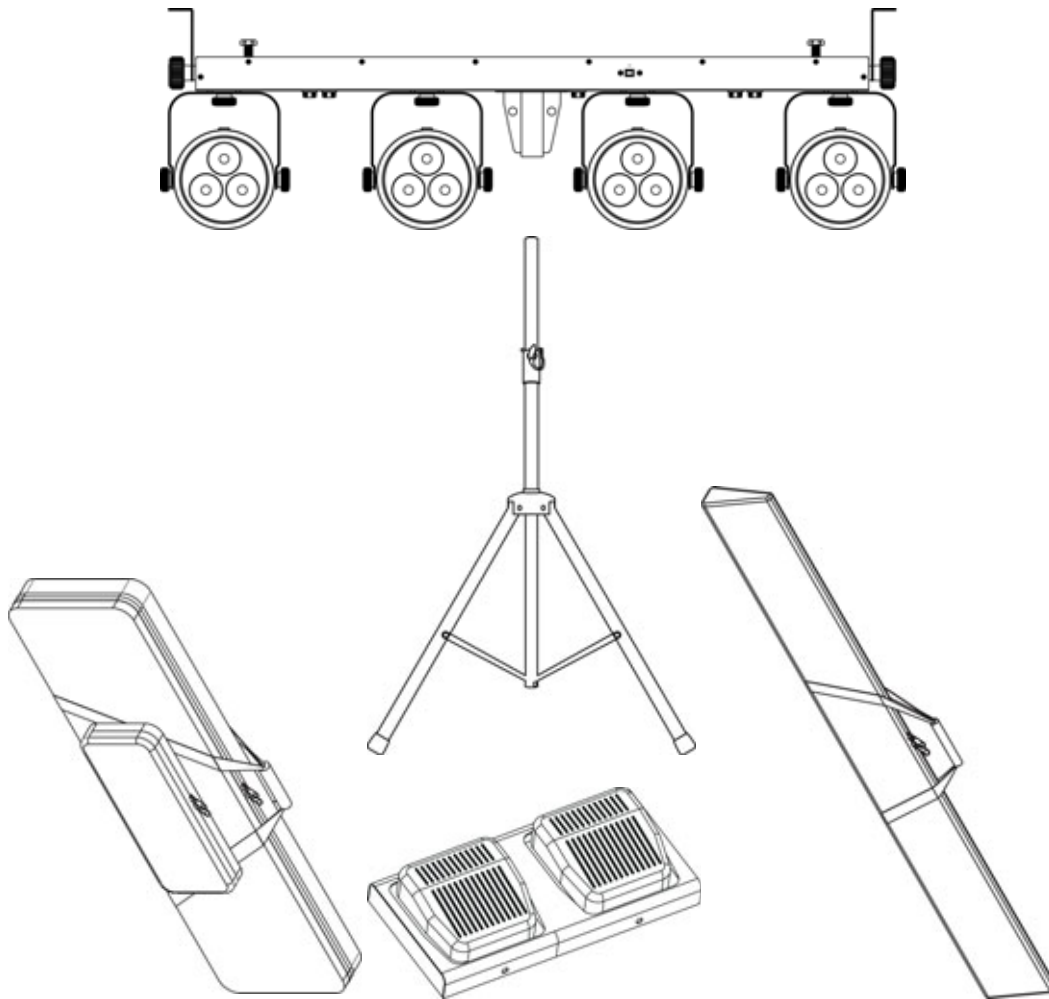


# 4BAR LT

## USB

### User Manual



**TABLE OF CONTENTS**

<b>1. Before You Begin .....</b>	<b>1</b>
What Is Included .....	1
Unpacking Instructions.....	1
Claims .....	1
Text Conventions .....	1
Symbols .....	1
Disclaimer .....	1
Product at a Glance .....	2
Safety Notes.....	2
<b>2. Introduction .....</b>	<b>3</b>
Product Overview.....	3
Product Dimensions .....	4
<b>3. Setup .....</b>	<b>5</b>
AC Power .....	5
Fuse Replacement.....	5
Mounting .....	6
Orientation.....	6
Rigging.....	6
<b>4. Operation .....</b>	<b>7</b>
Control Panel Operation.....	7
Foot-switch Connection.....	7
Menu Map .....	8
Configuration (DMX) .....	8
Configuration (DMX) .....	8
DMX Personality and Starting Address.....	8
D-Fi USB Connectivity .....	9
Configuration (D-Fi USB) .....	9
DMX Channel Assignments and Values .....	10
Configuration (Standalone) .....	11
Preset Colors .....	11
Automatic Programs.....	11
Program Speed .....	11
Sound-Active Mode.....	11
Sound Sensitivity.....	11
RGB Color Mixing .....	11
IRC-6 Infrared Remote Control .....	12
IRC-6 Operation .....	12
Master/Slave Mode .....	13
<b>Slave products:</b> .....	13
<b>Master product:</b> .....	13
Master/Slave Mode (D-Fi USB).....	13
Slave products: .....	13
Master product: .....	13
<b>5. Maintenance .....</b>	<b>14</b>
Product Maintenance .....	14
<b>6. Technical Specifications .....</b>	<b>15</b>
Returns.....	16
Contact Us .....	17

# 1. BEFORE YOU BEGIN

## What Is Included

- 4Bar LT USB
- Power cord
- Carrying bags
- Tripod
- Wired Footswitch
- Warranty card
- Quick Reference Guide

## Unpacking Instructions

Carefully unpack the product immediately and check the container to make sure all the parts are in the package and are in good condition.

## Claims





If the box or the contents (the product and included accessories) appear damaged from shipping, or show signs of mishandling, notify the carrier immediately, not Chauvet. Failure to report damage to the carrier immediately may invalidate your claim. In addition, keep the box and contents for inspection.

For other issues, such as missing components or parts, damage not related to shipping, or concealed damage, file a claim with Chauvet within 7 days of delivery.

## Text Conventions

CONVENTION	MEANING
<b>1–512</b>	A range of values
<b>50/60</b>	A set of values of which only one can be chosen
<b>Settings</b>	A menu option not to be modified
<b>&lt;ENTER&gt;</b>	A key to be pressed on the product's control panel
<b>ON</b>	A value to be entered or selected

## Symbols

SYMBOL	MEANING
	Electrical warning. Not following these instructions may cause electrical damage to the product, accessories, or the user.
	Critical installation, configuration, or operation information. Not following these instructions may make the product not work, cause damage to the product, or cause harm to the operator.
	Important installation or configuration information. The product may not function correctly if this information is not used.
	Useful information.

## Disclaimer

Chauvet believes that the information contained in this manual is accurate in all respects. However, Chauvet assumes no responsibility and specifically disclaims any and all liability to any party for any loss, damage or disruption caused by any errors or omissions in this document, whether such errors or omissions result from negligence, accident or any other cause. Chauvet reserves the right to revise the content of this document without any obligation to notify any person or company of such revision, however, Chauvet has no obligation to make, and does not commit to make, any such revisions. Download the latest version from [www.chauvetdj.com](http://www.chauvetdj.com).

The works of authorship contained in this manual, including, but not limited to, all design, text and images are owned by Chauvet.

© Copyright 2016 Chauvet & Sons, Inc. All rights reserved.

Electronically published by Chauvet in the United States of America.

CHAUVET, the Chauvet logo, and 4Bar LT USB are registered trademarks or trademarks of Chauvet & Sons LLC. (d/b/a Chauvet and Chauvet Lighting) in the United States and other countries. Other company and 4Bar LT USBs and logos referred to herein may be trademarks of their respective companies.

### Product at a Glance

Use on Dimmer	⊘	Auto Programs	✓
Outdoor Use	⊘	Auto-ranging Power Supply	✓
Sound-Active	✓	Replaceable Fuse	✓
DMX	✓	User-Serviceable	⊘
Master/Slave	⊘		

### Safety Notes



- Always connect the product to a grounded circuit to avoid the risk of electrocution.
- Always disconnect the product from the power source before cleaning or replacing the fuse.
- Avoid direct eye exposure to the light source while the product is on.
- Make sure the power cord is not crimped or damaged.
- Never disconnect the product from power cord by pulling or tugging on the cord.
- If mounting the product overhead, always secure to a fastening device using a safety cable.
- Make sure there are no flammable materials close to the product when operating.
- Do not touch the product's housing when operating because it may be very hot.



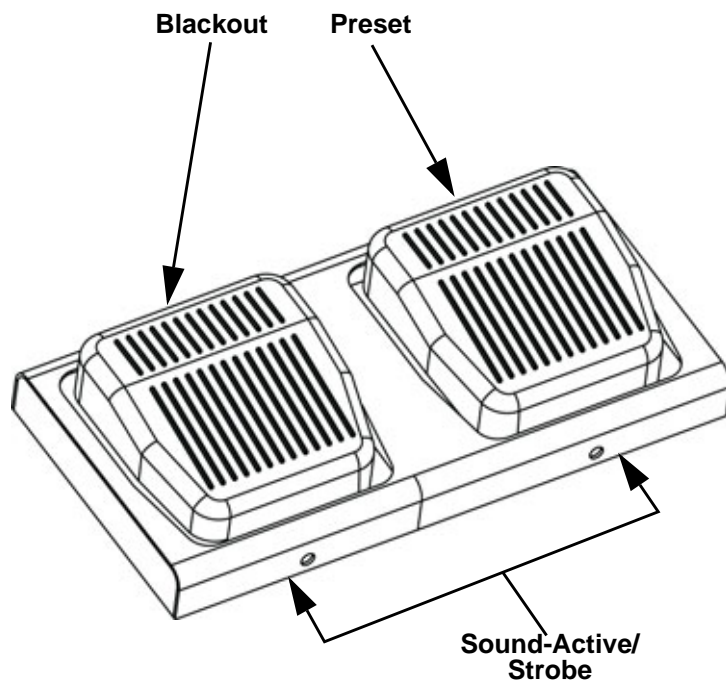
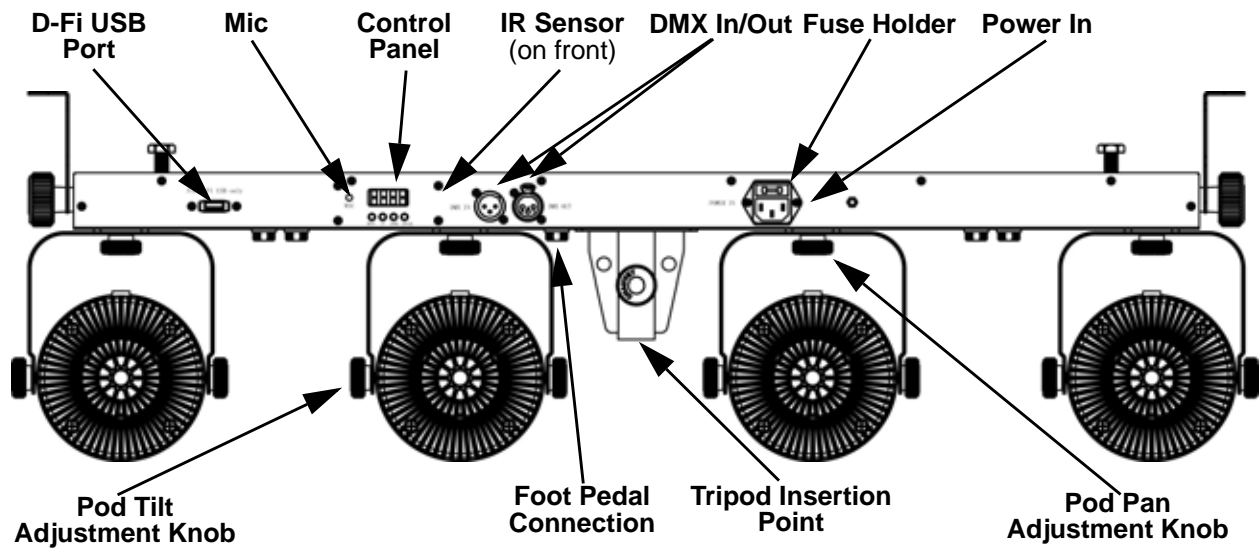
- Always make sure that the voltage of the outlet to which you are connecting the product is within the range stated on the decal or rear panel of the product.
- The product is for indoor use only! (IP20) To prevent risk of fire or shock, do not expose the product to rain or moisture.
- Always install the product in a location with adequate ventilation, at least 20 in (50 cm) from adjacent surfaces.
- Be sure that no ventilation slots on the product's housing are blocked.
- Never connect the product to a dimmer.
- Make sure to replace the fuse with another of the same type and rating.
- Never carry the product from the power cord or any moving part. Always use the hanging/ mounting bracket.
- The maximum ambient temperature (Ta) is 104 °F (40 °C). Do not operate the product at higher temperatures.
- In the event of a serious operating problem, stop using the product immediately.
- Never try to repair the product. Repairs carried out by unskilled people can lead to damage or malfunction. Please contact the nearest authorized technical assistance center.
- To eliminate unnecessary wear and improve its lifespan, during periods of non-use completely disconnect the product from power via breaker or by unplugging it.



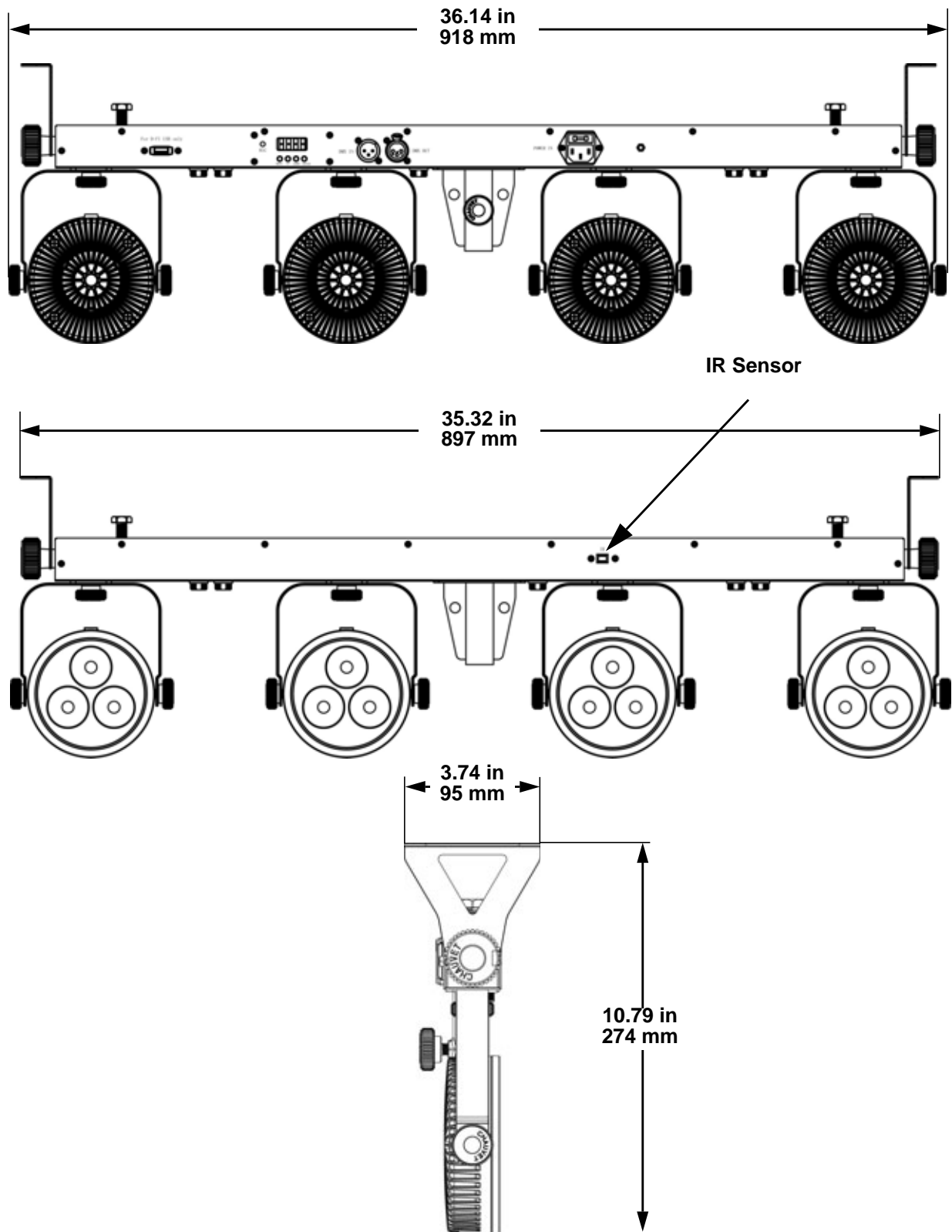
Keep this User Manual for future use. If you sell the product to someone else, be sure that they also receive this document.

## 2. INTRODUCTION

### Product Overview



**Product Dimensions**



### 3. SETUP

#### AC Power

The 4Bar LT USB has an auto-ranging power supply and it can work with an input voltage range of 100 to 240 VAC, 50/60 Hz. To determine the product's power requirements (circuit breaker, power outlet, and wiring), use the current value listed on the label affixed to the product's back panel, or refer to the product's specifications chart. The listed current rating indicates the product's average current draw under normal conditions.



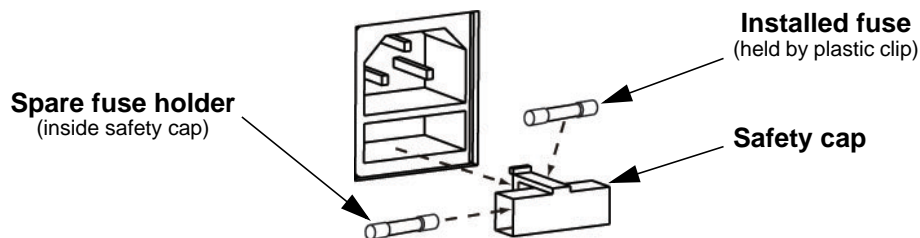
- **Always connect the product to a protected circuit (circuit breaker or fuse). Make sure the product has an appropriate electrical ground to avoid the risk of electrocution or fire.**
- **To eliminate unnecessary wear and improve its lifespan, during periods of non-use completely disconnect the product from power via breaker or by unplugging it.**



**Never connect the product to a rheostat (variable resistor) or dimmer circuit, even if the rheostat or dimmer channel serves only as a 0 to 100% switch.**

#### Fuse Replacement

1. Wedge the tip of a flat-head screwdriver into the slot of the fuse holder.
2. Pry the fuse holder out of the housing.
3. Remove the blown fuse from the holder and replace with a fuse of the exact same type and rating.
4. Insert the fuse holder back in place and reconnect power.



**Disconnect the product from the power outlet before replacing the fuse.**

## Mounting

Before mounting the product, read and follow the safety recommendations indicated in the [Safety Notes](#).

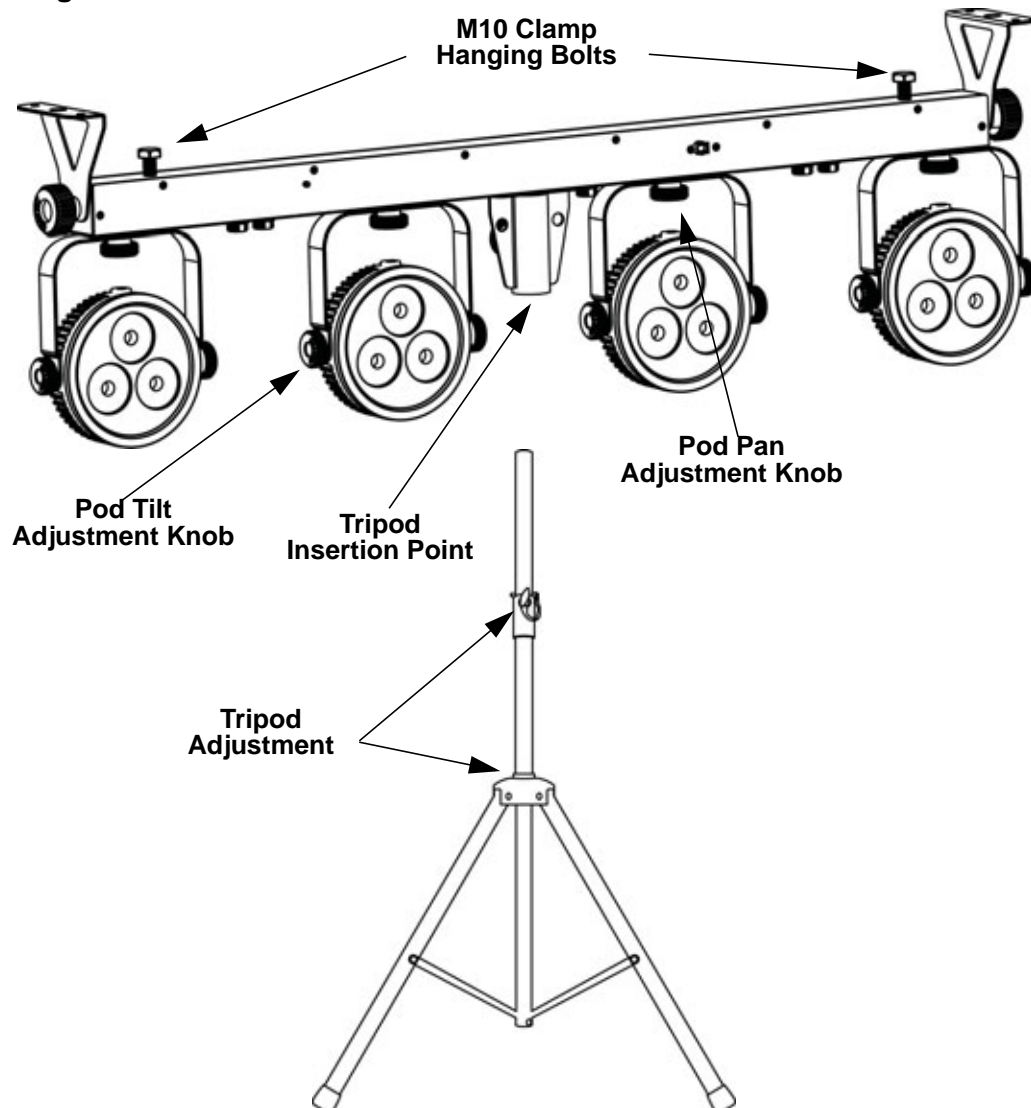
### Orientation

The 4Bar LT USB may be mounted in any position; however, make sure adequate ventilation is provided around the product.

### Rigging

- Before deciding on a location for the product, always make sure there is easy access to the product for maintenance and programming purposes.
- Make sure that the structure onto which you are mounting the product can support the product's weight. See the [Technical Specifications](#) for weight information.
- When mounting the product overhead, always use a safety cable. Mount the product securely to a rigging point, whether an elevated platform or a truss.
- When rigging the product onto a truss, use a mounting clamp of appropriate weight capacity.
- When power linking multiple products, mount the products close enough for power linking cables to reach.
- The bracket adjustment knobs allow for directional adjustment when aiming the product to the desired angle. Only loosen or tighten the bracket knobs manually. Using tools could damage the knobs.

### Mounting Diagram





## 4. OPERATION

### Control Panel Operation

To access the control panel functions, use the four buttons located underneath the display. Please refer to the [Product Overview](#) to see the button locations on the control panel.

BUTTON	FUNCTION
<MENU>	Press to find an operation mode or to back out of the current menu option
<UP>	Press to scroll up the list of options or to find a higher value
<DOWN>	Press to scroll down the list of options or to find a lower value
<ENTER>	Press to activate a menu option or a selected value

### Foot-switch Connection

The 4Bar LT USB can also be operated using the foot-switch.

PEDAL	SUB-OPTION	FUNCTION	PEDAL	SUB-OPTION	FUNCTION
<b>Right (preset)</b>	1 x press	White	<b>Right (preset)</b>	8 x press	Color change every second in a continuous loop
	2 x press	Red		9 x press	Color change every three seconds in a continuous loop
	3 x press	Green		Press and hold	Color change every three seconds in a continuous loop
	4 x press	Blue	<b>Left (Blackout)</b>	1 x press	All LEDs off; press pedal 1 or pedals 1 & 2 to re-enter active modes
	5 x press	Yellow		Press and hold	Fades LEDs in/out slowly
	6 x press	Magenta	<b>Both (Sound Active)</b>	Press both pedals simultaneously	Sound-active mode
	7 x press	Cyan		Press and hold both pedals simultaneously	Strobe

## Menu Map

MODE	PROGRAMMING LEVELS		DESCRIPTION
Dmx Mode	3-CH	d1-d512	Set the DMX starting address
	15CH		
Preset Colors	C--	C 1-C 7	Selects one of the preset colors (red, green, blue, cyan, magenta, yellow, or white)
Automatic Programs	Auto		Turns on Auto mode
Speed	S--	S 1-S100	Adjusts the speed of the automatic programs (fast to slow)
Sound-Active	Snd		The internal program runs to the beat of the music
Sound Sensitivity	Sens	u 1-u100	Turns on and adjusts the sensitivity of the Sound active mode (low to high)
RGB Color Mixing	U--	r 0-r100	Adjust the red, green, and blue levels to create a custom color
		g 0-g100	
		b 0-b100	
Infrared Mode	Set	ON	Turns on Infrared mode for IRC-6 remote use
		OFF	

## Configuration (DMX)

The 4Bar LT USB works with a DMX controller. Information about DMX is in the CHAUVET DMX Primer, which is available from the Chauvet website [www.chauvetdj.com](http://www.chauvetdj.com).

### Configuration (DMX)

Set the product in DMX mode to control with a DMX controller.

1. Connect the product to a suitable power outlet.
2. Connect a DMX cable from the DMX output of the DMX controller to the DMX input socket on the product.

### DMX Personality and Starting Address

When selecting a starting DMX address, always consider the number of DMX channels the selected DMX mode uses. If you choose a starting address that is too high, you could restrict the access to some of the product's channels. The 4Bar LT USB uses up to 15 DMX channels in a 15CH DMX mode, which defines the highest configurable address to **498**.

If you are not familiar with the DMX protocol, download the DMX Primer from [www.chauvetdj.com](http://www.chauvetdj.com).

To select the starting address, do the following:

1. Press **<MENU>** repeatedly until **3-CH** or **15CH** shows on the display.
2. Press **<ENTER>** and **d---** will show on the display.
3. Use **<UP>** or **<DOWN>** to select the starting address.
4. Press **<ENTER>**.

### D-Fi USB Connectivity

The 4Bar LT USB is able to become a D-Fi wireless receiver/transmitter with the use of the D-Fi USB from Chauvet DJ. Simply set the product's DMX Personality and DMX Address, set the DIP switch D-Fi receiving/transmitting channel, then plug it into the D-Fi USB port.



**WARNING! DO NOT plug anything other than a D-Fi USB into the USB port. Doing so may cause damage to the product.**

Once plugged in, the D-Fi USB will take over the product. Wired DMX, manual display control/menu buttons and IRC-6 will be unavailable until you unplug the D-Fi USB. The priority levels are:

1. D-Fi USB
2. Wired DMX
3. RC-6 Remote Control
4. Manual Digital Display/Menu Buttons

### Configuration (D-Fi USB)

1. Set the DMX Personality and DMX address on your product.
2. Use the Chart provided to set BOTH:
  - ◆ The Channel
  - ◆ The Receiving or Transmitting option

	1	2	3	4	T/R
Channel 1					
Channel 2					
Channel 3					
Channel 4					
Channel 5					
Channel 6					
Channel 7					
Channel 8					
Channel 9					
Channel 10					
Channel 11					
Channel 12					
Channel 13					
Channel 14					
Channel 15					
Channel 16					

**Receiving**

	1	2	3	4	T/R
Channel 1					
Channel 2					
Channel 3					
Channel 4					
Channel 5					
Channel 6					
Channel 7					
Channel 8					
Channel 9					
Channel 10					
Channel 11					
Channel 12					
Channel 13					
Channel 14					
Channel 15					
Channel 16					

**Transmitting**

**DMX Channel Assignments and Values**

15CH

CHANNEL	FUNCTION	VALUE	PERCENT/SETTING
1	Control Operating Mode	000 ⇔ 009	RGB Color Mixing
		010 ⇔ 029	Auto Program 1
		030 ⇔ 049	Auto Program 2
		050 ⇔ 069	Auto Program 3
		070 ⇔ 089	Auto Program 4
		090 ⇔ 109	Auto Program 5
		110 ⇔ 129	Auto Program 6
		130 ⇔ 149	Auto Program 7
		150 ⇔ 169	Auto Program 8
		170 ⇔ 189	Auto Program 9
		190 ⇔ 209	Auto Program 10
		210 ⇔ 229	Auto Program 11
		230 ⇔ 249	Auto Program 12
		250 ⇔ 255	Sound-Active Mode
2	Dimmer	000 ⇔ 255	0-100%
3	Strobe	000 ⇔ 009	No Function
		010 ⇔ 255	Slow to Fast
	Auto Speed	000 ⇔ 255	Auto Speed (slow to fast)
	Sound Sensitivity	000 ⇔ 010	Sound Sensitivity OFF
		011 ⇔ 255	Adjust Sensitivity
4	Red	000 ⇔ 255	0-100%
5	Green	000 ⇔ 255	0-100%
6	Blue	000 ⇔ 255	0-100%
7	Red	000 ⇔ 255	0-100%
8	Green	000 ⇔ 255	0-100%
9	Blue	000 ⇔ 255	0-100%
10	Red	000 ⇔ 255	0-100%
11	Green	000 ⇔ 255	0-100%
12	Blue	000 ⇔ 255	0-100%
13	Red	000 ⇔ 255	0-100%
14	Green	000 ⇔ 255	0-100%
15	Blue	000 ⇔ 255	0-100%

### 3-CH

CHANNEL	FUNCTION	VALUE	PERCENT/SETTING
1	Red	000 ⇔ 255	0-100%
2	Green	000 ⇔ 255	0-100%
3	Blue	000 ⇔ 255	0-100%

### Configuration (Standalone)

Set the product in one of the standalone modes to control without a DMX controller.



**Never connect a product that is operating in any standalone mode to a DMX string connected to a DMX controller. Products in standalone mode may transmit DMX signals that could interfere with the DMX signals from the controller.**

### Preset Colors

To run the 4Bar LT USB in Preset Color mode, follow the instructions below:

1. Press **<MENU>** repeatedly until **C--** shows on the display.
2. Press **<ENTER>**.
3. Use **<UP>** or **<DOWN>** to select **C 1–C 7**.
4. Press **<ENTER>**.

### Automatic Programs

To run the 4Bar LT USB in automatic mode, follow the instructions below:

1. Press **<MENU>** repeatedly until **Auto** shows on the display.
2. Press **<ENTER>**.

### Program Speed

To change the auto program speed, follow the instructions below :

1. Press **<MENU>** repeatedly until **S--** shows on the display.
2. Press **<ENTER>** and **S 1- S100** will show on the display:
3. Use **<UP>** or **<DOWN>** to increase or decrease the speed.
4. Press **<ENTER>**.

### Sound-Active Mode

To run the 4Bar LT USB in Sound-Active mode, do the following:

1. Press **<MENU>** repeatedly until **Snd** shows on the display.
2. Press **<ENTER>**

### Sound Sensitivity

To change the sound sensitivity, follow the instructions below:

1. Press **<MENU>** repeatedly until **Sens** shows on the display.
2. Press **<ENTER>** and **u 1- u100** will show on the display:
3. Use **<UP>** or **<DOWN>** to increase or decrease the sensitivity.
4. Press **<ENTER>**.

### RGB Color Mixing

To custom mix a color, do the following:

1. Press **<MENU>** repeatedly until **U--** shows on the display.
2. Press **<ENTER>** and one of the following will show on the display:
  - ◆ **rxxx** (red)
  - ◆ **gxxx** (green)
  - ◆ **bxxx** (blue)
3. Press **<ENTER>** to cycle through the color settings.
4. When the desired color shows on the display, use **<UP>** or **<DOWN>** to increase or decrease the color value.
5. Repeat steps 3 and 4 until the product outputs as desired.

## IRC-6 Infrared Remote Control

The 4Bar LT USB is compatible with the IRC-6 infrared remote control from Chauvet. To activate IR mode, follow the instructions below:

1. Press **<MENU>** repeatedly until **Set** shows on the display.
2. Press **<ENTER>** to accept.
3. Press **<UP>** or **<DOWN>** to select **On** or **OFF**.
4. Press **<ENTER>**.

## IRC-6 Operation



### Automatic Mode

Automatic mode will enable you to run the automatic program on the product.

To turn on Automatic mode:

- Press **<AUTO>** on the IRC-6.

To adjust the speed of the automatic program:

1. Press **<SPEED>** on the IRC-6.
2. Press **<+>** or **<->** to increase or decrease the speed of the program.

### Sound-Active Mode

Sound-Active mode will enable the product to respond to the music.

To turn on Sound-Active mode:

- Press **<SOUND>** on the IRC-6.

To adjust sound sensitivity in Sound-Active mode:

1. Press **<SENSITIVITY>** on the IRC-6.
2. Press **<+>** or **<->** to increase or decrease the sound sensitivity.

### Manual Color Control

To choose a specific color with the IRC-6:

1. Press **<MANUAL>** on the IRC-6.
2. Press any number between **<0>**–**<9>** to choose your color.

To manually control the RGB percentage:

1. Press **<MANUAL>** on the IRC-6.
2. Press **<R>** (red), **<G>** (green), or **<B>** (blue) to choose your color.
3. Press **<+>** or **<->** to increase or decrease the value of each color.

### Miscellaneous Operation

To adjust the total output level:

1. Press **<%>** on the IRC-6.
2. Press **<+>** or **<->** to increase or decrease the output level.

To adjust the strobe rate of the program:

1. Press **<STROBE>** on the IRC-6.
2. Press **<+>** or **<->** to increase or decrease the strobe rate.
3. Press **<STROBE>** again to turn off the strobe.

To select only fading programs:

- Press **<FADE>** on the IRC-6.

To black out the lights:

- Press **<BLACK OUT>** on the IRC-6.

This will turn off all the lights until the button is pressed again.

**NOTE:** The IRC-6 will not respond to any inputs when Black Out is activated. If the remote does not respond when a button is pressed, try pressing **<BLACK OUT>**. You may have inadvertently activated Black Out.

## Master/Slave Mode

The Master/Slave mode allows a single 4Bar LT USB product (the “master”) to control the actions of one or more 4Bar LT USB products (the “slaves”) without the need of a DMX controller. The master product will be set to operate in either Stand-Alone mode or with the IRC-6, while the slave products will be set to operate in Slave mode. Once set and connected, the slave products will operate in unison with the master product. Configure the products as indicated below.

### Slave products:

1. Press **<MENU>** repeatedly until **3-CH** or **15CH** shows on the display.
2. Press **<ENTER>** to accept.
3. Set the DMX address to **d-1**.
4. Connect the DMX input of the first slave product to the DMX output of the master product.
5. Connect the DMX input of the subsequent slave products to the DMX output of the previous slave product.
6. Finish setting and connecting all the slave products.

### Master product:

1. Set the master product to operate in Automatic or Sound-Active mode.
2. Make the master product the first product in the DMX daisy chain.
  - **Configure all the slave products before connecting the master to the daisy chain.**
  - **Never connect a DMX controller to a DMX string configured for Master/Slave operation because the controller may interfere with the signals from the master.**
  - **Do not connect more than 31 slaves to the master.**



## Master/Slave Mode (D-Fi USB)

The D-Fi USB allows a single 4Bar LT USB product (the master) to control the actions of one or more 4Bar LT USB products (the slaves) without the need of a DMX controller or DMX cables. The master (transmitter) product will be set to operate in either standalone mode or with the footswitch, while the slave (receiver) products will be set to operate in Slave mode. Once set and connected, the slave products will operate in unison with the master product.

Configure the products as indicated below:

### Slave products:

1. Press **<MENU>** repeatedly until **3-CH** or **15CH** shows on the display.
2. Press **<ENTER>** to accept.
3. Set the DMX address to **d-1**.
4. Set D-Fi USB to receive on a specific channel, **1–16**.
5. Plug in the D-Fi USB.
6. Finish setting and configuring all the slave products.

### Master product:

1. Press **<MENU>** repeatedly until the DMX personality the slaves are set to shows on the display.
2. Press **<ENTER>** to accept.
3. Set the DMX address to **d-1**.
4. Set the master to operate in either Automatic or Sound-Active mode.
5. Set the D-Fi USB to transmit on the D-Fi channel the slaves are receiving on.
6. Plug in the D-Fi USB.



- **All products must be set to the same DMX personality, DMX address, and D-Fi channel.**
- **Configure all the slave products before configuring the master to transmit.**
- **Never connect a DMX controller to a D-Fi channel configured for Master/Slave operation because the controller may interfere with the signals from the master.**

## 5. MAINTENANCE

### Product Maintenance

Dust build-up reduces light output performance and can cause overheating. This can lead to reduction of the light source's life and/or mechanical wear. To maintain optimum performance and minimize wear, clean your lighting products at least twice a month. However, be aware that usage and environmental conditions could be contributing factors to increase the cleaning frequency.

To clean the product, follow the instructions below:

1. Unplug the product from power.
2. Wait until the product is at room temperature.
3. Use a vacuum (or dry compressed air) and a soft brush to remove dust collected on the external surface/vents.
4. Clean all transparent surfaces with a mild soap solution, ammonia-free glass cleaner, or isopropyl alcohol.
5. Apply the solution directly to a soft, lint free cotton cloth or a lens cleaning tissue.
6. Softly drag any dirt or grime to the outside of the transparent surface.
7. Gently polish the transparent surfaces until they are free of haze and lint.



**Always dry the transparent surfaces carefully after cleaning them.**



## 6. TECHNICAL SPECIFICATIONS

### Dimensions and Weight

ITEM	LENGTH	WIDTH	HEIGHT	WEIGHT
4Bar LT USB Stand	36.1 in (918 mm)	3.7 in (95 mm)	10.8 in (274 mm) 50~83 in. (127~211cm)	10.8 lb (4.9 kg)

**Note:** Dimensions in inches rounded to the nearest decimal digit.

### Power

POWER SUPPLY TYPE	RANGE	VOLTAGE SELECTION
Switching (internal)	100 to 240 VAC, 50/60 Hz	Auto-ranging
PARAMETER	120 V, 60 Hz	230 V, 50 Hz
Consumption	52 W	51 W
Operating Current	0.8 A	0.4 A
Fuse	T 1 A, 250 V	T 1 A, 250 V
POWER I/O	U.S./WORLDWIDE	UK/EUROPE
Power input connector	IEC	IEC
Power output connector	Edison	IEC
Power Cord plug	Edison (U.S.)	Local Plug

### Light Source

TYPE	POWER	LIFESPAN
LED	9 W	50,000 hours
COLOR	QUANTITY	CURRENT
tri-color RGB	12	1.2 A

### Photometrics

PARAMETER	VALUE
Strobe Rate	0 to 22 Hz
Beam Angle	16°
Field Angle	24°
Illuminance @ 2 m	2,053 lux

### Thermal

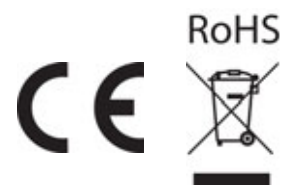
MAXIMUM EXTERNAL TEMPERATURE	COOLING SYSTEM
104 °F (40 °C)	Convection

### DMX

I/O CONNECTOR	CHANNEL RANGE
3-pin XLR	3 or 15

### Ordering

PRODUCT NAME	ITEM CODE	UPC NUMBER
4Bar LT USB	03031205	781462215538



## Returns

In case you need to get support or return a product:

- If you are located in the U.S., contact Chauvet World Headquarters.
- If you are located in the UK or Ireland, contact Chauvet Europe Ltd.
- If you are located in Mexico, contact Chauvet Mexico.
- If you are located in Benelux, contact Chauvet Europe BVBA.
- If you are located in any other country, DO NOT contact Chauvet. Instead, contact your local distributor. See [www.chauvetdj.com](http://www.chauvetdj.com) for distributors outside the U.S., UK, Ireland, Mexico, or Benelux.



**If you are located outside the U.S., UK, Ireland, Mexico, or Benelux, contact your distributor of record and follow their instructions on how to return Chauvet products to them. Visit our website [www.chauvetdj.com](http://www.chauvetdj.com) for contact details.**

Call the corresponding Chauvet Technical Support office and request a Return Merchandise Authorization (RMA) number before shipping the product. Be prepared to provide the model number, serial number, and a brief description of the cause for the return.

Send the merchandise prepaid, in its original box, and with its original packing and accessories. Chauvet will not issue call tags.

Clearly label the package with the RMA number. Chauvet will refuse any product returned without an RMA number.



**Write the RMA number on a properly affixed label. DO NOT write the RMA number directly on the box.**

Before sending the product, clearly write the following information on a piece of paper and place it inside the box:

- Your name
- Your address
- Your phone number
- RMA number
- A brief description of the problem

Be sure to pack the product properly. Any shipping damage resulting from inadequate packaging will be your responsibility. FedEx packing or double-boxing are recommended.



**Chauvet reserves the right to use its own discretion to repair or replace returned product(s).**

## Contact Us

World Headquarters	
General Information	Technical Support
Address: 5200 NW 108th Ave. Sunrise, FL 33351 Voice: (954) 577-4455 Fax: (954) 929-5560 Toll Free: (800) 762-1084	Voice: (954) 577-4455 (Press 4) Fax: (954) 756-8015 Email: <a href="mailto:tech@chauvetlighting.com">tech@chauvetlighting.com</a>
	Website
	<a href="http://www.chauvetlighting.com">www.chauvetlighting.com</a>
EUROPE	
General Information	Technical Support
Address: Stokstraat 18 9770 Kruishoutem Belgium Voice: +32 9 388 93 97	Email: <a href="mailto:eutech@chauvetlighting.eu">eutech@chauvetlighting.eu</a>
	Website
	<a href="http://www.chauvetlighting.eu">www.chauvetlighting.eu</a>
General Information	
General Information	Technical Support
Address: Unit 1C Brookhill Road Industrial Estate Pinxton, Nottingham, UK NG16 6NT Voice: +44 (0) 1773 511115 Fax: +44 (0) 1773 511110	Email: <a href="mailto:uktech@chauvetlighting.com">uktech@chauvetlighting.com</a>
	Website
	<a href="http://www.chauvetlighting.co.uk">www.chauvetlighting.co.uk</a>
MEXICO	
General Information	Technical Support
Address: Av. Santa Ana 30 Lerma, Mexico C.P. 52000 Voice: +52 (728) 285-5000	Email: <a href="mailto:servicio@chauvet.com.mx">servicio@chauvet.com.mx</a>
	Website
	<a href="http://www.chauvet.com.mx">www.chauvet.com.mx</a>

Outside the U.S., United Kingdom, Ireland, Mexico or Benelux, contact the dealer of record. Follow the instructions to request support or to return a product. Visit our website for contact details.