

fire *bird*™ LED

User Manual

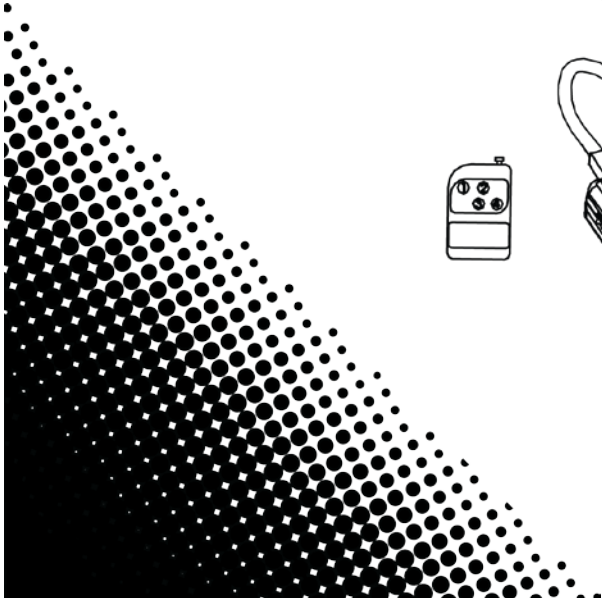
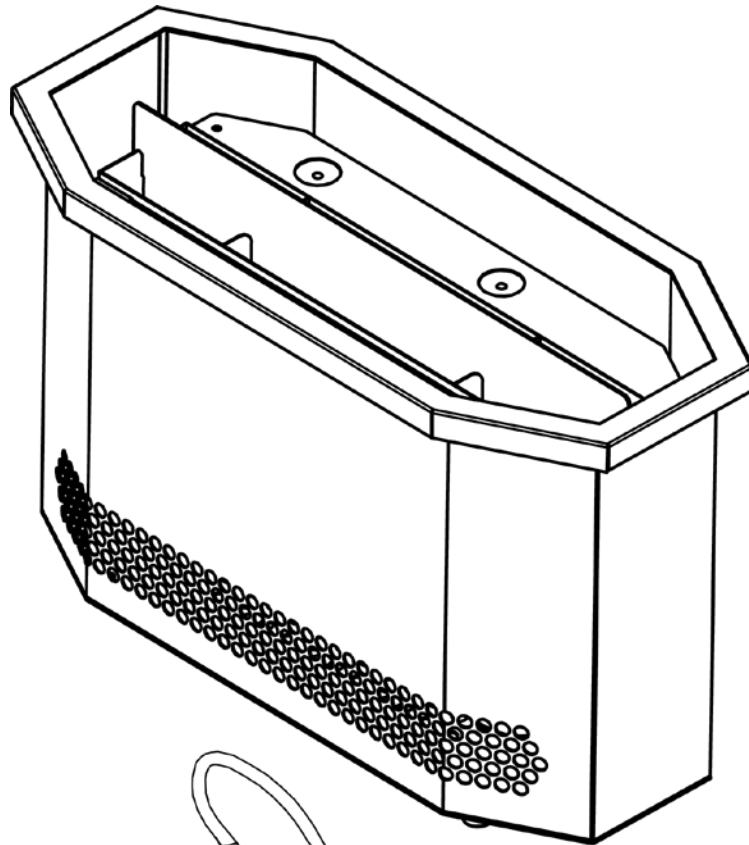


TABLE OF CONTENTS

1. Before You Begin	3
What Is Included	3
Unpacking Instructions	3
Claims.....	3
Text Conventions	3
Symbols	3
Disclaimer	3
Product at a Glance	4
Safety Notes.....	4
2. Introduction	5
Product Overview	5
Product Dimensions	6
3. Setup	7
AC Power	7
Fuse Replacement.....	7
Replacing the Silk	7
4. Operation	8
Control Panel Operation.....	8
Menu Map	8
DMX Linking.....	8
Configuration (DMX)	8
Starting Address	8
DMX Channel Assignments and Values	9
9 Channel Mode	9
Configuration (Standalone)	9
Wireless Remote Control.....	9
Programmable Color Selection.....	10
Color Chart	10
Control from the Display	10
5. Maintenance	11
Product Maintenance	11
6. Technical Specifications	12
Returns.....	13
Contact Us	14

1. BEFORE YOU BEGIN

What Is Included

- Firebird™ LED
- Silk Simulated-Flame
- Silk Attachment Plate
- Power Cord
- Geyser™ wireless remote control
- Geyser™ wireless remote receiver
- Warranty Card
- Quick Reference Guide

Unpacking Instructions

Carefully unpack the product immediately and check the container to make sure all the parts are in the package and are in good condition.

Claims




If the box or the contents (the product and included accessories) appear damaged from shipping, or show signs of mishandling, notify the carrier immediately, not Chauvet. Failure to report damage to the carrier immediately may invalidate your claim. In addition, keep the box and contents for inspection.

For other issues, such as missing components or parts, damage not related to shipping, or concealed damage, file a claim with Chauvet within 7 days of delivery.

Text Conventions

Convention	Meaning
1—512	A range of values
50/60	A set of values of which only one can be chosen
Settings	A menu option not to be modified
Menu > Settings	A sequence of menu options to be followed
<ENTER>	A key to be pressed on the product's control panel
ON	A value to be entered or selected

Symbols

Symbol	Meaning
	Critical installation, configuration, or operation information. Not following these instructions may make the product not work, cause damage to the product, or cause harm to the operator.
	Important installation or configuration information. The product may not function correctly if this information is not used.
	Useful information.

Disclaimer

The information and specifications contained in this document are subject to change without notice. Chauvet assumes no responsibility or liability for any errors or omissions that may appear in this manual. Chauvet reserves the right to update the existing document or to create a new document to correct any errors or omissions.

You can download the latest version of this document from www.chauvetlighting.com.

© Copyright 2015 Chauvet. All rights reserved.

Electronically published by Chauvet in the United States of America.

Author	Date	Editor	Updated
R. Isenstadt	02/06/15	A. Leon	02/19/15

Product at a Glance

Use on Dimmer	X	Auto Programs	P
Outdoor Use	X	Auto-ranging Power Supply	X
Sound-Active	X	Replaceable Fuse	P
DMX	P	User-Serviceable	X
Master/Slave	X		

Safety Notes

Please read the following Safety Notes carefully before working with the product. The Notes include important safety information about installation, usage, and maintenance.



- For safety reasons, Chauvet does not recommend mounting the product in any capacity. Operate the product while it is on the ground ONLY.
- Always connect the product to a grounded circuit to avoid the risk of electrocution.
- Always disconnect the product from the power source before cleaning or replacing the fuse.
- Avoid direct eye exposure to the light source while the product is on.
- Make sure the power cord is not crimped or damaged.
- Never disconnect the product from power cord by pulling or tugging on the cord.
- Make sure there are no flammable materials close to the product when operating.
- Do not touch the product's housing when operating because it may be very hot.



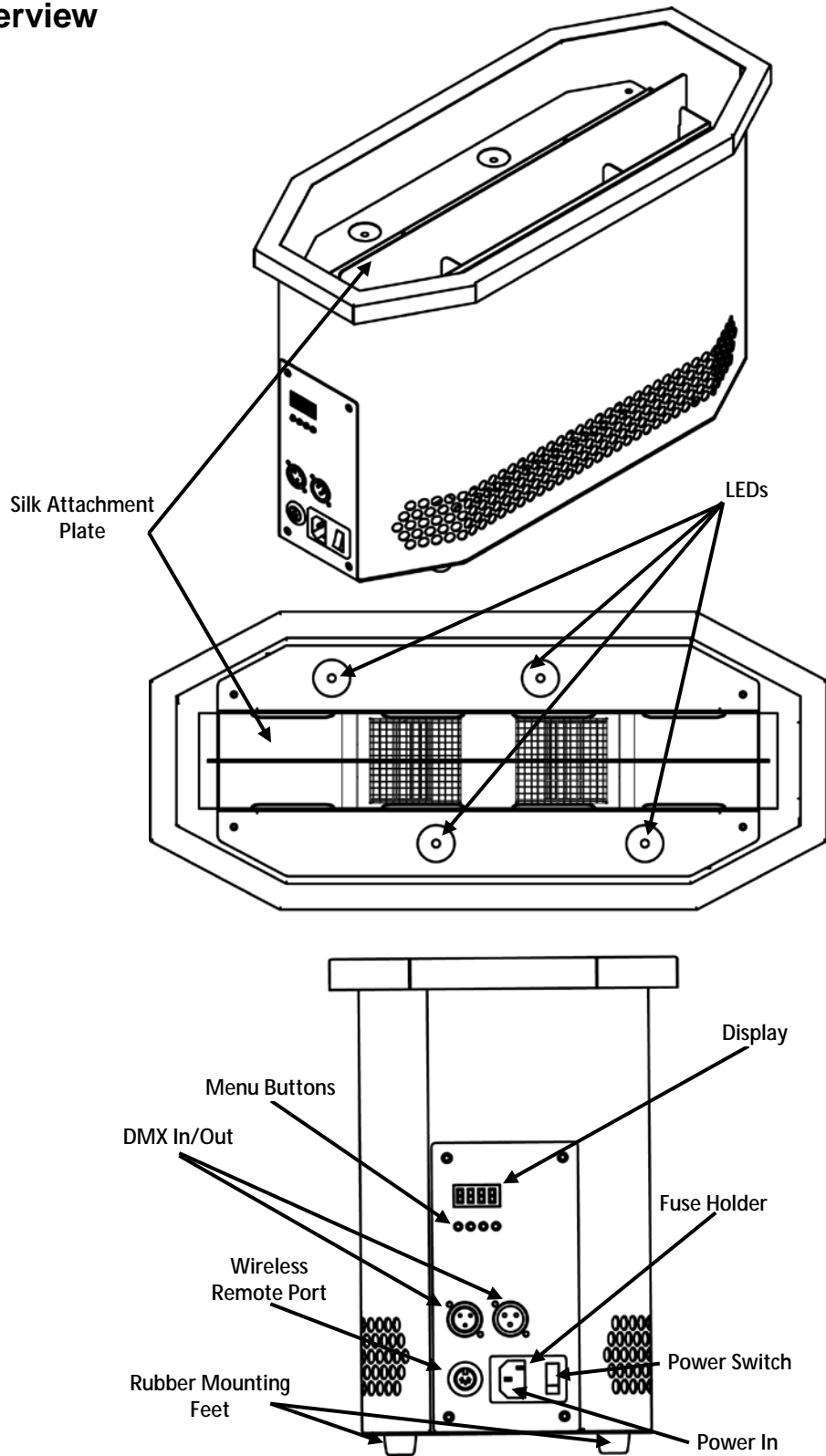
- The product is not intended for permanent installation.
- Always make sure that the voltage of the outlet to which you are connecting the product is within the range stated on the decal or rear panel of the product.
- The product is for indoor use only! (IP20) To prevent risk of fire or shock, do not expose the product to rain or moisture.
- Always install the product in a location with adequate ventilation, at least 20 in (50 cm) from adjacent surfaces.
- Be sure that no ventilation slots on the product's housing are blocked.
- Never connect the product to a dimmer or rheostat.
- Make sure to replace the fuse with another of the same type and rating.
- Never carry the product from the power cord or any moving part. Always carry by the base of the product.
- The maximum ambient temperature (Ta) is 104 °F (40 °C). Do not operate the product at higher temperatures.
- In the event of a serious operating problem, stop using the product immediately.
- Never try to repair the product. Repairs carried out by unskilled people can lead to damage or malfunction. Please contact the nearest authorized technical assistance center.
- To eliminate unnecessary wear and improve its lifespan, during periods of non-use completely disconnect the product from power via breaker or by unplugging it.



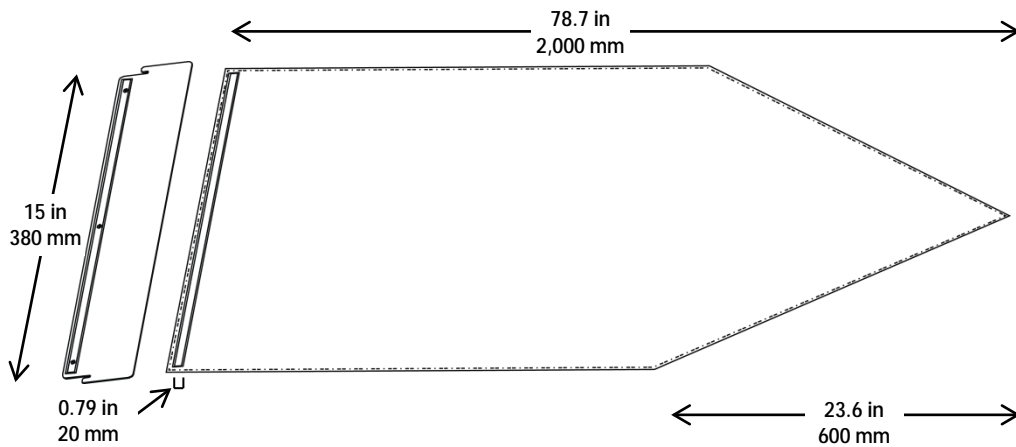
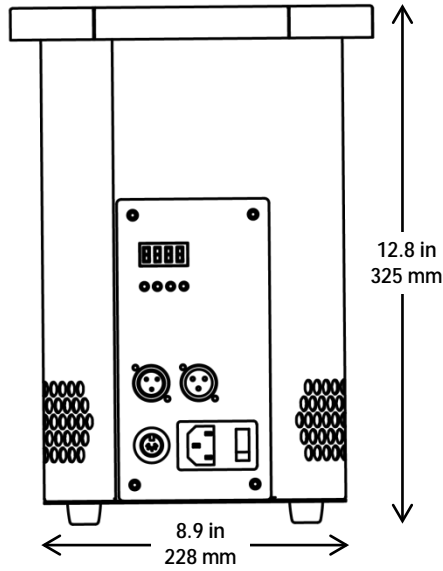
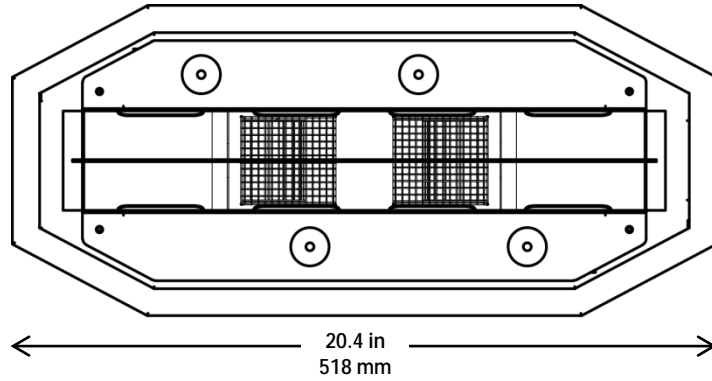
- Keep this User Manual for future use. If you sell the product to someone else, be sure that they also receive this document.

2. INTRODUCTION

Product Overview



Product Dimensions



When the product is running, the imitation flame silk flaps to simulate a flame; consequently, the silk might not extend fully to 2 m in length.

3. SETUP

AC Power The Firebird™ LED has a fixed power supply that works with either a voltage of 120 VAC, 60 Hz or 240 VAC, 50 Hz.



Always connect the product to a protected circuit (circuit breaker or fuse). Make sure the product has an appropriate electrical ground to avoid the risk of electrocution or fire.

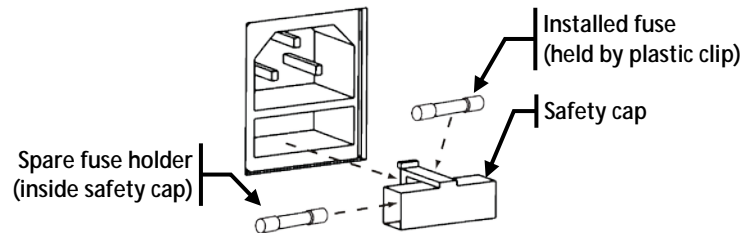
To eliminate unnecessary wear and improve its lifespan, during periods of non-use completely disconnect the product from power via breaker or by unplugging it.



Never connect the product to a rheostat (variable resistor) or dimmer circuit, even if the rheostat or dimmer channel serves only as a 0 to 100% switch.

Fuse Replacement

1. Wedge the tip of a flat-head screwdriver into the slot of the fuse holder.
2. Pry the fuse holder out of the housing.
3. Remove the blown fuse from the holder and replace with a fuse of the exact same type and rating.
4. Insert the fuse holder back in place and reconnect power.



Disconnect the product from the power outlet before replacing the fuse.



Ensure the imitation flame silk is completely unrolled before powering the product on.



Imitation flame silk may not be 2 m in length when product is running.

Replacing the Silk

The imitation flame silk will eventually become tattered from use. How long it lasts will depend on how often it is used and for how long.

For a replacement imitation flame silk, contact Chauvet Customer Service. See [Contact Us](#) in this User Manual.

Upon receiving a replacement silk, follow the instructions below to install it:

1. Carefully remove the tattered silk from the silk attachment plate by pulling on the hook and loop strip sewn into the silk. Be careful **ONLY** to remove the tape that is sewn into the silk.
2. Discard the old silk.
3. Align the hook and loop strip sewn into the new silk to the hook and loop strip on the silk attachment plate. The closer they are aligned, the stronger the attachment will be.

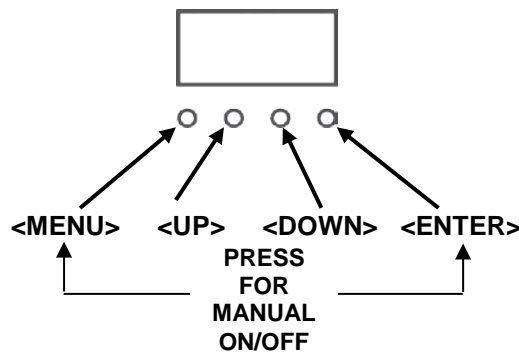
Note: Be careful not to damage or dirty the hook and loop tape on the silk attachment plate.

4. OPERATION

Control Panel Operation

To access the control panel functions, use the four buttons located underneath the display. Please refer to the [Product Overview](#) to see the display location on the control panel.

Button	Function
<MENU>	Exits from the current menu or function
<UP>	Navigates up through the menu or increases the selected numeric value
<DOWN>	Navigates down through the menu or decreases the selected numeric value
<ENTER>	Activates a menu option or a selected value
<MENU> and <ENTER>	Activates or deactivates the selection on CH-1 (pressed simultaneously)



Menu Map

Mode	Programming Steps		Description
Color Settings	CH-1-CH-4	Co 1-Co17	Selects preset colors, snap, or fade
DMX Address	Addr	001-512	Sets the DMX address

DMX Linking

The Firebird™ LED works with a DMX controller. Information about DMX is in the CHAUVET® DMX Primer, which is available from the Chauvet website http://www.chauvetlighting.com/downloads/DMX_Primer_rev05_WO.pdf.

Configuration (DMX)

Set the product in DMX mode to control with a DMX controller.

1. Connect the product to a suitable power outlet.
2. Connect a DMX cable from the DMX output of the DMX controller to the DMX input socket on the product.

Starting Address

When selecting a starting DMX address, always consider the number of DMX channels the selected DMX mode uses. If you choose a starting address that is too high, you could restrict the access to some of the product's channels.

The Firebird™ LED uses up to 9 DMX channels, which defines the highest configurable address as **504**.

If you are not familiar with the DMX protocol, download the DMX Primer from www.chauvetlighting.com.

To select the starting address, do the following:

1. Press <MENU> repeatedly until **Addr** shows on the display.
2. Press <ENTER> and **001-512** will show on the display.
3. Use <UP> or <DOWN> to select the starting address.
4. Press <ENTER>.

DMX Channel Assignments and Values

9 Channel Mode	Channel	Function	Value	Percent/Setting
1	Dimmer		000 009	Off
			010 255	0–100%
2	Red		000 009	Off
			010 255	0–100%
3	Green		000 009	Off
			010 255	0–100%
4	Blue		000 009	Off
			010 255	0–100%
5	Amber		000 009	Off
			010 255	0–100%
6	Color Macros		000 009	No function
			010 255	Manual color mixing (cycles macros 1–15)
7	Auto Program		000 009	No function
			010 255	Slow to fast
8	Strobe/Flame Flicker		000 009	No function
			010 245	Strobe, slow to fast
			246 255	Simulated flame flicker, slow to fast
9	Fan On/Off		000 009	Off
			010 255	On

Configuration (Standalone) Set the product in one of the standalone modes to control without a DMX controller.

1. Connect the product to a suitable power outlet.
2. Turn the product on using the power switch.



Never connect a product that is operating in any standalone mode to a DMX string connected to a DMX controller. Products in standalone mode may transmit DMX signals that could interfere with the DMX signals from the controller.

Wireless Remote Control To trigger the simulated flame and activate the color program using the wireless remote control, do the following:

1. Plug the wireless receiver into the Wireless Remote port on the side of the Firebird™ LED.
2. On the wireless transmitter, press the button assigned to the color program (1–4). The Firebird™ LED simulated flame will turn on and activate the selected color program.

Programmable Color Selection

To select either the preset color program or one preset color to illuminate the simulated flame using the wireless remote control, follow the instructions below:

1. Press **<MENU>** repeatedly until **CH-1–CH-4** shows on the display. Select **CH-1**, **CH-2**, **CH-3**, or **CH-4** to choose that color program.
Note: The color program numbers correspond with the numbered buttons on the wireless transmitter.
2. Press **<ENTER>**.
3. Use **<UP>** or **<DOWN>** to select **Co 1–Co17** (to choose one of fifteen preset colors; snap; or fade).
4. Press **<ENTER>**.
5. Repeat steps 1–4 to configure the other buttons.



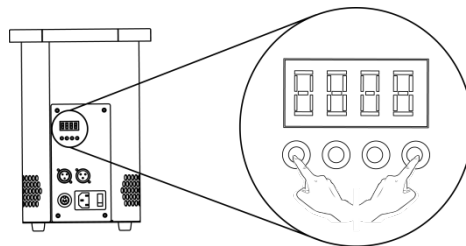
The Geyser™ Wireless Remote Control buttons 1–4 trigger the options set in the color programs menu, CH-1–CH-4 respectively.

Color Chart

Preset	Red	Green	Blue	Amber
Co 1	100%	0	0	0
Co 2	0	100%	0	0
Co 3	0	0	100%	0
Co 4	0	0	0	100%
Co 5	100%	100%	0	0
Co 6	100%	25%	0	0
Co 7	100%	0	0	100%
Co 8	100%	100%	0	100%
Co 9	100%	0	100%	0
Co10	100%	0	100%	100%
Co11	100%	0	25%	100%
Co12	100%	0	25%	0
Co13	0	100%	100%	0
Co14	0	25%	100%	0
Co15	100%	100%	100%	100%
Co16	Random Color mode (snap)			
Co17	Random Color mode (fade)			

Control from the Display

Press the **<MENU>** and **<ENTER>** buttons simultaneously to activate or deactivate the selection on **CH-1**.



The display will still show Addr while in Standalone mode.

5. MAINTENANCE

Product Maintenance

Dust build-up reduces light output performance and can cause overheating. This can lead to reduction of the light source's life and/or mechanical wear. To maintain optimum performance and minimize wear, clean your lighting products at least twice a month. However, be aware that usage and environmental conditions could be contributing factors to increase the cleaning frequency.

To clean the product, follow the instructions below:

1. Unplug the product from power.
2. Wait until the product is at room temperature.
3. Use a vacuum (or dry compressed air) and a soft brush to remove dust collected on the external surface/vents.
4. Clean all transparent surfaces with a mild soap solution, ammonia-free glass cleaner, or isopropyl alcohol.
5. Apply the solution directly to a soft, lint free cotton cloth or a lens cleaning tissue.
6. Softly drag any dirt or grime to the outside of the transparent surface.
7. Gently polish the transparent surfaces until they are free of haze and lint.



Always dry the transparent surfaces carefully after cleaning them.

6. TECHNICAL SPECIFICATIONS

Dimensions and Weight	Length	Width	Height	Weight
	20.4 in (518 mm)	8.9 in (228 mm)	12.8 in (325 mm)	22.2 lb (10.1 kg)

Imitation Flame Silk Dimensions	Length	Width	Tapered Length	Velcro Strip Width
	78.7 in (2,000 mm)	15 in (380 mm)	23.6 in (600 mm)	0.79 in (20 mm)

Note: Dimensions in inches rounded to the nearest decimal digit.

Power	Power Supply Type	Range	Voltage Selection
	Model-specific	120 VAC, 60 Hz or 230 VAC, 50 Hz	Fixed voltage

Parameter	120 V, 60 Hz	230 V, 50 Hz
Consumption	192 W	192 W
Operating Current	1.6 A	1 A
Fuse	F 2 A, 250 V	F 2 A, 250 V

Power I/O	U.S./Worldwide	UK/Europe
Power input connector	IEC	IEC
Power output connector	Edison	IEC
Power Cord plug	Edison (U.S.)	Local plug

Light Source	Type	Power	Lifespan
	LED	5 W	50,000 hours

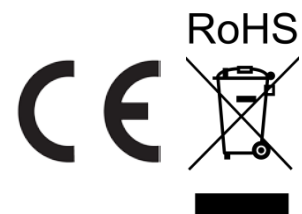
Color	Quantity	Current
Quad-color RGBA	4	1.8 A

Photometrics	Parameter	
	Strobe Rate	0 to 12 Hz
	Illuminance @ 2 m	1,109 lux

Thermal	Maximum External Temp.	Cooling System
	104 °F (40 °C)	Fan-assisted Convection

DMX	I/O Connectors	Channel Range
	3-pin XLR	9

Ordering	Product Name	Item Code	UPC Number
	Firebird™ LED	05050914 (120 V)	781462212629
		05050915 (230 V)	781462212636



Returns

To return a product or request support:

- In the U.S., contact Chauvet World Headquarters (See [Contact Us](#)).
- In the UK or Ireland, contact Chauvet Europe Ltd. (See [Contact Us](#)).
- In Mexico, contact Chauvet Mexico. (See [Contact Us](#)).
- In any other country, DO NOT contact Chauvet. Instead, contact your lighting distributor. See www.chauvetlighting.com for distributors outside the U.S., UK, Ireland, or Mexico.



Outside the U.S., UK, Ireland, or Mexico, contact your distributor and follow their instructions on how to return Chauvet products to them. Visit our website for contact details.

Call the corresponding Chauvet Technical Support office and request a Return Merchandise Authorization (RMA) number before shipping the product. Be prepared to provide the model number, serial number, and a brief description of the cause for the return.

You must send the merchandise prepaid, in its original box, and with its original packing and accessories. Chauvet will not issue call tags.

Clearly label the package with the RMA number. Chauvet will refuse any product returned without an RMA number.



Write the RMA number on a properly affixed label. DO NOT write the RMA number directly on the box.

Before sending the product, clearly write the following information on a piece of paper and place it inside the box:

- Your name
- Your address
- Your phone number
- RMA number
- A brief description of the problem

Be sure to pack the product properly. Any shipping damage resulting from inadequate packaging will be your responsibility. FedEx packing or double-boxing are recommended.



Chauvet reserves the right to use its own discretion to repair or replace returned product(s).

CONTACT US

WORLD HEADQUARTERS - Chauvet

General Information

Address: 5200 NW 108th Avenue
Sunrise, FL 33351
Voice: (954) 577-4455
Fax: (954) 929-5560
Toll free: (800) 762-1084

Technical Support

Voice: (954) 577-4455 (Press 4)
Fax: (954) 756-8015
Email: tech@chauvetlighting.com

World Wide Web www.chauvetlighting.com

UNITED KINGDOM AND IRELAND - Chauvet Europe Ltd.

General Information

Address: Unit 1C
Brookhill Road Industrial Estate
Pinxton, Nottingham, UK
NG16 6NT
Voice: +44 (0)1773 511115
Fax: +44 (0)1773 511110

Technical Support

Email: uktech@chauvetlighting.com

World Wide Web www.chauvetlighting.co.uk

MEXICO - Chauvet Mexico

General Information

Address: Av. Santa Ana 30
Parque Industrial Lerma
Lerma, Mexico C.P. 52000
Voice: +52 (728) 285-5000

Technical Support

Email: servicio@chauvet.com.mx

World Wide Web www.chauvet.com.mx

Outside the U.S., United Kingdom, Ireland, or Mexico, contact the dealer of record and follow their instructions to request support or to return a product. Visit the Chauvet website for contact information.