



HURRICANE
HAZE 2D
User Manual



Edition Notes

The Hurricane Haze 2D User Manual includes a description, safety precautions, installation, programming, operation, and maintenance instructions for the Hurricane Haze 2D as of the release date of this edition.

Trademarks

Chauvet, Chauvet DJ, the Chauvet logo, and Hurricane are registered trademarks or trademarks of Chauvet & Sons, LLC (d/b/a Chauvet and Chauvet Lighting) in the United States and other countries. Other company and product names and logos referred to herein may be trademarks of their respective companies.

Copyright Notice

The works of authorship contained in this manual, including, but not limited to, all designs, text, and images are owned by Chauvet.

© Copyright 2026 Chauvet & Sons, LLC. All rights reserved.

Electronically published by Chauvet in the United States of America.

Manual Use

Chauvet authorizes its customers to download and print this manual for professional information purposes only. Chauvet expressly prohibits the usage, copy, storage, distribution, modification, or printing of this manual or its content for any other purpose without written consent from Chauvet.

Document Printing

For best results, print this document in color, on letter size paper (8.5 x 11 in), double-sided. If using A4 paper (210 x 297 mm), configure the printer to scale the content accordingly.

Intended Audience

Any person installing, operating, and/or maintaining this product should completely read through the guide that shipped with the product, as well as this manual, before installing, operating, or maintaining this product.

Disclaimer

Chauvet believes that the information contained in this manual is accurate in all respects. However, Chauvet assumes no responsibility and specifically disclaims any and all liability to any party for any loss, damage, or disruption caused by any errors or omissions in this document, whether such errors or omissions result from negligence, accident, or any other cause. Chauvet reserves the right to revise the content of this document without any obligation to notify any person or company of such revision; however, Chauvet has no obligation to make, and does not commit to make, any such revisions.

Document Revision

Go to www.chauvetdj.com for the latest version.

Revision	Date	Description
14	06/2026	Updated remote nomenclature.

TABLE OF CONTENTS

1. Before You Begin	1
What Is Included	1
Unpacking Instructions	1
Claims	1
Text Conventions	1
Symbols	1
Safety Notes	2
2. Introduction	3
Product Overview	3
Product Dimensions	4
3. Setup	5
AC Power	5
Fuse Replacement	5
Fluid Tank Indicator LEDs	5
Mounting	6
Orientation	6
Rigging	6
4. Operation	7
Control Panel Operation	7
Menu Map	7
DMX Configuration	7
Starting Address	7
DMX Channel Assignments and Values	8
Standalone Configuration	8
Manual Mode	8
HC-T Wired Timer Remote	9
Wired Timer Controller (HC-T) Operation	9
Wired Timer Remote Operation	9
General Troubleshooting	11
5. Maintenance	12
Fog Machine Maintenance	12
Storage	12
6. Technical Specifications	13
Contact Us	14
Warranty & Returns	14

1. Before You Begin

What Is Included

- Hurricane Haze 2D
- Power cable
- Timer remote
- Quick Reference Guide

Unpacking Instructions

Carefully unpack the product immediately and check the container to make sure all the parts are in the package and are in good condition.

Claims




If the box or the contents (the product and included accessories) appear damaged from shipping, or show signs of mishandling, notify the carrier immediately, not Chauvet. Failure to report damage to the carrier immediately may invalidate a claim. In addition, keep the box and contents for inspection.

For other issues, such as missing components or parts, damage not related to shipping, or concealed damage, file a claim with Chauvet within 7 days of delivery.

Text Conventions

Convention	Meaning
1–512	A range of values
50/60	A set of values of which only one can be chosen
Settings	A menu option not to be modified
<ENTER>	A key to be pressed on the product’s control panel
ON	A value to be entered or selected

Symbols

Symbol	Meaning
	Critical installation, configuration, or operation information. Not following these instructions may make the product not work, cause damage to the product, or cause harm to the operator.
	Important installation or configuration information. The product may not function correctly if this information is not used.
	Useful information.

Safety Notes

These Safety Notes include important information about installation, use, and maintenance of the Hurricane Haze 2D.

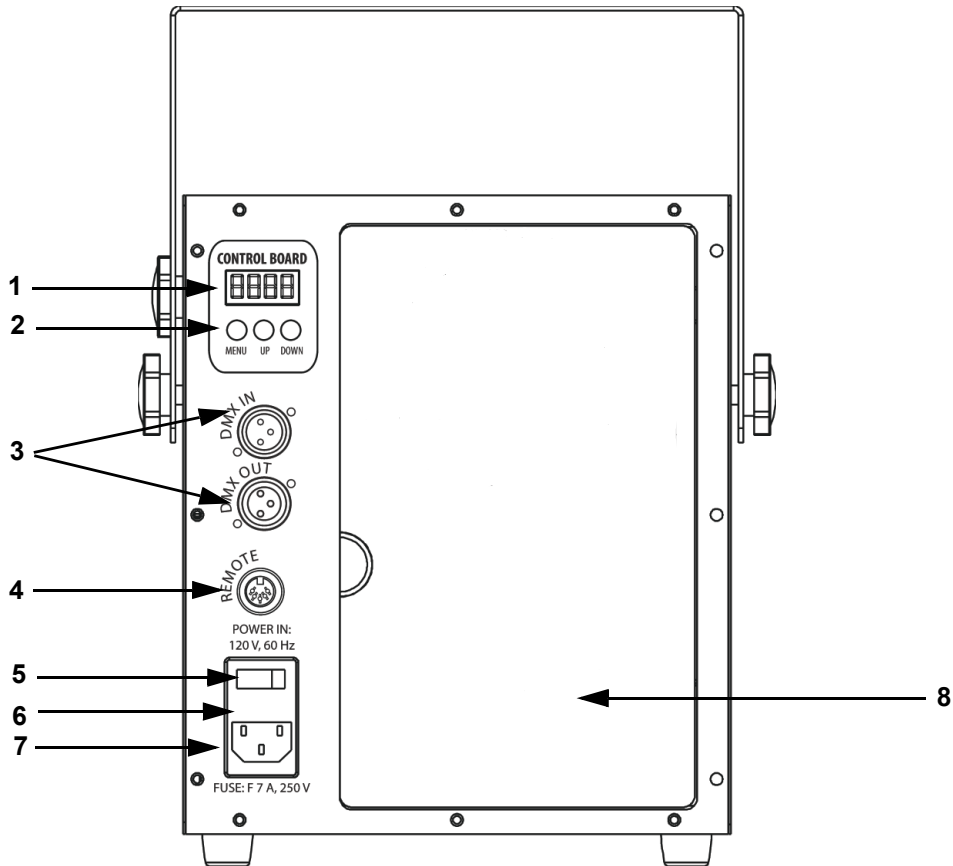
- **ALWAYS:**
 - ◆ Connect to a grounded circuit.
 - ◆ Connect to operating voltages as specified on the product's spec sticker.
 - ◆ Disconnect from power before replacing the fuse.
 - ◆ Disconnect from its power source during periods of inactivity.
 - ◆ Use a safety cable when suspending overhead.
 - ◆ Heed all restrictions and warnings on the spec sticker.
 - ◆ Mount in a location with at least 20 in (50 cm) of ventilation.
 - ◆ Replace the fuse with the same type and rating.
 - ◆ Use Chauvet fluids.
 - ◆ Drain the tank before transporting or storing the product.
 - ◆ Keep the machine level.
 - ◆ Clean the machine after every use.
 - ◆ Clean around the product during and after use, as surfaces may become slippery.
- In the event of a serious operating problem, stop using immediately.
- All fog/haze machines may set off smoke detectors.
- **DO NOT:**
 - ◆ Open this product or attempt any repairs. It contains no user-serviceable parts.
 - ◆ Use if the power cable is crimped or damaged.
 - ◆ Disconnect by pulling on the power cable.
 - ◆ Allow flammable materials close to the product when it is operating.
 - ◆ Touch the housing when it is on.
 - ◆ Block any ventilation holes/slots in the housing.
 - ◆ Connect to a dimmer or rheostat.
 - ◆ Carry the product by its power cable.
 - ◆ Operate in temperatures higher than 104°F (40°C).
 - ◆ Expose to environments that exceed the Ingress Protection (IP) rating.
 - ◆ Expose to rain or moisture.
 - ◆ Use outdoors.
 - ◆ Submerge.
 - ◆ Set this product on a flammable surface.
 - ◆ Touch the output nozzle. It may be hot for several hours after use.
 - ◆ Drink the fluid.
 - ◆ Add perfume, alcohol, gasoline or any other chemical to the fluid.
 - ◆ Use for space-heating purposes.
 - ◆ Leave machine unattended.
 - ◆ Overfill.



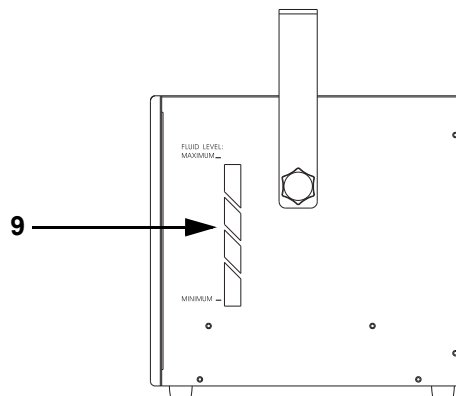
Keep this User Manual for future use. If the product is sold to someone else, be sure that they also receive this document.

2. Introduction

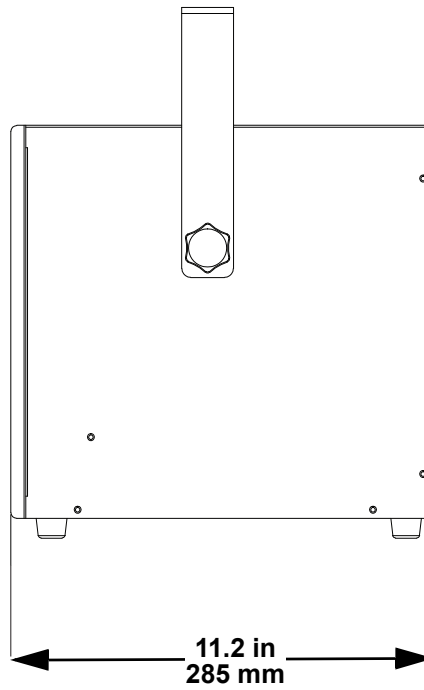
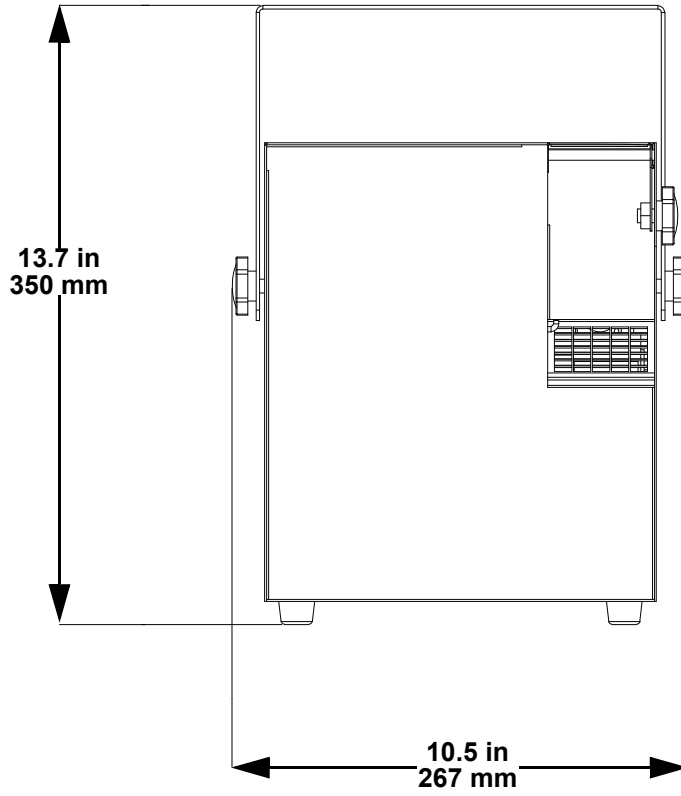
Product Overview



#	Name	#	Name
1	LED display	6	Fuse holder
2	Menu buttons	7	Power in
3	3-pin DMX in/out	8	Fluid access panel
4	Wired remote	9	Fluid tank Indicator LEDs
5	Power switch		



Product Dimensions



3. Setup

AC Power

The Hurricane Haze 2D has a fixed voltage power supply, and it can work with an input voltage range of either 120 VAC, 60 Hz or 230 VAC, 50 Hz, depending on the specific model.

To determine the product's power requirements (circuit breaker, power outlet, and wiring), use the current value listed on the label affixed to the product's back panel, or refer to the product's specifications chart. The listed current rating indicates the product's average current draw under normal conditions.



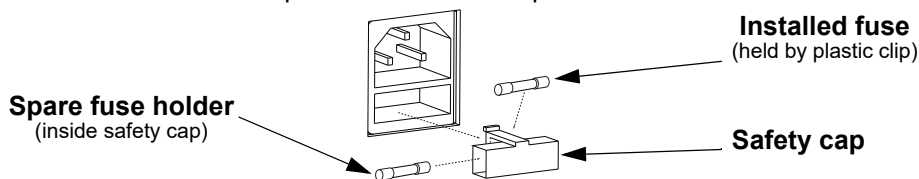
- **Always connect the product to a protected circuit (a circuit breaker or fuse). Make sure the product has an appropriate electrical ground to avoid the risk of electrocution or fire.**
- **To eliminate unnecessary wear and improve its lifespan, during periods of non-use completely disconnect the product from power via breaker or by unplugging it.**



Never connect the product to a rheostat (variable resistor) or dimmer circuit, even if the rheostat or dimmer channel serves only as a 0 to 100% switch.

Fuse Replacement

1. Disconnect the product from power.
2. Wedge the tip of a flat-head screwdriver into the slot of the fuse holder.
3. Pry the fuse holder out of the housing.
4. Remove the blown fuse from the holder and replace with a fuse of the exact same type and rating.
5. Insert the fuse holder back in place and reconnect power.



The product does not ship with a spare fuse; however, the safety cap has room for a spare.



Disconnect the product from the power outlet before replacing the fuse.



Always replace a blown fuse with one of the same type and rating, F 7 A, 250 V.



While operating the Hurricane Haze 2D, make sure there is adequate fog fluid in the machine to prevent pump and heater damage. When the fog fluid level becomes low, simply add more fog fluid to continue using the Hurricane Haze 2D.

Fluid Tank Indicator LEDs

Indicator LEDs show the status of the fill tank as follows:

- Red - the heater is currently warming up
- Flashing Red - the heater is currently warming up and requires refilling
- Blue - the hazer is ready
- Flashing Blue - the heater is warmed but the fluid tank requires refilling

Note: The Hurricane Haze 2D may be operational while the heater is warming up.



See the [General Troubleshooting](#) section to identify possible sources of trouble and find solutions.

Mounting

Before mounting the product, read and follow the safety recommendations indicated in the [Safety Notes](#).

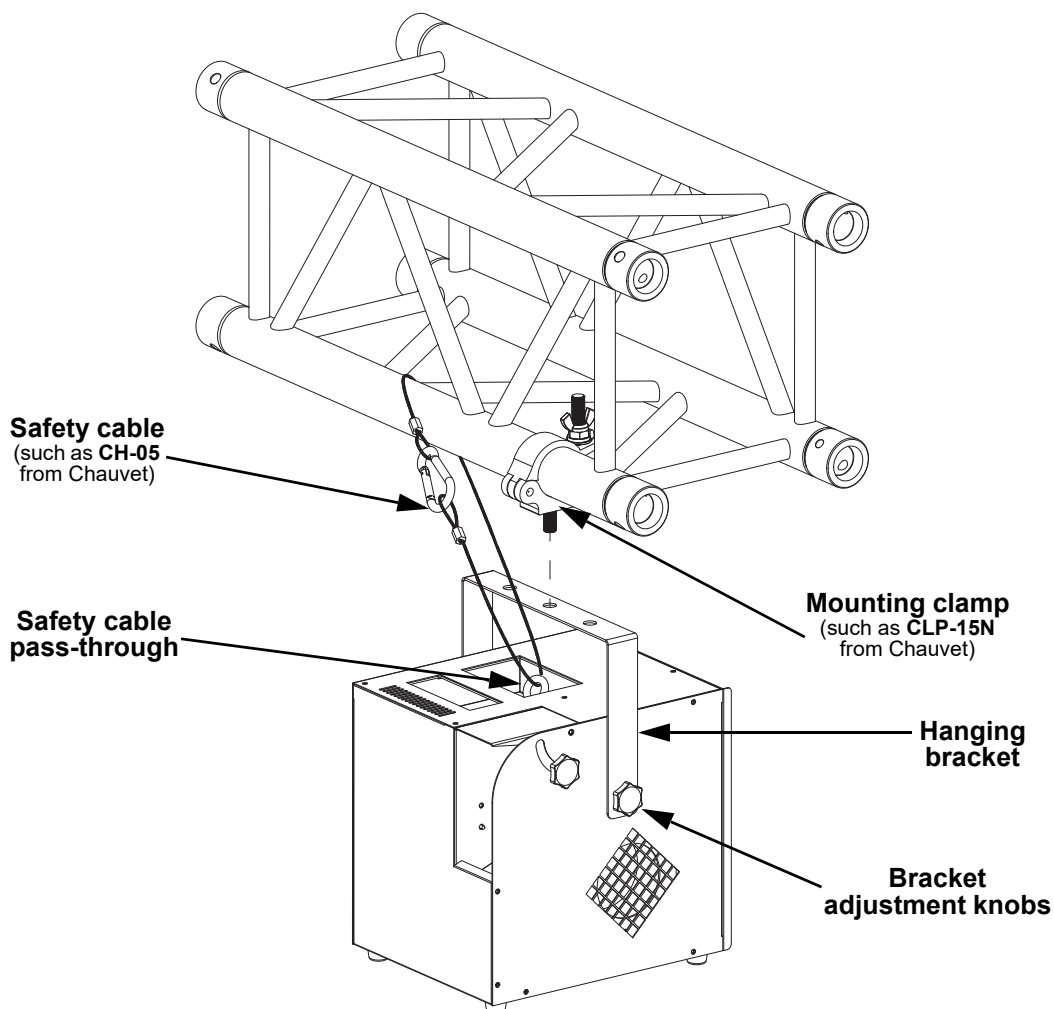
Orientation

The Hurricane Haze 2D may be mounted in any position; however, make sure adequate ventilation is provided around the product.

Rigging

- Before deciding on a location for the product, always make sure there is easy access to the product for maintenance and programming.
- Make sure that the structure and attachment points can support the weight before hanging the product (see the [Technical Specifications](#) section for weight information).
- When mounting the product overhead, always use a safety cable. Mount the product securely to a rigging point, such as an elevated platform or a truss.
- When rigging the product onto a truss, use a mounting clamp of appropriate weight capacity. The bracket has a 13-mm hole, which is appropriate for this purpose.
- The bracket adjustment knobs allow for directional adjustment when aiming the product to the desired angle. Only loosen or tighten the bracket knobs manually. Using tools could damage the knobs.
- When mounting the product on the floor, make sure that the product and cables are away from people and vehicles.

Mounting Diagram



4. Operation

Control Panel Operation

To access the control panel functions, use the three buttons located underneath the display. Please refer to the [Product Overview](#) to see the button locations on the control panel.

Button	Function
<MENU>	Press to find an operation mode or to back out of the current menu option
<UP>	Press to scroll up the list of options or to find a higher value
<DOWN>	Press to scroll down the list of options or to find a lower value

Menu Map

Refer to the Hurricane Haze 2D product page on www.chauvetdj.com for the latest menu map and software.

Mode	Programming Levels		Description
DMX Mode	d***	001–512	Selects the DMX starting address
Manual Mode	Haze Volume	h001–h005	Low–high
	Blower Speed	f001–f005	Low–high

DMX Configuration

The Hurricane Haze 2D works with a DMX controller. Information about DMX is in the Chauvet DMX Primer, which is available from the Chauvet website

https://www.chauvetprofessional.com/wp-content/uploads/2016/06/DMX_Primer.pdf.

Starting Address

The Hurricane Haze 2D uses up to 2 DMX channels, which defines the highest configurable address to **511**.

When selecting a starting DMX address, always consider the number of DMX channels the DMX mode uses. If the starting address is set too high, access to some channels could be restricted.

For information about the DMX protocol, download the DMX Primer from www.chauvetdj.com.

To select the personality and starting address, do the following:

1. Press <MENU> repeatedly until **d***** shows on the display.
2. Use <UP> or <DOWN> to select the starting address, from **001–512**.

There are three methods used to control the operation of the Hurricane Haze 2D. The priority levels are:



1. DMX
2. Digital display
3. Remote controller

DMX Channel Assignments and Values

Channel	Function	Value	Percent/Setting
1	Blower speed	000 ⇔ 005	Off
		006 ⇔ 075	Level 1
		076 ⇔ 125	Level 2
		126 ⇔ 165	Level 3
		166 ⇔ 185	Level 4
		186 ⇔ 255	Level 5
2	Haze volume	000 ⇔ 038	Off
		039 ⇔ 069	Level 1
		070 ⇔ 101	Level 2
		102 ⇔ 132	Level 3
		133 ⇔ 187	Level 4
		188 ⇔ 255	Level 5

Standalone Configuration

Set the product in one of the standalone modes to operate without a DMX controller.



Never connect a product that is operating in any standalone mode to a DMX string connected to a DMX controller. Products in standalone mode may transmit DMX signals that could interfere with the DMX signals from the controller.

Manual Mode

To run the Hurricane Haze 2D in Manual Mode, follow the instructions below.

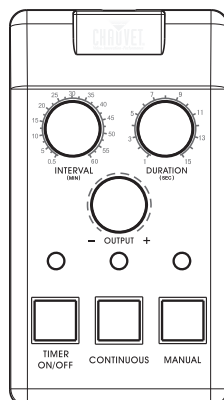
1. Press <MENU> repeatedly until **h***** shows on the display.
2. Use <UP> or <DOWN> to adjust the haze volume.
3. Press <MENU> repeatedly until **f***** shows on the display.
4. Use <UP> or <DOWN> to adjust the blower speed.

HC-T Wired Timer Remote

The HC-T wired timer controller allows users to automatically trigger fog output by setting interval and duration times. LED indicator lights display the machine and controller's current state. Rotary knobs set interval time, output, and duration time, while **<MANUAL>** and **<CONTINUOUS>** buttons allow overriding control.

1. Plug the product in to power.
2. Plug the HC-T in to the wired controller socket on the back of the product. (See the [Product Overview](#).)
3. Allow the Hurricane Haze 2D three to four minutes to heat up before continuing.

HC-T Wired Timer Controller Overview



Wired Timer Controller (HC-T) Operation

Option	Function
INTERVAL	Sets amount of time between outputs of fog in timer mode.
DURATION	Sets duration of outputs of fog in timer mode.
OUTPUT	Sets volume of fog output.
TIMER ON/OFF	Activates timer mode.
CONTINUOUS	Activates continuous output mode.
MANUAL	Triggers fog output while held.

Wired Timer Remote Operation

The HC-T has three modes of operation: timer, continuous, and manual.

Timer Mode

To operate the Hurricane Haze 2D with the timer function:

1. Set the desired output level with the **<OUTPUT>** knob.
2. Set the **<INTERVAL>** and **<DURATION>** knobs to the desired positions.
 - The **<INTERVAL>** knob sets the amount of time in between bursts of fog.
 - The **<DURATION>** knob sets the length of time that the fog machine will run during the burst.
3. Press the **<TIMER ON/OFF>** latching button. The LED indicator above the button will light up.
4. Press the **<TIMER ON/OFF>** button again to turn off the timer.



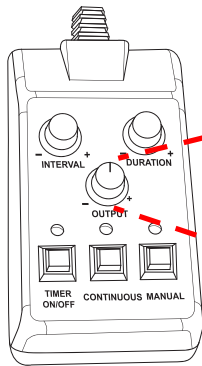
The **MANUAL** Button will override the timer function.

Continuous Mode

To trigger the Hurricane Haze 2D to continuously output fog:

1. Set the desired output level with the **<OUTPUT>** knob.
2. Press the **<CONTINUOUS>** latching button. The LED indicator above the button will light up. The fog machine outputs fog until the **<CONTINUOUS>** button is pressed again.

3. Press the **<CONTINUOUS>** button again to stop the fog output.



Uninterrupted continuous mode at output 6 and below



DO NOT run the product in continuous mode for longer than 15 minutes. Continuous mode must be followed by an equal amount of time without output (For example: follow 8 minutes of continuous operation with 8 minutes of no output). **DO NOT** trigger the product to output fog during that time.



- In order for Continuous mode to run uninterrupted, without the Hurricane Haze 2D stopping to reheat, set the **<OUTPUT>** knob no higher than 6. At Output levels above 6, the fog machine will cycle through intermittent bursts of fog during its reheating program.
- The duration of continuous fog output is based on the capacity of the tank.
- Fluid consumption will be significantly increased during continuous mode.

Manual Mode

To trigger the Hurricane Haze 2D manually with the HC-T:

1. Set the desired output level with the **<OUTPUT>** knob.
2. Press and hold the **<MANUAL>** button on the HC-T. The LED indicator above the button will light up. The fog machine will output for the duration of the button press.
3. Release the **<MANUAL>** button to stop the fog output.

General Troubleshooting

Symptom	Indicator Status	Possible Cause	Possible Action
No output or short output	Red	Heater warming up	Allow the product to warm up completely. This should take less than 10 minutes.
	Red flashing	Air bubble in fluid line	Allow the product to warm up completely.
			Turn fog machine 45° to flatten out the bubble and allow the fog fluid to flow properly
			Turn off the product for 5 seconds, and then turn it back on. Repeat as necessary. After more than 10 attempts, contact Customer Service.
	Blue	Incorrect fluid	Clean thoroughly with Chauvet FCQ. For full instructions, see Fog Machine Maintenance . Refill with Chauvet water-based fog fluid.
		Blocked pipes	Contact Customer Service
Failing part		Contact Customer Service	
Spitting fluid	Blue flashing	Incorrect fluid	Clean thoroughly with Chauvet FCQ. For full instructions, see Fog Machine Maintenance . Refill with Chauvet water-based fog fluid.
		Blocked pipes	Contact Customer Service
		Failing part	Contact Customer Service
	Blue	Incorrect fluid	Clean thoroughly with Chauvet FCQ. For full instructions, see Fog Machine Maintenance . Refill with Chauvet water-based fog fluid.
		Blocked pipes	Contact Customer Service
		Failing part	Contact Customer Service
Normal	Blue	Normal	Normal function
Circuit breaker or fuse keeps blowing		Excessive load on the circuit	Make sure that the total load does not exceed the recommended capacity of the breaker or fuse's nominal current
		Short circuit along the power lines	Check the power lines and power cords
Product does not power up	N/A	No energy on power outlet	Check power outlet Change to another outlet
		Loose or damaged power cord	Check the power cord
		Blown fuse	Replace blown fuse with a good one of the same type and rating
		Internal problem	Send product for repair
Product does not respond to DMX		Wrong starting address on the product	Set the correct starting address on the product
		Wrong polarity setting on the DMX controller	Change the signal polarity on the controller
		Loose or damaged DMX cable	Check the DMX cable entering the faulty unit
		Internal problem	Send product for repair
Intermittent DMX Problems	Blue	Signal cables are not DMX compatible	Replace non-DMX cables with true DMX cables
		Interference with AC or radio signals	Keep DMX cables away from AC wires or radio equipment
		DMX cable too long	Use a shorter DMX cable or install an optically coupled DMX amplifier right before the product with intermittent problems
		Terminator not connected	Install a terminator

5. Maintenance

Fog Machine Maintenance

Proper maintenance of Chauvet atmospheric products will increase the reliability and lifespan of products. Maintenance should be completed every 30-90 days, depending on how frequently products are used.



- **When performing maintenance, use Chauvet Fog Cleaner Quart (FCQ) for U.S., or cleaning Fluid 250 (CF250) for EU products. Run the fluid through the system to reduce the accumulation of particulate matter in the heating element.**
- **DO NOT allow the atmospheric product to become clogged. Once a product is clogged, the cleaning procedure is unlikely to effectively clear the clog.**

The recommended cleaning procedure is as follows:

1. Unplug the product from power.
2. Remove the hose from the fluid tank/reservoir. Remove the FCQ/CF250 screw cap and place the hose in the Fog Cleaner bottle.
3. Connect the product to power and allow it to warm up (if not already warmed up).
4. Run the FCQ/CF250 through the product in a well-ventilated area for 60-90 seconds of continuous, full output. Some products require multiple cycles to achieve this.



DO NOT allow the product to run dry!

5. Move the hose from the FCQ/CF250 to a small bottle with distilled water (only use distilled water, not tap or any other water or liquid). Run distilled water through the product for at least 30 seconds to clear any remaining cleaning solution from the pump and heater.



- **Turn off the product when not in use or when storing.**
- **DO NOT leave the cleaning solution in the product.**
- **DO NOT operate the product without fluid at any time.**
- **DO NOT leave Chauvet atmospheric fluid in the product tank/reservoir for more than 10 days without use.**



Fog Cleaner Quart (FCQ) and Cleaning Fluid 250 (CF250) were specifically developed by Chauvet to clean Chauvet atmospheric products equipped with heaters. Use FCQ/CF250 regularly, no longer than 90 days between cleanings (30-60 days if the product is used more frequently), to prevent shortening the life of the product.

Storage

Before storing the Chauvet atmospheric product, run FCQ/CF250 through the system as described in the cleaning procedure above and do not refill the tank with atmospheric fluid before storing the product.



Test-run the Chauvet atmospheric products monthly to achieve the best performance.

Chauvet does not guarantee products will withstand storage for long durations, even if the cleaning process is followed. Please use caution and test regularly to ensure the product continues to function properly.

6. Technical Specifications

Dimensions and Weight

Length	Width	Height	Weight
11.2 in (285 mm)	10.5 in (267 mm)	13.7 in (350 mm)	18.7 lb (8.5 kg)

Note: Dimensions in inches are rounded.

Power

Power Supply Type	Range	Voltage Selection
Fixed	120 VAC, 60 Hz or 230 VAC, 50 Hz	Fixed

Parameter	120 V, 60 Hz	230 V, 50 Hz
Consumption	533 W	533 W
Operating Current	4.4 A	2.3 A
Fuse	F 7 A, 250 V	F 7 A, 250 V

Power I/O	U.S./Worldwide	UK/Europe
Power input connector	IEC	IEC
Power cable plug	Edison (U.S.)	Local Plug

Operation

Heat-Up Time	Tank Capacity	Fluid Consumption	Fog Output
5 min	0.7 gal (2.5 l)	8.2 ml/min	1,200 cfm

Thermal

Maximum External Temperature	Cooling System
104 °F (40 °C)	Convection

DMX

I/O Connector	Channel Range
3-pin XLR	2

Ordering

Product Name	Item Code	UPC Number
Hurricane Haze 2D	05070167	781462206093
Hurricane Haze 2D 220V	05070389	781462207410



Contact Us

General Information	Technical Support
Chauvet World Headquarters	
Address: 3360 Davie Rd., Suite 509 Davie, FL 33314 Voice: (954) 577-4455 Fax: (954) 929-5560 Toll Free: (800) 762-1084	Voice: (844) 393-7575 Fax: (954) 756-8015 Email: chauvetcs@chauvetlighting.com Website: www.chauvetdj.com
Chauvet U.K.	
Address: Pod 1 EVO Park Little Oak Drive, Sherwood Park Nottinghamshire, NG15 0EB UK Voice: +44 (0) 1773 511115 Fax: +44 (0) 1773 511110	Email: UKtech@chauvetlighting.eu Website: www.chauvetdj.eu
Chauvet Benelux	
Address: Vaartlaan 9 9800 Deinze Belgium Voice: +32 9 388 93 97	Email: BNLtech@chauvetlighting.eu Website: www.chauvetdj.eu
Chauvet France	
Address: 3, Rue Ampère 91380 Chilly-Mazarin France Voice: +33 1 78 85 33 59	Email: FRtech@chauvetlighting.fr Website: www.chauvetdj.eu
Chauvet Germany	
Address: Bruno-Bürgel-Str. 11 28759 Bremen Germany Voice: +49 421 62 60 20	Email: DEtech@chauvetlighting.de Website: www.chauvetdj.eu
Chauvet Mexico	
Address: Av. de las Partidas 34 - 3B (Entrance by Calle 2) Zona Industrial Lerma Lerma, Edo. de México, CP 52000 Voice: +52 (728) 690-2010	Email: servicio@chauvet.com.mx Website: www.chauvetdj.mx

Warranty & Returns

For warranty terms and conditions and return information, please visit our website.

For customers in the United States and Mexico: www.chauvetlighting.com/warranty-registration.

For customers in the United Kingdom, Republic of Ireland, Belgium, the Netherlands, Luxembourg, France, and Germany: www.chauvetlighting.eu/warranty-registration.