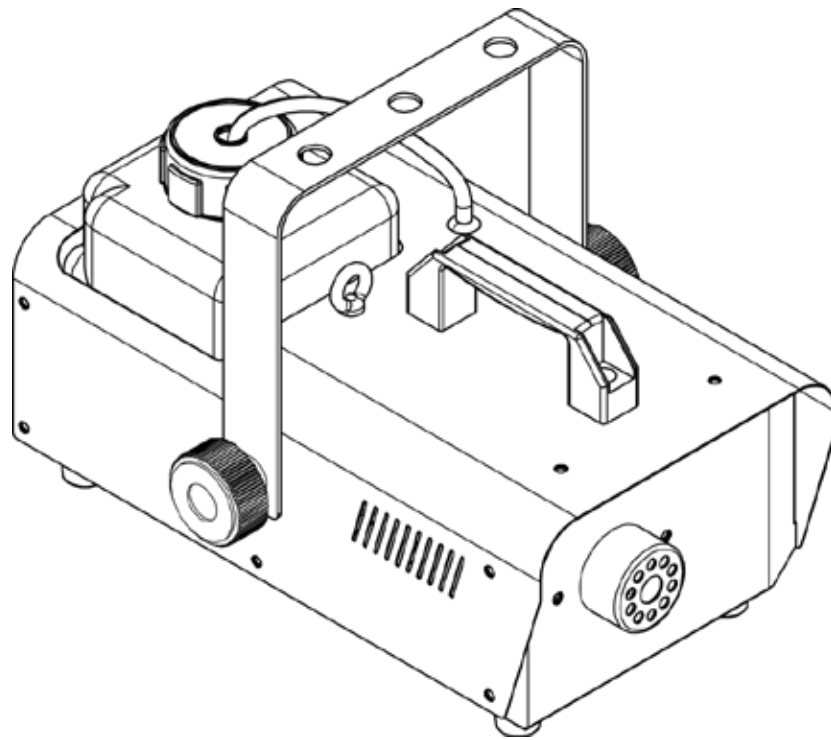


HURRICANE **1000**

User Manual



CHAUVET[®]**3**

TABLE OF CONTENTS

1. Before You Begin	3
What Is Included.....	3
Unpacking Instructions	3
Claims	3
Text Conventions	3
Symbols.....	3
Disclaimer.....	3
Product at a Glance.....	4
Safety Notes.....	4
2. Introduction	5
Overview.....	5
Dimensions.....	6
3. Setup	7
AC Power	7
Fuse Replacement	7
Mounting.....	8
Orientation.....	8
Rigging	8
4. Operation	9
Remote or Manual Operation	9
Wired Manual Remote Control (FC-M)	9
Wireless Remote (FC-W)	9
Wired Timer Controller (FC-T) Setup.....	10
Wired Timer Controller (FC-T) Operation	10
5. Technical Information	11
Fogger Maintenance	11
Storage	11
6. General Troubleshooting	12
7. Technical Specifications	13
Returns	14
Contact Us	15

1. BEFORE YOU BEGIN

What Is Included

- Hurricane 1000
- FC-M Wired Remote Control
- FC-W Wireless Remote
- Warranty Card
- Quick Reference Guide

Unpacking Instructions

Carefully unpack the product immediately and check the container to make sure all the parts are in the package and are in good condition.

Claims




If the box or the contents (the product and included accessories) appear damaged from shipping, or show signs of mishandling, notify the carrier immediately, not Chauvet. Failure to report damage to the carrier immediately may invalidate your claim. In addition, keep the box and contents for inspection.

For other issues, such as missing components or parts, damage not related to shipping, or concealed damage, file a claim with Chauvet within 7 days of delivery.

Text Conventions

Convention	Meaning
1—512	A range of values
50/60	A set of values
Settings	A menu option
Menu > Settings	A sequence of menu options
<Enter>	A button

Symbols

Symbol	Meaning
	Critical installation, configuration, or operation information. Not following these instructions may make the product not work, cause damage to the product, or cause harm to the operator.
	Important installation or configuration information. The product may not function correctly if this information is not used.
	Useful information.

Disclaimer

Chauvet believes that the information contained in this manual is accurate in all respects. However, Chauvet assumes no responsibility and specifically disclaims any and all liability to any party for any loss, damage or disruption caused by any errors or omissions in this document, whether such errors or omissions result from negligence, accident or any other cause. Chauvet reserves the right to revise the content of this document without any obligation to notify any person or company of such revision, however, Chauvet has no obligation to make, and does not commit to make, any such revisions. Download the latest version from www.chauvetlighting.com.

The works of authorship contained in this manual, including, but not limited to, all design, text and images are owned by Chauvet.

© Copyright 2015 Chauvet & Sons, Inc. All rights reserved.

Electronically published by Chauvet in the United States of America.

CHAUVET, the Chauvet logo, and "Hurricane 1000" are registered trademarks or trademarks of Chauvet & Sons Inc. (d/b/a Chauvet and Chauvet Lighting) in the United States and other countries. Other company and product names and logos referred to herein may be trademarks of their respective companies.

Author	Date	Editor	Date
R. Isenstadt	08/27/15	M. Gregory	08/27/15

Product at a Glance

Use on Dimmer	✗	Auto Programs	✗
Outdoor Use	✗	Fixed voltage (120 V or 230 V)	P
Sound-Activated	✗	Replaceable Fuse	P
DMX	✗	User-Serviceable	✗
Master/Slave	✗	Duty Cycle	✗

Safety Notes

These notes include important information about the mounting, usage, and maintenance of this product; read before using the product.



- Always connect the product to a grounded circuit to avoid the risk of electrocution.
- Always disconnect the product from the power source before cleaning or replacing the fuse.
- Make sure the power cord is not crimped or damaged.
- Never disconnect the product from power by pulling or tugging on the cord.
- If mounting the product overhead, always secure to a fastening device using a safety cable.
- Make sure there are no flammable materials close to the product when operating.
- Do not touch the product's housing when operating because it may be very hot.
- Do not mount the product on a flammable surface (linoleum, carpet, wood, paper, carton, plastic, etc.).
- The product's nozzle is very hot during operation and it remains hot for a long time after operation has stopped.
- The fog exits the nozzle at a very high temperature. Keep a minimum distance of 6.5 ft (2 m) from the nozzle to the nearest object.
- Do not use the product as a space heater.
- Do not drink or come in contact with the fog fluid. If you do, call your local emergency service (911 in the US) for help.
- Do not add perfume, alcohol, gasoline, or any other flammables to the fog fluid.



- Always make sure that the voltage of the outlet to which you are connecting the product is within the range stated on the decal or rear panel of the product.
- The product is for indoor use only! (IP20) To prevent risk of fire or shock, do not expose the product to rain or moisture.
- Always install the product in a location with adequate ventilation, at least 20 in (50 cm) from adjacent surfaces.
- Be sure that no ventilation slots on the product's housing are blocked.
- Never connect the product to a dimmer or rheostat.
- Make sure to replace the fuse with another of the same type and rating.
- Never carry the product from the power cord or any moving part. Always use the hanging/mounting bracket.
- The maximum ambient temperature (Ta) is 104 °F (40 °C). Do not operate the product at higher temperatures.
- In the event of a serious operating problem, stop using the product immediately.
- Never try to repair the product. Repairs carried out by unskilled people can lead to damage or malfunction. Contact the nearest authorized technical assistance center.
- This product is not intended for permanent installation.
- Use only CHAUVET water-based fog fluid.
- Drain the tank before transporting or storing the product.
- To eliminate unnecessary wear and improve its lifespan, during periods of non-use completely disconnect the product from power via breaker or by unplugging it.



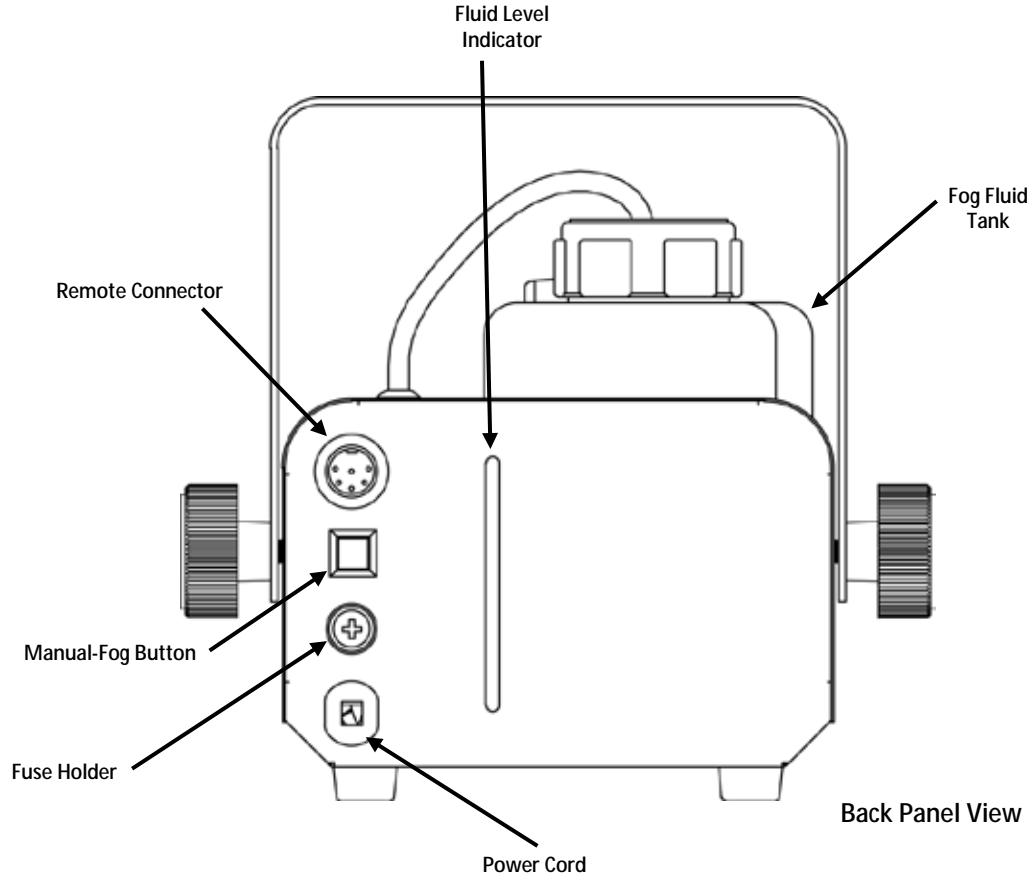
Keep this User Manual for future use. If you sell the product to another user, be sure to give this document to the next owner.



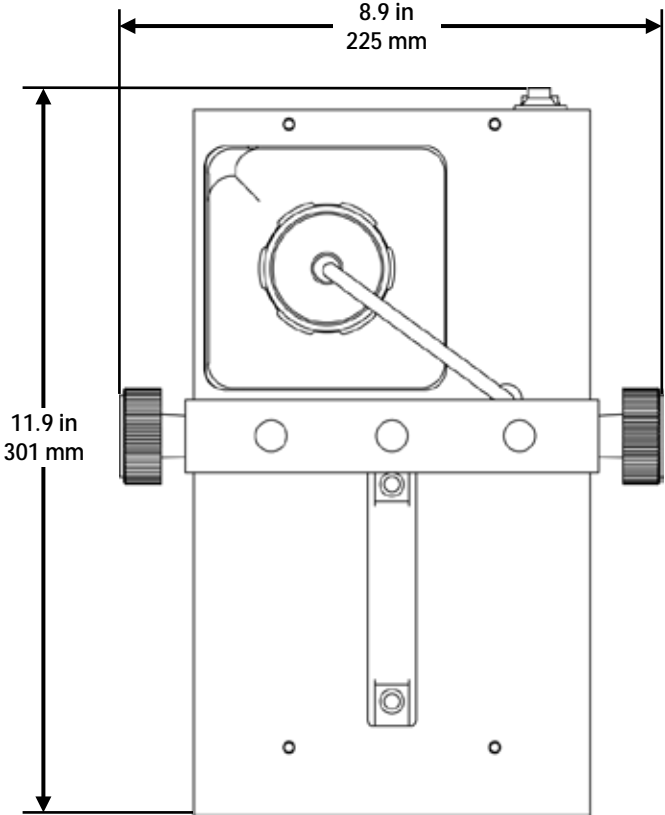
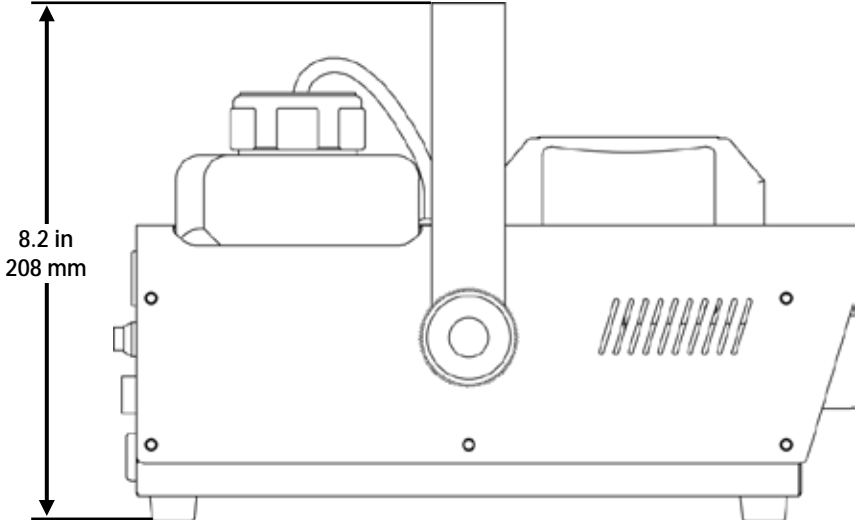
FCQ (Fog Cleaner Quart) was specifically developed by Chauvet to clean your Hurricane 1000. Make sure you use FCQ regularly, no longer than 90 days between cleanings, to increase the life of your fogger.

2. INTRODUCTION

Overview



Dimensions



3. SETUP

AC Power This Hurricane 1000 has a fixed voltage power supply and it can work with an input voltage of either 120 VAC, 60 Hz or 230 VAC, 50 Hz, depending on the specific model.

To determine the product's power requirements (circuit breaker, power outlet, and wiring), use the current value listed on the label affixed to the product's back panel, or refer to the product's specifications chart. The listed current rating indicates the product's average current draw under normal conditions.



- **Always connect the product to a protected circuit (circuit breaker or fuse). Make sure the product has an appropriate electrical ground to avoid the risk of electrocution or fire.**

- **To eliminate unnecessary wear and improve its lifespan, during periods of non-use completely disconnect the product from power via breaker or by unplugging it.**



- **Never connect the product to a rheostat (variable resistor) or dimmer circuit, even if the rheostat or dimmer channel serves only as a 0 to 100% switch.**

Fuse Replacement

1. Disconnect the product from power.
2. Twist the fuse holder cap counterclockwise to loosen the fuse holder and pull straight out.
3. Remove the blown fuse.
4. Replace with a fuse of the same type and rating.
5. Screw the fuse holder cap back in place and reconnect power.



- **Disconnect the product from power before replacing the fuse.**
- **Always replace a blown fuse with another of the same type and rating.**

Mounting Before mounting the product, read and follow the safety recommendations indicated in the [Safety Notes](#).

Orientation

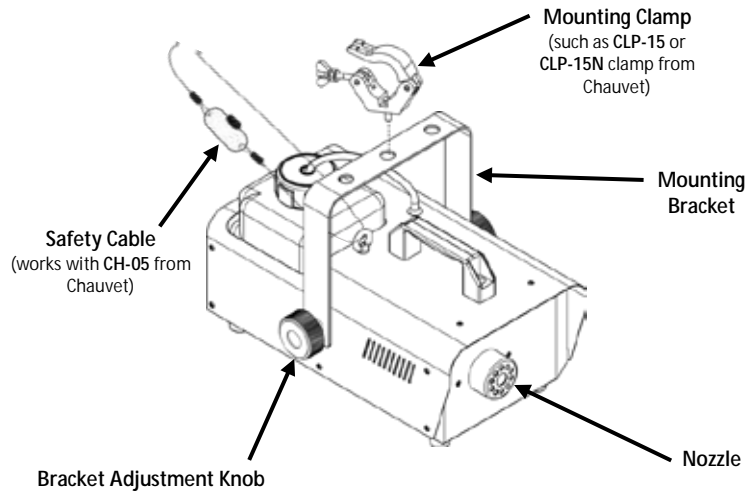


This product may not be tilted. This product should only be mounted/used on a level surface.

Rigging

- Before deciding on a location, always make sure there is easy access to the product for maintenance and fluid replenishment.
- Make sure that the structure or surface onto which you are mounting the product can support the product's weight (see the [Technical Specifications](#)).
- When mounting the product overhead, always use a safety cable. Mount the product securely to a rigging point, such as an elevated platform or a truss.
- When rigging the product onto a truss, you should use a mounting clamp of appropriate weight capacity. The bracket has 13-mm holes, which are appropriate for this purpose.
- The rubber feet also serve as floor supports and allow for surface mounting. When mounting the product on the floor, make sure that the product and cables are away from people and vehicles.

Mounting Diagram



While operating the Hurricane 1000, make sure there is adequate fog fluid in the machine to prevent pump and heater damage. When the fog fluid level becomes low, simply add more fog fluid to continue using the Hurricane 1000.

4. OPERATION

Remote or Manual Operation

The Hurricane 1000 can be operated manually, or with the included wired manual remote control (FC-M). The Manual button is located on the rear of the unit. See the product [Overview](#). Additionally, the product can be operated with the included wireless remote (FC-W) or the optional wired timer controller (FC-T).

Wired Manual Remote Control (FC-M)

The FC-M wired manual remote control allows the user to start and stop the fog output. It operates the same as the Manual button on the product, with the addition of a **READY** indicator LED.

1. Plug in the fog machine to power.
2. Plug in the wired manual remote control to the Remote Connector socket on the back of the fog machine. (See the product [Overview](#).)
3. Wait for the **READY** indicator LED to light up, indicating the Hurricane 1000 is heated enough to produce fog.
4. Press and hold the **<FOG>** button on the wired manual remote control.
5. Release the button to stop the fog output.



FC-M Manual Remote Control Overview

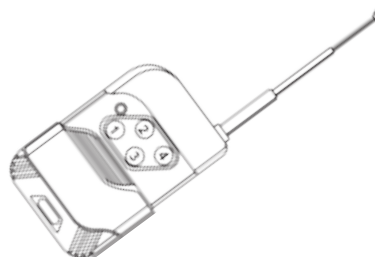


- **The Hurricane 1000 unit may start producing fog intermittently to allow for fluid reheating after a period of continuous fog output. This is a normal occurrence.**
- **The duration of manual fog output is based on the capability of the fog machine.**

Wireless Remote (FC-W)

The FC-W wireless remote allows the user to trigger the Hurricane 1000 to produce fog from up to 100 ft away. No extra receiver is required, as the product has an internal receiver for the wireless remote.

1. Plug in the fog machine to power.
2. Allow the Hurricane 1000 up to 3-4 minutes to heat up.
3. Press and hold the **<1>** button on the wireless remote.
4. Release the button to stop the fog output.



FC-W Wireless Remote Overview



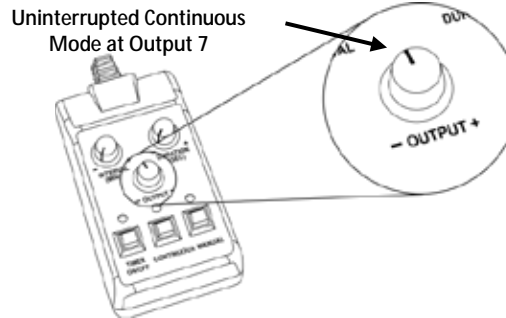
- **Ensure the FC-W has an unobstructed view of the product for maximum performance.**
- **The <2>, <3>, and <4> buttons are reserved for future use.**

Wired Timer Controller (FC-T) Setup

The FC-T wired timer controller allows you to automatically trigger fog output by setting interval and duration times. LED indicator lights display the machine and controller's current state. Rotary knobs set interval time, output, and duration time, while manual and continuous buttons allow overriding control.

1. Plug in the fog machine to power.
2. Plug in the wired timer controller to the Manual Remote Connector socket on the back of the fog machine. (See the product [Overview](#).)
3. Allow the Hurricane 1000 three to four minutes to heat up before continuing.

FC-T Wired Timer Controller Overview



Wired Timer Controller (FC-T) Operation

The FC-T wired timer controller has three modes of operation: timer, continuous, and manual.

Timer Mode

To trigger the Hurricane 1000 with the timer function, follow the instructions below:

1. Set the desired output level with the **OUTPUT** knob.
2. Set the **INTERVAL** and **DURATION** knobs to the desired positions.
 - The **INTERVAL** knob sets the amount of time in between bursts of fog.
 - The **DURATION** knob sets the length of time that the fog machine will run during the burst.
3. Press the **<TIMER ON/OFF>** latching button. The LED indicator above the button will light up. The timer will now run as set by the **INTERVAL**, **DURATION**, and **OUTPUT** knobs.
4. Press the **<TIMER ON/OFF>** button again to turn off the timer.



The **<MANUAL>** button will override the timer.

Continuous Mode

To trigger the Hurricane 1000 to continuously output fog, follow the instructions below:

1. Set the desired output level with the **OUTPUT** knob.
2. Press the **<CONTINUOUS>** latching button. The LED indicator above the button will light up. The fog machine outputs fog until the **<CONTINUOUS>** button is pressed again.
3. Press the **<CONTINUOUS>** button again to stop the fog output.



DO NOT run the product in Continuous mode for longer than 15 minutes. Continuous mode must be followed by an equal amount of time without output (For example: follow 8 minutes of Continuous operation with 8 minutes of no output). DO NOT trigger the product to output fog during that time.



- In order for Continuous mode to run uninterrupted, without the Hurricane 1000 stopping to reheat, set the **OUTPUT** knob no higher than 7. At Output levels above 7, the fogger will cycle through intermittent bursts of fog during its reheating program.
- The duration of Continuous fog output is based on the capacity of the tank.
- Fluid consumption will be significantly increased during Continuous mode.

5. TECHNICAL INFORMATION

Fogger Maintenance Do not allow the fogger to become clogged. After every 40 hours of continuous operation, use CHAUVET Fog Cleaner Quart (FCQ) through the system to prevent the accumulation of particulate matter in the heating element.

The recommended cleaning procedure is as follows.

1. Unplug the product from power.
2. Empty all fog fluid from the machine.
3. Add cleaning solution to the tank.
4. Connect the product to power and allow it to warm up.
5. Run the unit in a well-ventilated area until the tank is almost empty. **Do not allow the pump to run dry.**
6. Refill with fogger fluid to continue using the fogger. Run the machine briefly to clear any remaining cleaning solution from the pump and heater.



Do Not operate the machine without fluid at any time.



Fog Cleaner Quart (FCQ) was specifically developed by Chauvet to clean your Hurricane 1000. Make sure you use FCQ regularly, no longer than 90 days between cleanings, to increase the life of your product.

Storage Before storing the fogger, run FCQ through the system as described in the cleaning procedure above; however, only follow steps 1 through 5. **Do not refill the tank with fog fluid if storing the fogger.** Cleaning the system prior to storage will help prevent any particles from condensing inside the pump or heater while not in use.



Test-run your Hurricane 1000 on a monthly basis to achieve the best performance.

6. GENERAL TROUBLESHOOTING

Symptom	Possible Cause	Possible Action
No output or short output	Line blockage or air in fluid line	Make sure there is fluid in the tank
		Turn fog machine 45° to flatten out the bubble and allow the fog fluid to flow properly
No output or spitting fluid	Incorrect fluid	Turn off the product for 5 seconds, and then turn it back on. Repeat as necessary. Note: After more than 10 attempts, contact Customer Service.
		Clean thoroughly with CHAUVET FCQ. For full instructions, see Fogger Maintenance . Refill with CHAUVET water-based fog fluid.
No output or spitting fluid	Blocked pipes	Contact Customer Service
	Failing part	Contact Customer Service
	Excessive load on the circuit	Make sure that the total load does not exceed 80% of the breaker or fuse nominal current
Fuse keeps blowing	Short circuit along the power lines	Check the power lines and power cords
	No energy on power outlet	Check power outlet Change to another outlet
Product does not power up	Loose or damaged power cord	Check the power cord
	Blown fuse	Replace blown fuse with a good one of the same type and rating
	Internal problem	Send product for repair
Product stops pumping/ Loud noise	Low/No Fluid	Refill product with fluid



If you still experience problems after trying the solutions presented here, contact Chauvet Technical Support. See [Contact Us](#).

7. TECHNICAL SPECIFICATIONS

Dimensions and Weight	Length	Width	Height	Weight
	11.9 in (301 mm)	8.9 in (225 mm)	8.2 in (208 mm)	5.8 lb (2.7 kg)
Note: Dimensions in inches rounded to the nearest decimal digit.				
Power	Power Supply Type	Range		Voltage Selection
	Model-specific	120 VAC, 60 Hz or 230 VAC, 50 Hz		Fixed
	Parameter	120 V, 60 Hz		230 V, 50 Hz
	Consumption	740 W		805 W
	Operating current	5.9 A		3.5 A
	Fuse	F 10 A, 250 V		F 6 A, 250 V
Operation	Power I/O	US/Worldwide		UK/Europe
	Power input connector	Hard-wired		Hard-wired
	Power Cord plug	Edison (US)		Local plug
	Heat-up Time	Tank Capacity		Fluid Consumption
	2 min	0.26 gal (1.0 l)		20 ml/min
Fog Output	Output			
	10,000 cfm			
Thermal	Maximum External Temp.	Cooling System		
	104 °F (40 °C)	Convection		
Ordering	Product Name	Item Code	UPC Number	
	Hurricane 1000 (120 V)	09071071	781462214197	
	Hurricane 1000 (230 V)	09071072	781462214203	



RETURNS

In case you need to get support or return a product:

- If you are located in the U.S., contact Chauvet World Headquarters.
- If you are located in the UK or Ireland, contact Chauvet Europe Ltd.
- If you are located in Mexico, contact Chauvet Mexico.
- If you are located in Benelux, contact Chauvet Europe BVBA.
- If you are located in any other country, DO NOT contact Chauvet. Instead, contact your local distributor. See www.chauvetlighting.com for distributors outside the U.S., UK, Ireland, Mexico, or Benelux.



If you are located outside the U.S., UK, Ireland, Mexico, or Benelux, contact your distributor of record and follow their instructions on how to return Chauvet products to them. Visit our website www.chauvetlighting.com for contact details.

Call the corresponding Chauvet Technical Support office and request a Return Merchandise Authorization (RMA) number before shipping the product. Be prepared to provide the model number, serial number, and a brief description of the cause for the return.

Send the merchandise prepaid, in its original box, and with its original packing and accessories. Chauvet will not issue call tags.

Clearly label the package with the RMA number. Chauvet will refuse any product returned without an RMA number.



Write the RMA number on a properly affixed label. DO NOT write the RMA number directly on the box.

Before sending the product, clearly write the following information on a piece of paper and place it inside the box:

- Your name
- Your address
- Your phone number
- RMA number
- A brief description of the problem

Be sure to pack the product properly. Any shipping damage resulting from inadequate packaging will be your responsibility. FedEx packing or double-boxing are recommended.



Chauvet reserves the right to use its own discretion to repair or replace returned product(s).

CONTACT Us

USA WORLD HEADQUARTERS

General Information – Chauvet

Address: 5200 NW 108th Avenue
Sunrise, FL 33351

Voice: (954) 577-4455

Fax: (954) 929-5560

Toll free: (800) 762-1084

Technical Support

Voice: (954) 577-4455 (Press 4)

Fax: (954) 756-8015

Email: tech@chauvetlighting.com

World Wide Web

www.chauvetlighting.com

EUROPE

General Information - Chauvet Europe BVBA

Address: Stokstraat 18
9770 Kruishoutem
Belgium

Voice: +32 9 388 93 97

Technical Support

Email: Eutech@chauvetlighting.eu

World Wide Web

www.chauvetlighting.eu

General Information - Chauvet Europe Ltd.

Address: Unit 1C
Brookhill Road Industrial Estate
Pinxton, Nottingham, UK
NG16 6NT

Voice: +44 (0)1773 511115

Fax: +44 (0)1773 511110

Technical Support

Email: uktech@chauvetlighting.com

World Wide Web

www.chauvetlighting.co.uk

MEXICO

General Information - Chauvet Mexico

Address: Av. Santa Ana 30
Parque Industrial Lerma
Lerma, Mexico C.P. 52000

Voice: +52 (728) 285-5000

Technical Support

Email: servicio@chauvet.com.mx

World Wide Web

www.chauvet.com.mx

Outside the U.S., United Kingdom, Ireland, Mexico, or Benelux contact the dealer of record. Follow their instructions to request support or to return a product. Visit our website for contact details.