

HURRICANE

901

User Manual

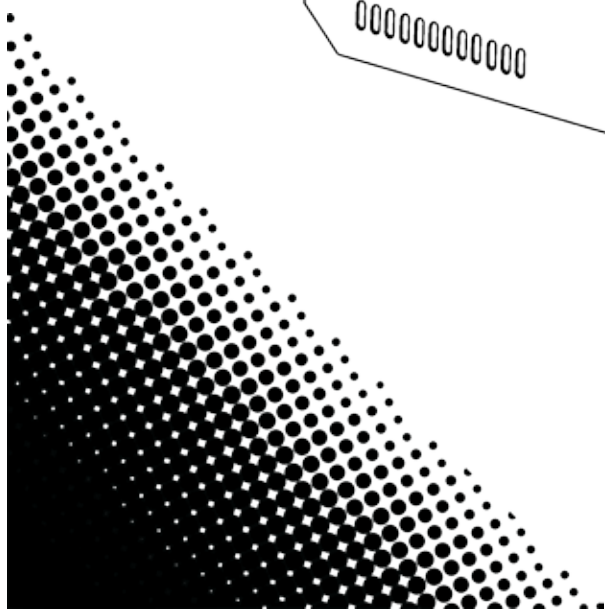
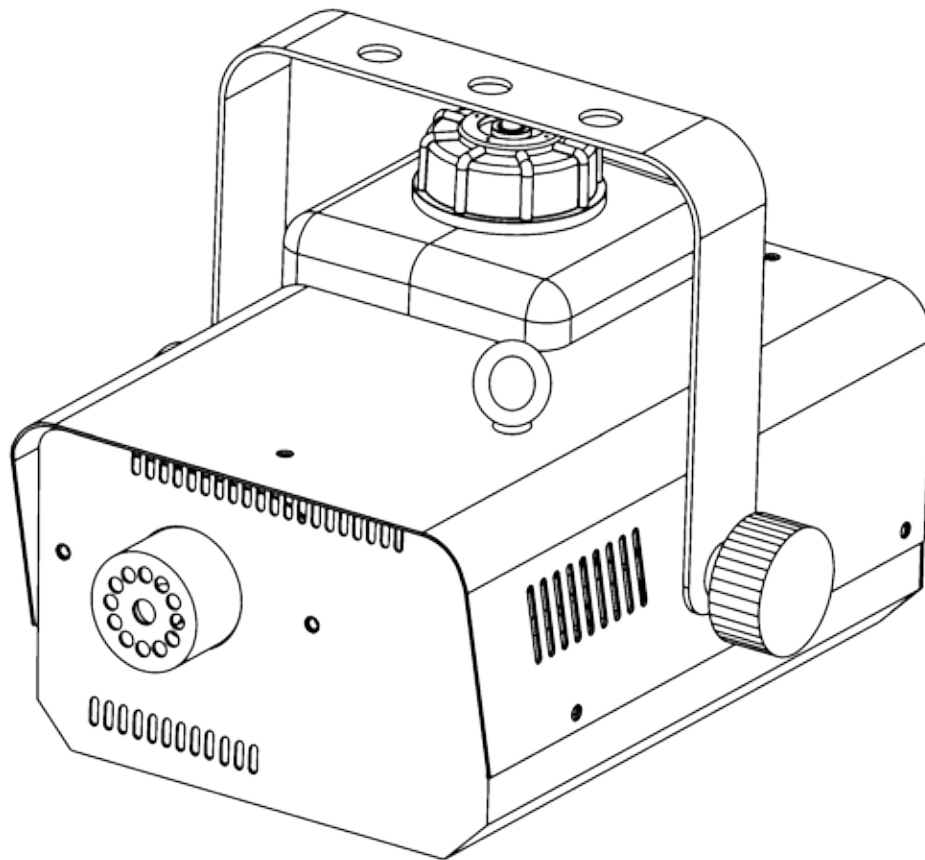


TABLE OF CONTENTS

1. Before you Begin	3
What is Included.....	3
Unpacking Instructions.....	3
<i>Claims</i>	3
Text Conventions	3
Icons.....	3
Document Information.....	3
Product at a Glance	4
Safety Notes.....	4
2. Introduction	5
Product Overview.....	5
3. Setup	6
AC Power	6
<i>Fuse Replacement</i>	6
Mounting	7
<i>Orientation</i>	7
<i>Rigging</i>	7
4. Operation	8
Manual Local Operation.....	8
Manual Remote Operation.....	8
Wireless Remote Operation.....	9
5. Technical Information	10
Fogger Maintenance	10
Storage.....	10
General Troubleshooting.....	11
Returns	12
RMA	12
6. Technical Specifications	13
Contact Us	14

1. BEFORE YOU BEGIN

What is Included

- Hurricane 901
- Wired Remote
- Power Cord
- Warranty Card
- Quick Reference Guide

Unpacking Instructions

Immediately upon receiving this product, carefully unpack it and check the container in which you received it. Make sure that you have received all the parts indicated above and that they are all in good condition.

Claims




If the material inside the container (this product and any other accessory included with it) appears damaged from shipping, or if the container shows signs of mishandling, notify the shipper immediately, not Chauvet, upon reception of the damaged merchandise. Failure to do so in a timely manner may invalidate your claim with the carrier. In addition, retain the container and all the packing material for inspection.

For other issues such as missing components or parts, damage not related to shipping, or concealed damage, you should make claims to Chauvet within seven (7) days of receiving the merchandise.

Text Conventions

Convention	Meaning
<Menu>	A key to be pressed on the fixture's control panel
1-512	A range of values
50/60	A set of values of which only one can be chosen
<i>Claims</i>	A section or chapter in this document
<i>Settings</i>	A menu option not to be modified (for example, showing the operating mode/current status)
<i>Menu > Settings</i>	A sequence of menu options to be followed
ON	A value to be entered or selected

Icons

Icon	Meaning
	This paragraph contains critical installation, configuration, or operation information. Failure to comply with this information may render the fixture partially or completely inoperative, cause damage to the fixture, or cause harm to the user.
	This paragraph contains important installation or configuration information. Failure to comply with this information may prevent the fixture from functioning correctly.
	This paragraph reminds you of useful, although not critical, information.

Document Information

The information and specifications contained in this document are subject to change without notice. Chauvet assumes no responsibility or liability for any errors or omissions that may appear in this manual. Chauvet reserves the right to update the existing document or to create a new document to correct any errors or omissions.

You can download the latest version of this document from www.chauvetlighting.com.

© Copyright 2016 Chauvet. All rights reserved

Electronically published by Chauvet in the United States of America

Product at a Glance

Use on Dimmer	✗	Auto Programs	✗
Outdoor Use	✗	Fixed voltage (120 V / 230 V)	P
Sound Activated	✗	Replaceable Fuse	P
DMX	✗	User Serviceable	✗
Master/Slave	✗	Duty Cycle	✗

Safety Notes

Please read the following notes carefully before starting to work with this product. They include important safety information about its installation, usage, and maintenance.



- Always connect this product to a grounded circuit to avoid the risk of electrocution.
- Always disconnect this product from the power source before cleaning it or replacing the fuse.
- Make sure the power cord is not crimped or damaged.
- Never disconnect this product from power cord by pulling or tugging on the cord.
- If mounting this product overhead, always secure it to a fastening device using a safety cable.
- Make sure there are no flammable materials close to the unit while operating.
- Do not touch this product's housing when operating because it may be very hot.
- Do not mount this product on a flammable surface (linoleum, carpet, wood, paper, carton, plastic, etc.)
- This product's nozzle is very hot during operation and it remains hot for a long time after operation has stopped.
- The fog exits the nozzle at a very high temperature. Keep a minimum distance of 6.5 ft (2 m) from the nozzle to the nearest object.
- Do not use this product as a space heater.
- Do not add flammable liquids (alcohol, perfume, gasoline, kerosene, solvents, etc.) to the fog fluid.
- Avoid ingesting the fog fluid. If that happens, immediately call the medical emergency number (911 in the US) and seek help.



- Always make sure that the voltage of the outlet to which you are connecting this product is within the range stated on the decal or rear panel of the fixture.
- This product is for indoor use only! (IP20) To prevent risk of fire or shock, do not expose this fixture to rain or moisture.
- Always install this product in a location with adequate ventilation, at least 20 in (50 cm) from adjacent surfaces.
- Be sure that no ventilation slots on the unit's housing are blocked.
- Never connect this product to a dimmer pack.
- Make sure to replace the fuse with another of the same type and rating.
- Never carry this product from the power cord. Always use the mounting bracket.
- The maximum ambient temperature (Ta) is 104° F (40° C). Do not operate this product at higher temperatures.
- In the event of a serious operating problem, stop using the unit immediately.
- Never try to repair this product. Repairs carried out by unskilled people can lead to damage or malfunction. Please contact the nearest authorized technical assistance center.
- Use only CHAUVET® water-based fog fluid.
- Drain the tank before transporting the product.
- To eliminate unnecessary wear and improve its lifespan, during periods of non-use completely disconnect the product from power via breaker or by unplugging it.



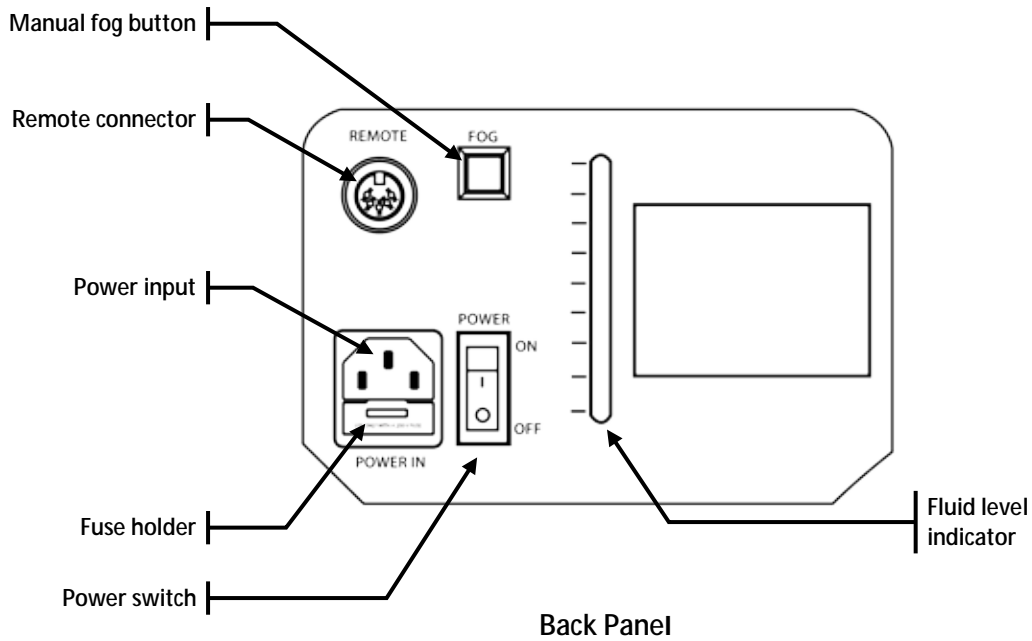
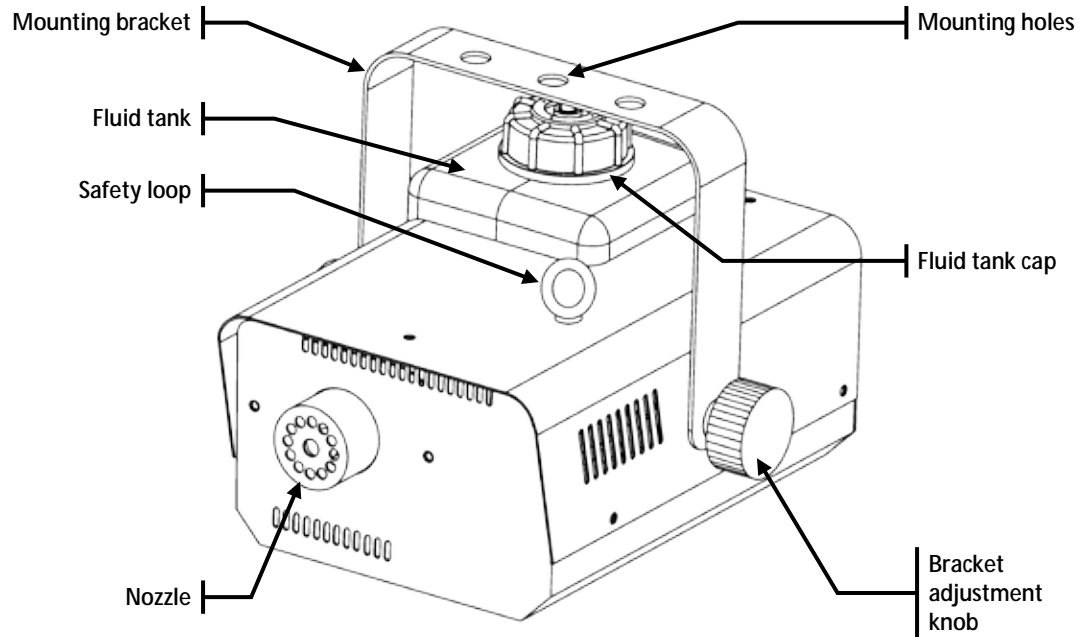
- Keep this User Manual for future consultation. If you sell this product to another user, be sure that they also receive this document.



- FCQ (Fog Cleaner Quart) was specifically developed by Chauvet to clean your Hurricane 1101. Make sure you use FCQ regularly, no longer than 90 days between cleanings, to prolong the life of your fogger.

2. INTRODUCTION

Product Overview



3. SETUP

AC Power

This product has a fixed voltage power supply and it can work with an input voltage of either 120 V, 60 Hz or 230 V, 50 Hz, depending on the specific model.



Make sure that the model of your Hurricane 901 fogger matches the voltage of the power outlet to which you want to connect it, whether 120 V or 230 V. Connecting this product to the wrong input voltage would void its warranty and it may permanently damage the Hurricane 901.

To determine the power requirements for this product (circuit breaker, power outlet, and wiring), use the current value listed on the label affixed to the product's back panel, or refer to the product's specifications chart. The listed current rating indicates the product's average current draw under normal conditions.



Always connect this product to a protected circuit (circuit breaker or fuse), making sure that it has an appropriate electrical ground to avoid the risk of electrocution or fire.



Never connect this product to a rheostat (variable resistor) or dimmer circuit, even if the rheostat or dimmer channel serves only as a 0 to 100% switch.

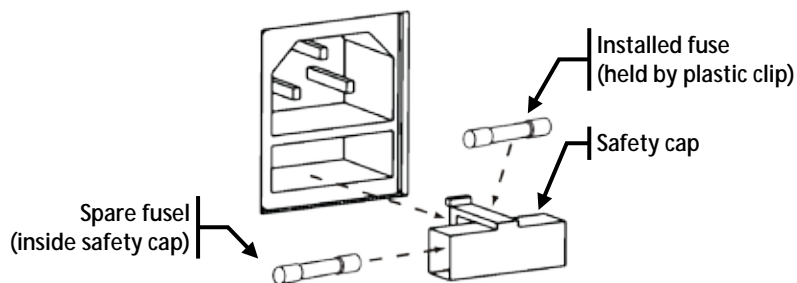
Fuse Replacement

This product uses an F 10 A, 250 V fuse. Follow the instructions below to change it in case it blows.



Disconnect this product from the power outlet before replacing the fuse.

- 1) Wedge the tip of a flat head screwdriver into the slot of the fuse holder and pry it out of its housing.
- 2) Remove the blown fuse from its holder and replace it with a fuse of the exact same type and rating.
- 3) Insert the fuse holder back into its place, and reconnect power.



Always replace a blown fuse with a good fuse of the same type and rating.



Although the safety cap does have room for a spare fuse, this product ships with no spare fuse.

Mounting

Before mounting this product, read and follow the safety recommendations indicated in the *Safety Notes* section (page 2 of this manual).

Orientation

The Hurricane 901 may be mounted in any position, provided there is adequate room for ventilation around it.

Rigging

Before deciding on a location for this product, always make sure that it will be easy to access the unit for maintenance and fluid replenishment purposes.

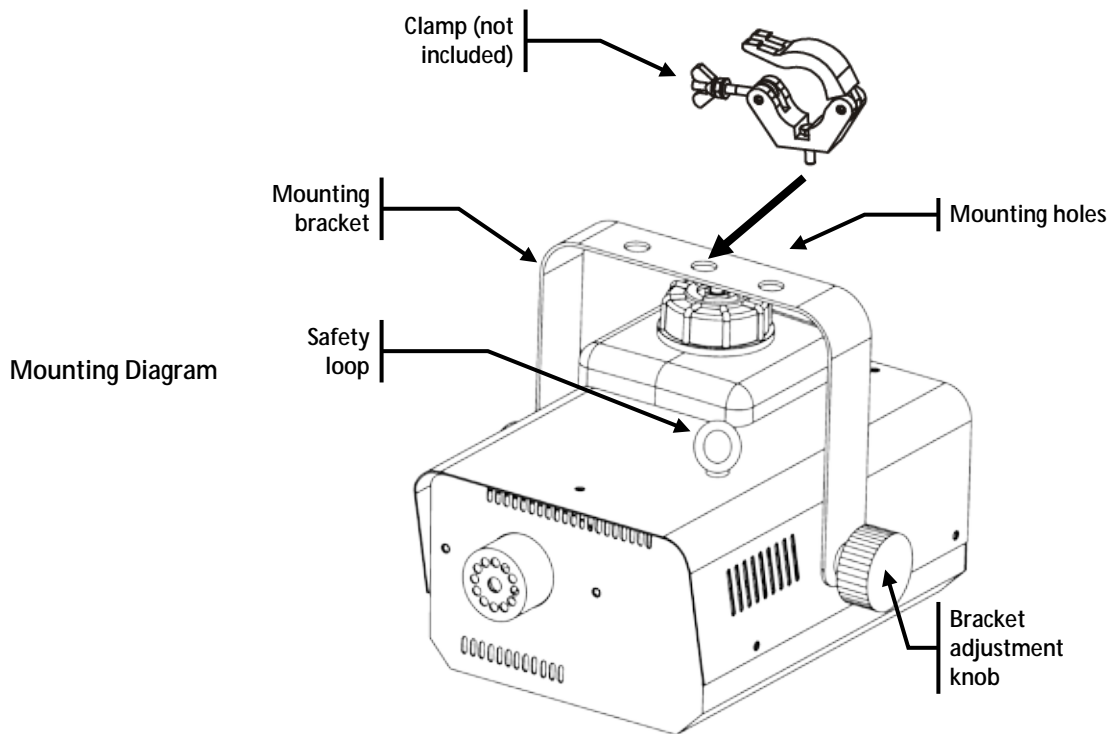
Make sure that the structure or surface onto which you are mounting this product can support its weight. Please see the *Technical Specifications* section of this manual for weight information.

When mounting this product overhead, always use a safety cable. Mount the fixture securely to a rigging point, whether an elevated platform or a truss.

When rigging this product onto a truss, you should use a mounting clamp of appropriate weight capacity. The bracket has three M8 size holes, which are appropriate for this purpose.

The bracket adjustment knobs allow for directional adjustment when aiming the product to the desired angle. Only loosen or tighten the bracket knobs using your bare hands. Using tools could damage the knobs.

The rubber feet allow for surface mounting. When mounting this fixture on the floor, make sure that the fixture and its cables are away from people and vehicles. Refer to the *Safety Notes* section (page 2 of this manual)



4. OPERATION

Manual Local Operation

To operate the Hurricane 901, do the following:

- 1) Plug the fog machine into power and turn the power switch to the fixture on.
- 2) Press <FOG> on the rear of the fog machine to trigger the fog output. The fog will start.
- 3) Release the button to stop the fog output.

Manual Remote Operation

The Hurricane 901 comes with a wired manual remote control (model FC-M). This control allows the user to start and stop the fog output.

To operate this product, follow the instructions below:

- 1) Plug the fog machine into power and turn the power switch to the fixture on.
- 2) Plug in the wired manual remote FC-M into the Remote Control socket on the rear of the fog machine.
- 3) Press <FOG> on the remote to trigger the fog output. The fog will start.
- 4) Release the button to stop the fog output.



The Hurricane 901 unit may stop producing fog to allow for fluid reheating after a period of continuous fog output. This is a normal occurrence.

Wireless Remote Operation

The Hurricane 901 can operate with the optional wireless remote control (model FC-W). This control allows the user to start and stop the fog output manually without the limitations of the wired remote controls.

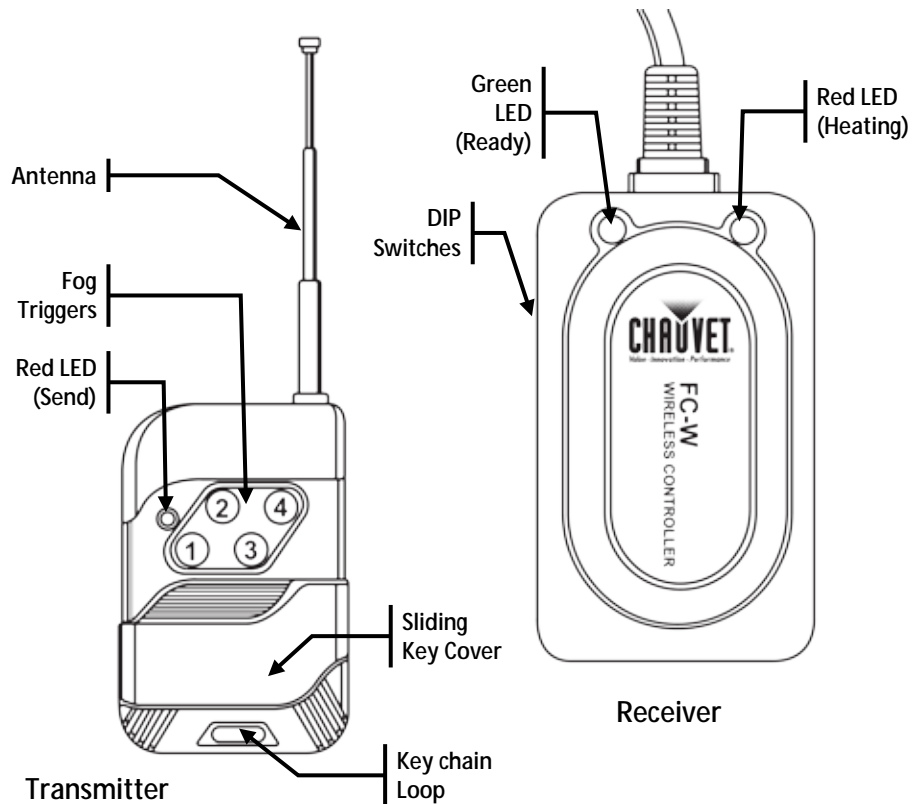
The FC-W consists of a receiver and a key chain transmitter. The transmitter has four control buttons, each of them assigned to a specific channel. The receiver has four DIP switches to tune it on one of those four channels. This allows the operator to control up to four independent Hurricane 901 units. It is also possible to control more than four Hurricane 901 units by assigning the same receiving channel to more than one Hurricane 901 unit.

To operate this product, follow the instructions below:

- 1) Plug the fog machine into power and turn the power switch to the fixture on.
- 2) Plug in the wireless remote control receiver FC-W into the Remote Control socket on the rear of the fog machine.
- 3) Select the receiving channel by configuring the DIP switch as follows:

Channel	DIP Switches			
	1	2	3	4
1	ON	Off	Off	Off
2	Off	ON	Off	Off
3	Off	Off	ON	Off
4	Off	Off	Off	ON

- 4) Press the corresponding button on the FC-W transmitter and the Hurricane 901 will output fog for as long as you keep that button pressed.



The Hurricane 901 unit may stop producing fog to allow for fluid reheating after a period of continuous fog output. This is a normal occurrence.

5. TECHNICAL INFORMATION

Fogger Maintenance

Do not allow the fogger to become clogged. After every 40 hours of continuous operation, use CHAUVET Fog Cleaner Quart (FCQ) through the system to prevent the accumulation of particulate matter in the heating element.

The recommended cleaning procedure is as follows.

1. Unplug the product from power.
2. Empty all fog fluid from the machine.
3. Add cleaning solution to the tank.
4. Connect the product to power and allow it to warm up.
5. Run the unit in a well-ventilated area until the tank is almost empty. **Do not allow the pump to run dry.**
6. Refill with fogger fluid to continue using the fogger. Run the machine briefly to clear any remaining cleaning solution from the pump and heater.



Do not operate the machine without fluid at any time.



Fog Cleaner Quart (FCQ) was specifically developed by Chauvet to clean your Hurricane 901. Make sure you use FCQ regularly, no longer than 90 days between cleanings, to prolong the life of your product.

Storage

Before storing the fogger, run FCQ through the system as described in the cleaning procedure above; however, only follow steps 1 through 5. **Do not refill the tank with fog fluid if storing the fogger.** Cleaning the system prior to storage will help prevent any particles from condensing inside the pump or heater while not in use.



Test-run your Hurricane 901 on a monthly basis to achieve the best performance.

General Troubleshooting

Symptom	Possible Cause	Possible Action
No output or fog machine is spitting fluid	Incorrect fluid	Clean thoroughly with CHAUVET® FCQ. For full instructions, see Fogger Maintenance . Refill with CHAUVET® water-based fog fluid.
	Blocked pipe or failing part	Contact Customer Service
Circuit breaker or fuse keeps blowing	Excessive load on the circuit	Make sure that the total load does not exceed 80% of the breaker or fuse nominal current
	Short circuit along the power lines	Check the power lines and power cords
Product does not power up	No energy on power outlet	Check power outlet Change to another outlet
	Loose or damaged power cord	Check the power cord
	Blown fuse	Replace blown fuse with a good one of the same type and rating
	Internal problem	Send product for repair
Product does not output fog	No fluid	Turn the product off and replenish the fog fluid (use only Chauvet fog fluid)
	Heater or pump clogged	Use Chauvet cleaner to free the path.
	Wired remote disconnected or defective	Make sure that the remote is connected Try the remote on another HURRICANE 901
	Inappropriate wired remote operation	Read the instructions for both wired remote units
	Wireless remote receiver not connected	Make sure that the wireless remote receiver is connected
	Wireless remote transmitter ran out of battery	Replace battery on wireless remote transmitter
	Wireless remote pair needs configuration	Make sure to configure the wireless remote pair as per the instructions in this manual
	Internal problem	Send the product for repair



If you still experience problems after trying the above solutions, contact Chauvet Technical Support. See [Contact Us](#).

RETURNS

To return a product or request support:

- In the U.S., contact Chauvet World Headquarters (see [Contact Us](#)).
- In the UK or Ireland, contact Chauvet Europe Ltd. (see [Contact Us](#)).
- In Mexico, contact Chauvet Mexico (see [Contact Us](#)).
- In any other country, DO NOT contact Chauvet. Contact your distributor. See www.chauvetlighting.com for distributors outside the U.S., United Kingdom, Ireland, or Mexico.



If you live outside the U.S., United Kingdom, Ireland, or Mexico, contact your distributor of record and follow their instructions on how to return Chauvet products to them. Visit our website for contact details.

RMA

Call the corresponding Chauvet Technical Support office and request a Return Merchandise Authorization (RMA) number before shipping the product. Be prepared to provide the model number, serial number, and a brief description of the cause for the return.

You must send the merchandise prepaid, in its original box, and with its original packing and accessories. Chauvet will not issue call tags.

Clearly label the package with the RMA number. Chauvet will refuse any product returned without an RMA number.



Write the RMA number on a properly affixed label. DO NOT write the RMA number directly on the box.

Before sending the product, clearly write the following information on a piece of paper and place it inside the box:

- Your name
- Your address
- Your phone number
- RMA number
- A brief description of the problem

Be sure to pack the product properly. Any shipping damage resulting from inadequate packaging will be your responsibility. FedEx packing or double-boxing are recommended.



Chauvet reserves the right to use its own discretion to repair or replace returned product(s).

6. TECHNICAL SPECIFICATIONS

Dimensions and Weight	Length	Width	Height	Weight
	10.4 in (264 mm)	8.7 in (221 mm)	9.1 in (231 mm)	7.7 lb (3.5 kg)
Note: Dimensions in inches rounded to the nearest decimal digit.				
Power	Power Supply Type	Range		Voltage Selection
	Magnetic (internal)	120 V, 60 Hz or 230 V, 50 Hz		Fixed (per model)
	Parameter	120 V, 60 Hz		230 V, 50 Hz
	Consumption	670 W		670 W
Operating Current	5.6 A		2.9 A	
Fuse	F 10 A, 250 V		F 10 A, 250 V	
Operation	Power I/O	US/Worldwide	UK/Europe	
	Power input connector	IEC	IEC	
	Power Cord plug	Edison (US)	Local plug	
	Heat-up Time	Tank Capacity		
1.5 min	1.3 liter			
Remote Controllers	Remote Control	Cable Length	Included/Optional	
	FC-M	15 ft (462 cm)	Included	
	FC-W	N/A	Optional	
Fog Production	Output	Fluid Consumption	Tank Capacity	
	4,000 cfm	11 ml/min	0.3 gal (1.3 l)	
Thermal	Max. External Temperature	Cooling System	Indoor/Outdoor	
	104° F (40° C)	Convection	Indoor only	
Ordering				
Product	Product Name	Item Code	Item Number	
	Hurricane 901 (120 V)	09070324	H901	
	Hurricane 901 (230 V)	09070325	220VH901	
Optional Remotes	Product Name	Item Code	Item Number	
	Fogger Wireless Remote	05080151	FC-W	



CONTACT Us

WORLD HEADQUARTERS	
General Information Address: 5200 NW 108th Avenue Sunrise, FL 33351 Voice: (954) 577-4455 Fax: (954) 929-5560 Toll free: (800) 762-1084	Technical Support Voice: (844) 393-7575 Fax: (954) 756-8015 Email: Chauvetcs@chauvetlighting.com World Wide Web www.chauvetlighting.com
EUROPE	
General Information Address: Stokstraat 18 9770 Kruishoutem Belgium Voice: +32 9 388 93 97	General Info Technical Support Email: Eutech@chauvetlighting.eu World Wide Web www.chauvetlighting.eu
General Information Address: Unit 1C Brookhill Road Industrial Estate Pinxton, Nottingham, UK NG16 6NT Voice: +44 (0)1773 511115 Fax: +44 (0)1773 511110	Technical Support Email: uktech@chauvetlighting.com World Wide Web www.chauvetlighting.co.uk
MEXICO	
General Information Address: Av. de las Partidas 34-3B, Zona Industrial Lerma Lerma, Mexico C.P. 52000 Voice: +52 (728) 285-5000	Technical Support Email: servicio@chauvet.com.mx World Wide Web www.chauvet.com.mx

Visit the applicable website above to verify our contact information and instructions to request support. Outside the U.S., United Kingdom, Ireland, or Mexico, contact your dealer.