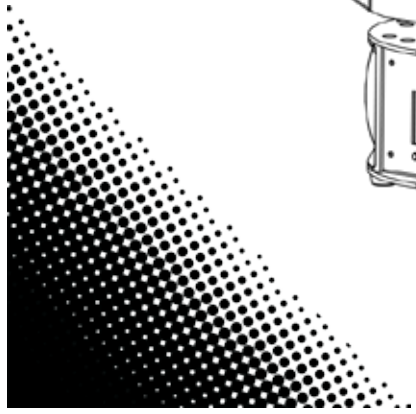
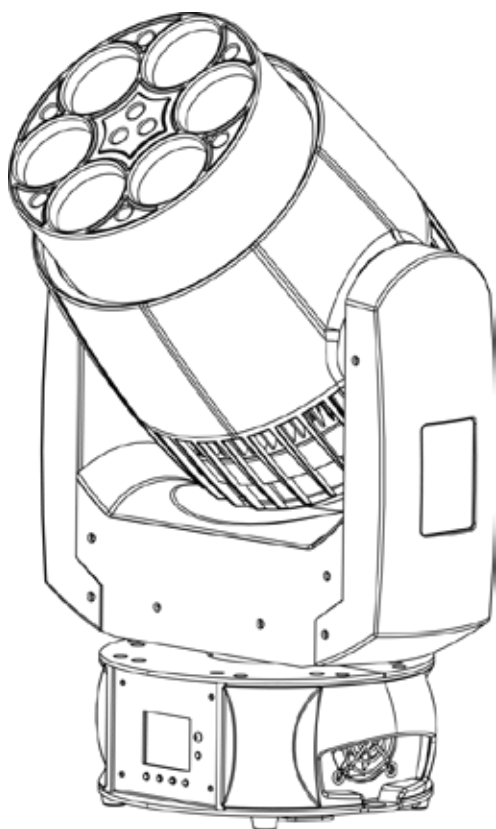


INTIMIDATOR

TRIO

Quick Reference Guide



About This Guide

The Intimidator Trio Quick Reference Guide (QRG) has basic product information such as mounting, menu options, and DMX values. Download the User Manual from www.chauvetlighting.com for more details.

Disclaimer

The information and specifications contained in this QRG are subject to change without notice.

Safety Notes

These Safety Notes include important information about installation, use, and maintenance.



- Only connect this product to a grounded and protected circuit.
- Always disconnect from power before cleaning or replacing the fuse.
- Do not look at the light source when the product is on.
- Make sure the power cord is not crimped or damaged.
- Never disconnect this product from power by pulling on the cord.
- When mounting this product overhead, use a safety cable.
- Do not allow flammable materials close to the unit while operating.
- Do not touch this product when it is operating because it may be hot.



- The voltage of the outlet to which you are connecting this product must be within the range stated on the decal or rear panel of the product.
- This product is for indoor use only! (IP20) To prevent risk of fire or shock, do not expose this product to rain or moisture.
- Always mount this product in a location with adequate ventilation, at least 20 in (50 cm) from adjacent surfaces.
- Be sure that no ventilation slots on the unit's housing are blocked.
- Never connect this product to a dimmer or rheostat.
- Replace the fuse with another of the same type and rating.
- Only use the handles or attached mounting clamp of appropriate weight capacity to carry this product.
- The maximum ambient temperature is 104 °F (40 °C). Do not operate this product at higher temperatures.
- In the event of a serious operating problem, stop using immediately.
- Do not open this product. It contains no user-serviceable parts.
- To eliminate unnecessary wear and improve its lifespan, during periods of non-use completely disconnect the product from power via breaker or by unplugging it.

Contact

Outside the U.S., United Kingdom, Ireland, Mexico, or Benelux contact your distributor to request support or return a product. Visit www.chauvetlighting.com for contact information.

What is Included

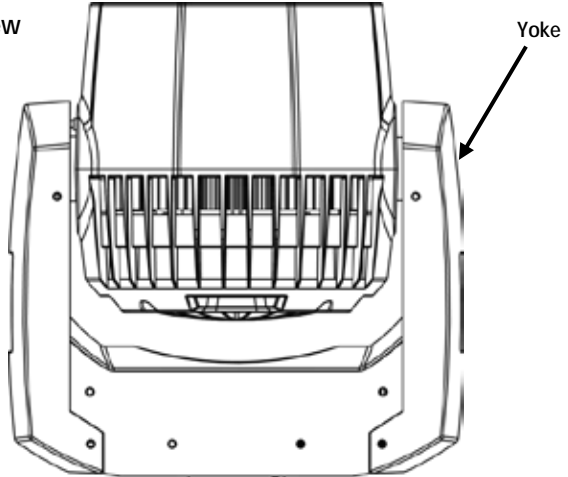
- Intimidator Trio
- Hanging Bracket with Mounting Hardware
- Power Cord
- Warranty Card
- Quick Reference Guide

To Begin

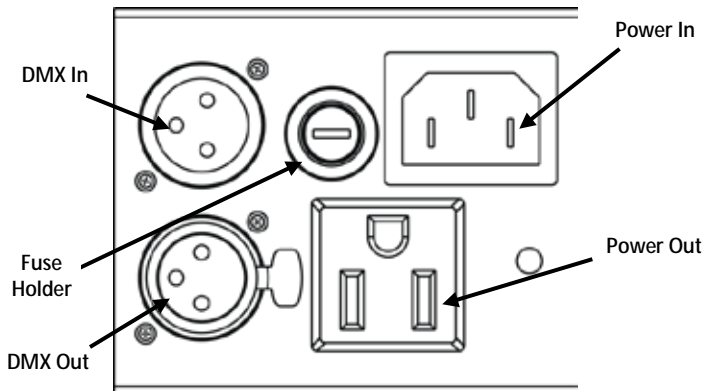
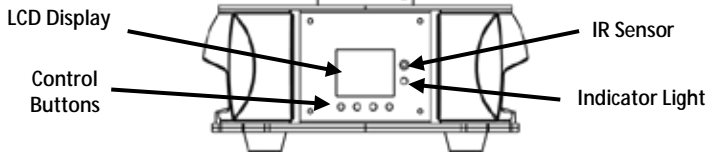
Unpack your Intimidator Trio and make sure you have received all parts in good condition. If the box or contents appear damaged, notify the carrier immediately, not Chauvet.

Description The Intimidator Trio is a feature-packed compact moving head effect light with beam, wash and effect features. It has 6 quad-color RGBW LEDs. Motorized zoom allows short-throw and long-throw applications, continuously rotating honeycomb delivers the excitement of an effect light. Simple navigation and full text readout is displayed on a high-contrast, full-color LCD display. Generate a synchronized show in Master/Slave mode with easy-to-access, built-in automated programs. The optional IRC-6 remote from Chauvet offers convenient, wireless non-DMX control. The Intimidator Trio fits best in the CHS-50 VIP Gear Bag available from Chauvet.

Front View



Overview



Back Panel View

AC Power This product has an auto-ranging power supply that can work with an input voltage range of 100 to 240 VAC, 50/60 Hz.

Power Linking For the maximum number of Intimidator Trio products that you can power link at each voltage, see the User Manual or the sticker on the product.

Fuse Replacement

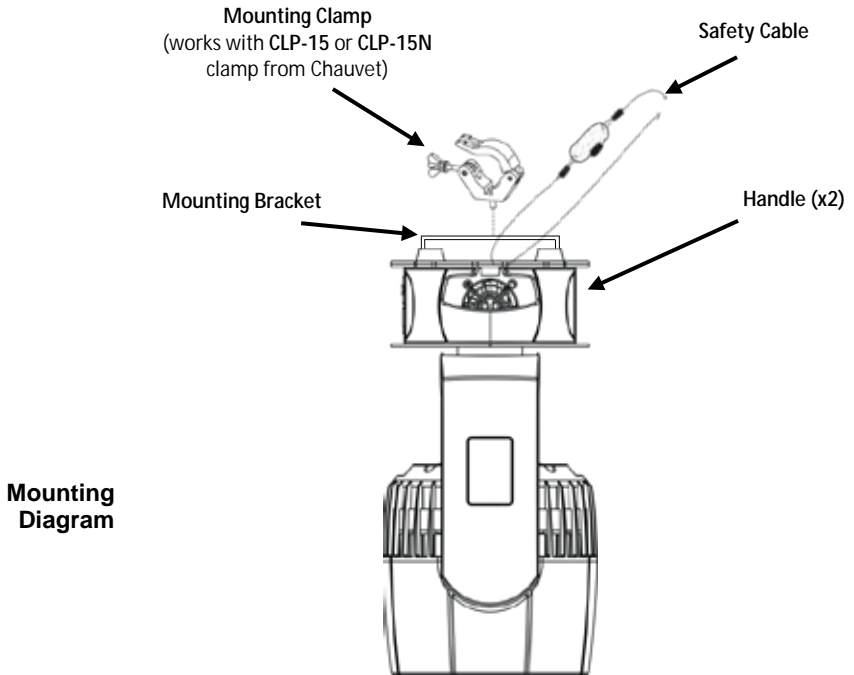
1. Disconnect the product from power.
2. Using a flat-head screwdriver, loosen the fuse holder and pull straight out.
3. Remove the blown fuse from the holder and replace with a fuse of the exact same type and rating.
4. Re-insert the fuse holder and reconnect power.

Infrared Remote Control 6 (IRC-6) The Intimidator Trio is compatible with the Infrared Remote Control 6 (IRC-6) from Chauvet.

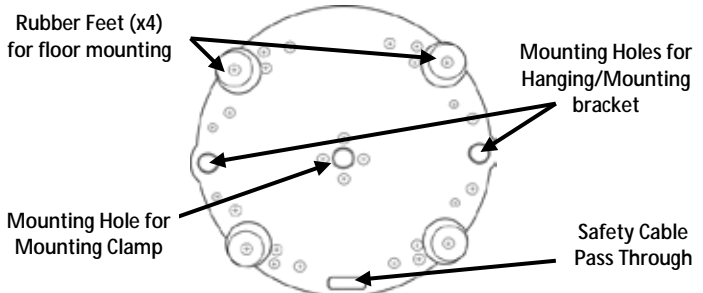
The following IRC-6 buttons are used with the Intimidator Trio:

- <**BLACKOUT**> - turns LED on/off
- <**AUTO**> - selects auto program mode (scrolling)
- <**SOUND**> - selects Sound-Active mode
- <**STROBE**> - strobing (0–20 Hz)
- <**SPEED**> - Pan/Tilt auto program speed
- <**SENSITIVITY**> - selects sound sensitivity
- <**%**> - LED dimmer
- <**FADE/SNAP**> - Press once for Fade color change/Press twice for Snap
- <**MANUAL**> - manual control
- <**R**> - red LED manual control
- <**G**> - green LED manual control
- <**B**> - blue LED manual control
- <**W**> - white LED manual control
- <**UV**> - Zoom/rotating manual adjustment
- <**A**> - Pan/Tilt manual adjustment
- <**+**> - Increase
- <**-**> - Decrease
- <**0**> to <**9**> - Select auto program by number

Mounting Before mounting this product, read the [Safety Notes](#).



Mounting Diagram



⚠ When using only one mounting clamp, be sure to use a clamp with a captive bolt to prevent accidental loosening.

Control Panel Description	Button	Function
	<MENU>	Exits from the current menu or function
	<UP>	Navigates upwards through the menu list and increases the numeric value when in a function
	<DOWN>	Navigates downwards through the menu list and decreases the numeric value when in a function
	<ENTER>	Enables the currently displayed menu or sets the currently selected value into the selected function

Menu Options

Main Function	Programming Levels		Description	
Address	001–512		Sets the DMX starting address	
Run Mode	DMX	15CH	Selects DMX mode	
		30CH		
	Slave	Slave 1–4	Selects Slave mode	
	Auto		Selects Auto mode	
	Sound		Selects Sound-Active mode	
	IR		Selects infrared control	
	Manual	Pan	000–255	Manual Pan control
		Tilt	000–255	Manual Tilt control
		P/T Speed	000–255	Manual Pan/Tilt Speed control
		Color	000–255	Manual Color control
		Rotate	000–255	Manual Rotate control
Zoom		000–255	Manual Zoom control	
Dimmer		000–255	Manual Dimmer control	
	Shutter	000–255	Manual Shutter control	
Setup	Pan Reverse	OFF	Normal pan operation	
		ON	Reverse pan operation	
	Tilt Reverse	OFF	Normal tilt operation	
		ON	Reverse tilt operation	
	Pan Angle	540	Selects the 540° pan angle range	
		360	Selects the 360° pan angle range	
		180	Selects the 180° pan angle range	
	Tilt Angle	270	Selects the 270° tilt angle range	
		180	Selects the 180° tilt angle range	
		90	Selects the 90° tilt angle range	
	Totem Mode	OFF	Normal Mode	
		UP	Totem Mode Base Up	
		DOWN	Totem Mode Base Down	
	P/T Speed	Normal	Selects the panning/tilting speed	
		Fast		
		Slow		
	Fans	Auto	Sets fan speed according to temperature	
		Full	Fan speed set to full speed	
	Display	OFF	Display background light turns off after inactivity	
		ON	Display background light stays on	
Screen Rev	OFF	Normal display		
	ON	Reverse display		
Dimmer Curve	Square	Selects the dimmer curve mode		
	I Squa			
	SCurve			
	Linear			
Dimmer Speed	Fast	Selects the dimmer speed		
	Smooth			

Main Function	Programming Levels		Description
Setup (cont.)	Color Balance	RED	Selects color balance (100 to 255)
		GREEN	
		BLUE	
		WHITE	
	Sensitivity	001-100	Sets sound sensitivity
	Reset		Resets the product
Factory Set		Loads factory defaults	
Sys Info	Ver V_		Displays the software version
	Running Mode _ _ _ _ _		Displays the current running mode
	DMX Address _ _ _		Displays the current DMX address
	Temperature _ _ _		Displays the LED temperature in Celsius

DMX Linking The Intimidator Trio can work with a DMX controller when linked by DMX serial connections. Instructions for connecting and configuring this product for DMX operation are in the User Manual. If you are not familiar with DMX, download the DMX Primer from www.chauvetlighting.com.

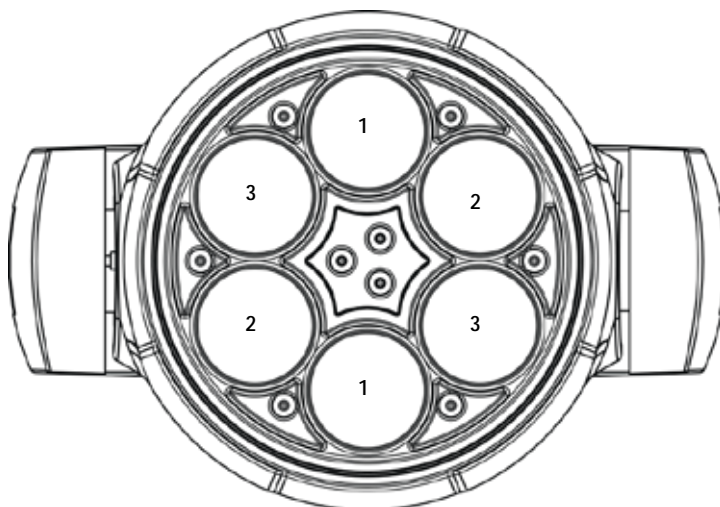
Starting Address To ensure full access to all channels in each DMX mode, the highest recommended DMX address is **483**.

Master/Slave Connection The Intimidator Trio uses the DMX data connection for its Master/Slave mode. Instructions for connecting and configuring this product for Master/Slave operation are in the User Manual.

DMX Values

30-CH	Channel	Function	Value	Percent/Setting
	1	Pan	000 ◊ 255	0 to 540°
	2	Fine Pan	000 ◊ 255	Fine control of panning
	3	Tilt	000 ◊ 255	0 to 270°
	4	Fine Tilt	000 ◊ 255	Fine control of tilting
	5	Speed	000 ◊ 255	Pan/Tilt speed (fast to slow)
	6	Red	000 ◊ 255	0 to 100%
	7	Green	000 ◊ 255	0 to 100%
	8	Blue	000 ◊ 255	0 to 100%
	9	White	000 ◊ 255	0 to 100%
	10	Red	000 ◊ 255	0 to 100%
	11	Green	000 ◊ 255	0 to 100%
	12	Blue	000 ◊ 255	0 to 100%
	13	White	000 ◊ 255	0 to 100%
	14	Red	000 ◊ 255	0 to 100%
	15	Green	000 ◊ 255	0 to 100%
	16	Blue	000 ◊ 255	0 to 100%
	17	White	000 ◊ 255	0 to 100%
	18	No function	000 ◊ 255	No function (Preset)
	19	No function	000 ◊ 255	No function (Preset)
	20	No function	000 ◊ 255	No function (Preset)
	21	No function	000 ◊ 255	No function (Preset)

Intimidator Trio Zones of Control



30-CH
(cont.)

Channel	Function	Value	Percent/Setting
22	Colors	000 ó 004	No function
		005 ó 009	Color 1
		010 ó 014	Color 2
		015 ó 019	Color 3
		020 ó 024	Color 4
		025 ó 029	Color 5
		030 ó 034	Color 6
		035 ó 039	Color 7
		040 ó 044	Color 8
		045 ó 049	Color 9
		050 ó 054	Color 10
		055 ó 059	Color 11
		060 ó 064	Color 12
		065 ó 069	Color 13
		070 ó 074	Color 14
		075 ó 079	Color 15
		080 ó 084	Color 16
		085 ó 089	Color 17
		090 ó 094	Color 18
		095 ó 099	Color 19
		100 ó 104	Color 20
		105 ó 109	Color 21
		110 ó 114	Color 22
		115 ó 119	Color 23
		120 ó 124	Color 24
		125 ó 129	Color 25
		130 ó 134	Color 26
		135 ó 139	Color 27
		140 ó 144	Color 28
		145 ó 149	Color 29
		150 ó 154	Color 30
		155 ó 159	Color 31
160 ó 164	Color 32		
165 ó 169	Color 33		
170 ó 174	Color 34		
175 ó 179	No function		
180 ó 201	Clockwise color change (fast to slow)		
202 ó 207	Stop (color stays in the current color)		
208 ó 229	Counter-clockwise color change (fast to slow)		
230 ó 234	No function		
235 ó 249	Color jump (fast to slow)		
250 ó 255	Sound-Active colors		

30-CH (cont.)	Channel	Function	Value	Percent/Setting
23	Built-in Control	000 ○ 015	No function	
		016 ○ 031	Zone macro 1	
		032 ○ 047	Zone macro 2	
		048 ○ 063	Zone macro 3	
		064 ○ 079	Zone macro 4	
		080 ○ 095	Zone macro 5	
		096 ○ 111	Zone macro 6	
		112 ○ 127	Built-in 7 (zone macros 1—6)	
		128 ○ 143	Built-in Auto 1	
		144 ○ 159	Built-in Auto 2	
		160 ○ 175	Built-in Auto 3	
		176 ○ 191	Built-in Auto 4	
		192 ○ 207	Built-in Auto 5	
		208 ○ 223	Built-in Auto 6	
		224 ○ 239	Built-in Auto 7	
240 ○ 255	Built-in 8 (built-in auto 1—7)			
24	Built-in Speed	000 ○ 255	Zone macros and built-in auto speed (slow to fast)	
25	Dimmer	000 ○ 255	0 to 100%	
26	Shutter	000 ○ 019	Closed	
		020 ○ 024	Open	
		025 ○ 064	Strobe effect (decreasing speed)	
		065 ○ 069	Open	
		070 ○ 084	Fast on, slow off (decreasing speed)	
		085 ○ 089	Open	
		090 ○ 104	Slow on, fast off (decreasing speed)	
		105 ○ 109	Open	
		110 ○ 124	Random shutter (decreasing speed)	
		125 ○ 129	Open	
		130 ○ 144	Random fast on, slow off (decreasing speed)	
		145 ○ 149	Open	
		150 ○ 164	Random slow on, fast off (decreasing speed)	
		165 ○ 169	Open	
		170 ○ 184	Pulse effect 1 (decreasing speed)	
		185 ○ 189	Open	
		190 ○ 204	Pulse effect 2 (decreasing speed)	
		205 ○ 209	Open	
		210 ○ 224	Gradually on and off (decreasing speed)	
		225 ○ 229	Open	
230 ○ 244	Pulse effect 3 (decreasing speed)			
245 ○ 255	Open			
27	Zoom	000 ○ 255	Zoom in and out	

30-CH
(cont.)

Channel	Function	Value	Percent/Setting
28	Control Functions	000 ó 009	No function
		010 ó 014	Blackout while panning/tilting
		015 ó 019	No function
		020 ó 049	Reserved for future use
		050 ó 054	Reset pan
		055 ó 059	Reset tilt
		060 ó 064	Reset zoom
		065 ó 069	Reset rotation
		070 ó 074	Reset all
		075 ó 079	No function
		080 ó 084	Reverse pan/tilt
		085 ó 089	Reverse pan
		090 ó 094	Reverse tilt
		095 ó 099	Cancel reverse pan
		100 ó 104	Cancel reverse tilt
		105 ó 109	Cancel reverse pan/tilt
		110 ó 114	Pan/Tilt normal speed
		115 ó 119	Pan/Tilt fast speed
		120 ó 124	Pan/Tilt slow speed
		125 ó 129	Fan (full speed)
130 ó 134	Fan (auto)		
135 ó 139	Dimmer, fast		
140 ó 144	Dimmer, smooth		
145 ó 255	No function		
29	Movement Macros	000 ó 007	No function
		008 ó 023	Automatic movement macro 1
		024 ó 039	Automatic movement macro 2
		040 ó 055	Automatic movement macro 3
		056 ó 071	Automatic movement macro 4
		072 ó 087	Automatic movement macro 5
		088 ó 103	Automatic movement macro 6
		104 ó 119	Automatic movement macro 7
		120 ó 135	Automatic movement macro 8
		136 ó 151	Sound-Active movement macro 1
		152 ó 167	Sound-Active movement macro 2
		168 ó 183	Sound-Active movement macro 3
		184 ó 199	Sound-Active movement macro 4
		200 ó 215	Sound-Active movement macro 5
		216 ó 231	Sound-Active movement macro 6
		232 ó 247	Sound-Active movement macro 7
248 ó 255	Sound-Active movement macro 8		
30	Rotating	000 ó 063	Rotating Chase
		064 ó 095	Rotating Small Shake (Slow to Fast)
		096 ó 127	Rotating Large Shake (Slow to Fast)
		128 ó 191	Rotating (slow to fast)
		192 ó 255	Reverse Rotating (slow to fast)

When Ch-27
(Zoom) value is
above 150

15-CH	Channel	Function	Value	Percent/Setting
	1	Pan	000 ○ 255	0 to 540°
	2	Tilt	000 ○ 255	0 to 270°
	3	Speed	000 ○ 255	Pan/Tilt (fast to slow)
	4	Red	000 ○ 255	0 to 100%
	5	Green	000 ○ 255	0 to 100%
	6	Blue	000 ○ 255	0 to 100%
	7	White	000 ○ 255	0 to 100%
	8	Built-in Control	000 ○ 015	No function
			016 ○ 031	Zone macro 1
			032 ○ 047	Zone macro 2
			048 ○ 063	Zone macro 3
			064 ○ 079	Zone macro 4
			080 ○ 095	Zone macro 5
			096 ○ 111	Zone macro 6
			112 ○ 127	Built-in 7 (zone macros 1—6)
			128 ○ 143	Built-in Auto 1
			144 ○ 159	Built-in Auto 2
			160 ○ 175	Built-in Auto 3
			176 ○ 191	Built-in Auto 4
			192 ○ 207	Built-in Auto 5
	208 ○ 223	Built-in Auto 6		
	224 ○ 239	Built-in Auto 7		
	240 ○ 255	Built-in 8 (built-in auto 1—7)		
	9	Built-in Speed	000 ○ 255	Zones and built-in auto speed (slow to fast)
	10	Dimmer	000 ○ 255	0 to 100%

15-CH
 (cont.)

Channel	Function	Value	Percent/Setting
11	Shutter	000 ó 019	Closed
		020 ó 024	Open
		025 ó 064	Strobe effect (decreasing speed)
		065 ó 069	Open
		070 ó 084	Fast on, slow off (decreasing speed)
		085 ó 089	Open
		090 ó 104	Slow on, fast off (decreasing speed)
		105 ó 109	Open
		110 ó 124	Random shutter (decreasing speed)
		125 ó 129	Open
		130 ó 144	Random fast on, slow off (decreasing speed)
		145 ó 149	Open
		150 ó 164	Random slow on, fast off (decreasing speed)
		165 ó 169	Open
		170 ó 184	Pulse effect 1 (decreasing speed)
		185 ó 189	Open
		190 ó 204	Pulse effect 2 (decreasing speed)
205 ó 209	Open		
210 ó 224	Gradually on and off (decreasing speed)		
225 ó 229	Open		
230 ó 244	Pulse effect 3 (decreasing speed)		
245 ó 255	Open		
12	Zoom	000 ó 255	Zoom in and out

15-CH (cont.)	Channel	Function	Value	Percent/Setting
13	Control Functions	000 ○ 009	No function	
		010 ○ 014	Pan/Tilt blackout	
		015 ○ 019	No function	
		020 ○ 049	Reserved for future use	
		050 ○ 054	Reset pan	
		055 ○ 059	Reset tilt	
		060 ○ 064	Reset zoom	
		065 ○ 069	No function	
		070 ○ 074	Reset all	
		075 ○ 079	No function	
		080 ○ 084	Reverse Pan/Tilt	
		085 ○ 089	Reverse pan	
		090 ○ 094	Reverse tilt	
		095 ○ 099	Cancel reverse pan	
		100 ○ 104	Cancel reverse tilt	
		105 ○ 109	Cancel reverse pan/tilt	
		110 ○ 114	Pan/Tilt normal speed	
		115 ○ 119	Pan/Tilt fast speed	
		120 ○ 124	Pan/Tilt slow speed	
		125 ○ 129	Fan (full speed)	
130 ○ 134	Fan (auto)			
135 ○ 139	Dimmer, fast			
140 ○ 144	Dimmer, smooth			
145 ○ 255	No function			
14	Movement Macros	000 ○ 007	No function	
		008 ○ 023	Automatic movement macro 1	
		024 ○ 039	Automatic movement macro 2	
		040 ○ 055	Automatic movement macro 3	
		056 ○ 071	Automatic movement macro 4	
		072 ○ 087	Automatic movement macro 5	
		088 ○ 103	Automatic movement macro 6	
		104 ○ 119	Automatic movement macro 7	
		120 ○ 135	Automatic movement macro 8	
		136 ○ 151	Sound-Active movement macro 1	
		152 ○ 167	Sound-Active movement macro 2	
		168 ○ 183	Sound-Active movement macro 3	
		184 ○ 199	Sound-Active movement macro 4	
		200 ○ 215	Sound-Active movement macro 5	
		216 ○ 231	Sound-Active movement macro 6	
		232 ○ 247	Sound-Active movement macro 7	
248 ○ 255	Sound-Active movement macro 8			
15	Rotating	000 ○ 063	Rotating Chase	When Ch-27 (Zoom) value is above 150
		064 ○ 095	Rotating Small Shake (Slow to Fast)	
		096 ○ 127	Rotating Large Shake (Slow to Fast)	
		128 ○ 191	Rotating (slow to fast)	
		192 ○ 255	Reverse Rotating (slow to fast)	

Acerca de esta guía

La guía de referencia rápida (GRR) del Intimidator Trio contiene información básica sobre el producto, como montaje, opciones de menú y valores DMX. Descargue el manual de usuario de www.chauvetlighting.com para una información más detallada.

Exención de responsabilidad

La información y especificaciones contenidas en esta GRR están sujetas a cambio sin previo aviso.

Notas de seguridad

Estas notas de seguridad incluyen información importante sobre el montaje, uso y mantenimiento.



- Conecte este producto solo a un circuito con toma de tierra y protegido.
- Desconecte siempre de la alimentación antes de la limpieza o sustitución del fusible.
- No mire a la fuente de luz cuando el producto esté encendido.
- Asegúrese de que el cable de alimentación no está retorcido ni estropeado.
- Nunca desconecte este producto de la alimentación tirando del cable.
- Cuando monte este producto en alto, use un cable de seguridad.
- No permita la presencia de materiales inflamables cerca de la unidad cuando esté en funcionamiento.
- No toque este producto cuando esté en funcionamiento, pues podría estar caliente.



- La tensión del enchufe al que conecte este producto ha de estar en el rango establecido en el grabado o en el panel posterior del producto.
- ¡Este producto es para uso en interiores solamente! (IP20) Para evitar riesgos de incendio o descarga, no exponga este producto a la lluvia o la humedad.
- Monte siempre este producto en una ubicación con ventilación adecuada, al menos a 20 in (50 cm) de superficies adyacentes.
- Asegúrese de que ninguna ranura de ventilación en la carcasa de la unidad queda bloqueada.
- Nunca conecte este producto a un atenuador o reostato.
- Sustituya el fusible con otro del mismo tipo y categoría.
- Utilice solo las asas o una abrazadera de montaje acoplada de la resistencia al peso adecuada para trasladar este producto.
- La temperatura ambiente máxima es de 104 °F (40 °C). No haga funcionar este producto a temperaturas más altas.
- En caso de un problema grave de funcionamiento, deje de usarlo inmediatamente.
- No abra este producto. No contiene piezas reparables por el usuario.
- Para evitar un desgaste innecesario y alargar su vida útil, desconecte completamente el producto de la alimentación mediante el interruptor o desenchufándolo durante periodos en que no se use.

Contacto

Fuera de EE. UU., Reino Unido, Irlanda, México o Benelux póngase en contacto con su distribuidor para solicitar asistencia o devolver un producto. Visite www.chauvetlighting.com para información de contacto.

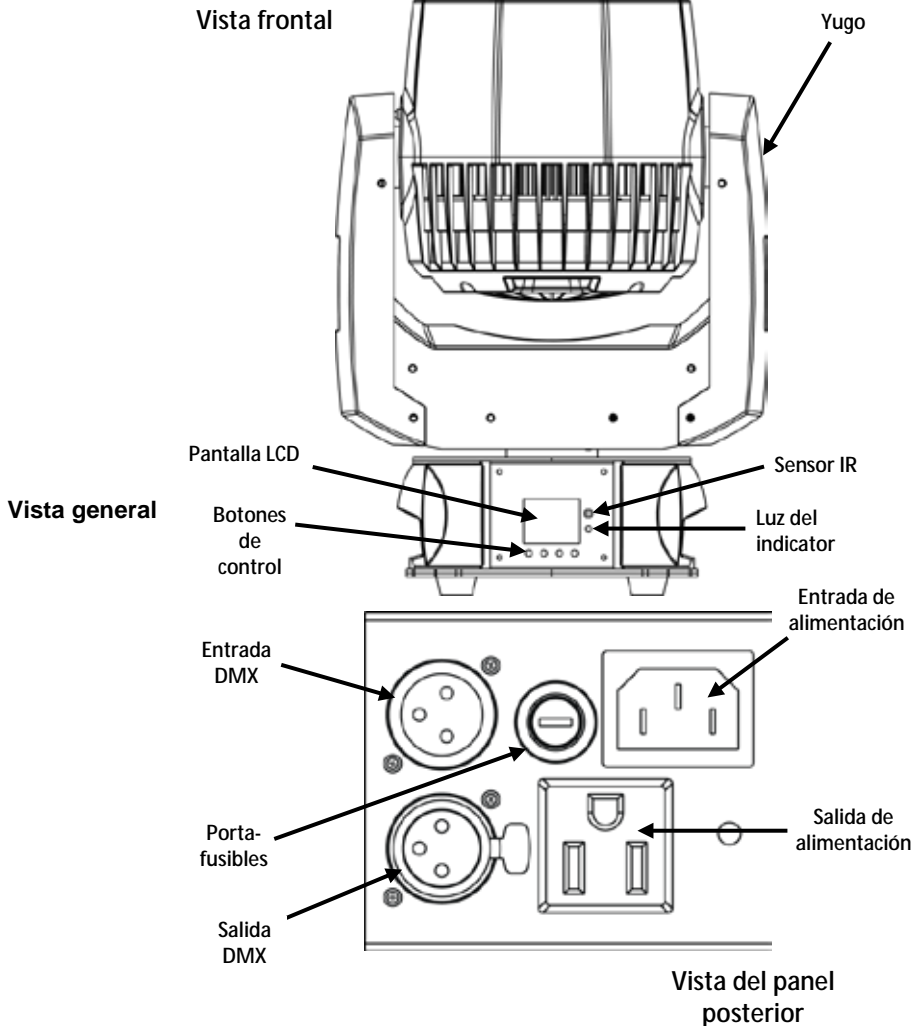
Qué va incluido

- Intimidator Trio
- Soporte para colgar con material de montaje
- Cable de alimentación
- Tarjeta de garantía
- Guía de referencia rápida

Para empezar

Desembale su Intimidator Trio y asegúrese de que ha recibido todas las partes en buen estado. Si la caja o los componentes parecen dañados, notifíquese inmediatamente al transportista, no a Chauvet.

Descripción El Intimidator Trio es un efecto de luz de cabeza móvil compacto y cargado de características, equipado con haz, baño de luz y efectos. Tiene 6 LED RGBW de cuatro colores. El zoom motorizado permite aplicaciones de corto y largo alcance, y el nido de abeja en rotación continua aporta la emoción de un efecto de iluminación. Experimente una navegación sencilla con lectura completa de texto gracias la pantalla LCD de alto contraste a todo color. Genere un espectáculo sincronizado en modo maestro/esclavo con programas automatizados de fácil acceso. El mando a distancia IRC-6 de Chauvet le proporciona un práctico control no-DMX sin cables. El Intimidator Trio cabe perfectamente en la bolsa de material CHS-50 VIP disponible en Chauvet.



Corriente alterna Este producto tiene una fuente de alimentación con detección automática que puede funcionar con un rango de tensión de entrada de 100 a 240 VCA, 50/60 Hz.

Alimentación en cadena Para ver el máximo número de productos Intimidator Trio que se pueden alimentar en cadena, consulte el manual de usuario o la etiqueta del producto

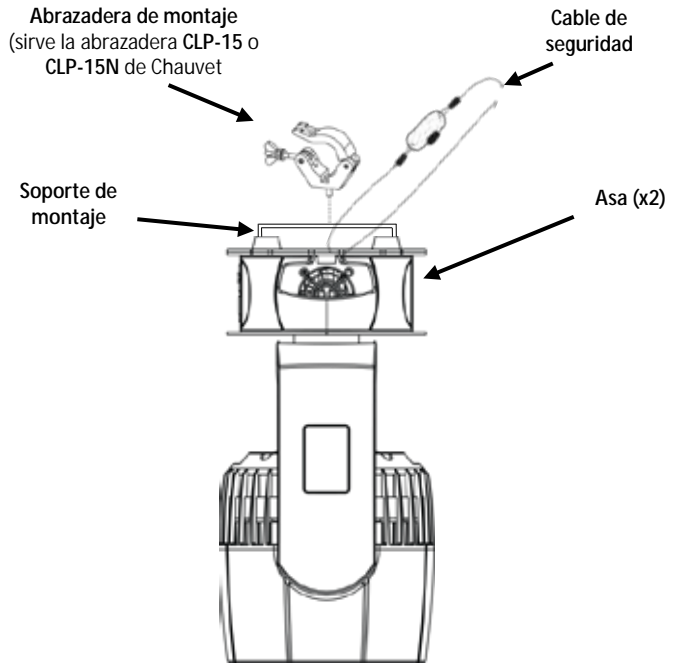
- Sustitución del fusible**
1. Desconecte el producto de la alimentación.
 2. Con ayuda de un destornillador de cabeza plana, afloje el portafusibles y extráigalo directamente.
 3. Quite el fusible fundido del portafusibles y sustituya el fusible con otro del mismo tipo y categoría.
 4. Vuelva a insertar el portafusibles y conecte de nuevo la alimentación.

Control remoto por infrarrojos 6 (IRC-6) El Intimidator Trio es compatible con el mando a distancia por infrarrojos 6 (IRC-6) de Chauvet.

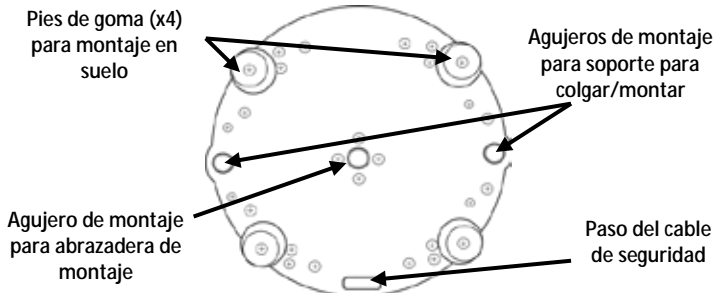
Los siguientes botones del IRC-6 se usan con el Intimidator Trio:

- **<BLACKOUT>**: apaga/enciende el LED
- **<AUTO>**: selecciona el modo de programa automático (desplazamiento)
- **<SOUND>**: selecciona el modo Activo por sonido
- **<STROBE>**: estroboscopio (0–20 Hz)
- **<SPEED>**: velocidad de Desplazamiento lateral/Inclinación del programa automático
- **<SENSITIVITY>**: selecciona la sensibilidad al sonido
- **<%>**: atenuador de LED
- **<MANUAL>**: control manual
- **<FADE/SNAP>**: pulse una vez para cambio de color de Fade/pulse dos veces para cambio rápido
- **<R>**: control manual del LED rojo
- **<G>**: control manual del LED verde
- ****: control manual del LED azul
- **<W>**: control manual del LED blanco
- **<UV>**: ajuste manual del zoom/rotación
- **<A>**: ajuste manual de desplazamiento lateral/inclinación
- **<+>**: aumentar
- **<->**: disminuir
- **<0>** a **<9>**: seleccionar programa automático por número

Montaje Antes de montar este producto, lea las [Notas de seguridad](#).



Vista general



! Cuando use una abrazadera de montaje, asegúrese de usar una abrazadera con tornillo prisionero para evitar que se afloje accidentalmente.

Descripción del panel de control

Botón	Función
<MENU>	Sale del menú o función actual
<UP>	Navega hacia arriba por la lista de menú y aumenta el valor numérico cuando está en una función
<DOWN>	Navega hacia abajo por la lista de menú y disminuye el valor numérico cuando está en una función
<ENTER>	Habilita el menú actualmente en pantalla o configura el valor seleccionado actualmente dentro de la función seleccionada

Opciones de menú

Función principal	Niveles de programación		Descripción	
Address	001–512		Configura la dirección inicial DMX	
Run Mode	DMX	15CH	Selecciona el modo de ejecución DMX	
		30CH		
	Slave	Slave 1–4	Selecciona el modo Maestro/Esclavo	
	Auto		Selecciona el modo automático	
	Sound		Selecciona el modo Activo por sonido	
	IR		Selecciona el control por infrarrojos	
	Manual	Pan	000–255	Ajuste manual de desplazamiento lateral
		Tilt	000–255	Ajuste manual de inclinación
		P/T Speed	000–255	Ajuste manual de velocidad lateral/inclinación
		Color	000–255	Ajuste manual de colores
		Rotate	000–255	Ajuste manual de rotación
		Zoom	000–255	Ajuste manual de zoom
		Dimmer	000–255	Ajuste manual de atenuador
Shutter		000–255	Ajuste manual de obturador	
Setup	Pan Reverse	OFF	Funcionamiento de desplazamiento lateral normal	
		ON	Invierte el funcionamiento del desplazamiento lateral	
	Tilt Reverse	OFF	Funcionamiento inclinación normal	
		ON	Invierte el funcionamiento de la inclinación	
	Pan Angle	540	Selecciona el rango de desplazamiento lateral de 540°	
		360	Selecciona el rango de desplazamiento lateral de 360°	
		180	Selecciona el rango de desplazamiento lateral de 180°	
	Tilt Angle	270	Selecciona el rango de inclinación de 270°	
		180	Selecciona el rango de inclinación de 180°	
		90	Selecciona el rango de inclinación de 90°	
	Totem Mode	OFF	Modo normal	
		UP	Modo columna de soporte, base hacia arriba	
		DOWN	Modo columna de soporte, base hacia abajo	
	P/T Speed	Normal	Selecciona la velocidad de desplazamiento lateral/inclinación	
		Fast		
		Slow		
	Fans	Auto	Configura la velocidad de ventilador según la temperatura	
		Full	Velocidad del ventilador al máximo	
Display	OFF	La luz de la pantalla se apaga después de la inactividad		
	ON	La luz de la pantalla se queda encendida		
Screen Rev	OFF	Pantalla normal		
	ON	Invierte la pantalla		

Función principal	Niveles de programación		Descripción
Setup (cont.)	Dimmer Curve	Square	Selecciona el modo de curva del atenuador
		I Squa	
		SCurve	
		Linear	
	Dimmer Speed	Fast	Selecciona el valor del atenuador
		Smooth	
	Color Balance	RED	Selecciona el equilibrio de color (100 a 255)
		GREEN	
		BLUE	
		WHITE	
Sensitivity	001-100	Selecciona el equilibrio de color (100 a 255)	
Reset		Resets the product	
Factory Set		Carga los valores por defecto de fábrica	
Sys Info	Ver V_		Muestra en pantalla la versión de software
	Running Mode _ _ _ _ _		Muestra el modo de ejecución actual
	DMX Address _ _ _		Muestra la dirección DMX actual
	Temperature _ _ _		Muestra la temperatura del LED en Celsius

Enlace DMX El Intimidator Trio puede funcionar con un controlador DMX cuando se enlaza por conexiones serie DMX. Las instrucciones para conectar y configurar este producto para funcionamiento DMX están en el Manual de usuario. Si no está familiarizado con DMX, descargue el Manual DMX de www.chauvetlighting.com.

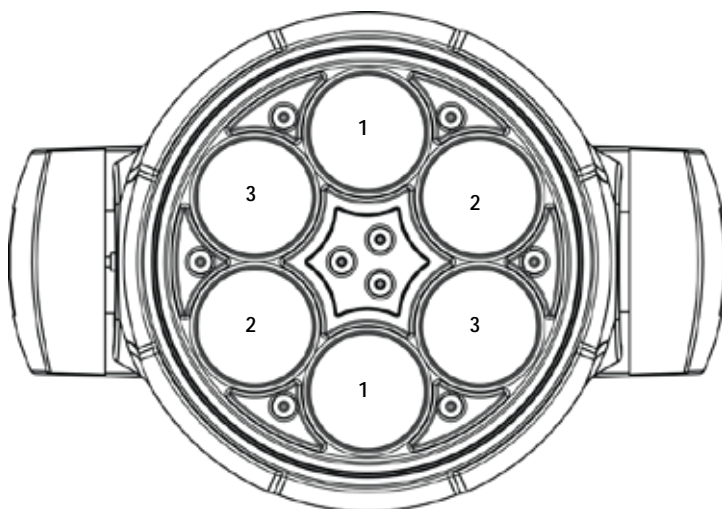
Dirección de inicio Para asegurarse acceso total a todos los canales en cada modo DMX, la dirección DMX más recomendable es **483**.

Conexión Maestro/Esclavo El Intimidator Trio usa la conexión de datos DMX para su modo Maestro/Esclavo. Las instrucciones para conectar y configurar este producto para funcionamiento Maestro/Esclavo están en el manual de usuario.

Valores DMX

30CH	Canal	Función	Valor	Porcentaje/Configuración
	1	Desplazamiento lateral	000 ó 255	0 a 540°
	2	Desplazamiento lateral fino	000 ó 255	Control fino del desplazamiento lateral
	3	Inclinación	000 ó 255	0 a 270°
	4	Inclinación fina	000 ó 255	Control fino de la inclinación
	5	Velocidad	000 ó 255	Velocidad de desplazamiento lateral/inclinación (rápido a lento)
	6	Rojo	000 ó 255	Zona 1
	7	Verde	000 ó 255	
	8	Azul	000 ó 255	
	9	White	000 ó 255	
	10	Blanco	000 ó 255	
	11	Verde	000 ó 255	Zona 2
	12	Azul	000 ó 255	
	13	Blanco	000 ó 255	
	14	Rojo	000 ó 255	Zona 3
	15	Verde	000 ó 255	
	16	Azul	000 ó 255	
	17	Blanco	000 ó 255	
	18	Sin función	000 ó 255	Sin función (preconfigurado)
	19	Sin función	000 ó 255	Sin función (preconfigurado)
	20	Sin función	000 ó 255	Sin función (preconfigurado)
	21	Sin función	000 ó 255	Sin función (preconfigurado)

Zonas de control del Intimidator Trio



30CH
(cont.)

Canal	Función	Valor	Porcentaje/Configuración
22	Colores	000 ó 004	Sin función
		005 ó 009	Color 1
		010 ó 014	Color 2
		015 ó 019	Color 3
		020 ó 024	Color 4
		025 ó 029	Color 5
		030 ó 034	Color 6
		035 ó 039	Color 7
		040 ó 044	Color 8
		045 ó 049	Color 9
		050 ó 054	Color 10
		055 ó 059	Color 11
		060 ó 064	Color 12
		065 ó 069	Color 13
		070 ó 074	Color 14
		075 ó 079	Color 15
		080 ó 084	Color 16
		085 ó 089	Color 17
		090 ó 094	Color 18
		095 ó 099	Color 19
		100 ó 104	Color 20
		105 ó 109	Color 21
		110 ó 114	Color 22
		115 ó 119	Color 23
		120 ó 124	Color 24
		125 ó 129	Color 25
		130 ó 134	Color 26
		135 ó 139	Color 27
		140 ó 144	Color 28
		145 ó 149	Color 29
		150 ó 154	Color 30
		155 ó 159	Color 31
		160 ó 164	Color 32
		165 ó 169	Color 33
170 ó 174	Color 34		
175 ó 179	Sin función		
180 ó 201	Desplazamiento de color en sentido horario (rápido a lento)		
202 ó 207	Parada (el color se queda en el color actual)		
208 ó 229	Desplazamiento de color en sentido antihorario (rápido a lento)		
230 ó 234	Sin función		
235 ó 249	Salto de color (lento a rápido)		
250 ó 255	Colores activos por sonido		

30CH
(cont.)

Canal	Función	Valor	Porcentaje/Configuración
23	Control integrado	000 ó 015	Sin función
		016 ó 031	Macro zona 1
		032 ó 047	Macro zona 2
		048 ó 063	Macro zona 3
		064 ó 079	Macro zona 4
		080 ó 095	Macro zona 5
		096 ó 111	Macro zona 6
		112 ó 127	Integrado 7 (macro de zona 1—6)
		128 ó 143	Auto integrado 1
		144 ó 159	Auto integrado 2
		160 ó 175	Auto integrado 3
		176 ó 191	Auto integrado 4
		192 ó 207	Auto integrado 5
		208 ó 223	Auto integrado 6
		224 ó 239	Auto integrado 7
240 ó 255	Auto integrado 8 (auto integrado 1—7)		
24	Velocidad integrada	000 ó 255	Velocidad auto integrado y macros de zona (lento a rápido)
25	Atenuador	000 ó 255	0 a 100%
26	Obturador	000 ó 019	Cerrado
		020 ó 024	Abierto
		025 ó 064	Efecto estroboscopio (velocidad decreciente)
		065 ó 069	Abierto
		070 ó 084	Encender rápido, apagar lento (velocidad decreciente)
		085 ó 089	Abierto
		090 ó 104	Encender lento, apagar rápido (velocidad decreciente)
		105 ó 109	Abierto
		110 ó 124	Obturador aleatorio (velocidad decreciente)
		125 ó 129	Abierto
		130 ó 144	Encender rápido, apagar lento aleatorio (velocidad decreciente)
		145 ó 149	Abierto
		150 ó 164	Aleatorio: encender lento, apagar rápido (velocidad decreciente)
		165 ó 169	Abierto
		170 ó 184	Efecto pulso 1 (velocidad decreciente)
		185 ó 189	Abierto
		190 ó 204	Efecto pulso 2 (velocidad decreciente)
		205 ó 209	Abierto
		210 ó 224	Gradualmente encender y apagar (velocidad decreciente)
		225 ó 229	Abierto
230 ó 244	Efecto pulso 3 (velocidad decreciente)		
245 ó 255	Abierto		
27	Zoom	000 ó 255	Aumentar y disminuir Zoom

30CH
(cont.)

Canal	Función	Valor	Porcentaje/Configuración
28	Funciones de control	000 ó 009	Sin función
		010 ó 014	Blackout durante el desplazamiento/inclinación
		015 ó 019	Sin función
		020 ó 049	Reservado para usos futuros
		050 ó 054	Reiniciar desplazamiento lateral
		055 ó 059	Reiniciar inclinación
		060 ó 064	Reiniciar zoom
		065 ó 069	Reiniciar rotación
		070 ó 074	Reiniciar todo
		075 ó 079	Sin función
		080 ó 084	Invertir desplazamiento lateral/inclinación
		085 ó 089	Invertir desplazamiento lateral
		090 ó 094	Invertir inclinación
		095 ó 099	Cancelar invertir desplazamiento lateral
		100 ó 104	Cancelar invertir inclinación
		105 ó 109	Cancelar invertir movimiento lateral/inclinación
		110 ó 114	Desplazamiento lateral/inclinación velocidad normal
		115 ó 119	Desplazamiento lateral/inclinación velocidad lento
		120 ó 124	Desplazamiento lateral/inclinación velocidad rápida
		125 ó 129	Ventilador (velocidad máxima)
130 ó 134	Ventilador (automático)		
135 ó 139	Atenuador, rápido		
140 ó 144	Atenuador, suave		
145 ó 255	Sin función		
29	Macros de movimiento	000 ó 007	Sin función
		008 ó 023	Macro de movimiento automático 1
		024 ó 039	Macro de movimiento automático 2
		040 ó 055	Macro de movimiento automático 3
		056 ó 071	Macro de movimiento automático 4
		072 ó 087	Macro de movimiento automático 5
		088 ó 103	Macro de movimiento automático 6
		104 ó 119	Macro de movimiento automático 7
		120 ó 135	Macro de movimiento automático 8
		136 ó 151	Macro de movimiento Activo por Sonido 1
		152 ó 167	Macro de movimiento Activo por Sonido 2
		168 ó 183	Macro de movimiento Activo por Sonido 3
		184 ó 199	Macro de movimiento Activo por Sonido 4
		200 ó 215	Macro de movimiento Activo por Sonido 5
		216 ó 231	Macro de movimiento Activo por Sonido 6
		232 ó 247	Macro de movimiento Activo por Sonido 7
248 ó 255	Macro de movimiento Activo por Sonido 8		
30	Rotación	000 ó 063	Secuencia giratoria
		064 ó 095	Vibración giratoria pequeña (lenta a rápida)
		096 ó 127	Vibración giratoria grande (lenta a rápida)
		128 ó 191	Rotación (lenta a rápida)
		192 ó 255	Rotación inversa (lenta a rápida)

Quando el valor de C-27 (zoom) es mayor de 150

15-CH	Canal	Función	Valor	Porcentaje/Configuración
	1	Desplazamiento lateral	000 ó 255	0 a 540°
	2	Inclinación	000 ó 255	0 a 270°
	3	Velocidad	000 ó 255	Desplazamiento lateral/inclinación (rápido a lento)
	4	Rojo	000 ó 255	0 a 100%
	5	Verde	000 ó 255	0 a 100%
	6	Azul	000 ó 255	0 a 100%
	7	Blanco	000 ó 255	0 a 100%
	8	Control integrado	000 ó 015	Sin función
			016 ó 031	Macro zona 1
			032 ó 047	Macro zona 2
			048 ó 063	Macro zona 3
			064 ó 079	Macro zona 4
			080 ó 095	Macro zona 5
			096 ó 111	Macro zona 6
			112 ó 127	Integrado 7 (macros de zona 1—6)
			128 ó 143	Auto integrado 1
			144 ó 159	Auto integrado 2
			160 ó 175	Auto integrado 3
			176 ó 191	Auto integrado 4
			192 ó 207	Auto integrado 5
	208 ó 223	Auto integrado 6		
	224 ó 239	Auto integrado 7		
	240 ó 255	Auto integrado 8 (auto integrado 1—7)		
	9	Velocidad integrada	000 ó 255	Velocidad automática de zonas e integrada (lento a rápido)
	10	Atenuador	000 ó 255	0 a 100%

15-CH (cont.)	Canal	Función	Valor	Porcentaje/Configuración
			000 ó 019	Cerrado
			020 ó 024	Abierto
			025 ó 064	Efecto estroboscopio (velocidad decreciente)
			065 ó 069	Abierto
			070 ó 084	Encender rápido, apagar lento (velocidad decreciente)
			085 ó 089	Abierto
			090 ó 104	Encender lento, apagar rápido (velocidad decreciente)
			105 ó 109	Abierto
			110 ó 124	Obturador aleatorio (velocidad decreciente)
			125 ó 129	Abierto
	11	Obturador	130 ó 144	Encender rápido, apagar lento aleatorio (velocidad decreciente)
			145 ó 149	Abierto
			150 ó 164	Aleatorio: encender lento, apagar rápido (velocidad decreciente)
			165 ó 169	Abierto
			170 ó 184	Efecto pulso 1 (velocidad decreciente)
			185 ó 189	Abierto
			190 ó 204	Efecto pulso 2 (velocidad decreciente)
			205 ó 209	Abierto
			210 ó 224	Gradualmente encender y apagar (velocidad decreciente)
			225 ó 229	Abierto
			230 ó 244	Efecto pulso 3 (velocidad decreciente)
			245 ó 255	Abierto
	12	Zoom	000 ó 255	Gradualmente encender y apagar (velocidad decreciente)

15-CH (cont.)	Canal	Función	Valor	Porcentaje/Configuración
13	Funciones de control	000 ó 009	Sin función	
		010 ó 014	Blackout Desplazamiento lateral/Inclinación	
		015 ó 019	Sin función	
		020 ó 049	Reservado para usos futuros	
		050 ó 054	Reiniciar desplazamiento latera	
		055 ó 059	Reiniciar inclinación	
		060 ó 064	Reiniciar zoom	
		065 ó 069	Sin función	
		070 ó 074	Reiniciar todo	
		075 ó 079	Sin función	
		080 ó 084	Invertir desplazamiento lateral/inclinación	
		085 ó 089	Invertir desplazamiento lateral	
		090 ó 094	Invertir inclinación	
		095 ó 099	Cancelar invertir desplazamiento lateral	
		100 ó 104	Cancelar invertir inclinación	
		105 ó 109	Cancelar invertir movimiento lateral/inclinación	
		110 ó 114	Desplazamiento lateral/inclinación velocidad normal	
		115 ó 119	Desplazamiento lateral/inclinación velocidad rápida	
		120 ó 124	Desplazamiento lateral/inclinación velocidad lento	
		125 ó 129	Ventilador (velocidad máxima)	
		130 ó 134	Ventilador (automático)	
135 ó 139	Atenuador, rápido			
140 ó 144	Atenuador, suave			
145 ó 255	Sin función			
14	Macros de movimiento	000 ó 007	Sin función	
		008 ó 023	Macro de movimiento automático 1	
		024 ó 039	Macro de movimiento automático 2	
		040 ó 055	Macro de movimiento automático 3	
		056 ó 071	Macro de movimiento automático 4	
		072 ó 087	Macro de movimiento automático 5	
		088 ó 103	Macro de movimiento automático 6	
		104 ó 119	Macro de movimiento automático 7	
		120 ó 135	Macro de movimiento automático 8	
		136 ó 151	Macro de movimiento Activo por Sonido 1	
		152 ó 167	Macro de movimiento Activo por Sonido 2	
		168 ó 183	Macro de movimiento Activo por Sonido 3	
		184 ó 199	Macro de movimiento Activo por Sonido 4	
		200 ó 215	Macro de movimiento Activo por Sonido 5	
		216 ó 231	Macro de movimiento Activo por Sonido 6	
		232 ó 247	Macro de movimiento Activo por Sonido 7	
248 ó 255	Macro de movimiento Activo por Sonido 8			
15	Rotación	000 ó 063	Secuencia giratoria	Cuando el valor de C-27 (zoom) es mayor de 150
		064 ó 095	Vibración giratoria pequeña (lenta a rápida)	
		096 ó 127	Vibración giratoria grande (lenta a rápida)	
		128 ó 191	Rotación (lenta a rápida)	
		192 ó 255	Rotación inversa (lenta a rápida)	

A propos de ce manuel

Le Manuel de Référence (MR) du Intimidator Trio Quick reprend des informations de base sur cet appareil notamment en matière de montage, d'options de menu et de valeurs DMX. Veuillez télécharger le manuel d'utilisation à partir du site internet www.chauvetlighting.com pour plus de détails.

Clause de non Responsabilité

Les informations et caractéristiques contenues dans ce MR sont sujettes à modification sans préavis.

Consignes de Sécurité

Ces consignes de sécurité contiennent des informations importantes en matière d'installation, d'utilisation et d'entretien.



- Cet appareil doit être relié à un circuit mis à la terre et protégé.
- Toujours débrancher l'appareil de la source d'alimentation avant de le nettoyer ou de remplacer son fusible.
- Ne pas exposer directement les yeux à la source de lumière lorsque le produit est allumé.
- Veillez à ce que le cordon d'alimentation ne soit jamais pincé ou endommagé.
- Ne débranchez jamais cet appareil en tirant sur le cordon d'alimentation.
- En cas de montage de l'appareil en hauteur, veillez à toujours utiliser un câble de sécurité.
- Ne laissez aucun produit inflammable à proximité de l'appareil lorsque celui-ci fonctionne.
- Ne pas toucher au boîtier de l'appareil lorsqu'il est en fonctionnement, celui-ci pouvant être très chaud.



- La tension de la source d'énergie à laquelle est connecté cet appareil doit être dans la plage indiquée sur l'étiquette ou sur le panneau arrière de l'appareil.
- Cet appareil doit uniquement être utilisé en intérieur ! (IP20) Afin d'éviter tout risque d'incendie ou de décharge électrique, veillez à n'exposer cet appareil ni à la pluie ni à l'humidité.
- Installez toujours cet appareil dans un endroit bien ventilé à au moins 50 cm (20 po) des surfaces adjacentes.
- Assurez-vous qu'aucune fente de ventilation de l'appareil n'est obstruée.
- Ne connectez jamais cet appareil à un variateur ou un rhéostat.
- Lors du remplacement du fusible, utilisez le même type et le même ampérage.
- N'utilisez que les poignées ou une pince de fixation installée dont la capacité en charge est suffisante pour transporter cet appareil.
- La température ambiante maximale est de 40 °C (104 °F). Ne faites pas fonctionner cet appareil à des températures plus élevées.
- En cas de sérieux problèmes de fonctionnement, arrêtez l'appareil immédiatement.
- Ne pas ouvrir cet appareil. Il ne contient aucune pièce réparable par l'utilisateur.
- Durant les périodes de non-utilisation, pour éviter toute usure inutile et pour prolonger la durée de vie, déconnectez entièrement l'appareil en le débranchant de l'alimentation électrique ou en coupant le disjoncteur.

Nous contacter

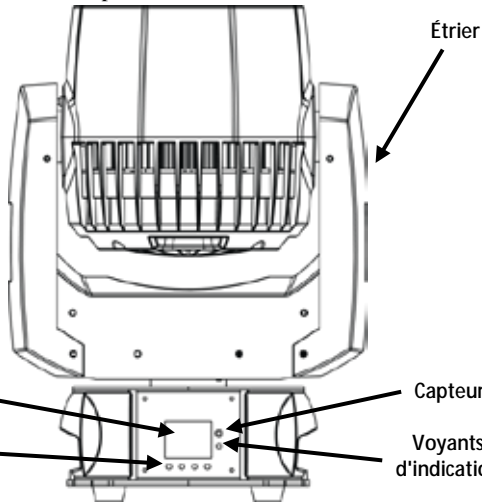
En dehors des États-Unis, du Royaume-Uni, de l'Irlande, du Mexique ou du Benelux, contactez votre fournisseur si vous avez besoin d'assistance ou pour retourner un appareil. Veuillez consulter le site internet www.chauvetlighting.com pour obtenir des informations pour nous contacter.

- Contenu**
- Intimidator Trio
 - Cordon d'alimentation
 - Fixation de suspension avec matériel de montage
 - Fiche de garantie
 - Manuel de référence

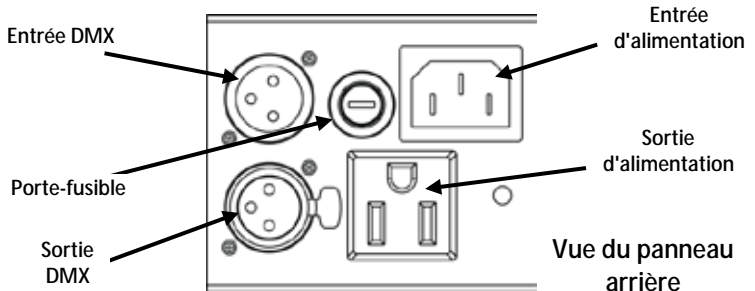
Préalable Déballiez votre Intimidator Trio et assurez-vous que vous avez reçu toutes les pièces en bon état. Si la boîte et/ou son contenu semble endommagés, contactez immédiatement le transporteur, et non pas Chauvet.

Description Le Intimidator Trio une lampe à effets à tête mobile bourrée de fonctionnalités et équipée d'un faisceau, d'une lampe de type wash ainsi que d'une multitude d'effets. Il est équipé de 6 LEDs RGBW quadricolores. Le zoom motorisé permet des utilisations en projection aussi bien sur des courtes distances que des longues distances tandis que le nid d'abeille en rotation constante délivre des effets dynamisants. Affichage à navigation simple et intégralement en mode texte sur un écran LCD couleur à contraste élevé. Créez un spectacle synchronisé en mode maître/esclave grâce aux programmes automatisés intégrés et faciles d'accès. La télécommande IRC-6 en option de Chauvet permet de contrôler l'appareil de manière pratique sans fil et sans l'aide du protocole DMX. Le sac de transport CHS-50 VIP vendu par Chauvet est recommandé pour l'Intimidator Trio.

Vue frontale



Vue d'ensemble



Alimentation CA Cet appareil est doté d'une alimentation universelle qui peut prendre en charge toute tension d'entrée comprise entre 100 et 240 VCA, 50/60 Hz.

Chaînage électrique Pour savoir combien d'appareils Intimidator Trio peuvent être chaînés au maximum selon le voltage, veuillez consulter le manuel de l'utilisateur ou l'autocollant apposé sur l'appareil.

Remplacement du fusible

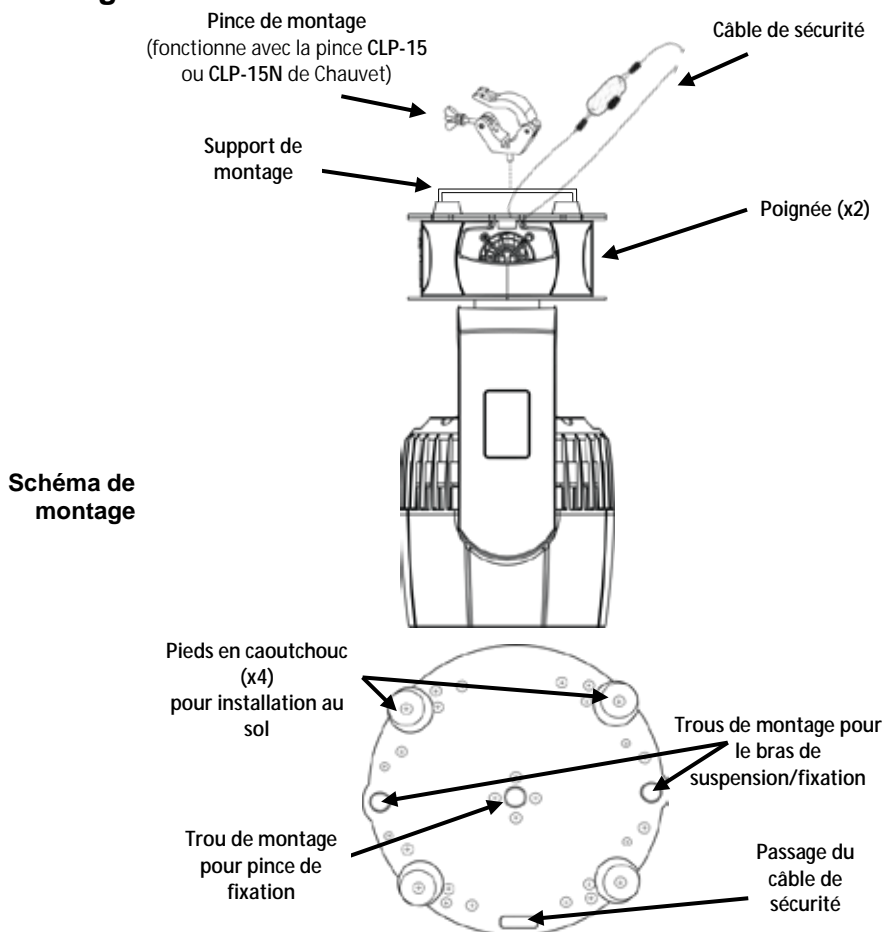
1. Débranchez l'appareil.
2. Avec un tournevis à tête plate, desserrez le porte-fusible et retirez-le directement.
3. Enlevez le fusible grillé du porte fusible et remplacez-le par un fusible de même type et de même ampérage.
4. Remettez le porte-fusible en place puis rebranchez.

Télécommande infra-rouge 6 (IRC-6) L'Intimidator Trio est compatible avec la télécommande IRC-6 de Chauvet.

Les boutons suivants de l'IRC-6 sont utilisés avec l'Intimidator Trio :

- **<BLACKOUT>** - Allumage/extinction des LED
- **<AUTO>** - Sélection du mode programme automatique (défilement)
- **<SOUND>** - Sélection du mode d'activation par le son
- **<STROBE>** - Activation de l'effet stroboscopique (0–20 Hz)
- **<SPEED>** - Vitesse de basculement/balayage du programme automatique
- **<SENSITIVITY>** - Sélection de la sensibilité au son
- **<%>** - Gradateur LED
- **<MANUAL>** - Contrôle manuel
- **<FADE/SNAP>** - Appuyer une fois pour le changement de la couleur de fondu. Appuyer deux fois pour l'accroche (Snap).
- **<R>** - Contrôle manuel de la LED rouge
- **<G>** - Contrôle manuel de la LED verte
- **** - Contrôle manuel de la LED bleue
- **<W>** - Contrôle manuel de la LED blanche
- **<UV>** - Réglage manuel du zoom/de la rotation
- **<A>** - Réglage manuel du balayage/basculement
- **<+>** - Augmenter
- **<->** - Diminuer
- **<0> à <9>** - Sélection d'un programme automatique par son numéro.

Montage Avant de monter cet appareil, veuillez lire les [consignes de sécurité](#).



Lorsque vous n'utilisez qu'une seule fixation de montage, veuillez à utiliser un boulon d'ancrage à goujon captif pour empêcher tout desserrage accidentel.

Description du panneau de commande

Bouton	Fonction
<MENU>	Permet de sortir du menu ou de la fonction en cours
<UP>	Permet de naviguer vers le haut dans la liste du menu et d'incrémenter une valeur numérique dans une fonction.
<DOWN>	Permet de naviguer vers le bas dans la liste du menu et de décrémenter une valeur numérique dans une fonction.
<ENTER>	Active l'entrée de menu actuellement affichée ou confirme la valeur actuellement sélectionnée pour la fonction en cours de sélection.

Options du menu

Fonction principale	Niveaux de programmation		Description	
Address	001–512		Permet de définir l'adresse DMX de départ	
Run Mode	DMX	15CH	Activation du mode DMX	
		30CH		
	Slave	Slave 1–4	Permet de sélectionner le mode esclave	
	Auto		Permet de sélectionner le mode automatique	
	Sound		Permet de sélectionner le mode d'activation par le son	
	IR		Activation du contrôle par infra-rouge	
	Manual	Pan	000–255	Réglage manuel du balayage
		Tilt	000–255	Réglage manuel du basculement
		P/T Speed	000–255	Réglage manuel du balayage/basculement vitesse
		Color	000–255	Réglage manuel du couleurs
		Rotate	000–255	Réglage manuel du rotation
Zoom		000–255	Réglage manuel du zoom	
Dimmer		000–255	Réglage manuel du gradateur	
	Shutter	000–255	Réglage manuel du obturateur	
Setup	Pan Reverse	OFF	Fonctionnement normal du balayage	
		ON	Fonctionnement inversé du balayage	
	Tilt Reverse	OFF	Fonctionnement normal du basculement	
		ON	Fonctionnement inversé du basculement	
	Pan Angle	540	Sélection de la plage de balayage sur un angle de 540°	
		360	Sélection de la plage de balayage sur un angle de 360°	
		180	Sélection de la plage de balayage sur un angle de 180°	
	Tilt Angle	270	Sélection de la plage de basculement sur un angle de 270°	
		180	Sélection de la plage de basculement sur un angle de 180°	
		90	Sélection de la plage de basculement sur un angle de 90°	
	Totem Mode	OFF	Mode normal	
		UP	Mode totem base haut	
		DOWN	Mode totem base bas	
	P/T Speed	Normal	Sélection de la vitesse de basculement/balayage	
		Fast		
		Slow		
	Fans	Auto	Réglage de la vitesse du ventilateur en fonction de la température	
Full		Vitesse du ventilateur à la vitesse maximale		
Display	OFF	Le rétro-éclairage de l'affichage s'éteint après un délai d'inactivité		
	ON	Le rétro-éclairage de l'affichage reste allumé		
Screen Rev	OFF	Affichage normal		
	ON	Affichage inversé		

Fonction principale	Niveaux de programmation	Description	
Setup (suite)	Dimmer Curve	Square	Permet de sélectionner le mode de courbe de gradation
		I Squa	
		SCurve	
		Linear	
	Dimmer Speed	Fast	Permet de sélectionner la vitesse de gradation
		Smooth	
	Color Balance	RED	Permet de sélectionner la balance de couleur (100 à 255)
		GREEN	
		BLUE	
	Sensitivity	001-100	Permet de configurer la sensibilité au son
Reset		Réinitialisation de l'appareil	
	Factory Set	Chargement des paramètres par défaut	
Sys Info	Ver V_	Affiche la version du logiciel.	
	Running Mode _ _ _ _ _	Affiche le mode d'exécution courant.	
	DMX Address _ _ _	Affiche l'adresse DMX courante	
	Temperature _ _ _	Affiche la température des LEDs en degrés Celsius	

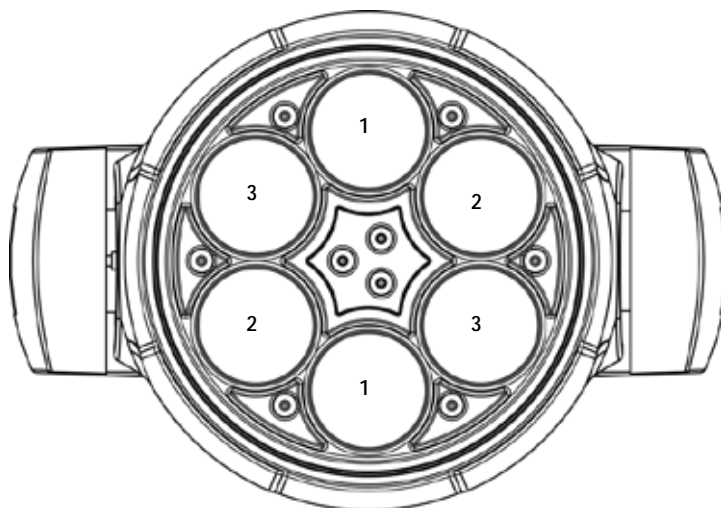
Chaînage DMX L'Intimidator Trio peut fonctionner avec un contrôleur DMX lorsqu'il est relié par des connexions séries DMX. Les instructions pour la connexion et la configuration de cet appareil pour le fonctionnement en DMX sont indiquées dans le manuel d'utilisation. Si vous n'êtes pas familier avec le protocole DMX, vous pouvez télécharger l'introduction au DMX à l'adresse www.chauvetlighting.com.

Adresse de départ Pour permettre un accès à l'ensemble des canaux de chaque mode DMX, l'adresse DMX maximale recommandée est **483**.

Connexion maître/esclave L'Intimidator Trio utilise une connexion de données DMX pour le fonctionnement de son mode maître/esclave. Les instructions pour la connexion et la configuration de cet appareil pour le fonctionnement en maître/esclave sont indiquées dans le manuel d'utilisation.

Valeurs DMX

30-CH	Canal	Fonction	Valeur	Pourcentage/Paramétrage
	1	Balayage	000 ◊ 255	0 à 540°
	2	Balayage fin	000 ◊ 255	Contrôle précis du balayage
	3	Basculement	000 ◊ 255	0 à 270°
	4	Basculement fin	000 ◊ 255	Contrôle précis du basculement
	5	Vitesse	000 ◊ 255	Vitesse de balayage/basculement (rapide à lent)
	6	Rouge	000 ◊ 255	0 à 100%
	7	Vert	000 ◊ 255	0 à 100%
	8	Bleu	000 ◊ 255	0 à 100%
	9	Blanc	000 ◊ 255	0 à 100%
	10	Rouge	000 ◊ 255	0 à 100%
	11	Vert	000 ◊ 255	0 à 100%
	12	Bleu	000 ◊ 255	0 à 100%
	13	Blanc	000 ◊ 255	0 à 100%
	14	Rouge	000 ◊ 255	0 à 100%
	15	Vert	000 ◊ 255	0 à 100%
	16	Bleu	000 ◊ 255	0 à 100%
	17	Blanc	000 ◊ 255	0 à 100%
	18	Aucune fonction	000 ◊ 255	Aucune fonction (préréglage)
	19	Aucune fonction	000 ◊ 255	Aucune fonction (préréglage)
	20	Aucune fonction	000 ◊ 255	Aucune fonction (préréglage)
	21	Aucune fonction	000 ◊ 255	Aucune fonction (préréglage)

Intimidator Trio
Zones de contrôle

30-CH (suite)	Canal	Fonction	Valeur	Pourcentage/Paramétrage
			000 ó 004	Aucune fonction
			005 ó 009	Couleur 1
			010 ó 014	Couleur 2
			015 ó 019	Couleur 3
			020 ó 024	Couleur 4
			025 ó 029	Couleur 5
			030 ó 034	Couleur 6
			035 ó 039	Couleur 7
			040 ó 044	Couleur 8
			045 ó 049	Couleur 9
			050 ó 054	Couleur 10
			055 ó 059	Couleur 11
			060 ó 064	Couleur 12
			065 ó 069	Couleur 13
			070 ó 074	Couleur 14
			075 ó 079	Couleur 15
			080 ó 084	Couleur 16
			085 ó 089	Couleur 17
			090 ó 094	Couleur 18
			095 ó 099	Couleur 19
			100 ó 104	Couleur 20
			105 ó 109	Couleur 21
			110 ó 114	Couleur 22
			115 ó 119	Couleur 23
			120 ó 124	Couleur 24
			125 ó 129	Couleur 25
			130 ó 134	Couleur 26
			135 ó 139	Couleur 27
			140 ó 144	Couleur 28
			145 ó 149	Couleur 29
			150 ó 154	Couleur 30
			155 ó 159	Couleur 31
			160 ó 164	Couleur 32
			165 ó 169	Couleur 33
			170 ó 174	Couleur 34
			175 ó 179	Aucune fonction
			180 ó 201	Changement de couleur dans le sens horaire (rapide à lent)
			202 ó 207	Arrêt (la couleur actuellement affichée reste)
			208 ó 229	Changement de couleur dans le sens antihoraire (rapide à lent)
			230 ó 234	Aucune fonction
			235 ó 249	Saut de couleur (rapide à lent)
			250 ó 255	Couleurs activées par le son

22

Couleurs

30-CH (suite)	Canal	Fonction	Valeur	Pourcentage/Paramétrage
	23	Contrôle intégré	000 ○ 015	Aucune fonction
			016 ○ 031	Macro de zone 1
			032 ○ 047	Macro de zone 2
			048 ○ 063	Macro de zone 3
			064 ○ 079	Macro de zone 4
			080 ○ 095	Macro de zone 5
			096 ○ 111	Macro de zone 6
			112 ○ 127	Intégré 7 (macros de zone 1 à 6)
			128 ○ 143	Intégré auto 1
			144 ○ 159	Intégré auto 2
			160 ○ 175	Intégré auto 3
			176 ○ 191	Intégré auto 4
			192 ○ 207	Intégré auto 5
			208 ○ 223	Intégré auto 6
			224 ○ 239	Intégré auto 7
	240 ○ 255	Intégré 8 (intégré auto 1 à 7)		
	24	Vitesse intégrée	000 ○ 255	Macros de zones et vitesse automatique intégrée (lent à rapide)
	25	Gradateur	000 ○ 255	0 à 100%
	26	Obturateur	000 ○ 019	Fermé
			020 ○ 024	Ouvert
			025 ○ 064	Effet stroboscopique (vitesse en diminution)
			065 ○ 069	Ouvert
			070 ○ 084	Marche rapide/arrêt lent (vitesse en diminution)
			085 ○ 089	Ouvert
			090 ○ 104	Marche lente/arrêt rapide (vitesse en diminution)
			105 ○ 109	Ouvert
			110 ○ 124	Obturateur aléatoire (vitesse en diminution)
			125 ○ 129	Ouvert
			130 ○ 144	Marche rapide/arrêt lent aléatoire (vitesse en diminution)
			145 ○ 149	Ouvert
			150 ○ 164	Marche lente/arrêt rapide aléatoire (vitesse en diminution)
			165 ○ 169	Ouvert
			170 ○ 184	Effet pulsation 1 (vitesse en diminution)
			185 ○ 189	Ouvert
			190 ○ 204	Effet pulsation 2 (vitesse en diminution)
			205 ○ 209	Ouvert
			210 ○ 224	Marche/arrêt progressif (vitesse en diminution)
			225 ○ 229	Ouvert
230 ○ 244	Fermé			
245 ○ 255	Ouvert			
	27	Zoom	000 ○ 255	Zoom avant et arrière

30-CH (suite)	Canal	Fonction	Valeur	Pourcentage/Paramétrage
28	28	Fonctions de contrôle	000 ó 009	Aucune fonction
			010 ó 014	Noir général pendant le balayage/basculement
			015 ó 019	Aucune fonction
			020 ó 049	Réservé pour utilisation future
			050 ó 054	Réinitialisation du balayage
			055 ó 059	Réinitialisation du basculement
			060 ó 064	Réinitialisation du zoom
			065 ó 069	Réinitialisation de la rotation
			070 ó 074	Réinitialisation totale
			075 ó 079	Aucune fonction
			080 ó 084	Balayage/basculement inverse
			085 ó 089	Balayage inverse
			090 ó 094	Basculement inversé
			095 ó 099	Annulation du balayage inverse
			100 ó 104	Annulation du basculement inverse
			105 ó 109	Annulation du balayage/basculement inverse
			110 ó 114	Vitesse normale balayage/basculement
			115 ó 119	Vitesse rapide balayage/basculement
			120 ó 124	Vitesse lente balayage/basculement
			125 ó 129	Ventilateur (vitesse maximale)
			130 ó 134	Ventilateur (automatique)
135 ó 139	Gradateur, rapide			
140 ó 144	Gradateur, doux			
145 ó 255	Aucune fonction			
29	29	Macros de mouvements	000 ó 007	Aucune fonction
			008 ó 023	Macro de mouvement automatique 1
			024 ó 039	Macro de mouvement automatique 2
			040 ó 055	Macro de mouvement automatique 3
			056 ó 071	Macro de mouvement automatique 4
			072 ó 087	Macro de mouvement automatique 5
			088 ó 103	Macro de mouvement automatique 6
			104 ó 119	Macro de mouvement automatique 7
			120 ó 135	Macro de mouvement automatique 8
			136 ó 151	Macro de mouvement activé par le son 1
			152 ó 167	Macro de mouvement activé par le son 2
			168 ó 183	Macro de mouvement activé par le son 3
			184 ó 199	Macro de mouvement activé par le son 4
			200 ó 215	Macro de mouvement activé par le son 5
			216 ó 231	Macro de mouvement activé par le son 6
232 ó 247	Macro de mouvement activé par le son 7			
248 ó 255	Macro de mouvement activé par le son 8			
30	30	Rotation	000 ó 063	Chenillard en rotation
			064 ó 095	Petit tremblement en rotation (lent à rapide)
			096 ó 127	Grand tremblement en rotation (lent à rapide)
			128 ó 191	Rotation (lent à rapide)
			192 ó 255	Rotation inverse (lent à rapide)

Lorsque la valeur du canal 27 (Zoom) est au-dessus de 150

15-CH	Canal	Fonction	Valeur	Pourcentage/Paramétrage
	1	Balayage	000 ◊ 255	0 à 540°
	2	Basculement	000 ◊ 255	0 à 270°
	3	Vitesse	000 ◊ 255	Balayage/basculement (rapide à lent)
	4	Rouge	000 ◊ 255	0 à 100%
	5	Vert	000 ◊ 255	0 à 100%
	6	Bleu	000 ◊ 255	0 à 100%
	7	Blanc	000 ◊ 255	0 à 100%
	8	Contrôle intégré	000 ◊ 015	Aucune fonction
			016 ◊ 031	Macro de zone 1
			032 ◊ 047	Macro de zone 2
			048 ◊ 063	Macro de zone 3
			064 ◊ 079	Macro de zone 4
			080 ◊ 095	Macro de zone 5
			096 ◊ 111	Macro de zone 6
			112 ◊ 127	Intégré 7 (macros de zone 1 à 6)
			128 ◊ 143	Intégré auto 1
			144 ◊ 159	Intégré auto 2
			160 ◊ 175	Intégré auto 3
			176 ◊ 191	Intégré auto 4
			192 ◊ 207	Intégré auto 5
	208 ◊ 223	Intégré auto 6		
	224 ◊ 239	Intégré auto 7		
	240 ◊ 255	Intégré 8 (intégré auto 1 à 7)		
	9	Vitesse intégrée	000 ◊ 255	Zones et vitesse automatique intégrée (lent à rapide)
	10	Gradateur	000 ◊ 255	0 à 100%

15-CH (suite)	Canal	Fonction	Valeur	Pourcentage/Paramétrage
	11	Obturbateur	000 ó 019	Fermé
			020 ó 024	Ouvert
			025 ó 064	Effet stroboscopique (vitesse en diminution)
			065 ó 069	Ouvert
			070 ó 084	Marche rapide/arrêt lent (vitesse en diminution)
			085 ó 089	Ouvert
			090 ó 104	Marche lente/arrêt rapide (vitesse en diminution)
			105 ó 109	Ouvert
			110 ó 124	Obturbateur aléatoire (vitesse en diminution)
			125 ó 129	Ouvert
			130 ó 144	Marche rapide/arrêt lent aléatoire (vitesse en diminution)
			145 ó 149	Ouvert
			150 ó 164	Marche lente/arrêt rapide aléatoire (vitesse en diminution)
			165 ó 169	Ouvert
			170 ó 184	Effet pulsation 1 (vitesse en diminution)
			185 ó 189	Ouvert
			190 ó 204	Effet pulsation 2 (vitesse en diminution)
			205 ó 209	Ouvert
			210 ó 224	Marche/arrêt progressif (vitesse en diminution)
			225 ó 229	Ouvert
230 ó 244	Effet pulsation 3 (vitesse en diminution)			
245 ó 255	Ouvert			
12	Zoom	000 ó 255	Zoom avant et arrière	

15-CH (suite)	Canal	Fonction	Valeur	Pourcentage/Paramétrage	
	13	Fonctions de contrôle	000 ○ 009	Aucune fonction	
			010 ○ 014	Noir général balayage/basculement	
			015 ○ 019	Aucune fonction	
			020 ○ 049	Réservé pour utilisation future	
			050 ○ 054	Réinitialisation du balayage	
			055 ○ 059	Réinitialisation du basculement	
			060 ○ 064	Réinitialisation du zoom	
			065 ○ 069	Aucune fonction	
			070 ○ 074	Réinitialisation totale	
			075 ○ 079	Aucune fonction	
			080 ○ 084	Balayage/basculement inverse	
			085 ○ 089	Balayage inverse	
			090 ○ 094	Basculement inversé	
			095 ○ 099	Annulation du balayage inverse	
			100 ○ 104	Annulation du basculement inverse	
			105 ○ 109	Annulation du balayage/basculement inverse	
			110 ○ 114	Vitesse normale balayage/basculement	
			115 ○ 119	Vitesse rapide balayage/basculement	
			120 ○ 124	Vitesse lente balayage/basculement	
			125 ○ 129	Ventilateur (vitesse maximale)	
			130 ○ 134	Ventilateur (automatique)	
135 ○ 139	Gradateur, rapide				
140 ○ 144	Gradateur, doux				
145 ○ 255	Aucune fonction				
	14	Macros de mouvements	000 ○ 007	Aucune fonction	
			008 ○ 023	Macro de mouvement automatique 1	
			024 ○ 039	Macro de mouvement automatique 2	
			040 ○ 055	Macro de mouvement automatique 3	
			056 ○ 071	Macro de mouvement automatique 4	
			072 ○ 087	Macro de mouvement automatique 5	
			088 ○ 103	Macro de mouvement automatique 6	
			104 ○ 119	Macro de mouvement automatique 7	
			120 ○ 135	Macro de mouvement automatique 8	
			136 ○ 151	Macro de mouvement activé par le son 1	
			152 ○ 167	Macro de mouvement activé par le son 2	
			168 ○ 183	Macro de mouvement activé par le son 3	
			184 ○ 199	Macro de mouvement activé par le son 4	
			200 ○ 215	Macro de mouvement activé par le son 5	
			216 ○ 231	Macro de mouvement activé par le son 6	
			232 ○ 247	Macro de mouvement activé par le son 7	
			248 ○ 255	Macro de mouvement activé par le son 8	
	15	Rotation	000 ○ 063	Chenillard en rotation	
			064 ○ 095	Petit tremblement en rotation (lent à rapide)	Lorsque la valeur du canal 27 (Zoom) est au-dessus de 150
			096 ○ 127	Grand tremblement en rotation (lent à rapide)	
			128 ○ 191	Rotation (lent à rapide)	
			192 ○ 255	Rotation inverse (lent à rapide)	

Über diese Schnellanleitung In der Schnellanleitung des Intimidator Trio finden Sie die wesentlichen Produktinformationen, wie etwa über die Montage, Menüoptionen und DMX-Werte des Geräts. Laden Sie für weiterführende Informationen unter www.chauvelighting.com das Benutzerhandbuch herunter.

Haftungsausschluss Die in dieser Anleitung aufgeführten Informationen und Spezifikationen können ohne vorherige Ankündigung geändert werden.

Sicherheitshinweise Diese Sicherheitshinweise enthalten wichtige Informationen über die Montage, Verwendung und Wartung des Geräts.



- Schließen Sie dieses Produkt nur an einen geerdeten und geschützten Stromkreis an.
- Trennen Sie das Gerät von der Stromquelle, bevor Sie es reinigen oder die Sicherung austauschen.
- Nicht in die Lichtquelle schauen, während das Gerät eingeschaltet ist.
- Stellen Sie sicher, dass das Netzkabel nicht gequetscht oder beschädigt ist.
- Ziehen Sie beim Trennen des Geräts von der Stromversorgung nie am Kabel.
- Bei Montage über Kopf immer ein Sicherungsseil verwenden.
- Keine entflammaren Materialien während des Betriebs in der Nähe des Geräts lagern.
- Nicht während des Betriebs das Gehäuse berühren, da dieses sehr heiß wird.



- Die Spannung der Schuko-Steckdose, an die Sie das Gerät anschließen, muss sich innerhalb des Spannungsbereiches befinden, der auf dem Hinweisschild oder dem rückwärtigen Bedienfeld des Geräts angegeben ist.
- Dieses Gerät darf nur im Innenbereich verwendet werden. (IP20) Um das Risiko von Bränden oder elektrischen Schlägen zu vermeiden, dürfen Sie das Gerät nicht Regen oder Feuchtigkeit aussetzen.
- Installieren Sie das Gerät an einem Ort mit ausreichender Belüftung und mit einem Abstand von 50 cm zu den angrenzenden Flächen.
- Stellen Sie sicher, dass die Lüftungsöffnungen im Gehäuse des Geräts nicht verschlossen sind.
- Schließen Sie dieses Gerät niemals an einen Dimmer oder Regelwiderstand an.
- Achten Sie beim Auswechseln der Sicherung darauf, den gleichen Typ mit den gleichen Werten zu verwenden.
- Das Gerät nur an Griffen oder montierten Befestigungsbügeln mit der für dieses Gerät entsprechenden Tragkraft tragen.
- Die maximal zulässige Umgebungstemperatur beträgt 40 °C. Nehmen Sie das Gerät nicht bei höheren Temperaturen in Betrieb.
- Bei ernsthaften Betriebsproblemen stoppen Sie umgehend die Verwendung des Geräts.
- Dieses Gerät nicht öffnen. Die eingebauten Komponenten sind für den Kunden wartungsfrei.
- Um unnötigen Verschleiß zu vermeiden und die Lebensdauer des Geräts zu verlängern, trennen Sie während längerer Perioden des Nichtgebrauchs das Gerät vom Stromnetz – entweder per Trennschalter oder durch Herausziehen des Steckers aus der Steckdose.

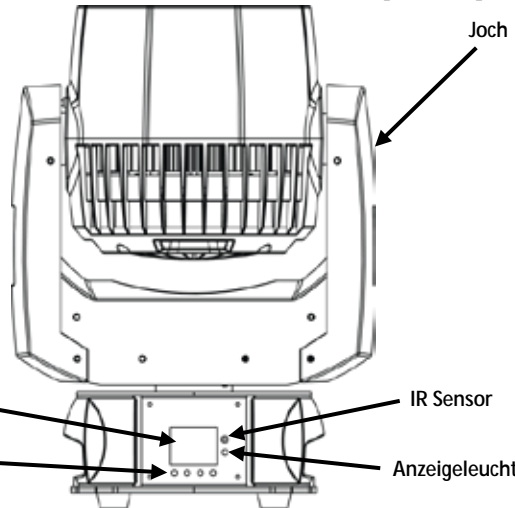
Kontakt Kunden außerhalb der USA, GB, Irland, Mexiko oder der Benelux-Staaten wenden sich an ihren Lieferanten, um den Kundensupport in Anspruch zu nehmen oder ein Produkt zurückzuschicken. Kontaktinformationen finden Sie unter www.chauvetlighting.com.

- Packungsinhalt**
- Intimidator Trio
 - Hängebügel mit Befestigungsmaterial
 - Netzkabel
 - Garantiekarte
 - Schnellanleitung

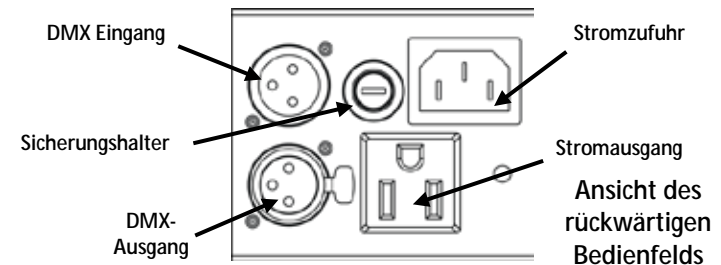
Start Packen Sie Ihren Intimidator Trio aus und überprüfen Sie, ob Sie alle Teile unbeschädigt erhalten haben. Wenn die Verpackung beschädigt ist, benachrichtigen Sie umgehend das Transportunternehmen, nicht jedoch Chauvet.

Beschreibung Der Intimidator Trio ist ein mit zahlreichen Funktionen ausgestatteter, kompakter Moving Head mit Strahlen-, Wash- und weiteren Effekten. Er verfügt über 6 vierfarbige RGBW-LEDs. Der motorbetriebene Zoom erlaubt kurze und lange Projektionsdistanzen und ein kontinuierlich rotierendes Wabengitter sorgt für einen aufregenden Beleuchtungseffekt. Die kontrastreiche, farbige LCD-Anzeige ermöglicht ein einfaches Navigieren und eine vollständige Textanzeige. Er erzeugt synchronisierte Show im Master/Slave-Modus mit integrierten automatischen Programmen, auf die bequem zugegriffen werden kann. Die optionale IR-6-Fernbedienung von Chauvet ermöglicht eine Bedienung ohne DMX. Mit dem CHS-50 VIP Gear Bag von Chauvet lässt sich der Intimidator Trio bequem transportieren.

Vorderansicht



Übersicht



Wechselstrom Dieses Gerät verfügt über ein Vorschaltgerät, das automatisch die anliegende Spannung erkennt, sobald der Netzstecker in die Schukosteckdose gesteckt wird, und kann mit einer Eingangsspannung von 100 bis 240 V AC, 50/60 Hz arbeiten.

Serienschaltung der Geräte Informationen zur maximalen Anzahl der Intimidator Trio-Geräte, die in Serie geschaltet werden können, finden Sie in der Bedienungsanleitung oder auf dem Typenschild am Gerät.

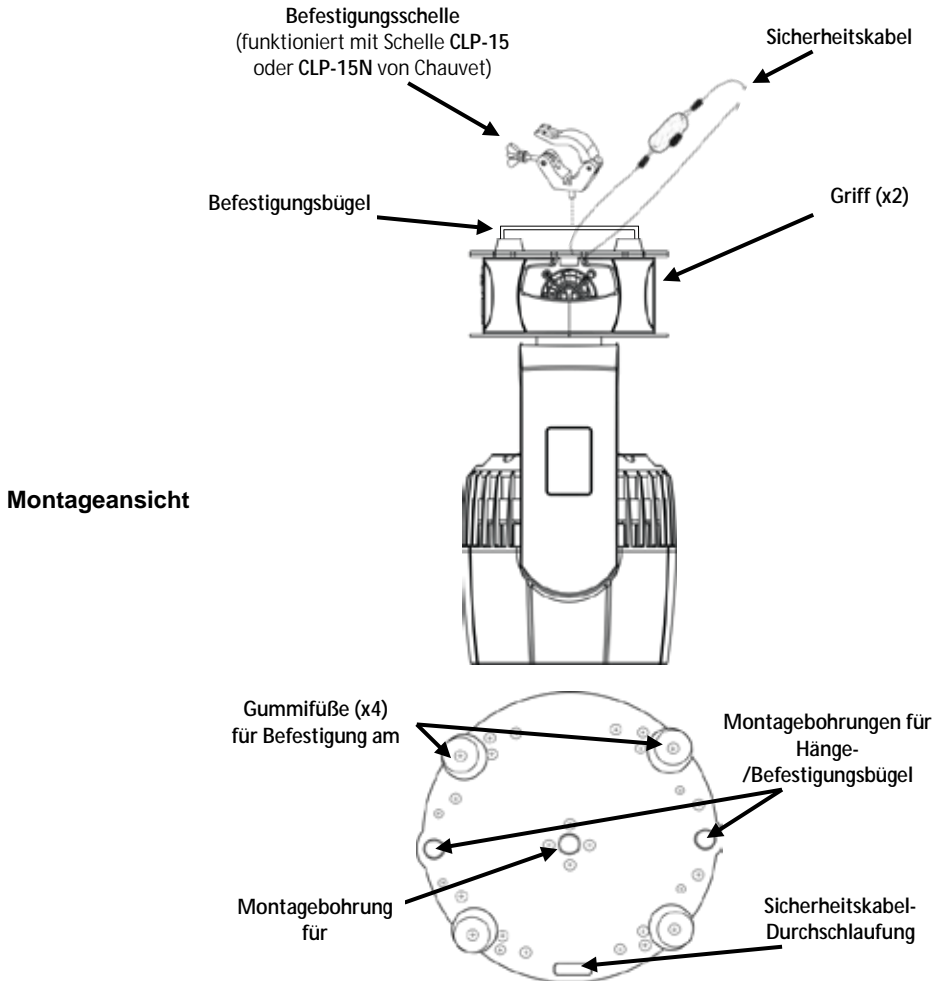
Auswechseln der Sicherung

1. Trennen Sie das Gerät vom Stromnetz.
2. Mithilfe eines Flachkopfschraubendrehers lockern Sie den Sicherungshalter und ziehen ihn gerade heraus.
3. Entfernen Sie die durchgebrannte Sicherung von der Klemme, und ersetzen Sie diese durch eine Sicherung des gleichen Typs und mit den gleichen Werten.
4. Stecken Sie den Sicherungshalter wieder zurück, und schließen Sie das Gerät an das Stromnetz an.

Infrarot-Fernbedienung 6 (IRC-6) Der Intimidator Trio ist vollständig kompatibel mit der Infrarot-Fernbedienung 6 (IRC-6) von Chauvet.
Die folgenden Tasten der IRC-6-Fernbedienung werden für den Intimidator Trio verwendet:

- **<BLACKOUT>** - schaltet die LED ein/aus
- **<AUTO>** - wählt den Auto-Programm-Modus aus (scrollen)
- **<SOUND>** - wählt den Musiksteuerungs-Modus aus
- **<STROBE>** - Stroboskopeffekt (0–20 Hz)
- **<SPEED>** - Geschwindigkeit des Auto-Programms (Schwenkung und Neigung)
- **<SENSITIVITY>** - wählt die Musikempfindlichkeit aus
- **<%>** - LED-Dimmer
- **<MANUAL>** - manuelle Steuerung
- **<FADE>** - für Fade-Farbwechsel einmal drücken, für Snap zweimal drücken
- **<R>** - manuelle Steuerung der roten LED
- **<G>** - manuelle Steuerung der grünen LED
- **** - manuelle Steuerung der blauen LED
- **<W>** - manuelle Steuerung der weißen LED
- **<UV>** - manuelle Einstellung des Zooms/der Rotation
- **<A>** - manuelle Einstellung von Schwenkung und Neigung
- **<+>** - erhöhen
- **<->** - senken
- **<0>** bis **<9>** - wählt das Auto-Programm nach der Nummer aus

Montage Lesen Sie vor der Montage dieses Geräts in jedem Fall die [Sicherheitshinweise](#).



! Versichern Sie sich, dass bei Verwendung von nur einer Befestigungsklemme eine Sicherungsschraube zum Einsatz kommt, um ein unbeabsichtigtes Lösen zu verhindern.

Beschreibung des Bedienfeldes	Taste	Funktion
	<MENU>	Damit verlassen Sie das aktuelle Menü oder die Funktion.
	<UP>	Damit navigieren Sie sich durch die Menüpunkte nach oben und erhöhen den numerischen Wert der entsprechenden Funktion.
	<DOWN>	Damit navigieren Sie sich durch die Menüpunkte nach unten und verringern den numerischen Wert der entsprechenden Funktion.
	<ENTER>	Damit wird das aktuell angezeigte Menü aktiviert oder der aktuell ausgewählte Wert einer Funktion eingestellt.

Menüoptionen

Hauptfunktion	Programmirebenen		Beschreibung	
Address	001–512		Stellt die DMX-Startadresse ein	
Run Mode	DMX	15CH	Wählt den DMX-Modus aus	
		30CH		
	Slave	Slave 1–4	Wählt den Slave-Modus aus	
	Auto		Wählt das Auto-Modus aus	
	Sound		Wählt den Musiksteuerungs-Modus aus	
	IR		Wählt eine Infrarot-Steuerung	
	Manual	Pan	000–255	Manuelle Einstellung von Schwenkung
		Tilt	000–255	Manuelle Einstellung von Neigung
		P/T Speed	000–255	Manuelle Einstellung von Schwenkung und Neigung Geschwindigkeit
		Color	000–255	Manuelle Einstellung von Farben
		Rotate	000–255	Manuelle Einstellung von Rotierend
Zoom		000–255	Manuelle Einstellung von Zoom	
Dimmer		000–255	Manuelle Einstellung von Dimmer	
Setup	Pan Reverse	OFF	Normaler Schwenk-Modus	
		ON	Umgekehrter Schwenk-Modus	
	Tilt Reverse	OFF	Normaler Neigungs-Modus	
		ON	Umgekehrter Neigungs-Modus	
	Pan Angle	540	Wählt den 540°-Schwenkwinkelbereich aus	
		360	Wählt den 360°-Schwenkwinkelbereich aus	
		180	Wählt den 180°-Schwenkwinkelbereich aus	
	Tilt Angle	270	Wählt den 270°-Neigungswinkelbereich aus	
		180	Wählt den 180°-Neigungswinkelbereich aus	
		90	Wählt den 90°-Neigungswinkelbereich aus	
	Totem Mode	OFF	Normal-Modus	
		UP	Totem-Modus "Base Up"	
		DOWN	Totem-Modus "Base Down"	
	P/T Speed	Normal	Wählt die Geschwindigkeit der Schwenkung/Neigung aus	
		Fast		
		Slow		
	Fans	Auto	Stellt die Lüfterdrehzahl nach der Temperatur ein	
		Full	Lüfterdrehzahl auf volle Drehzahl	
	Display	OFF	Hintergrundbeleuchtung der Anzeige schaltet nach Inaktivität aus	
		ON	Hintergrundbeleuchtung der Anzeige bleibt immer an	
Screen Rev	OFF	Normale Anzeige		
	ON	Umgekehrte Anzeige		
Dimmer Curve	Square	Wählt die Dimmungskurve aus		
	I Squa			
	SCurve			
	Linear			

Hauptfunktion	Programmirebenen		Beschreibung
Setup (Fortsetzung)	Dimmer Speed	Fast	Wählt die Dimmergeschwindigkeit aus
		Smooth	
	Color Balance	RED	Wählt die Farbbalance aus (100 bis 255)
		GREEN	
		BLUE	
		WHITE	
	Sensitivity	001–100	Stellt die Musikempfindlichkeit ein
Reset		Setzt das Gerät zurück	
Factory Set		Lädt Werkseinstellung	
Sys Info	Ver V_		Zeigt die Software-Version an
	Running Mode _ _ _ _ _		Zeigt den aktuellen Betriebsmodus an
	DMX Address _ _ _		Zeigt die aktuelle DMX-Adresse an
	Temperature _ _ _		Zeigt die LED-Temperatur in Grad Celsius an

DMX-Verbindung Der Intimidator Trio kann mit einem DMX-Controller betrieben werden, wenn eine DMX-Serienschaltung zum Einsatz kommt. Anweisungen zum Zusammenschluss und der Konfiguration dieses Geräts für den Betrieb im DMX-Modus finden Sie im Benutzerhandbuch. Wenn Sie mit DMX nicht vertraut sind, laden Sie "DMX - Eine Einführung" unter www.chauvetlighting.com herunter.

Startadresse Um einen vollständigen Zugang zu allen Kanälen in jedem DMX-Modus zu gewährleisten, beträgt die höchste empfohlene DMX-Adresse **483**.

Master/Slave-Schaltung Der Intimidator Trio verwendet für seinen Master/Slave-Modus eine DMX-Datenverbindung. Anweisungen zum Zusammenschluss und der Konfiguration dieses Geräts für den Betrieb im Master/Slave-Modus finden Sie im Benutzerhandbuch.

DMX Werte

30CH

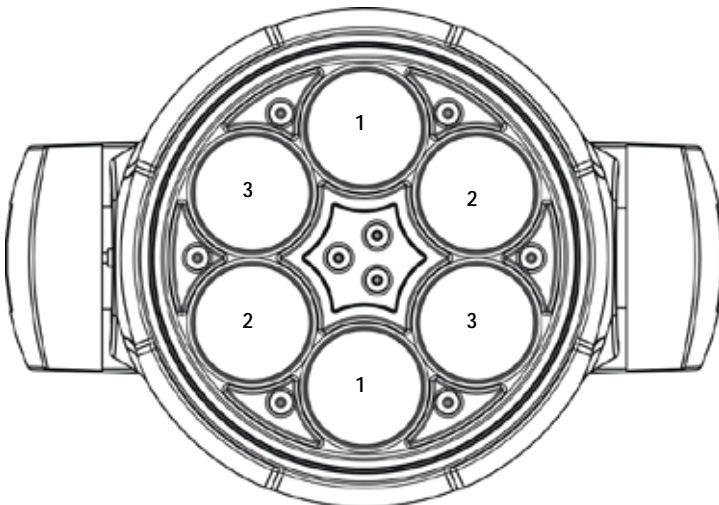
Kanal	Funktion	Wert	Prozent/ Einstellung
1	Schwenkung	000 ó 255	0 bis 540°
2	Schwenkung fein	000 ó 255	Feinkontrolle der Schwenkung
3	Neigung	000 ó 255	0 bis 270°
4	Neigung fein	000 ó 255	Feinkontrolle der Neigung
5	Geschwindigkeit	000 ó 255	Geschwindigkeit der Schwenkungs- und Neigungsbewegung (schnell bis langsam)
6	rot	000 ó 255	0 bis 100%
7	grün	000 ó 255	0 bis 100%
8	blau	000 ó 255	0 bis 100%
9	weiß	000 ó 255	0 bis 100%
10	rot	000 ó 255	0 bis 100%
11	grün	000 ó 255	0 bis 100%
12	blau	000 ó 255	0 bis 100%
13	weiß	000 ó 255	0 bis 100%
14	rot	000 ó 255	0 bis 100%
15	grün	000 ó 255	0 bis 100%
16	blau	000 ó 255	0 bis 100%
17	weiß	000 ó 255	0 bis 100%
18	Keine Funktion	000 ó 255	Keine Funktion (Voreinstellung)
19	Keine Funktion	000 ó 255	Keine Funktion (Voreinstellung)
20	Keine Funktion	000 ó 255	Keine Funktion (Voreinstellung)
21	Keine Funktion	000 ó 255	Keine Funktion (Voreinstellung)

Zone 1

Zone 2

Zone 3

Intimidator Trio - Steuerzonen



30CH
 (Forts.)

Kanal	Funktion	Wert	Prozent/ Einstellung
22	Farben	000 ◊ 004	Keine Funktion
		005 ◊ 009	Farbe 1
		010 ◊ 014	Farbe 2
		015 ◊ 019	Farbe 3
		020 ◊ 024	Farbe 4
		025 ◊ 029	Farbe 5
		030 ◊ 034	Farbe 6
		035 ◊ 039	Farbe 7
		040 ◊ 044	Farbe 8
		045 ◊ 049	Farbe 9
		050 ◊ 054	Farbe 10
		055 ◊ 059	Farbe 11
		060 ◊ 064	Farbe 12
		065 ◊ 069	Farbe 13
		070 ◊ 074	Farbe 14
		075 ◊ 079	Farbe 15
		080 ◊ 084	Farbe 16
		085 ◊ 089	Farbe 17
		090 ◊ 094	Farbe 18
		095 ◊ 099	Farbe 19
		100 ◊ 104	Farbe 20
		105 ◊ 109	Farbe 21
		110 ◊ 114	Farbe 22
		115 ◊ 119	Farbe 23
		120 ◊ 124	Farbe 24
		125 ◊ 129	Farbe 25
		130 ◊ 134	Farbe 26
		135 ◊ 139	Farbe 27
		140 ◊ 144	Farbe 28
		145 ◊ 149	Farbe 29
		150 ◊ 154	Farbe 30
		155 ◊ 159	Farbe 31
160 ◊ 164	Farbe 32		
165 ◊ 169	Farbe 33		
170 ◊ 174	Farbe 34		
175 ◊ 179	Keine Funktion		
180 ◊ 201	Farbänderung im Uhrzeigersinn (schnell bis langsam)		
202 ◊ 207	Stopp (Farbe bleibt aktuelle Farbe)		
208 ◊ 229	Farbänderung entgegen dem Uhrzeigersinn (schnell bis langsam)		
230 ◊ 234	Keine Funktion		
235 ◊ 249	Farbsprung (schnell bis langsam)		
250 ◊ 255	Musiksteuerungs-Farben		

30CH
 (Forts.)

Kanal	Funktion	Wert	Prozent/ Einstellung
23	Integrierte Steuerung	000 ó 015	Keine Funktion
		016 ó 031	Zonenmakro 1
		032 ó 047	Zonenmakro 2
		048 ó 063	Zonenmakro 3
		064 ó 079	Zonenmakro 4
		080 ó 095	Zonenmakro 5
		096 ó 111	Zonenmakro 6
		112 ó 127	Integriert 7 (Zonenmakros 1—6)
		128 ó 143	Integriertes Auto 1
		144 ó 159	Integriertes Auto 2
		160 ó 175	Integriertes Auto 3
		176 ó 191	Integriertes Auto 4
		192 ó 207	Integriertes Auto 5
		208 ó 223	Integriertes Auto 6
		224 ó 239	Integriertes Auto 7
		240 ó 255	Integriert 8 (integriertes Auto 1 bis 7)
24	Integrierte Geschwindigkeit	000 ó 255	Zonen-Makros und integrierte Auto-Geschwindigkeit (langsam bis schnell)
25	Dimmer	000 ó 255	0 bis 100%
26	Shutter	000 ó 019	Geschlossen
		020 ó 024	Offen
		025 ó 064	Stroboskopeffekt (sinkende Geschwindigkeit)
		065 ó 069	Offen
		070 ó 084	Schnell ein, langsam aus (sinkende Geschwindigkeit)
		085 ó 089	Offen
		090 ó 104	Langsam ein, schnell aus (sinkende Geschwindigkeit)
		105 ó 109	Offen
		110 ó 124	Zufalls-Shutter (sinkende Geschwindigkeit)
		125 ó 129	Offen
		130 ó 144	Zufall schnell ein, langsam aus (sinkende Geschwindigkeit)
		145 ó 149	Offen
		150 ó 164	Zufall langsam ein, schnell aus (sinkende Geschwindigkeit)
		165 ó 169	Offen
		170 ó 184	Pulse-Effekt 1 (sinkende Geschwindigkeit)
		185 ó 189	Offen
		190 ó 204	Pulse-Effekt 2 (sinkende Geschwindigkeit)
		205 ó 209	Offen
		210 ó 224	Stufenweise ein und aus (sinkende Geschwindigkeit)
		225 ó 229	Offen
230 ó 244	Pulse-Effekt 3 (sinkende Geschwindigkeit)		
245 ó 255	Offen		
27	Zoom	000 ó 255	Vergrößern und verkleinern

30CH (Forts.)	Kanal	Funktion	Wert	Prozent/ Einstellung
28	28	Steuerfunktionen	000 ○ 009	Keine Funktion
			010 ○ 014	Verdunkelung während der Schwenkung/Neigung
			015 ○ 019	Keine Funktion
			020 ○ 049	Für künftige Verwendung reserviert
			050 ○ 054	Schwenkung zurücksetzen
			055 ○ 059	Neigung zurücksetzen
			060 ○ 064	Zoom zurücksetzen
			065 ○ 069	Rotation zurücksetzen
			070 ○ 074	Alle zurücksetzen
			075 ○ 079	Keine Funktion
			080 ○ 084	Umgekehrte Schwenkung/Neigung
			085 ○ 089	Umgekehrte Schwenkung
			090 ○ 094	Umgekehrte Neigung
			095 ○ 099	Umgekehrte Schwenkung abbrechen
			100 ○ 104	Umgekehrte Neigung abbrechen
			105 ○ 109	Umgekehrte Schwenkung/Neigung abbrechen
			110 ○ 114	Normale Schwenkungs-/Neigungsgeschwindigkeit
			115 ○ 119	Hohe Schwenkungs-/Neigungsgeschwindigkeit
			120 ○ 124	Niedrige Schwenkungs-/Neigungsgeschwindigkeit
			125 ○ 129	Lüfter (volle Drehzahl)
130 ○ 134	Lüfter (automatisch)			
135 ○ 139	Dimmer, hohe Geschwindigkeit			
140 ○ 144	Dimmer, niedrige Geschwindigkeit			
145 ○ 255	Keine Funktion			
29	29	Bewegungsmakros	000 ○ 007	Keine Funktion
			008 ○ 023	Makro für automatische Bewegung 1
			024 ○ 039	Makro für automatische Bewegung 2
			040 ○ 055	Makro für automatische Bewegung 3
			056 ○ 071	Makro für automatische Bewegung 4
			072 ○ 087	Makro für automatische Bewegung 5
			088 ○ 103	Makro für automatische Bewegung 6
			104 ○ 119	Makro für automatische Bewegung 7
			120 ○ 135	Makro für automatische Bewegung 8
			136 ○ 151	Makro für musikgesteuerte Bewegung 1
			152 ○ 167	Makro für musikgesteuerte Bewegung 2
			168 ○ 183	Makro für musikgesteuerte Bewegung 3
			184 ○ 199	Makro für musikgesteuerte Bewegung 4
			200 ○ 215	Makro für musikgesteuerte Bewegung 5
			216 ○ 231	Makro für musikgesteuerte Bewegung 6
232 ○ 247	Makro für musikgesteuerte Bewegung 7			
248 ○ 255	Makro für musikgesteuerte Bewegung 8			
30	30	Rotierend	000 ○ 063	Rotierender Chase
			064 ○ 095	Rotierender kleiner Shake (langsam bis schnell)
			096 ○ 127	Rotierender großer Shake (langsam bis schnell)
			128 ○ 191	Rotierend (von langsam nach schnell)
			192 ○ 255	In umgekehrter Richtung rotierend (von langsam nach schnell)

(Wenn der Wert für **Kanal 27 (Zoom)** über 150 liegt

15CH	Kanal	Funktion	Wert	Prozent/ Einstellung
	1	Schwenkung	000 ó 255	0 bis 540°
	2	Neigung	000 ó 255	0 bis 270°
	3	Geschwindigkeit	000 ó 255	Schwenkung/Neigung (schnell bis langsam)
	4	rot	000 ó 255	0 bis 100%
	5	grün	000 ó 255	0 bis 100%
	6	blau	000 ó 255	0 bis 100%
	7	weiß	000 ó 255	0 bis 100%
	8	Integrierte Steuerung	000 ó 015	Keine Funktion
			016 ó 031	Zonenmakro 1
			032 ó 047	Zonenmakro 2
			048 ó 063	Zonenmakro 3
			064 ó 079	Zonenmakro 4
			080 ó 095	Zonenmakro 5
			096 ó 111	Zonenmakro 6
			112 ó 127	Integriert 7 (Zonenmakros 1—6)
			128 ó 143	Integriertes Auto 1
			144 ó 159	Integriertes Auto 2
			160 ó 175	Integriertes Auto 3
			176 ó 191	Integriertes Auto 4
			192 ó 207	Integriertes Auto 5
	208 ó 223	Integriertes Auto 6		
	224 ó 239	Integriertes Auto 7		
	240 ó 255	Integriert 8 (integriertes Auto 1 bis 7)		
	9	Integrierte Geschwindigkeit	000 ó 255	Zonen und integrierte Auto-Geschwindigkeit (langsam bis schnell)
	10	Dimmer	000 ó 255	0 bis 100%

15CH (Forts.)	Kanal	Funktion	Wert	Prozent/ Einstellung
			000 ◊ 019	Geschlossen
			020 ◊ 024	Offen
			025 ◊ 064	Stroboskopeffekt (sinkende Geschwindigkeit)
			065 ◊ 069	Offen
			070 ◊ 084	Schnell ein, langsam aus (sinkende Geschwindigkeit)
			085 ◊ 089	Offen
			090 ◊ 104	Langsam ein, schnell aus (sinkende Geschwindigkeit)
			105 ◊ 109	Offen
			110 ◊ 124	Zufalls-Shutter (sinkende Geschwindigkeit)
			125 ◊ 129	Offen
	11	Shutter	130 ◊ 144	Zufall schnell ein, langsam aus (sinkende Geschwindigkeit)
			145 ◊ 149	Offen
			150 ◊ 164	Zufall langsam ein, schnell aus (sinkende Geschwindigkeit)
			165 ◊ 169	Offen
			170 ◊ 184	Pulse-Effekt 1 (sinkende Geschwindigkeit)
			185 ◊ 189	Offen
			190 ◊ 204	Pulse-Effekt 2 (sinkende Geschwindigkeit)
			205 ◊ 209	Offen
			210 ◊ 224	Stufenweise ein und aus (sinkende Geschwindigkeit)
			225 ◊ 229	Offen
			230 ◊ 244	Pulse-Effekt 3 (sinkende Geschwindigkeit)
			245 ◊ 255	Offen
	12	Zoom	000 ◊ 255	Vergrößern und verkleinern

15CH
(Forts)

Kanal	Funktion	Wert	Prozent/ Einstellung
13	Steuerfunktionen	000 ó 009	Keine Funktion
		010 ó 014	Schwenkungs- und Neigungverdunkelung
		015 ó 019	Keine Funktion
		020 ó 049	Für künftige Verwendung reserviert
		050 ó 054	Schwenkung zurücksetzen
		055 ó 059	Neigung zurücksetzen
		060 ó 064	Zoom zurücksetzen
		065 ó 069	Keine Funktion
		070 ó 074	Alle zurücksetzen
		075 ó 079	Keine Funktion
		080 ó 084	Umgekehrte Schwenkung/Neigung
		085 ó 089	Umgekehrte Schwenkung
		090 ó 094	Umgekehrte Neigung
		095 ó 099	Umgekehrte Schwenkung abbrechen
		100 ó 104	Umgekehrte Neigung abbrechen
		105 ó 109	Umgekehrte Schwenkung/Neigung abbrechen
		110 ó 114	Normale Schwenkungs-/Neigungsgeschwindigkeit
		115 ó 119	Hohe Schwenkungs-/Neigungsgeschwindigkeit
		120 ó 124	Niedrige Schwenkungs-/Neigungsgeschwindigkeit
		125 ó 129	Lüfter (volle Drehzahl)
130 ó 134	Lüfter (automatisch)		
135 ó 139	Dimmer, hohe Geschwindigkeit		
140 ó 144	Dimmer, niedrige Geschwindigkeit		
145 ó 255	Keine Funktion		
14	Bewegungsmakros	000 ó 007	Keine Funktion
		008 ó 023	Makro für automatische Bewegung 1
		024 ó 039	Makro für automatische Bewegung 2
		040 ó 055	Makro für automatische Bewegung 3
		056 ó 071	Makro für automatische Bewegung 4
		072 ó 087	Makro für automatische Bewegung 5
		088 ó 103	Makro für automatische Bewegung 6
		104 ó 119	Makro für automatische Bewegung 7
		120 ó 135	Makro für automatische Bewegung 8
		136 ó 151	Makro für musikgesteuerte Bewegung 1
		152 ó 167	Makro für musikgesteuerte Bewegung 2
		168 ó 183	Makro für musikgesteuerte Bewegung 3
		184 ó 199	Makro für musikgesteuerte Bewegung 4
		200 ó 215	Makro für musikgesteuerte Bewegung 5
		216 ó 231	Makro für musikgesteuerte Bewegung 6
		232 ó 247	Makro für musikgesteuerte Bewegung 7
248 ó 255	Makro für musikgesteuerte Bewegung 8		
15	Rotierend	000 ó 063	Rotierender Chase
		064 ó 095	Rotierender kleiner Shake (langsam bis schnell)
		096 ó 127	Rotierender großer Shake (langsam bis schnell)
		128 ó 191	Rotierend (von langsam nach schnell)
		192 ó 255	In umgekehrter Richtung rotierend (von langsam nach schnell)

(Wenn der Wert für **Kanal 27 (Zoom)** über 150 liegt

Informazioni sulla Guida

La Guida Rapida di Intimidator Trio contiene informazioni di base sul prodotto quali montaggio, opzioni menù e valori DMX. Per maggiori dettagli, scaricare il Manuale Utente dal sito www.chauvetlighting.com

Esclusione di responsabilità

Le informazioni e le specifiche contenute in questa guida possono essere modificate senza preavviso.

Note di Sicurezza

Le Note di Sicurezza includono informazioni importanti circa il montaggio, l'uso e la manutenzione.



- Collegare questa unità **SOLTANTO** ad un circuito dotato di messa a terra e protetto.
- Prima di effettuare la pulizia o sostituire il fusibile, scollegare sempre l'unità dall'alimentazione elettrica.
- **NON** guardare la sorgente luminosa quando l'unità è in funzione.
- Assicurarsi che il cavo di alimentazione non sia piegato o danneggiato.
- Non scollegare mai questa apparecchiatura dall'alimentazione elettrica tirando il cavo.
- Per il montaggio in alto dell'unità utilizzare **SEMPRE** un cavo di sicurezza.
- **NON** collocare materiale infiammabile vicino all'unità mentre è in funzione.
- **NON** toccare l'unità durante il funzionamento perché potrebbe essere molto calda.



- La tensione della presa a muro cui si collega l'apparecchiatura deve trovarsi entro il campo specificato sull'etichetta o sul pannello posteriore.
- Questa apparecchiatura deve essere utilizzata soltanto in interni (IP20)! Per evitare il rischio di incendio o di folgorazione non esporre l'apparecchiatura alla pioggia o all'umidità.
- Montare sempre l'unità in posizione ben ventilata, ad almeno 50 cm. (20") da qualsiasi superficie.
- Assicurarsi che nessuna apertura di ventilazione dell'unità sia ostruita.
- Non collegare mai ad un dimmer o ad un reostato
- Sostituire il fusibile con un altro dello stesso tipo e classe.
- Prendere e trasportare l'unità solo per mezzo delle maniglie o di un morsetto di montaggio con portata adeguata.
- Massima temperatura ambiente ammessa: 40 °C (104 °F). Non utilizzare l'apparecchiatura a temperature superiori.
- In caso di gravi problemi di funzionamento sospendere immediatamente l'utilizzo.
- **NON** aprire l'unità. Non contiene parti riparabili dall'utente.
- Per evitarne l'eccessiva usura e migliorarne la durata nel tempo, scollegare l'unità dalla presa elettrica o disattivare l'alimentazione tramite l'apposito interruttore, se inutilizzata per lunghi periodi.

Contatti

Per richiedere assistenza o restituire l'apparecchiatura, al di fuori di Stati Uniti, Regno Unito, Irlanda, Messico o Benelux contattare il distributore locale. Per informazioni sui contatti, visitare il sito Web www.chauvetlighting.com.

Che cosa è incluso

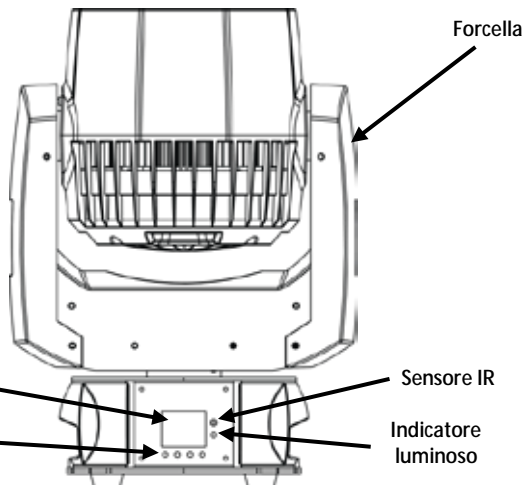
- | | |
|---|-------------------------|
| • Intimidator Trio | • Cavo di alimentazione |
| • Staffa per montaggio sospeso con relativi accessori | • Scheda di garanzia |
| | • Guida Rapida |

Per iniziare

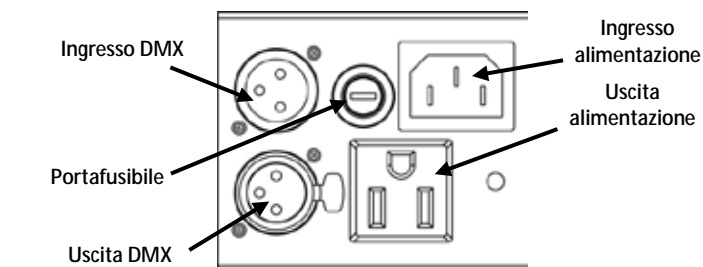
Disimballare Intimidator Trio ed accertarsi di aver ricevuto tutti i componenti integri. Se l'imballo appare danneggiato, farlo immediatamente presente al trasportatore e non a Chauvet.

Descrizione Intimidator Trio è un versatile proiettore a testa mobile con raggio, wash ed effetti, dotato di 6 LED quad-color RGBW. Lo zoom motorizzato ne consente l'utilizzo in applicazioni short-throw o long-throw, mentre la trama a nido d'ape in continua rotazione assicura tutta l'emozione di un effetto luce. È inoltre dotato di schermo LCD full color a contrasto elevato per facile navigazione e visualizzazione completa del testo. Possibilità di creare show sincronizzati in modalità master/slave grazie ai programmi automatizzati integrati di facile accesso. Grazie al telecomando IRC-6 di Chauvet (opzionale), è possibile controllare l'unità in modalità wireless non DMX. Intimidator Spot Trio è adatto alla borsa CHS-50 VIP di Chauvet.

Vista anteriore



Vista d'insieme



Vista pannello posteriore

Alimentazione CA Questa apparecchiatura è dotata di alimentatore a commutazione automatica con tensione in ingresso di 100~240 V CC - 50/60 Hz.

Collegamento Per il numero massimo di apparecchiature che è possibile collegare su ciascuna presa elettrica, fare riferimento alle note riportate sull'etichetta apposta sul prodotto o al Manuale Utente.

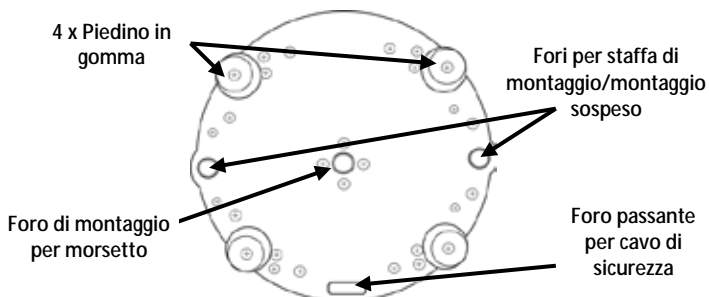
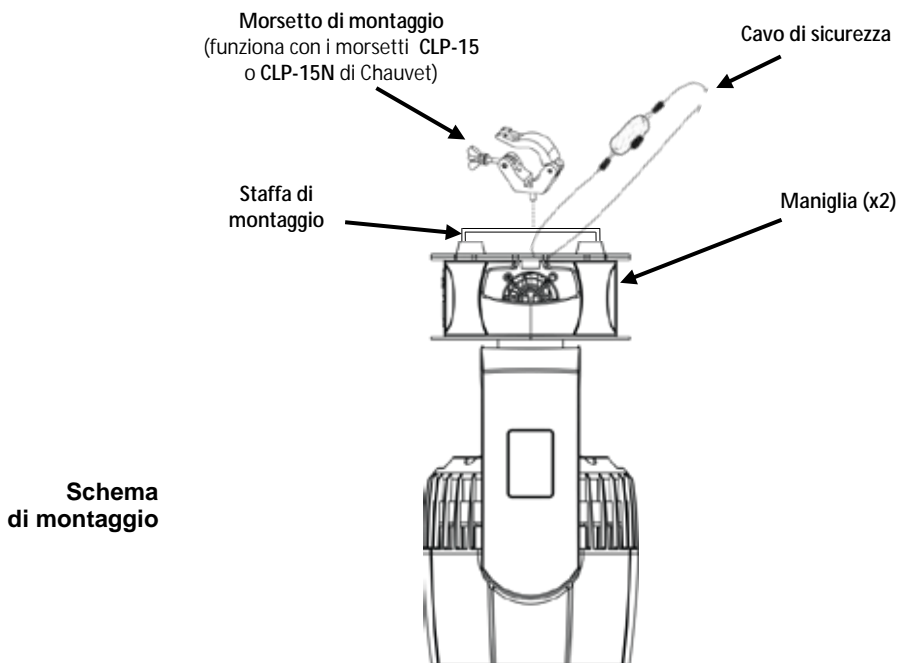
- Sostituzione fusibile**
1. Scollegare l'alimentazione elettrica dall'unità.
 2. Utilizzando un giravite a testa piatta, allentare il portafusibile e tirarlo verso l'esterno.
 3. Rimuovere il fusibile bruciato e sostituirlo con uno identico.
 4. Reinserire il portafusibile e ricollegare l'alimentazione elettrica.

Telecomando a infrarossi 6 (IRC-6) Intimidator Trio è compatibile con il telecomando a infrarossi 6 (IRC-6) di Chauvet.

Con Intimidator Trio vengono utilizzati i seguenti pulsanti del telecomando:

- <**BLACKOUT**> - Attiva e disattiva i LED
- <**AUTO**> - Seleziona la modalità programma automatico (scorrimento)
- <**SOUND**> - Seleziona la modalità Attivazione sonora
- <**STROBE**> - Attiva lo strobo (0-20 Hz)
- <**SPEED**> - Velocità programma automatico rotazione/brandeggio
- <**SENSITIVITY**> - Seleziona la sensibilità sonora
- <**%**> - Dimmer LED
- <**MANUAL**> - Controllo manuale
- <**FADE/SNAP**> - Premere una volta per cambio colore Fade/Premere due volte per Snap
- <**R**> - Controllo manuale LED Rosso
- <**G**> - Controllo manuale LED Verde
- <**B**> - Controllo manuale LED Blu
- <**W**> - Controllo manuale LED Bianco
- <**UV**> - Regolazione manuale zoom/rotazione
- <**A**> - Regolazione manuale rotazione/brandeggio
- <**+**> - Aumento
- <**-**> - Diminuzione
- Da <**0**> a <**9**> - Selezione programma automatico in base al numero

Montaggio Prima di montare l'unità, leggere le [Note di Sicurezza](#).



! Quando si utilizza un solo morsetto di montaggio, assicurarsi di utilizzarne uno con prigioniero per evitare che si allenti accidentalmente.

Descrizione del pannello di controllo	Pulsante	Funzione
	<MENU>	Consente di uscire dal menù o dalla funzione corrente.
	<UP>	Consente di spostarsi verso l'alto nell'elenco menù e di aumentare il valore numerico all'interno di una funzione.
	<DOWN>	Consente di spostarsi verso il basso nell'elenco menù e di diminuire il valore numerico all'interno di una funzione.
	<ENTER>	Consente di attivare il menù visualizzato o impostare il valore selezionato nella funzione selezionata.

Opzioni del menù

Funzioni principali	Livelli di programmazione		Descrizione	
Address	001–512		Imposta l'indirizzo DMX iniziale	
Run Mode	DMX	15CH	Seleziona la modalità DMX	
		30CH		
	Slave	Slave 1–4	Seleziona la modalità Slave	
	Auto		Seleziona i modalità Auto	
	Sound		Seleziona la modalità Attivazione sonora	
	IR		Seleziona il controllo a infrarossi	
	Manual	Pan	000–255	Regolazione manuale pan (rotazione)
		Tilt	000–255	Regolazione manuale brandeggio
		P/T Speed	000–255	Regolazione manuale velocità rotazione/brandeggio
		Color	000–255	Regolazione manuale colori
		Rotate	000–255	Regolazione manuale rotazione
Zoom		000–255	Regolazione manuale zoom	
Dimmer		000–255	Regolazione manuale dimmer	
Setup	Pan Reverse	OFF	Funzionamento in rotazione normale	
		ON	Funzionamento in rotazione inversa	
	Tilt Reverse	OFF	Funzionamento in brandeggio normale	
		ON	Funzionamento in brandeggio inverso	
	Pan Angle	540	Seleziona l'angolo di rotazione 540°	
		360	Seleziona l'angolo di rotazione 360°	
		180	Seleziona l'angolo di rotazione 180°	
	Tilt Angle	270	Seleziona l'angolo di brandeggio di 270°	
		180	Seleziona l'angolo di brandeggio di 180°	
		90	Seleziona l'angolo di brandeggio di 90°	
	Totem Mode	OFF	Modalità normale	
		UP	Modalità Totem base verso l'alto	
		DOWN	Modalità Totem base verso il basso	
	P/T Speed	Normal	Seleziona la velocità di rotazione/brandeggio	
		Fast		
		Slow		
	Fans	Auto	Seleziona la velocità della ventola in base alla temperatura	
		Full	Velocità massima della ventola	
	Display	OFF	Disattivazione retroilluminazione del display dopo inattività	
		ON	Retroilluminazione del display attiva	
Screen Rev	OFF	Visualizzazione normale		
	ON	Visualizzazione inversa		
Dimmer Curve	Square	Seleziona la modalità curva dimmer		
	I Squa			
	SCurve			
	Linear			

Funzioni principali	Livelli di programmazione		Descrizione
Setup (cont.)	Dimmer Speed	Fast	Seleziona la velocità dimmer
		Smooth	
	Color Balance	RED	Seleziona il bilanciamento colore (da 100 a 255)
		GREEN	
		BLUE	
		WHITE	
	Sensitivity	001-100	Imposta la sensibilità sonora
Reset		Reimposta l'unità	
Factory Set		Carica le impostazioni standard	
Sys Info	Ver V_		Visualizza la versione del software
	Running Mode	-----	Visualizza la modalità di funzionamento corrente
	DMX Address	---	Visualizza l'indirizzo DMX corrente
	Temperature	---	Visualizza la temperatura LED in gradi Celsius

Collegamento DMX Intimidator Trio può funzionare con un controller DMX quando collegato tramite connessioni seriali DMX. Le istruzioni per il collegamento e la configurazione di questa unità sono contenute nel Manuale Utente. Se non si ha familiarità con il DMX, scaricare DMX Primer all'indirizzo www.chauvetlighting.com.

Indirizzo iniziale Per assicurare il completo accesso a tutti i canali in ciascuna modalità DMX, l'indirizzo maggiormente raccomandato è **483**.

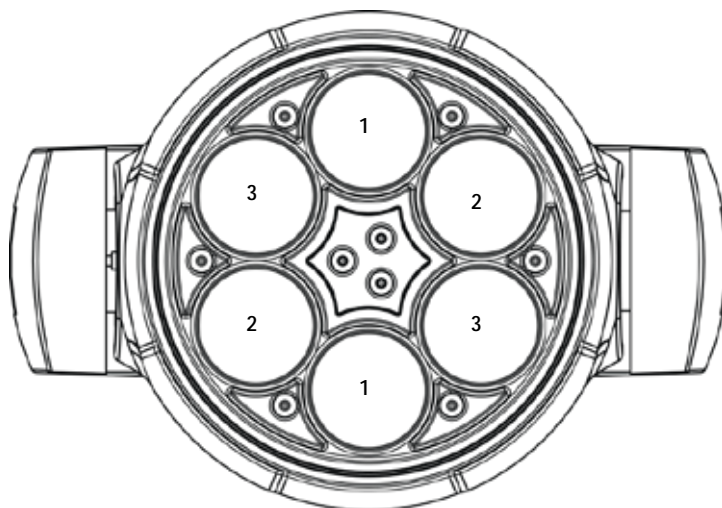
Collegamento Master/Slave In modalità Master/Slave, Intimidator Trio utilizza il collegamento dati DMX. Le istruzioni per il collegamento e la configurazione di questa unità per il funzionamento Master/Slave sono contenute nel Manuale Utente.

Valori DMX

30CH

Canale	Funzione	Valore	Percentuale/Impostazione	
1	Rotazione	000 ó 255	da 0 a 540°	
2	Rotazione fine	000 ó 255	Controllo fine della rotazione	
3	Brandeggio	000 ó 255	da 0 a 270°	
4	Brandeggio fine	000 ó 255	Controllo fine del brandeggio	
5	Velocità	000 ó 255	Velocità rotazione/brandeggio (da rapida a lenta)	
6	Rosso	000 ó 255	da 0 a 100%	Zona 1
7	Verde	000 ó 255	da 0 a 100%	
8	Blu	000 ó 255	da 0 a 100%	
9	Bianco	000 ó 255	da 0 a 100%	Zona 2
10	Rosso	000 ó 255	da 0 a 100%	
11	Verde	000 ó 255	da 0 a 100%	
12	Blu	000 ó 255	da 0 a 100%	Zona 3
13	Bianco	000 ó 255	da 0 a 100%	
14	Rosso	000 ó 255	da 0 a 100%	
15	Verde	000 ó 255	da 0 a 100%	Zona 3
16	Blu	000 ó 255	da 0 a 100%	
17	Bianco	000 ó 255	da 0 a 100%	
18	Nessuna funzione	000 ó 255	Nessuna funzione (pre-impostato)	
19	Nessuna funzione	000 ó 255	Nessuna funzione (pre-impostato)	
20	Nessuna funzione	000 ó 255	Nessuna funzione (pre-impostato)	
21	Nessuna funzione	000 ó 255	Nessuna funzione (pre-impostato)	

Zone di controllo Intimidator Trio



30CH (cont.)	Canale	Funzione	Valore	Percentuale/Impostazione
			000 ó 004	Nessuna funzione
			005 ó 009	Colore 1
			010 ó 014	Colore 2
			015 ó 019	Colore 3
			020 ó 024	Colore 4
			025 ó 029	Colore 5
			030 ó 034	Colore 6
			035 ó 039	Colore 7
			040 ó 044	Colore 8
			045 ó 049	Colore 9
			050 ó 054	Colore 10
			055 ó 059	Colore 11
			060 ó 064	Colore 12
			065 ó 069	Colore 13
			070 ó 074	Colore 14
			075 ó 079	Colore 15
			080 ó 084	Colore 16
			085 ó 089	Colore 17
			090 ó 094	Colore 18
			095 ó 099	Colore 19
			100 ó 104	Colore 20
			105 ó 109	Colore 21
			110 ó 114	Colore 22
			115 ó 119	Colore 23
			120 ó 124	Colore 24
			125 ó 129	Colore 25
			130 ó 134	Colore 26
			135 ó 139	Colore 27
			140 ó 144	Colore 28
			145 ó 149	Colore 29
			150 ó 154	Colore 30
			155 ó 159	Colore 31
			160 ó 164	Colore 32
			165 ó 169	Colore 33
			170 ó 174	Colore 34
			175 ó 179	Nessuna funzione
			180 ó 201	Cambio colore in senso orario (da veloce a lento)
			202 ó 207	Interruzione (il colore rimane quello corrente)
			208 ó 229	Cambio colore in senso antiorario (da veloce a lento)
			230 ó 234	Nessuna funzione
			235 ó 249	Salto colore (da veloce a lento)
			250 ó 255	Colori ad Attivazione sonora

22

Colori

30CH
 (cont.)

Canale	Funzione	Valore	Percentuale/Impostazione
23	Controllo integrato	000 ○ 015	Nessuna funzione
		016 ○ 031	Zona macro 1
		032 ○ 047	Zona macro 2
		048 ○ 063	Zona macro 3
		064 ○ 079	Zona macro 4
		080 ○ 095	Zona macro 5
		096 ○ 111	Zona macro 6
		112 ○ 127	Integrata 7 (zona macro 1—6)
		128 ○ 143	Automatico 1 integrato
		144 ○ 159	Automatico 2 integrato
		160 ○ 175	Automatico 3 integrato
		176 ○ 191	Automatico 4 integrato
		192 ○ 207	Automatico 5 integrato
		208 ○ 223	Automatico 6 integrato
		224 ○ 239	Automatico 7 integrato
240 ○ 255	Automatico 8 integrato (automatico integrato 1—7)		
24	Velocità integrata	000 ○ 255	Macro di zona e velocità automatica integrata (da lenta a veloce)
25	Dimmer	000 ○ 255	Da 0 a 100%
26	Otturatore	000 ○ 019	Chiuso
		020 ○ 024	Aperto
		025 ○ 064	Effetto strobo (velocità decrescente)
		065 ○ 069	Aperto
		070 ○ 084	Veloce on, lento off (velocità decrescente)
		085 ○ 089	Aperto
		090 ○ 104	Lento on, veloce off (velocità crescente)
		105 ○ 109	Aperto
		110 ○ 124	Otturatore casuale (velocità decrescente)
		125 ○ 129	Aperto
		130 ○ 144	Veloce casuale on, lento off (velocità decrescente)
		145 ○ 149	Aperto
		150 ○ 164	Lento casuale on, veloce off (velocità decrescente)
		165 ○ 169	Aperto
		170 ○ 184	Effetto impulso 1 (velocità decrescente)
		185 ○ 189	Aperto
		190 ○ 204	Effetto impulso 2 (velocità decrescente)
		205 ○ 209	Aperto
210 ○ 224	Gradualmente on e off (velocità decrescente)		
225 ○ 229	Aperto		
230 ○ 244	Effetto impulso 3 (velocità decrescente)		
245 ○ 255	Aperto		
27	Zoom	000 ○ 255	Zoom avanti e indietro

30CH (cont.)	Canale	Funzione	Valore	Percentuale/Impostazione
28	Funzioni di controllo	000 ó 009	Nessuna funzione	
		010 ó 014	Oscureamento durante rotazione/brandeggio	
		015 ó 019	Nessuna funzione	
		020 ó 049	Per utilizzo futuro	
		050 ó 054	Reimpostazione rotazione	
		055 ó 059	Reimpostazione brandeggio	
		060 ó 064	Reimpostazione zoom	
		065 ó 069	Reimpostazione rotazione	
		070 ó 074	Reimpostazione generale	
		075 ó 079	Nessuna funzione	
		080 ó 084	Inversione rotazione/brandeggio	
		085 ó 089	Inversione rotazione	
		090 ó 094	Brandeggio inverso	
		095 ó 099	Annulla inversione rotazione	
		100 ó 104	Annulla brandeggio inverso	
		105 ó 109	Annulla inversione rotazione/brandeggio	
		110 ó 114	Velocità normale rotazione/brandeggio	
		115 ó 119	Rotazione/brandeggio veloci	
		120 ó 124	Rotazione/brandeggio lenti	
		125 ó 129	Ventola (massima velocità)	
		130 ó 134	Ventola (automatica)	
		135 ó 139	Dimmer, veloce	
		140 ó 144	Dimmer, morbido	
145 ó 255	Nessuna funzione			
29	Macro di movimento	000 ó 007	Nessuna funzione	
		008 ó 023	Macro 1 movimento automatico	
		024 ó 039	Macro 2 movimento automatico	
		040 ó 055	Macro 3 movimento automatico	
		056 ó 071	Macro 4 movimento automatico	
		072 ó 087	Macro 5 movimento automatico	
		088 ó 103	Macro 6 movimento automatico	
		104 ó 119	Macro 7 movimento automatico	
		120 ó 135	Macro 8 movimento automatico	
		136 ó 151	Macro 1 movimento ad attivazione sonora	
		152 ó 167	Macro 2 movimento ad attivazione sonora	
		168 ó 183	Macro 3 movimento ad attivazione sonora	
		184 ó 199	Macro 4 movimento ad attivazione sonora	
		200 ó 215	Macro 5 movimento ad attivazione sonora	
		216 ó 231	Macro 6 movimento ad attivazione sonora	
		232 ó 247	Macro 7 movimento ad attivazione sonora	
248 ó 255	Macro 8 movimento ad attivazione sonora			
30	Rotazione	000 ó 063	Chase in rotazione	Quando il valore Ch-27 (Zoom) è superiore a 150
		064 ó 095	Piccolo scuotimento in rotazione (da lento a veloce)	
		096 ó 127	Grande scuotimento in rotazione (da lento a veloce)	
		128 ó 191	Rotazione (da lento a veloce)	
		192 ó 255	Rotazione inversa (da lento a veloce)	

15-CH	Canale	Funzione	Valore	Percentuale/Impostazione
	1	Rotazione	000 ó 255	da 0 a 540°
	2	Brandeggio	000 ó 255	da 0 a 270°
	3	Velocità	000 ó 255	Rotazione/brandeggio (da veloce a lento)
	4	Rosso	000 ó 255	da 0 a 100%
	5	Verde	000 ó 255	da 0 a 100%
	6	Blu	000 ó 255	da 0 a 100%
	7	Bianco	000 ó 255	da 0 a 100%
	8	Controllo integrato	000 ó 015	Nessuna funzione
			016 ó 031	Zona macro 1
			032 ó 047	Zona macro 2
			048 ó 063	Zona macro 3
			064 ó 079	Zona macro 4
			080 ó 095	Zona macro 5
			096 ó 111	Zona macro 6
			112 ó 127	Integrata 7 (zona macro 1—6)
			128 ó 143	Automatico 1 integrato
			144 ó 159	Automatico 2 integrato
			160 ó 175	Automatico 3 integrato
			176 ó 191	Automatico 4 integrato
			192 ó 207	Automatico 5 integrato
	208 ó 223	Automatico 6 integrato		
	224 ó 239	Automatico 7 integrato		
	240 ó 255	Automatico 8 integrato (automatico integrato 1—7)		
	9	Velocità integrata	000 ó 255	Zone e velocità integrata (da lenta a veloce)
	10	Dimmer	000 ó 255	da 0 a 100%

15-CH (cont.)	Canale	Funzione	Valore	Percentuale/Impostazione
			000 ó 019	Chiuso
			020 ó 024	Aperto
			025 ó 064	Effetto strobo (velocità decrescente)
			065 ó 069	Aperto
			070 ó 084	Veloce on, lento off (velocità decrescente)
			085 ó 089	Aperto
			090 ó 104	Lento on, veloce off (velocità crescente)
			105 ó 109	Aperto
			110 ó 124	Otturatore casuale (velocità decrescente)
			125 ó 129	Aperto
	11	Otturatore	130 ó 144	Veloce casuale on, lento off (velocità decrescente)
			145 ó 149	Aperto
			150 ó 164	Lento casuale on, veloce off (velocità decrescente)
			165 ó 169	Aperto
			170 ó 184	Effetto impulso 1 (velocità decrescente)
			185 ó 189	Aperto
			190 ó 204	Effetto impulso 2 (velocità decrescente)
			205 ó 209	Aperto
			210 ó 224	Gradualmente on e off (velocità decrescente)
			225 ó 229	Aperto
			230 ó 244	Effetto impulso 3 (velocità decrescente)
			245 ó 255	Aperto
	12	Zoom	000 ó 255	Zoom avanti e indietro

15-CH (cont.)	Canale	Funzione	Valore	Percentuale/Impostazione
13	13	Funzioni di controllo	000 ó 009	Nessuna funzione
			010 ó 014	Interruzione rotazione/brandeggio
			015 ó 019	Nessuna funzione
			020 ó 049	Per utilizzo futuro
			050 ó 054	Reimpostazione rotazione
			055 ó 059	Reimpostazione brandeggio
			060 ó 064	Reimpostazione zoom
			065 ó 069	Nessuna funzione
			070 ó 074	Reimpostazione generale
			075 ó 079	Nessuna funzione
			080 ó 084	Inversione rotazione/brandeggio
			085 ó 089	Inversione rotazione
			090 ó 094	Brandeggio inverso
			095 ó 099	Annulla inversione rotazione
			100 ó 104	Annulla brandeggio inverso
			105 ó 109	Annulla inversione rotazione/brandeggio
			110 ó 114	Velocità normale rotazione/brandeggio
			115 ó 119	Rotazione/brandeggio veloci
			120 ó 124	Rotazione/brandeggio lenti
			125 ó 129	Ventola (massima velocità)
130 ó 134	Ventola (automatica)			
135 ó 139	Dimmer, veloce			
140 ó 144	Dimmer, morbido			
145 ó 255	Nessuna funzione			
14	14	Macro di movimento	000 ó 007	Nessuna funzione
			008 ó 023	Macro 1 movimento automatico
			024 ó 039	Macro 2 movimento automatico
			040 ó 055	Macro 3 movimento automatico
			056 ó 071	Macro 4 movimento automatico
			072 ó 087	Macro 5 movimento automatico
			088 ó 103	Macro 6 movimento automatico
			104 ó 119	Macro 7 movimento automatico
			120 ó 135	Macro 8 movimento automatico
			136 ó 151	Macro 1 movimento ad attivazione sonora
			152 ó 167	Macro 2 movimento ad attivazione sonora
			168 ó 183	Macro 3 movimento ad attivazione sonora
			184 ó 199	Macro 4 movimento ad attivazione sonora
			200 ó 215	Macro 5 movimento ad attivazione sonora
			216 ó 231	Macro 6 movimento ad attivazione sonora
			232 ó 247	Macro 7 movimento ad attivazione sonora
			248 ó 255	Macro 8 movimento ad attivazione sonora
15	15	Rotazione	000 ó 063	Chase in rotazione
			064 ó 095	Piccolo scuotimento in rotazione (da lento a veloce)
			096 ó 127	Grande scuotimento in rotazione (da lento a veloce)
			128 ó 191	Rotazione (da lento a veloce)
			192 ó 255	Rotazione inversa (da lento a veloce)

Quando il valore **Ch-27 (Zoom)** è superiore a 150

Over Deze Handleiding De Intimidator Trio Beknopte Handleiding (BH) bevat basisinformatie over het product, zoals montage, menu-opties en DMX-waarden. Download de User Manual van www.chauvetlighting.com voor meer details.

Disclaimer De informatie en specificaties in deze BH kunnen zonder voorafgaande kennisgeving worden gewijzigd.

Veiligheidsinstructies Deze veiligheidsinstructies bevatten belangrijke informatie over de installatie, het gebruik en het onderhoud.



- Sluit dit product uitsluitend op een geaard en beveiligd circuit.
- Haal voor het vervangen van de zekering altijd de stekker van het product uit het stopcontact.
- Kijk niet in de lichtbron wanneer het apparaat is ingeschakeld.
- Zorg ervoor dat de stroomkabel niet gesmolten of beschadigd is.
- Ontkoppel het product nooit van het stopcontact door aan het snoer te trekken.
- Gebruik een veiligheidskabel wanneer het product boven lichaamshoogte wordt gemonteerd.
- Er mogen geen brandbare materialen in de buurt van de unit komen tijdens gebruik.
- Raak het product niet aan wanneer het in werking omdat het dan heet zijn.



- De spanning van het stopcontact waarop u dit product aansluit moet binnen het vermelde bereik op de sticker of achterkant van het product zijn.
- Het product is alleen voor gebruik binnenshuis! (IP20) Om risico op brand of elektrische schokken te voorkomen, mag dit product niet aan regen of vocht worden blootgesteld.
- Monteer dit product altijd op een plek met voldoende ventilatie, minstens 20 inch (50 cm) van de aangrenzende oppervlakken.
- Zorg ervoor dat er geen ventilatie-openingen van de behuizing van het product worden geblokkeerd.
- Sluit dit product nooit aan op een dimmer of een regelweerstand.
- Vervang de zekering met een van hetzelfde type en met dezelfde waarde.
- Gebruik alleen de handvatten of de toegevoegde montageklem met de juiste capaciteit om dit product te dragen.
- De maximale omgevingstemperatuur bedraagt 104 °F (40 °C). Gebruik dit product niet bij hogere temperaturen.
- Stop in het geval van ernstige operationele problemen onmiddellijk met het gebruik.
- Open het product niet. Het bevat geen te onderhouden onderdelen.
- Om onnodige slijtage te voorkomen en de levensduur te verengen, dient u tijdens stilstand het product volledig loskoppelen van de stroom d.m.v. stroomschakelaar of de stekker te ontkoppelen.

Contact Van buiten de VS, Verenigd Koninkrijk, Ierland, of Mexico of de Benelux, kunt u contact opnemen met de distributeur of om ondersteuning vragen dan wel het product retourneren. Ga naar www.chauvetlighting.com voor contactinformatie.

Wat is Inbegrepen

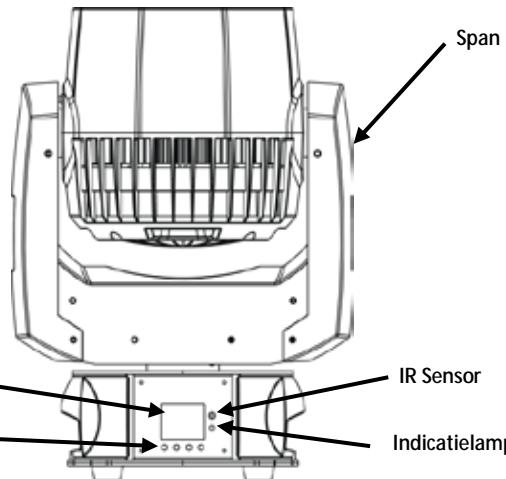
- Intimidator Trio
- Ophangbeugel met montage materiaal
- Stroomkabel
- Garantiekaart
- Beknopte Handleiding

Om te Beginnen Beschrijving

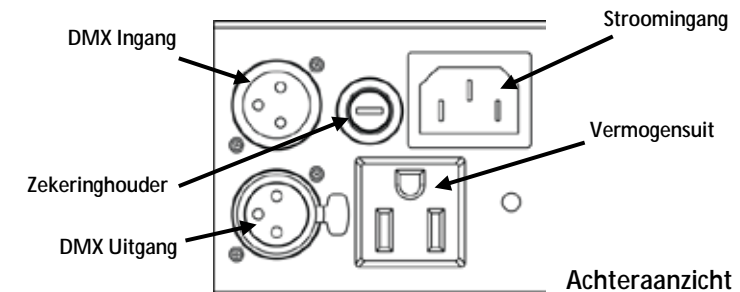
Pak uw Intimidator Trio uit en zorg ervoor dat u alle onderdelen in goede staat hebt ontvangen. Als de doos of de inhoud beschadigd lijkt, meldt het onmiddellijk aan de bezorger, niet aan Chauvet.

De Intimidator Trio is een veelzijdig moving head lichteffect met lichtstraal, schijnwerper en verschillende effecten. Het heeft 6 vier-kleurige RGBW LEDs. Gemotoriseerde zoom kan gebruikt worden voor short-throw en long-throw-toepassingen, continu draaiende honeycomb zorgt voor de opwinding van een lichteffect. Gemakkelijke navigatie en een volledige tekst uitlezing wordt getoond op een hoog-contrast, full-color LCD scherm. Genereer een gesynchroniseerde show in de Master/Slave stand met toegankelijke, ingebouwde automatische programma's. De optionele IRC-6 afstandsbediening van Chauvet biedt makkelijke, draadloze non-DMC besturing. De Intimidator Trio past het best in de CHS-50 VIP Gear Bag, ook verkrijgbaar via Chauvet.

Voorraanzicht



Overzicht



Achteraanzicht

AC Power Dit product heeft een auto-bereik voeding die kan werken met een ingangsspanning van 100 tot 240 VAC, 50/60 Hz.

Power Linking Voor het maximum aantal Intimidator Trio producten die via power linking kan worden gekoppeld bij elke spanning, zie de gebruikershandleiding of de sticker op het product.

Zekering Vervangen

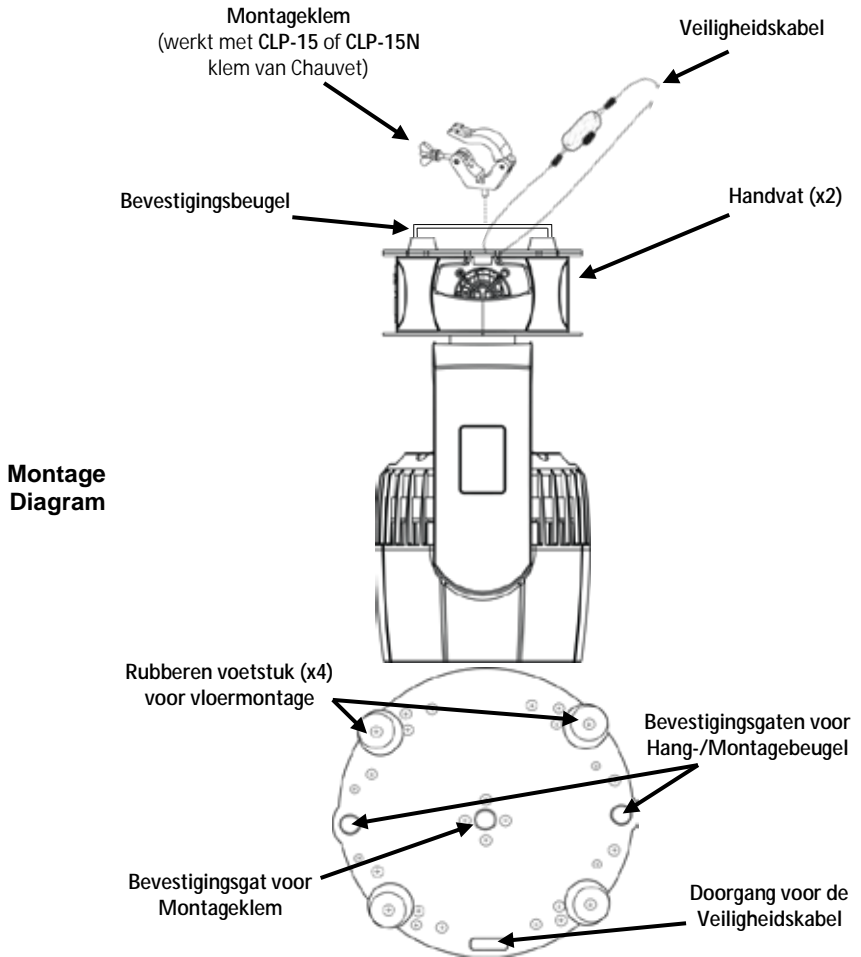
1. Ontkoppel het apparaat van de stroom.
2. Met behulp van een platte schroevendraaier, draai de zekeringhouder en trek deze er recht uit.
3. Verwijder de defecte zekering en vervang deze door een goede zekering van hetzelfde type.
4. Breng de zekeringhouder opnieuw in en zet het apparaat weer aan.


Infrarood Afstands bediening 6 (IRC-6) De Intimidator Trio is compatibel met de infrarood afstandsbediening 6 (IRC-6) van Chauvet.

De volgende IRC-6 knoppen worden gebruikt met de Intimidator Trio:

- <BLACKOUT> - Schakelt LED aan/uit
- <AUTO> - selecteert automatische programma modus (scrolling)
- <SOUND> - Selecteert Sound-Active stand
- <STROBE> - Stroboscoop (0–20 Hz)
- <SPEED> - Pan/Tilt auto programma snelheid
- <SENSITIVITY> - stelt geluidsgevoeligheid in
- <%> - LED dimmer
- <MANUAL> - Handmatige besturing
- <FADE/SNAP> - Druk eenmaal voor Fade kleurverandering/druk tweemaal voor Snap
- <R> - rode LED handmatige besturing
- <G> - groene LED handmatige besturing
- - blauwe LED handmatige besturing
- <W> - witte LED handmatige besturing
- <UV> - Zoom/draaien handmatige instelling
- <A> - Pan/Tilt handmatige instelling
- <+> - Verhoog
- <-> - Verlaag
- <0> tot <9> - Selecteer auto program per nummer

Montage Voordat u dit product monteert, lees eerst de [Veiligheidsinstructies](#).



 **Bij het gebruik van slechts één bevestigingsklem, moet u een klem gebruiken met een penschiettoestel per ongeluk losraken te voorkomen.**

Configuratie- scherm	Toets	Functie
Beschrijving	<MENU>	Uitgangen van het huidige menu of functie
	<UP>	Navigeert omhoog via het menu of verhoogt de numerieke waarde wanneer in een functie
	<DOWN>	Navigeert omlaag via het menu of verlaagt de numerieke waarde wanneer in een functie
	<ENTER>	Schakelt het huidige weergegeven menu in of stelt de momenteel geselecteerde waarde in de geselecteerde functie in

Menu Opties

Hoofdfunctie	Programmeerniveaus	Beschrijving		
Address	001–512	Stelt het DMX startadres in		
Run Mode	DMX	15CH	Selecteert DMX modus	
		30CH		
	Slave	Slave 1–4	Selecteert Slave modus	
		Auto	Selecteert Automatisch modus	
		Sound	Selecteert Geluidsactieve modus	
		IR	Selecteert infrarood besturing	
	Manual	Pan	000–255	Pan handmatige instelling
		Tilt	000–255	Tilt handmatige instelling
		P/T Speed	000–255	Pan/Tilt snelheid handmatige instelling
		Color	000–255	Kleuren handmatige instelling
		Rotate	000–255	Rotatie handmatige instelling
		Zoom	000–255	Zoom handmatige instelling
		Dimmer	000–255	Dimmer handmatige instelling
		Pan	000–255	Sluiter handmatige instelling
Setup	Pan Reverse	OFF	Normale pan optie	
		ON	Terugwerkende pan optie	
	Tilt Reverse	OFF	Normale tilt optie	
		ON	Terugwerkende tilt optie	
	Pan Angle	540	Selecteert de 540° pan hoekbereik	
		360	Selecteert de 360° pan hoekbereik	
		180	Selecteert de 180° pan hoekbereik	
	Tilt Angle	270	Selecteert de 270° tilt hoekbereik	
		180	Selecteert de 180° tilt hoekbereik	
		90	Selecteert de 90° tilt hoekbereik	
	Totem Mode	OFF	Normale Stand	
		UP	Totem Stand Base Up	
		DOWN	Totem Stand Base Down	
	P/T Speed	Normal	Selecteert de pan/tilt snelheid	
		Fast		
		Slow		
	Fans	Auto	Stelt de ventilator snelheid in afhankelijk van de temperatuur	
Full		Ventilator snelheid ingesteld op volle snelheid		
Display	OFF	Scherm achtergrond dooft na inactiviteit		
	ON	Scherm achtergrond blijft aan		

Hoofdfunctie	Programmeerniveaus	Beschrijving	
Setup (vervolg)	Screen Rev	OFF	Normaal scherm
		ON	Omgekeerd scherm
	Dimmer Curve	Square	Selecteert de dimmer curve stand
		I Squa	
		SCurve	
		Linear	
	Dimmer Speed	Fast	Selecteert de dimmer snelheid
		Smooth	
	Color Balance	RED	Selecteert de kleurbalans (100 tot 255)
		GREEN	
		BLUE	
		WHITE	
	Sensitivity	001–100	Stelt de geluidsgevoeligheid in
Reset		Reset het product	
Factory Set		Laad de fabrieksinstellingen	
Sys Info	Ver V_		Toont de software versie
	Running Mode _ _ _ _ _		Toont de huidige actieve stand
	DMX Address _ _ _		Toont huidige DMX adres
	Temperature _ _ _		Toont de LED temperatuur in Celsius

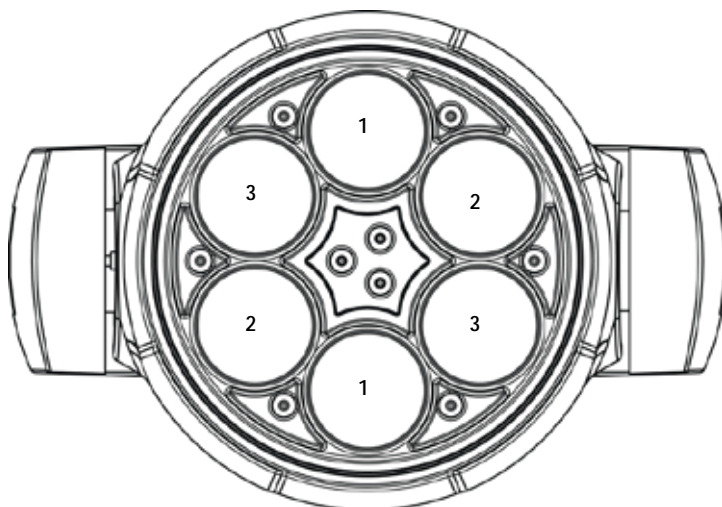
DMX Linking De Intimidator Trio kan werken met een DMX besturing wanneer het is verbonden door DMX seriële verbindingen. Instructies voor het aansluiten en configureren van dit product voor DMX werking staan in de gebruikershandleiding. Als u niet bekend bent met DMX, download dan de DMX Primer van www.chauvetlighting.com.

Startadres Om volledige toegang tot alle kanalen in elke DMX-modus te garanderen is het hoogste aanbevolen DMX-adres voor dit product **483**.

Master/Slave Verbinding De Intimidator Trio maakt gebruik van de DMX-dataverbinding voor haar Master-/Slave-modus. Instructies voor het aansluiten en configureren van dit product voor master/slave werking staan in de gebruikershandleiding.

DMX Waarden

30-CH	Kanaal	Functie	Waarde	Percentage/Instelling
	1	Pan	000 ó 255	0 tot 540°
	2	Subtiële Pan	000 ó 255	Subtiële bediening voor pan
	3	Tilt:	000 ó 255	0 tot 270°
	4	Subtiële Tilt	000 ó 255	Subtiële bediening voor tilt
	5	Snelheid	000 ó 255	Pan/Tilt snelheid (langzaam naar snel)
	6	Rood	000 ó 255	0 naar 100%
	7	Groen	000 ó 255	0 naar 100%
	8	Blauw	000 ó 255	0 naar 100%
	9	Wit	000 ó 255	0 naar 100%
	10	Rood	000 ó 255	0 naar 100%
	11	Groen	000 ó 255	0 naar 100%
	12	Blauw	000 ó 255	0 naar 100%
	13	Wit	000 ó 255	0 naar 100%
	14	Rood	000 ó 255	0 naar 100%
	15	Groen	000 ó 255	0 naar 100%
	16	Blauw	000 ó 255	0 naar 100%
	17	Wit	000 ó 255	0 naar 100%
	18	Geen functie	000 ó 255	Geen functie (Voorinstelling)
	19	Geen functie	000 ó 255	Geen functie (Voorinstelling)
	20	Geen functie	000 ó 255	Geen functie (Voorinstelling)
	21	Geen functie	000 ó 255	Geen functie (Voorinstelling)

Intimidator Trio
Bedieningszones

30-CH
 (vervolg)

Kanaal	Functie	Waarde	Percentage/Instelling
22	Kleuren	000 ○ 004	Geen functie
		005 ○ 009	Kleur 1
		010 ○ 014	Kleur 2
		015 ○ 019	Kleur 3
		020 ○ 024	Kleur 4
		025 ○ 029	Kleur 5
		030 ○ 034	Kleur 6
		035 ○ 039	Kleur 7
		040 ○ 044	Kleur 8
		045 ○ 049	Kleur 9
		050 ○ 054	Kleur 10
		055 ○ 059	Kleur 11
		060 ○ 064	Kleur 12
		065 ○ 069	Kleur 13
		070 ○ 074	Kleur 14
		075 ○ 079	Kleur 15
		080 ○ 084	Kleur 16
		085 ○ 089	Kleur 17
		090 ○ 094	Kleur 18
		095 ○ 099	Kleur 19
		100 ○ 104	Kleur 20
		105 ○ 109	Kleur 21
		110 ○ 114	Kleur 22
		115 ○ 119	Kleur 23
		120 ○ 124	Kleur 24
		125 ○ 129	Kleur 25
		130 ○ 134	Kleur 26
		135 ○ 139	Kleur 27
		140 ○ 144	Kleur 28
		145 ○ 149	Kleur 29
		150 ○ 154	Kleur 30
		155 ○ 159	Kleur 31
		160 ○ 164	Kleur 32
		165 ○ 169	Kleur 33
170 ○ 174	Kleur 34		
175 ○ 179	Geen functie		
180 ○ 201	Kleurverandering met de klok mee (snel naar langzaam)		
202 ○ 207	Stop (kleur blijft de huidige kleur)		
208 ○ 229	Kleurverandering tegen de klok in (snel naar langzaam)		
230 ○ 234	Geen functie		
235 ○ 249	Kleurverspringing (snel naar langzaam)		
250 ○ 255	Sound-Active kleuren		

30-CH
 (vervolg)

Kanaal	Functie	Waarde	Percentage/Instelling
23	Ingebouwde bediening	000 ó 015	Geen functie
		016 ó 031	Zone macro 1
		032 ó 047	Zone macro 2
		048 ó 063	Zone macro 3
		064 ó 079	Zone macro 4
		080 ó 095	Zone macro 5
		096 ó 111	Zone macro 6
		112 ó 127	Ingebouwde 7 (zone macro's 1—6))
		128 ó 143	Ingebouwde Auto 1
		144 ó 159	Ingebouwde Auto 2
		160 ó 175	Ingebouwde Auto 3
		176 ó 191	Ingebouwde Auto 4
		192 ó 207	Ingebouwde Auto 5
		208 ó 223	Ingebouwde Auto 6
		224 ó 239	Ingebouwde Auto 7
240 ó 255	Ingebouwd 8 (Ingebouwde auto 1—7)		
24	Ingebouwde Snelheid	000 ó 255	Zone macro's en ingebouwde auto snelheid (langzaam naar snel)
25	Dimmer	000 ó 255	0 naar 100%
26	Sluiter	000 ó 019	Dicht
		020 ó 024	Open
		025 ó 064	Stroboscoop effect (afnemende snelheid)
		065 ó 069	Open
		070 ó 084	Snel aan, langzaam uit (afnemende snelheid)
		085 ó 089	Open
		090 ó 104	Langzaam aan, snel uit (afnemende snelheid)
		105 ó 109	Open
		110 ó 124	Willekeurige shutter (afnemende snelheid)
		125 ó 129	Open
		130 ó 144	Willekeurig snel aan, langzaam uit (afnemende snelheid)
		145 ó 149	Open
		150 ó 164	Willekeurig langzaam aan, snel uit (afnemende snelheid)
		165 ó 169	Open
		170 ó 184	Pulse effect 1 (afnemende snelheid)
		185 ó 189	Open
		190 ó 204	Pulse effect 2 (afnemende snelheid)
		205 ó 209	Open
210 ó 224	Geleidelijk aan en uit (afnemende snelheid)		
225 ó 229	Open		
230 ó 244	Pulse effect 3 (afnemende snelheid)		
245 ó 255	Open		
27	Zoom	000 ó 255	Zoom in en uit

30-CH
 (vervolg)

Kanaal	Functie	Waarde	Percentage/Instelling
28	Besturingsfuncties	000 ○ 009	Geen functie
		010 ○ 014	Blackout tijdens pan/tilt
		015 ○ 019	Geen functie
		020 ○ 049	Gereserveerd voor toekomstig gebruik
		050 ○ 054	Herstart pan
		055 ○ 059	Herstart tilt
		060 ○ 064	Reset zoom
		065 ○ 069	Reset rotatie
		070 ○ 074	Reset alles
		075 ○ 079	Geen functie
		080 ○ 084	Omgedraaide pan/tilt
		085 ○ 089	Omgedraaide pan
		090 ○ 094	Omgedraaide tilt
		095 ○ 099	Annuleer de omgedraaide pan
		100 ○ 104	Annuleer de omgedraaide tilt
		105 ○ 109	Annuleer de omgedraaide pan/tilt
		110 ○ 114	Pan/Tilt normale snelheid
		115 ○ 119	Pan/Tilt snelle snelheid
		120 ○ 124	Pan/Tilt langzame snelheid
		125 ○ 129	Ventilator (volledige snelheid)
130 ○ 134	Ventilator (automatisch)		
135 ○ 139	Dimmer, snel		
140 ○ 144	Dimmer, vloeiend		
145 ○ 255	Geen functie		
29	Bewegingsmacro's	000 ○ 007	Geen functie
		008 ○ 023	Automatische bewegingsmacro 1
		024 ○ 039	Automatische bewegingsmacro 2
		040 ○ 055	Automatische bewegingsmacro 3
		056 ○ 071	Automatische bewegingsmacro 4
		072 ○ 087	Automatische bewegingsmacro 5
		088 ○ 103	Automatische bewegingsmacro 6
		104 ○ 119	Automatische bewegingsmacro 7
		120 ○ 135	Automatische bewegingsmacro 8
		136 ○ 151	Sound-Active bewegingsmacro 1
		152 ○ 167	Sound-Active bewegingsmacro 2
		168 ○ 183	Sound-Active bewegingsmacro 3
		184 ○ 199	Sound-Active bewegingsmacro 4
		200 ○ 215	Sound-Active bewegingsmacro 5
		216 ○ 231	Sound-Active bewegingsmacro 6
		232 ○ 247	Sound-Active bewegingsmacro 7
248 ○ 255	Sound-Active bewegingsmacro 8		
30	Rotatie	000 ○ 063	Opvolgende Rotatie
		064 ○ 095	Rotatie Kleine Schudding (Langzaam naar Snel)
		096 ○ 127	Rotatie Grote Schudding (Langzaam naar Snel)
		128 ○ 191	Rotatie (langzaam naar snel)
		192 ○ 255	Omgekeerde rotatie (langzaam naar snel)

 Als Ch-27 (Zoom)
 waarde boven
 150 is

15-CH

Kanaal	Functie	Waarde	Percentage/Instelling
1	Pan	000 ó 255	0 tot 540°
2	Tilt:	000 ó 255	0 tot 270°
3	Snelheid	000 ó 255	Pan/Tilt (langzaam naar snel)
4	Rood	000 ó 255	0 naar 100%
5	Groen	000 ó 255	0 naar 100%
6	Blauw	000 ó 255	0 naar 100%
7	Wit	000 ó 255	0 naar 100%
8	Ingebouwde bediening	000 ó 015	Geen functie
		016 ó 031	Zone macro 1
		032 ó 047	Zone macro 2
		048 ó 063	Zone macro 3
		064 ó 079	Zone macro 4
		080 ó 095	Zone macro 5
		096 ó 111	Zone macro 6
		112 ó 127	Ingebouwde 7 (zone macro's 1—6))
		128 ó 143	Ingebouwde Auto 1
		144 ó 159	Ingebouwde Auto 2
		160 ó 175	Ingebouwde Auto 3
		176 ó 191	Ingebouwde Auto 4
		192 ó 207	Ingebouwde Auto 5
208 ó 223	Ingebouwde Auto 6		
224 ó 239	Ingebouwde Auto 7		
240 ó 255	Ingebouwd 8 (Ingebouwde auto 1—7)		
9	Ingebouwde Snelheid	000 ó 255	Zonesen ingebouwde auto snelheid (langzaam naar snel)
10	Dimmer	000 ó 255	0 naar 100%

15-CH
 (vervolg)

Kanaal	Functie	Waarde	Percentage/Instelling
11	Sluiter	000 ó 019	Dicht
		020 ó 024	Open
		025 ó 064	Stroboscoop effect (afnemende snelheid)
		065 ó 069	Open
		070 ó 084	Snel aan, langzaam uit (afnemende snelheid)
		085 ó 089	Open
		090 ó 104	Langzaam aan, snel uit (afnemende snelheid)
		105 ó 109	Open
		110 ó 124	Willekeurige shutter (afnemende snelheid)
		125 ó 129	Open
		130 ó 144	Willekeurig snel aan, langzaam uit (afnemende snelheid)
		145 ó 149	Open
		150 ó 164	Willekeurig langzaam aan, snel uit (afnemende snelheid)
		165 ó 169	Open
		170 ó 184	Pulse effect 1 (afnemende snelheid)
		185 ó 189	Open
		190 ó 204	Pulse effect 2 (afnemende snelheid)
205 ó 209	Open		
210 ó 224	Geleidelijk aan en uit (afnemende snelheid)		
225 ó 229	Open		
230 ó 244	Pulse effect 3 (afnemende snelheid)		
245 ó 255	Open		
12	Zoom	000 ó 255	Zoom in en uit

15-CH
 (vervolg)

Kanaal	Functie	Waarde	Percentage/Instelling
13	Besturingsfuncties	000 ó 009	Geen functie
		010 ó 014	Pan/Tilt blackout
		015 ó 019	Geen functie
		020 ó 049	Gereserveerd voor toekomstig gebruik
		050 ó 054	Herstart pan
		055 ó 059	Herstart tilt
		060 ó 064	Reset zoom
		065 ó 069	Geen functie
		070 ó 074	Reset alles
		075 ó 079	Geen functie
		080 ó 084	Omgedraaide Pan/Tilt
		085 ó 089	Omgedraaide pan
		090 ó 094	Draai tilt om
		095 ó 099	Annuleer de omgedraaide pan
		100 ó 104	Annuleer de omgedraaide tilt
		105 ó 109	Annuleer de omgedraaide pan/tilt
		110 ó 114	Pan/Tilt normale snelheid
		115 ó 119	Pan/Tilt snelle snelheid
		120 ó 124	Pan/Tilt langzame snelheid
		125 ó 129	Ventilator (volledige snelheid)
		130 ó 134	Ventilator (automatisch)
		135 ó 139	Dimmer, snel
		140 ó 144	Dimmer, vloeiend
145 ó 255	Geen functie		
14	Bewegingsmacro's	000 ó 007	Geen functie
		008 ó 023	Automatische bewegingsmacro 1
		024 ó 039	Automatische bewegingsmacro 2
		040 ó 055	Automatische bewegingsmacro 3
		056 ó 071	Automatische bewegingsmacro 4
		072 ó 087	Automatische bewegingsmacro 5
		088 ó 103	Automatische bewegingsmacro 6
		104 ó 119	Automatische bewegingsmacro 7
		120 ó 135	Automatische bewegingsmacro 8
		136 ó 151	Sound-Active bewegingsmacro 1
		152 ó 167	Sound-Active bewegingsmacro 2
		168 ó 183	Sound-Active bewegingsmacro 3
		184 ó 199	Sound-Active bewegingsmacro 4
		200 ó 215	Sound-Active bewegingsmacro 5
		216 ó 231	Sound-Active bewegingsmacro 6
		232 ó 247	Sound-Active bewegingsmacro 7
		248 ó 255	Sound-Active bewegingsmacro 8
15	Rotatie	000 ó 063	Opvolgende Rotatie
		064 ó 095	Rotatie Kleine Schudding (Langzaam naar Snel)
		096 ó 127	Rotatie Grote Schudding (Langzaam naar Snel)
		128 ó 191	Rotatie (langzaam naar snel)
		192 ó 255	Omgekeerde rotatie (langzaam naar snel)

 Als **Ch-27 (Zoom)**
 waarde boven
 150 is

Contact USA WORLD HEADQUARTERS**Us****General Information**

Address: 5200 NW 108th Avenue
 Sunrise, FL 33351
 Voice: (954) 577-4455
 Fax: (954) 929-5560
 Toll free:(800) 762-1084

Technical Support

Voice: (954) 577-4455 (Press 4)
 Fax: (954) 756-8015
 Email: tech@chauvetlighting.com

World Wide Web

www.chauvetlighting.com

EUROPE**General Information**

Address: Stokstraat 18
 9770 Kruishoutem
 Belgium
 Voice: +32 9 388 93 97

General Information

Address: Unit 1C
 Brookhill Road Industrial Estate
 Pinxton, Nottingham, UK
 NG16 6NT
 Voice: +44 (0)1773 511115
 Fax: +44 (0)1773 511110

Technical Support

Email: Eutech@chauvetlighting.eu

World Wide Web www.chauvetlighting.eu**Technical Support**

Email: uktech@chauvetlighting.com

World Wide Web

www.chauvetlighting.co.uk

MEXICO**General Information**

Address: Av. Santa Ana 30
 Parque Industrial Lerma
 Lerma, Mexico C.P. 52000
 Voice: +52 (728) 285-5000

Technical Support

Email: servicio@chauvet.com.mx

World Wide Web www.chauvet.com.mx

Outside the U.S., United Kingdom, Ireland, Mexico, or Benelux, contact the dealer of record. Follow their instructions to request support or to return a product. Visit our website for contact details.

Intimidator Trio QRG Rev. 3 ML6

© Copyright 2015 Chauvet

All rights reserved.

Printed in the P. R. C.

