

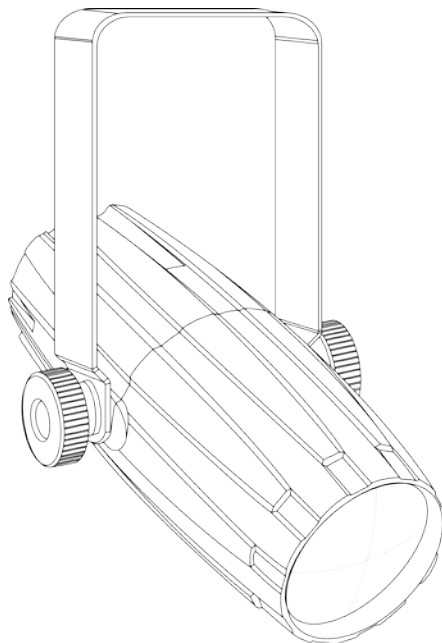
# LED Pinspot™ 2

It's  
**Green Thinking.**

## Snapshot

|                           |   |
|---------------------------|---|
| Use on Dimmer             | ⊘ |
| Outdoor Use               | ⊘ |
| Sound-Activated           | ⊘ |
| DMX                       | ⊘ |
| Master/Slave              | ⊘ |
| Auto-ranging Power Supply | ✓ |
| Replaceable Fuse          | ⊘ |
| User-Serviceable          | ⊘ |

## User Manual



5200 NW 108th Avenue, Sunrise, FL 33351 U.S.A.  
(800) 762-1084 – (954) 577-4455  
FAX (954) 929-5560  
[www.chauvetlighting.com](http://www.chauvetlighting.com)

# TABLE OF CONTENTS

|                                 |          |
|---------------------------------|----------|
| <b>1. BEFORE YOU BEGIN.....</b> | <b>3</b> |
| WHAT IS INCLUDED .....          | 3        |
| UNPACKING INSTRUCTIONS .....    | 3        |
| AC POWER .....                  | 3        |
| SAFETY INSTRUCTIONS.....        | 3        |
| <b>2. INTRODUCTION .....</b>    | <b>4</b> |
| FEATURES.....                   | 4        |
| PRODUCT OVERVIEW .....          | 4        |
| RUNNING TIME .....              | 4        |
| MOUNTING .....                  | 5        |
| <i>Orientation</i> .....        | 5        |
| <i>Rigging</i> .....            | 5        |
| LENS REPLACEMENT.....           | 5        |
| <b>3. APPENDIX .....</b>        | <b>6</b> |
| GENERAL MAINTENANCE .....       | 6        |
| RETURNS PROCEDURE.....          | 6        |
| CLAIMS.....                     | 6        |
| GENERAL TROUBLESHOOTING .....   | 6        |
| TECHNICAL SPECIFICATIONS .....  | 7        |
| CONTACT US.....                 | 7        |

CHAUVET®, 2013, All Rights Reserved  
Information and specifications in this User Manual are subject to change without notice. CHAUVET® assumes no responsibility or liability for any errors or inaccuracies that may appear in this manual.

# 1. BEFORE YOU BEGIN

## What is Included

- 1 x LED Pinspot™ 2
- 1 x Gel Pack
- 1 x Extra Lens
- 1 x Warranty Card
- 1 x User Manual

## Unpacking Instructions

Immediately upon receiving a fixture, carefully unpack the carton, check the contents to ensure that all parts are present, and have been received in good condition. Notify the shipper immediately and retain packing material for inspection if any parts appear damaged from shipping or the carton itself shows signs of mishandling. Save the carton and all packing materials. In the event that a fixture must be returned to the factory, it is important that the fixture be returned in the original factory box and packing.

## AC Power

This fixture has an auto-switching power supply that can accommodate a wide range of input voltages. The only thing necessary to do before powering on the unit is to make sure the line voltage you are applying is within the range of accepted voltages. This fixture will accommodate between 100 V and 240 VAC, 50/60 Hz. All fixtures must be powered directly off a switched circuit and cannot be run off a rheostat (variable resistor) or dimmer circuit, even if the rheostat or dimmer channel is used solely for a 0% to 100% switch.



**All fixtures must be connected to circuits with a suitable Earth Ground.**

## Safety Instructions



Please read these instructions carefully, which includes important information about the installation, usage and maintenance of this product.

- Please keep this User Manual for future consultation. If you sell the unit to another user, be sure that they also receive this instruction booklet.
- Always make sure that you are connecting to the proper voltage, and that the line voltage you are connecting to is not higher than that stated on the decal or rear panel of the fixture.
- This product is intended for indoor use only! To prevent risk of fire or shock, do not expose fixture to rain or moisture.
- Make sure there are no flammable materials close to the unit while operating.
- The unit must be installed in a location with adequate ventilation, at least 20 in (50 cm) from adjacent surfaces. Be sure that no ventilation slots are blocked.
- Secure fixture to fastening device using a safety chain.
- Maximum ambient temperature (Ta) is 104° F (40° C). Do not operate fixture at temperatures higher than this.
- In the event of a serious operating problem, stop using the unit immediately. Never try to repair the unit by yourself. Repairs carried out by unskilled people can lead to damage or malfunction. Please contact the nearest authorized technical assistance center.
- Never connect the device to a dimmer pack.
- Make sure the power cord is never crimped or damaged.
- Never disconnect the power cord by pulling or tugging on the cord.
- Avoid direct eye exposure to the light source while it is on.



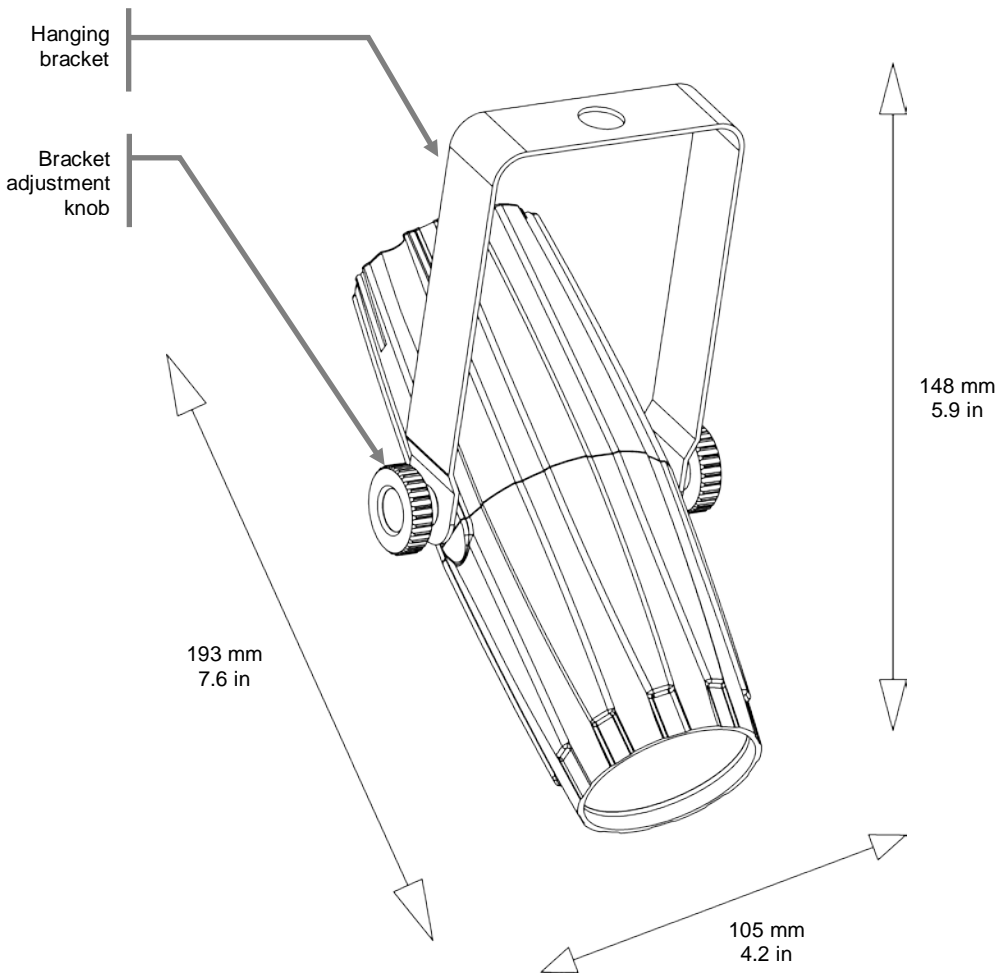
**There are no user-serviceable parts. Do not open the housing or attempt any repairs yourself. In the unlikely event your unit may require service, please contact CHAUVET® at: 954-929-1115.**

# 2. INTRODUCTION

## Features

- Extremely compact LED pinspot
- High-power, 3 W (700 mA) LED
- Includes multiple lenses to change beam angles

## Product Overview



## Running Time

This fixture is designed for short-term use. It is recommended that run times be limited to a maximum of 6 hours at a time.

## Mounting

### Orientation

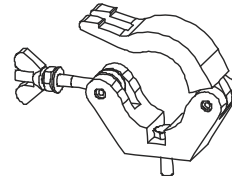
This fixture may be mounted in any safe position, provided there is adequate room for ventilation.

### Rigging

It is important never to obstruct the fan or vents pathway. Mount the fixture using a suitable "C" or "O" type clamp. Adjust the angle of the fixture by loosening both knobs and tilting the fixture. After finding the desired position, retighten both knobs.

- When selecting installation location, take into consideration lamp replacement access and routine maintenance.
- Safety cables must always be used.
- Never mount in places where the fixture will be exposed to rain, high humidity, extreme temperature changes or restricted ventilation.

*Hanging Clamp*



Note!  
Clamp is sold separately.

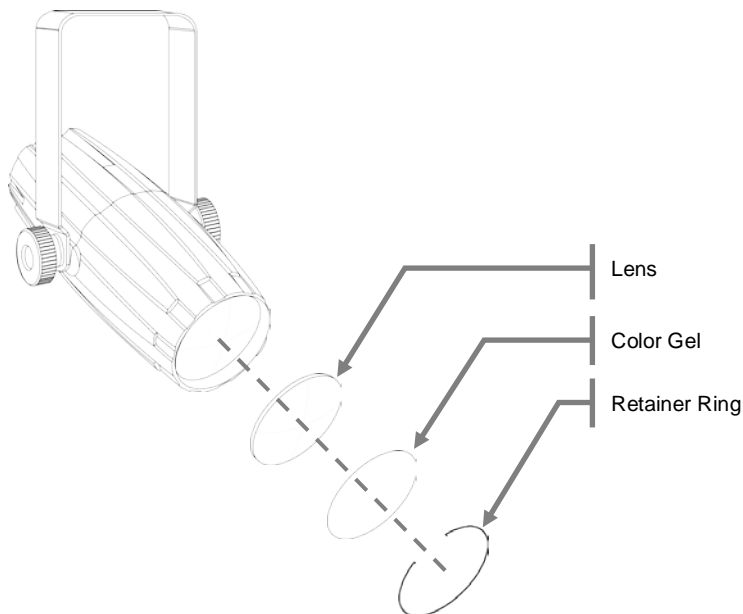
## Lens Replacement

This fixture comes with an optional lens that modifies the beam angle. Please see the instructions below for instructions on replacing the lens.

1. Remove the retainer ring.
2. Remove the lens (the lens will fall out without the retainer ring installed).
3. Insert the new lens. Use caution, as it may fall out until the retainer ring is installed in step #4!
4. If installing a color gel, place this between the retainer ring and the lens.
5. Install the retainer ring.
6. Assure that the installation is tight.



***If the lens is not installed properly, it may fall out. This may be a safety hazard if installed overhead.***



# 3. APPENDIX

## General Maintenance

To maintain optimum performance and minimize wear fixtures should be cleaned frequently. Usage and environment are contributing factors in determining frequency. As a general rule, fixtures should be cleaned at least twice a month. Dust build up reduces light output performance and can cause overheating. This can lead to reduced lamp life and increased mechanical wear. Be sure to power off fixture before conducting maintenance.

Unplug fixture from power. Use a vacuum or air compressor and a soft brush to remove dust collected on external vents and internal components. Clean all glass when the fixture is cold with a mild solution of glass cleaner or Isopropyl Alcohol and a soft lint free cotton cloth or lens tissue. Apply solution to the cloth or tissue and drag dirt and grime to the outside of the lens. Gently polish optical surfaces until they are free of haze and lint.

The cleaning of internal and external optical lenses and/or mirrors must be carried out periodically to optimize light output. Cleaning frequency depends on the environment in which the fixture operates: damp, smoky or particularly dirty surrounding can cause greater accumulation of dirt on the unit's optics. Clean with soft cloth using normal glass cleaning fluid. Always dry the parts carefully. Clean the external optics at least every 20 days. Clean the internal optics at least every 30/60 days.

## Returns Procedure

Returned merchandise must be sent prepaid and in the original packing, call tags will not be issued. Package must be clearly labeled with a Return Merchandise Authorization Number (RMA #). Products returned without an RMA # will be refused. Call CHAUVET® and request RMA # prior to shipping the fixture. Be prepared to provide the model number, serial number and a brief description of the cause for the return. Be sure to properly pack fixture, any shipping damage resulting from inadequate packaging is the customer's responsibility. CHAUVET® reserves the right to use its own discretion to repair or replace product(s). As a suggestion, proper UPS packing or double-boxing is always a safe method to use.

**Note:** If you are given an RMA #, please include the following information on a piece of paper inside the box:

- Your name
- Your address
- Your phone number
- RMA #
- A brief description of the symptoms

## Claims

Damage incurred in shipping is the responsibility of the shipper; therefore the damage must be reported to the carrier upon receipt of merchandise. It is the customer's responsibility to notify and submit claims with the shipper in the event that a fixture is damaged due to shipping. Any other claim for items such as missing component/part, damage not related to shipping, and concealed damage, must be made within seven (7) days of receiving merchandise.

## General Troubleshooting

| Symptom                    | Solution(s)  | Applies to |                |             |                  |
|----------------------------|--|------------|----------------|-------------|------------------|
|                            |  | Lights     | Foggers & Snow | Controllers | Dimmers & Chaser |
| Breaker/Fuse keeps blowing | Check total load placed on device  |            |                |             | Ü                |
| Device has no power        | Check for power on Mains.<br>Check device's fuse (internal and/or external). | Ü          |                | Ü           | Ü                |
| No light output            | Call service technician  | Ü          |                |             |                  |

If you still have a problem after trying these solutions, contact CHAUVET® Technical Support.

## Technical Specifications

### WEIGHT & DIMENSIONS

Length ..... 7.6 in (193 mm)  
Width ..... 4.2 in (105 mm)  
Height ..... 5.9 in (148 mm)  
Weight ..... 0.9 lbs (0.4 kg)

### POWER

Autoswitching Power Supply ..... 100~240 VAC, 50/60 Hz  
Power Consumption @ 120 V ..... 4 W, 0.1 A max, 0.1 A inrush

### LIGHT SOURCE

LED ..... 1x 700 mA (1 White 6,500 K) 50,000 hrs

### PHOTO OPTIC

Illuminance (with installed 6°) @ 2 m ..... 4,120 lux  
Illuminance (with included 9°) (extra lens) @ 2 m ..... 1,335 lux  
Beam Angle (installed) ..... 6°  
Beam Angle (included) ..... 9°

### THERMAL

Maximum ambient temperature ..... 104° F (40° C)

### ORDERING INFORMATION

LED Pinspot™ 2 ..... LEDPINSPOT2

### WARRANTY INFORMATION

Warranty ..... 1-year limited warranty

## Contact Us

### World Wide

#### General Information

CHAUVET®  
5200 NW 108th Avenue  
Sunrise, FL 33351  
voice: 954.577.4455  
fax: 954.929.5560  
toll free: 800.762.1084

#### Technical Support

CHAUVET®  
5200 NW 108th Avenue  
Sunrise, FL 33351  
voice: 954.577.4455 **(Press 4)**  
fax: 954.929.5560 **(Attention: Service)**

#### World Wide Web

[www.chauvetlighting.com](http://www.chauvetlighting.com)