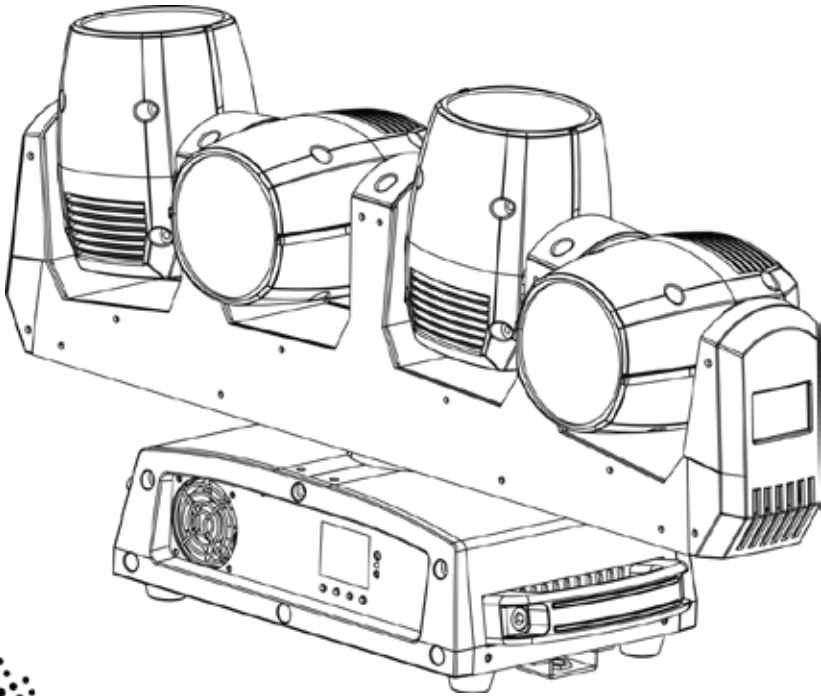


INTIMIDATOR

WAVE 360 IRC

Quick Reference Guide




CHAUVET

About This Guide The Intimidator Wave 360 IRC Quick Reference Guide (QRG) has basic product information such as mounting, menu options, and DMX values. For more information, download the User Manual from the Chauvet website: <http://www.chauvetlighting.com>.

Disclaimer The information and specifications contained in this QRG are subject to change without notice.

Safety Notes The following Safety Notes include important information about installation, use, and maintenance.



- Always connect the product to a grounded circuit.
- Make sure the power cord is not crimped or damaged.
- Always disconnect the product from the power source before cleaning it or replacing the fuse.
- Never disconnect the product from the power source by pulling or tugging on the cord.
- If mounting the product overhead, make sure there is adequate support for the product's weight and always secure the product using a safety cable.
- Make sure there are no flammable materials close to the product when it is operating.
- Avoid direct eye exposure to the light source while the product is on.
- Do not touch the product's housing when the product is operating because the housing can be very hot.



- The product is not intended for permanent installation.
- The product is for indoor use only. It is rated at IP20.
- Do not expose the product to rain or moisture.
- Always connect the product to a power source that is within the voltage range stated on the label or rear panel of the product.
- Never connect the product to a dimmer or rheostat.
- Make sure to replace the fuse with another of the same type and rating.
- Always install the product in a location with adequate ventilation.
- Always leave at least 20 in (50 cm) between the product and adjacent surfaces.
- Be sure that no ventilation slots on the product's housing are blocked.
- Do not operate the product at an ambient temperature higher than 104 °F (40 °C).
- Never carry the product by the power cord or any moving part.
- Always use the hanging/mounting bracket to lift the product.
- If there is a serious operating problem, stop using the product immediately.
- Never try to repair the product. Repairs carried out by untrained people can lead to damage or malfunction.
- To eliminate unnecessary wear and improve its lifespan, during periods of non-use completely disconnect the product from power via breaker or by unplugging it.

Contact

- From outside the U.S., UK, Ireland, Mexico, or Benelux, contact the distributor of record to request support or return a product.
- From inside the U.S., UK, Ireland, Mexico, or Benelux, use the information in [Contact Us](#) at the end of this QRG.

What Is Included

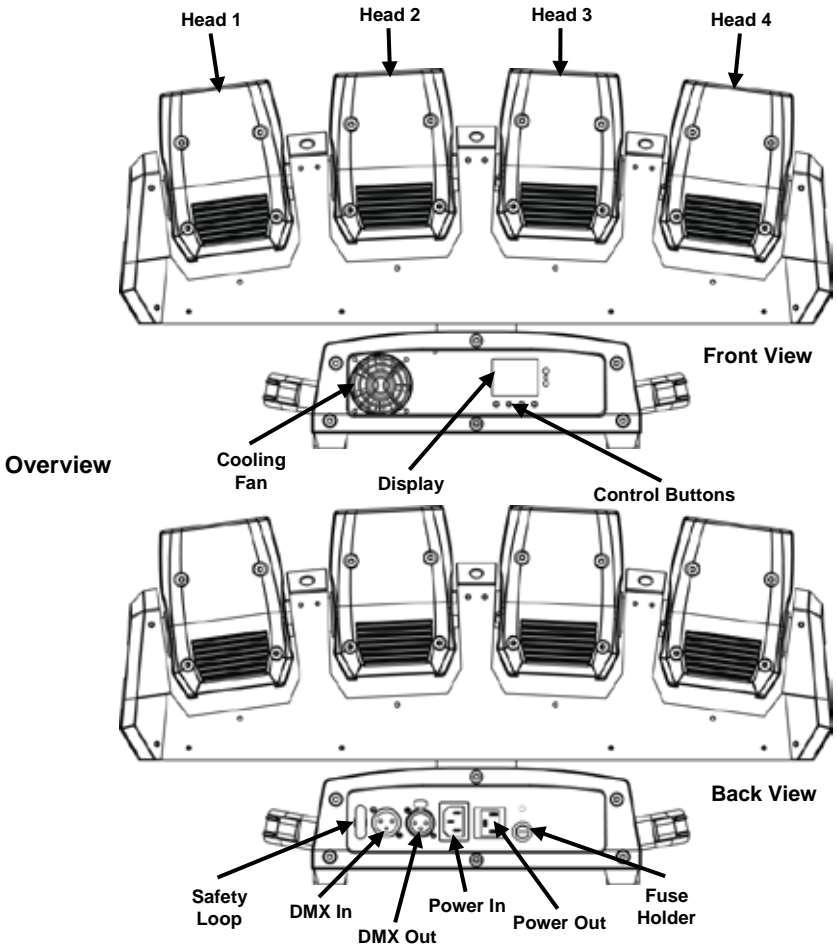
- Intimidator Wave 360 IRC
- Hanging bracket with mounting hardware
- Power Cord
- Warranty card
- Quick Reference Guide

To Begin Carefully unpack the Intimidator Wave 360 IRC and check that all the parts are in the package, and are in good condition.

If the box, or any of the contents, appear damaged from shipping, or show signs of mishandling, save all packaging and file a claim with the carrier immediately, do not notify Chauvet. Failure to report damage to the carrier immediately, or failure to have all packaging available for inspection, could invalidate your claim.

For other issues, such as missing components or parts, damage not related to shipping, or concealed damage, file a claim with Chauvet within 7 days of delivery. For information on contacting Chauvet, see [Contact Us](#) at the end of this QRG.

Description The Intimidator Wave 360 IRC is a moving light array with 4 independently controlled moving heads on a continuously rotating base emitting sharp, powerful, color-changeable beams. Master/Slave mode makes it easy to generate coordinated light shows. It operates in Standalone, Sound, and DMX modes. Works with the (optional) IRC-6 remote for convenient, wireless control up to 15 feet away.



AC Power Intimidator Wave 360 IRC has an auto-ranging power supply that can work with an input voltage range of 100–240 VAC, 50/60 Hz.



To eliminate wear and improve its lifespan, during periods of non-use completely disconnect from power via breaker or by unplugging it.

Power Linking Power linking is accomplished when products are daisy chained together through their Power In and Power Out sockets, so that many products can be powered from one outlet.

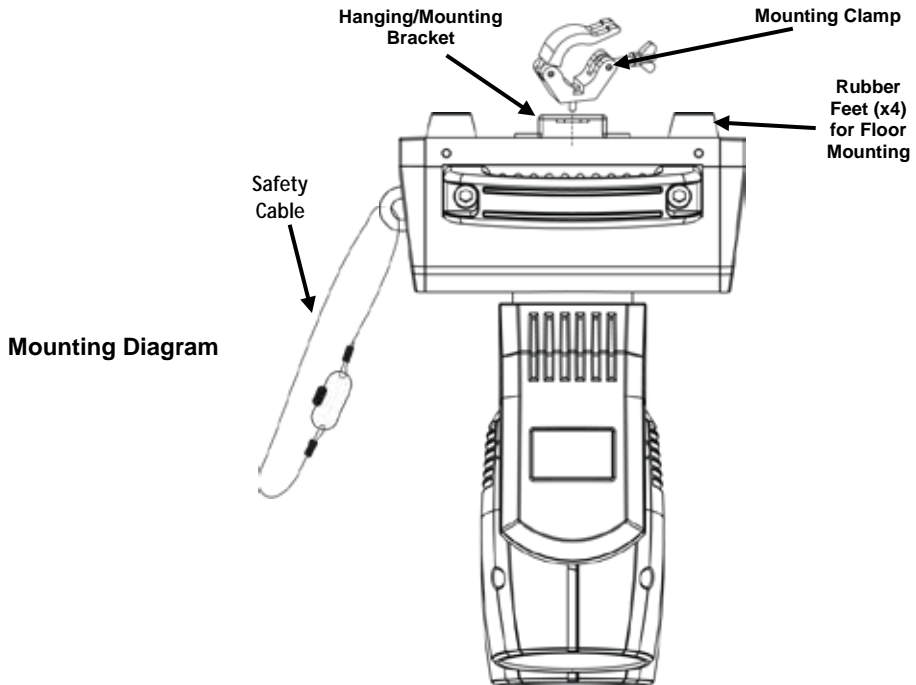
For the maximum number of Intimidator Wave 360 IRC products that can be power linked at 120 V or at 240 V, see the User Manual or the label on the product. The User Manual is available at the Chauvet website <http://www.chauvetlighting.com>.

- Fuse Replacement**
1. Disconnect the product from power.
 2. With a flat-head screwdriver, unscrew the fuse holder cap from the housing.
 3. Remove the blown fuse.
 4. Replace with a fuse of the same type and rating.
 5. Screw the fuse holder cap back in place and reconnect power.



Disconnect the product from power before replacing the fuse.

Mounting Before mounting this product, read the [Safety Notes](#). Use one or two mounting points and one safety cable per product. Make sure the mounting clamps are capable of supporting the weight of the product. For the Chauvet line of mounting clamps, go to the Chauvet website at <https://www.chauvetdj.com/products/category/accessories/>.





When using only one mounting clamp, be sure to use a clamp with a captive bolt to prevent accidental loosening.

Control Panel Description

Button	Function
<MENU>	Exits from the current menu or function
<UP>	Navigates upwards through the menu list or increases the numeric value when in a function
<DOWN>	Navigates downwards through the menu list or decreases the numeric value when in a function
<ENTER>	Enables the currently displayed menu or sets the currently selected value into the selected function

Menu Map

Main Level	Programming Levels		Description
Address	001–512		Sets DMX starting address
Run Mode	DMX	17CH	Sets DMX personality
		33CH	
	Auto	Auto01–Auto16	Sets an auto program
		Sound	
	Slave	S-1–S-4	Sets a Slave mode
		IR	Sets Infrared mode
Setup	Mast Set	M-1–M-4	Sets a Master mode of M-1, M-2 or M-4
	Pan Reverse	ON	Sets reverse pan operation
		OFF	
	Tilt Reverse	ON	Sets reverse tilt operation
		OFF	
	Pan Angle	540	Sets pan angle range
		360	
		180	
	Tilt Angle	90	Sets tilt angle range
		180	
		270	
	Display	ON	Sets display blackout
		OFF	
	Screen Reverse	ON	Sets screen orientation
		OFF	
	Dimmer Curve	Linear	Sets the dimmer curve mode
SCurve			
ISquare			
Square			
Dimmer Speed	Smooth	Sets the dimmer speed	
	Fast		
Sensitivity	1–100	Sets sound sensitivity	

	Reset	Resets all motor defaults
	Factory Reset	Resets to factory defaults
Main Level	Programming Levels	Description
System Info	Ver XX	Displays software version
	Running Mode XXXX	Displays current operating mode
	DMX Address XXX	Displays current DMX address

IRC-6 (Infrared Remote Control) The Intimidator Wave 360 IRC is compatible with the IRC-6 from Chauvet. The following IRC-6 buttons are used with the Intimidator Wave 360 IRC :

- <BLACKOUT>, <A>, <UV>, <W> - Turns LED on/off
- <AUTO>, <0> thru <9> - Selects Auto program mode (1-16)
- <SOUND> - Selects Sound mode
- <STROBE> - Strobing (0–20 Hz)
- <SPEED> - Auto program speed
- <SENSITIVITY> - Sets sound sensitivity
- <%> - Dimmer
- <FADE> - Press once for Fade level, twice for Snap level
- <+> and <-> - increase and decrease
- <MANUAL> - Sets white color level
- <R> - Sets red color level
- <G> - Sets green color level
- - Sets blue color level

DMX Linking The Intimidator Wave 360 IRC works with a DMX controller. Information about configuring the Intimidator Wave 360 IRC for DMX operation is in the User Manual, which is available from the Chauvet website <http://www.chauvetlighting.com>. Information about DMX is in the Chauvet DMX Primer, which is available from the Chauvet website <https://www.chauvetdj.com/downloads/>.

Starting Address To ensure full access to all channels in each DMX mode, the highest recommended DMX address for this product is **480**.

Master/Slave Connection The Intimidator Wave 360 IRC works in Master/Slave mode. Information about configuring this product for Master/Slave operation is in its User Manual, which is available from the Chauvet website.

DMX Assignments

33CH	Channel	Function	Value	Percent/Setting
	1	Pan	000 ∘ 255	Pan 0–540°
	2	Pan 16-bit	000 ∘ 255	Pan 16-bit
	3	Pan Speed	000 ∘ 255	Pan Speed (decreasing speed)
	4	Continuous Pan Rotating	000	No function
			001 ∘ 127	Continous pan rotating with increasing speed
			128 ∘ 255	Continous pan rotating with decreasing speed
	5	Head 1 Tilt	000 ∘ 255	0–270°
	6	Head 2 Tilt	000 ∘ 255	0–270°

DMX Assignments (Cont.)

33CH	Channel	Function	Value	Percent/Setting
	7	Head 3 Tilt	000ó 255	0–270°
	8	Head 4 Tilt	000ó 255	0–270°
	9	Built-In Auto Tilt	000ó 047	No function
			048ó 055	Built-In Auto 1
			056ó 063	Built-In Auto 2
			064ó 071	Built-In Auto 3
			072ó 079	Built-In Auto 4
			080ó 087	Built-In Auto 5
			088ó 095	Built-In Auto 6
			096ó 103	Built-In Auto 7
			104ó 111	Built-In Auto 8
			112ó 119	Built-In Auto 9
			120ó 127	Built-In Auto 10
			128ó 135	Built-In Auto 11
			136ó 143	Built-In Auto 12
			144ó 151	Built-In Auto 13
			152ó 159	Built-In Auto 14
			160ó 167	Built-In Auto 15
			168ó 175	Built-In Auto 16
			176ó 183	Built-In Auto 17
			184ó 191	Built-In Auto 18
			192ó 199	Built-In Auto 19
	200ó 207	Built-In Auto 20		
	208ó 215	Built-In Auto 21		
	216ó 223	Built-In Auto 22		
	224ó 231	Built-In Auto 23		
	232ó 239	Built-In Auto 24		
	240ó 247	Built-In Auto 25 (Built-In Auto 1–24)		
	248ó 255	Built-In Sound Control mode		
	10	Tilt Built-in Speed	000ó 255	Fast to slow

DMX Assignments (Cont.)

33CH	Channel	Function	Value	Percent/Setting
	11	Head 1 Red Dimmer	000ó 255	0–100%
	12	Head 1 Green Dimmer	000ó 255	0–100%
	13	Head 1 Blue Dimmer	000ó 255	0–100%
	14	Head 1 White Dimmer	000ó 055	0–100%
	15	Head 2 Red Dimmer	000ó 255	0–100%
	16	Head 2 Green Dimmer	000ó 255	0–100%
	17	Head 2 Blue Dimmer	000ó 255	0–100%
	18	Head 2 White Dimmer	000ó 255	0–100%
	19	Head 3 Red Dimmer	000ó 255	0–100%
	20	Head 3 Green Dimmer	000ó 255	0–100%
	21	Head 3 Blue Dimmer	000ó 255	0–100%
	22	Head 3 White Dimmer	000ó 255	0–100%
	23	Head 4 Red Dimmer	000ó 255	0–100%
	24	Head 4 Green Dimmer	000ó 255	0–100%
	25	Head 4 Blue Dimmer	000ó 255	0–100%
	26	Head 4 White Dimmer	000ó 255	0–100%

DMX Assignments (Cont.)

33CH	Channel	Function	Value	Percent/Setting
			000 007	No function
			008 015	Color 1
			016 023	Color 2
			024 031	Color 3
			032 039	Color 4
			040 047	Color 5
			048 055	Color 6
			056 063	Color 7
			064 071	Color 8
			072 079	Color 9
			080 087	Color 10
			088 095	Color 11
27		Colors	096 103	Color 12
			104 111	Color 13
			112 119	Color 14
			120 127	Color 15
			128 179	No Function
			180 201	Fade rainbow clockwise (speed fast to slow)
			202 207	Stop
			208 229	Fade rainbow counter-clockwise (speed fast to slow)
			230 234	No function
			235 249	Snap change (speed fast to slow)
			250 255	Sound color

DMX Assignments (Cont.)

33CH	Channel	Function	Value	Percent/Setting
			000◊ 007	●●●●
			008◊ 015	○●●●
			016◊ 023	○○●●
			024◊ 031	○○○●
			032◊ 039	○○○○
			040◊ 047	●○○○
			048◊ 055	●●○○
			056◊ 063	●●●○
			064◊ 071	●●●●
			072◊ 079	○○○○
			080◊ 087	●○○○
			088◊ 095	○●○○
			096◊ 103	○○●○
			104◊ 111	○○○●
			112◊ 119	○○○○
28		Heads On/Off	120◊ 127	●●○○
			128◊ 135	○●●○
			136◊ 143	○○●●
			144◊ 151	●○○●
			152◊ 159	○○○○
			160◊ 167	○●●●
			168◊ 175	●○●●
			176◊ 183	●●○●
			184◊ 191	●●●○
			192◊ 199	○○○○
			200◊ 207	●●●●
			208◊ 215	●●●●
			216◊ 223	●●●●
			224◊ 231	●●●●
			232◊ 239	●●●●
			240◊ 247	●●●●
			248◊ 255	●●●●

DMX Assignments (Cont.)

33CH	Channel	Function	Value	Percent/Setting
			000 015	No function
			016 020	Program 1
			021 025	Program 2
			026 030	Program 3
			031 035	Program 4
			036 040	Program 5
			041 045	Program 6
			046 050	Program 7
			051 055	Program 8
			056 060	Program 9
			061 065	Program 10
			066 070	Program 11
			071 075	Program 12
			076 080	Program 13
			081 085	Program 14
			086 090	Program 15
			091 095	Program 16
			096 100	Program 17
29		Auto Programs	101 105	Program 18
			106 110	Program 19
			111 115	Program 20
			116 120	Program 21
			121 125	Program 22
			126 130	Program 23
			131 135	Program 24 (built-in for all)
			136 140	Program 25
			141 145	Program 26
			146 150	Program 27
			151 155	Program 28
			156 160	Program 29
			161 165	Program 30
			166 170	Program 31
			171 175	Program 32
			176 180	Program 33
			181 185	Program 34
			186 190	Program 35
			191 195	Program 36

DMX Assignments (Cont.)

33CH	Channel	Function	Value	Percent/Setting
29		Auto Programs (Cont.)	196 ∘ 200	Program 37
			201 ∘ 205	Program 38
			206 ∘ 210	Program 39
			211 ∘ 215	Program 40
			216 ∘ 220	Program 41
			221 ∘ 225	Program 42
			226 ∘ 230	Program 43
			231 ∘ 235	Program 44
			236 ∘ 240	Program 45
			241 ∘ 245	Program 46
			246 ∘ 250	Program 47
			251 ∘ 255	Program 48 (built-in for all)
			30	
31		Dimmer All Heads	000 ∘ 255	0–100%
32		Shutter Programs	000 ∘ 019	Off
			020 ∘ 024	On
			025 ∘ 064	Shutter 1 even on/even off (fast to slow)
			065 ∘ 069	On
			070 ∘ 084	Shutter 2 fast on/slow off (fast to slow)
			085 ∘ 089	On
			090 ∘ 104	Shutter 3 slow on/fast off (fast to slow)
			105 ∘ 109	On
			110 ∘ 124	Shutter 4 random shutter (fast to slow)
			125 ∘ 129	On
			130 ∘ 144	Shutter 5 random shutter fast on/slow off (fast to slow)
			145 ∘ 149	On
			150 ∘ 164	Shutter 6 random shutter slow on/fast off (fast to slow)
			165 ∘ 169	On
			170 ∘ 184	Shutter 7 pulse shutter (fast to slow)
			185 ∘ 189	On
			190 ∘ 204	Shutter 8 random pulse shutter (fast to slow)
			205 ∘ 209	On
			210 ∘ 224	Shutter 9 on and off gradually (fast to slow)
			225 ∘ 229	On
230 ∘ 244	Shutter 10 pulse shutter (fast to slow)			
245 ∘ 255	On			

DMX Assignments (Cont.)

33CH	Channel	Function	Value	Percent/Setting
			000 009	No function
			010 014	Move-in-black
			015 019	Cancel move-in-black
			020 024	Independent macros – cancels macro product combinations below
			025 029	Macros used when linking 2 heads: This is the value for first head
			030 034	Macros used when linking 2 heads together: This is the value for second head
			035 039	Macros used when linking 4 heads together: This is the value for first head
			040 044	Macros used when linking 4 heads together: This is the value for second head
			045 049	Macros used when linking 4 heads together: This is the value for third head
			050 054	Macros used when linking 4 heads together: This is the value for fourth head
		Settings (Set these values before setting other DMX channels. There is a 10 sec delay before the settings take effect)	055 059	Pan reset
			060 064	Tilt reset
			065 069	Reserved for future use
			070 074	Reset all
			075 079	Reserved for future use
			080 084	Pan/ tilt reverse
			085 089	Pan reverse
			090 094	Tilt Reverse
			095 099	Cancel reverse pan
			100 104	Cancel reverse tilt
			105 109	Cancel reverse pan/tilt
			110 114	Reserved for future use
			115 119	Controls all heads with head 1 channels
			120 124	Cancels control of all heads with head 1 channels
			125 129	Reserved for future use
			130 134	Reserved for future use
			135 139	Reserved for future use
			140 144	Reserved for future use
			145 255	No function

DMX Assignments (Cont.)

17CH	Channel	Function	Value	Percent/Setting
	1	Pan	000 0 255	Pan 0–540°
	2	Pan 16-bit	000 0 255	Pan 16-bit
	3	Pan Speed	000 0 255	Pan speed (decreasing speed)
	4	Continuous Pan Rotating	000	No function
			001 0 127	Continous pan rotating with increasing speed
			128 0 255	Continous pan rotating with decreasing speed
	5	Head 1 Tilt	000 0 255	0–270°
	6	Head 2 Tilt	000 0 255	0–270°
	7	Head 3 Tilt	000 0 255	0–270°
	8	Head 4 Tilt	000 0 255	0–270°
	9	Built-In Auto Tilt	000 0 047	No function
			048 0 055	Built-In Auto 1
			056 0 063	Built-In Auto 2
			064 0 071	Built-In Auto 3
			072 0 079	Built-In Auto 4
			080 0 087	Built-In Auto 5
			088 0 095	Built-In Auto 6
			096 0 103	Built-In Auto 7
			104 0 111	Built-In Auto 8
			112 0 119	Built-In Auto 9
			120 0 127	Built-In Auto 10
			128 0 135	Built-In Auto 11
			136 0 143	Built-In Auto 12
			144 0 151	Built-In Auto 13
			152 0 159	Built-In Auto 14
			160 0 167	Built-In Auto 15
			168 0 175	Built-In Auto 16
			176 0 183	Built-In Auto 17
			184 0 191	Built-In Auto 18
			192 0 199	Built-In Auto 19
	200 0 207	Built-In Auto 20		

DMX Assignments (Cont.)

17CH (cont.)	Channel	Function	Value	Percent/Setting
9 (cont.)	9	Built-In Auto Tilt (cont.)	208ó 215	Built-In Auto 21
			216ó 223	Built-In Auto 22
			224ó 231	Built-In Auto 23
			232ó 239	Built-In Auto 24
			240ó 247	Built-In Auto 25 (Built-In Auto 1-24)
			248ó 255	Built-In Sound Control Mode
10	10	Tilt Built-in Speed	000ó 255	Fast to slow
11	11	Colors	000ó 007	No function
			008ó 015	Color 1
			016ó 023	Color 2
			024ó 031	Color 3
			032ó 039	Color 4
			040ó 047	Color 5
			048ó 055	Color 6
			056ó 063	Color 7
			064ó 071	Color 8
			072ó 079	Color 9
			080ó 087	Color 10
			088ó 095	Color 11
			096ó 103	Color 12
			104ó 111	Color 13
			112ó 119	Color 14
			120ó 127	Color 15
			128ó 179	No function
			180ó 201	Fade rainbow clockwise (speed fast to slow)
			202ó 207	Stop
			208ó 229	Fade rainbow counter-clockwise (speed fast to slow)
230ó 234	No function			
235ó 249	Snap change (speed fast to slow)			
250ó 255	Sound color			

DMX Assignments (Cont.)

17CH	Channel	Function	Value	Percent/Setting
			000◊ 007	●●●●
			008◊ 015	○●●●
			016◊ 023	○○●●
			024◊ 031	○○○●
			032◊ 039	○○○○
			040◊ 047	●○○○
			048◊ 055	●●○○
			056◊ 063	●●●○
			064◊ 071	●●●●
			072◊ 079	○○○○
			080◊ 087	●○○○
			088◊ 095	○●○○
			096◊ 103	○○●○
			104◊ 111	○○○●
			112◊ 119	○○○○
12		Heads On/Off	120◊ 127	●●○○
			128◊ 135	○●●○
			136◊ 143	○○●●
			144◊ 151	●○○●
			152◊ 159	○○○○
			160◊ 167	○●●●
			168◊ 175	●○●●
			176◊ 183	●●○●
			184◊ 191	●●●○
			192◊ 199	○○○○
			200◊ 207	●●●●
			208◊ 215	●●●●
			216◊ 223	●●●●
			224◊ 231	●●●●
			232◊ 239	●●●●
			240◊ 247	●●●●
			248◊ 255	●●●●

DMX Assignments (Cont.)

17CH	Channel	Function	Value	Percent/Setting
			000 015	No function
			016 020	Program 1
			021 025	Program 2
			026 030	Program 3
			031 035	Program 4
			036 040	Program 5
			041 045	Program 6
			046 050	Program 7
			051 055	Program 8
			056 060	Program 9
			061 065	Program 10
			066 070	Program 11
			071 075	Program 12
			076 080	Program 13
			081 085	Program 14
			086 090	Program 15
13		Auto Programs	091 095	Program 16
			096 100	Program 17
			101 105	Program 18
			106 110	Program 19
			111 115	Program 20
			116 120	Program 21
			121 125	Program 22
			126 130	Program 23
			131 135	Program 24 (built-in for all)
			136 140	Program 25
			141 145	Program 26
			146 150	Program 27
			151 155	Program 28
			156 160	Program 29
			161 165	Program 30
			166 170	Program 31
			171 175	Program 32

DMX Assignments (Cont.)

17CH	Channel	Function	Value	Percent/Setting
			176↻ 180	Program 33
			181↻ 185	Program 34
			186↻ 190	Program 35
			191↻ 195	Program 36
			196↻ 200	Program 37
			201↻ 205	Program 38
			206↻ 210	Program 39
			211↻ 215	Program 40
			216↻ 220	Program 41
			221↻ 225	Program 42
			226↻ 230	Program 43
			231↻ 235	Program 44
			236↻ 240	Program 45
			241↻ 245	Program 46
			246↻ 250	Program 47
			251↻ 255	Program 48 (built-in for all)
	13 (cont.)	Auto Programs (Cont.)		
	14	Program Speed	000↻ 255	Slow to fast
	15	Dimmer All Heads	000↻ 255	0–100%

DMX Assignments (Cont.)

17CH	Channel	Function	Value	Percent/Setting
			000 019	Off
			020 024	On
			025 064	Shutter 1 even on/even off (fast to slow)
			065 069	On
			070 084	Shutter 2 fast on/slow off (fast to slow)
			085 089	On
			090 104	Shutter 3 slow on/fast off (fast to slow)
			105 109	On
			110 124	Shutter 4 random shutter (fast to slow)
			125 129	On
			130 144	Shutter 5 random shutter fast on/slow off (fast to slow)
16		Shutter Programs	145 149	On
			150 164	Shutter 6 random shutter slow on/fast off (fast to slow)
			165 169	On
			170 184	Shutter 7 pulse shutter (fast to slow)
			185 189	On
			190 204	Shutter 8 random pulse shutter (fast to slow)
			205 209	On
			210 224	Shutter 9 on and off gradually (fast to slow)
			225 229	On
			230 244	Shutter 10 pulse shutter (fast to slow)
			245 255	On

DMX Assignments (Cont.)

17CH	Channel	Function	Value	Percent/Setting
			000 009	No function
			010 014	Move-in-black
			015 019	Cancel move-in-black
			020 024	Independent macros – cancels macro product combinations below
			025 029	Macros used when linking 2 heads: This is the value for first head
			030 034	Macros used when linking 2 heads together: This is the value for second head
			035 039	Macros used when linking 4 heads together: This is the value for first head
			040 044	Macros used when linking 4 heads together: This is the value for second head
			045 049	Macros used when linking 4 heads together: This is the value for third head
			050 054	Macros used when linking 4 heads together: This is the value for fourth head
		Settings (Set these values before setting other DMX channels. There is a 10 sec delay before the settings take effect)	055 059	Pan reset
			060 064	Tilt reset
			065 069	Reserved for future use
			070 074	Reset all
			075 079	Reserved for future use
			080 084	Pan/ tilt reverse
			085 089	Pan reverse
			090 094	Tilt reverse
			095 099	Cancel reverse pan
			100 104	Cancel reverse tilt
			105 109	Cancel reverse pan/tilt
			110 114	Reserved for future use
			115 119	Controls all heads with head 1 channels
			120 124	Cancels control of all heads with head 1 channels
			125 129	Reserved for future use
			130 134	Reserved for future use
			135 139	Reserved for future use
			140 144	Reserved for future use
			145 255	No function

Acerca de esta Guía La Guía de Referencia Rápida (GRR) del Intimidator Wave 360 IRC contiene información básica sobre el producto, como montaje, opciones de menú y asignaciones DMX. Para más información, descargue el manual de usuario del sitio web de Chauvet <http://www.chauvetlighting.com>

Exención de Responsabilidad La información y especificaciones contenidas en esta GRR están sujetas a cambio sin anteriores en aviso.

Notas de Seguridad Las siguientes notas de seguridad se incluye su pareja información importante sobre la estuque, uso y mantenimiento.



- Conecte siempre el producto a un circuito con toma de tierra.
- Asegúrese de que el cable de alimentación no está retorcido ni estropeado.
- Desconecte siempre el producto de la fuente de alimentación antes de limpiarlo o cambiar el fusible.
- Nunca desconecte el producto de la fuente de alimentación o agarrando tirando del cable.
- Si monta el producto en altura, asegúrese de que el soporte es adecuado para el peso del producto y asegure siempre el producto con un cable de seguridad.
- Asegúrese de que no hay materiales inflamables cerca del producto cuando esté en forma paralela.
- No resbale ni la exposición directa de los ojos de la fuente de luz es producto mientras esté encendido.
- No toque la carcasa del producto cuando el producto esté en forma paralela, porque la carcasa puede estar muy caliente.



- El producto no está concebido para una estuque permanente.
- El producto es para uso en interiores solamente. Está clasificado como protección IP20.
- No hay utopía films el producto una lluvia o comisión otorgó.
- Conecte siempre el producto a una fuente de alimentación que esté en el rango de tensión especificado en la etiqueta del panel posterior del producto.
- Nunca conecte el producto a un atenuador o reostato.
- Asegúrese de sustituir el fusible con otro del mismo tipo y categoría.
- Instale siempre el producto en un lugar con ventilación adecuada.
- Le dijeron: al menos 50 cm (20 pulgadas) entre el producto y superficies adyacentes.
- Asegúrese de que no queda bloqueada ninguna ranura de ventilación en la carcasa del producto.
- No haga funcionar el producto a una temperatura ambiente superior a 104 °F (40 °C).
- Nunca mueva el producto agarrándolo por el cable de alimentación o por cualquier parte móvil.
- Utilice siempre la abrazadera de montaje o las asas de transporte para levantar el producto.
- Si hay un problema grave de subsecretarios, le dijeron: de usar el producto inmediatamente.
- Nunca intente reparar el producto. Las reparaciones llevadas a cabo por personal no cualificado pueden provocar averías o subsecretarios defectuoso.
- Para evitar un desgaste innecesario y alargar su vida útil, desconecte completamente el producto de la alimentación, mediante el interruptor o desenchufándolo, durante los periodos en los que no se use.

Contacto • Desde fuera de EE.UU., Reino Unido, Irlanda, México o Bénélux póngase en

contacto con su marketa" al oficial para asistencia o devolver el producto.

- Desde dentro de EE.UU., Reino Unido, Irlanda, México o Bénélux, utilice la información de al [Contact Us](#) final de esta GRR.

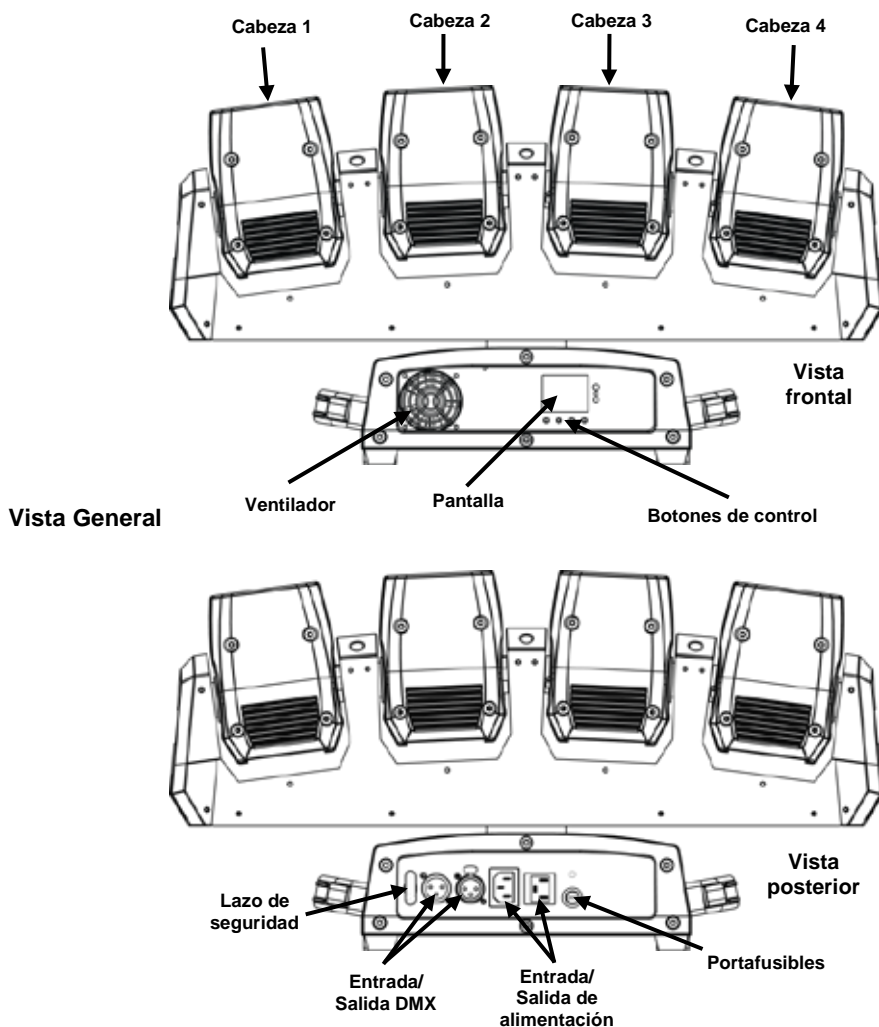
Qué va	· Intimidator Wave 360 IRC	· Cable de alimentación
Incluido	· Soporte para colgar con material de montaje	· Tarjeta de garantía · Guía de referencia rápida

Para Empezar Desembale el Intimidator Wave 360 IRC Con cuidado y compruebe que todas las piezas están en el paquete y en buen estado.

Si la caja o mundo lite de los contenidos parecen dañados a causa del transporte, o muestran signos de manipulación inadecuada, guarde todo el paquete y manera enunciativa más no limitativa una reclamación con el transportista inmediatamente; no lo notifique a Chauvet. Si no informa al transportista del amenazadora o no dispone inmediatamente todo el paquete para inspección podría quedar anulada la reclamación.

Para otras incidencias, como componentes o piezas que falten, daños no relacionados con el transporte o daños no evidentes, presente una reclamación ante una Chauvet En el plaza de 7 días desde la entrega. Para información sobre cómo contactar con Chauvet, Vea la sección [Contact Us](#) al final de esta GRR.

Descripción El Intimidator Wave 360 IRC es una matriz de cabezas móviles con 4 cabezas móviles controladas de forma independiente sobre una base de rotación continua, que emiten haces nítidos y potentes, cuyo color se puede cambiar. El modo Maestro/Esclavo facilita la creación de shows de luces coordinados. Funciona en los modos Independiente, Sonido y DMX. Funciona con el mando a distancia IRC-6 (opcional) para un cómodo control sin cables a una distancia de hasta 15 pies.



Corriente Alterna El Intimidator Wave 360 IRC Tiene una fuente de alimentación con instalar un automática (auto-rango) que preside con un rango de tensión de 100 a 240 VCA, 50/60 Hz.



Para evitar un desgaste innecesario y alargar su vida útil, desconecte completamente el producto de la alimentación, mediante el interruptor o desenchufándolo, durante los periodos en los que no se use.

Alimentación en cadena Alimentación en cadena es cuando los productos se conectan en cascada por las tomas de entrada y salida de alimentación, con lo que muchos productos se pueden alimentar con un solo enchufe.

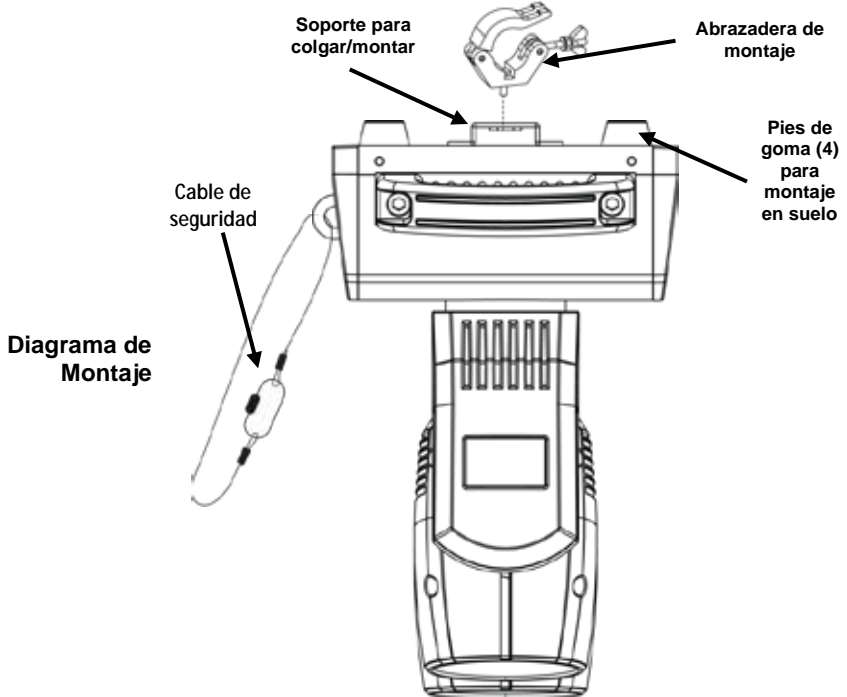
Para ver el máximo número de productos Intimidator Wave 360 IRC que se pueden alimentar en cadena a 120 V o a 240 V, consulte el Manual de usuario o la etiqueta del producto. El Manual de usuario está disponible en el sitio web de Chauvet <http://www.chauvetlighting.com>.

- Sustitución del Fusible**
1. Desconecte el producto de la alimentación.
 2. Con un destornillador de punta plana desenroscar la caja portafusibles.
 3. Quite el fusible fundido.
 4. Sustitúyalo con un fusible del mismo tipo y categoría.
 5. Vuelva a atornillar la tapa del portafusibles en su sitio y conecte de nuevo la alimentación.



Desconecte el producto de la alimentación antes de sustituir el fusible.

Montaje Antes de montar el producto, lea las [Notas de seguridad](#) de esta GRR. Utilice al menos dos puntos de montaje y un cable de seguridad por producto. Asegúrese de que las abrazaderas de montaje son capaces de soportar el peso del producto. Para la línea Chauvet de abrazaderas de montaje, visite www.chauvetlighting.com/cables-clamps-main.html.



Cuando use una abrazadera de montaje, asegúrese de usar una abrazadera con tornillo prisionero para evitar que se afloje accidentalmente.

Descripción del Panel de Control

Botón	Función
<MENU>	Pasa cíclicamente por las funciones principales de menú o sale de un submenú
<UP>	Navega hacia arriba por la lista de menú o aumenta el valor numérico cuando está en una función
<DOWN>	Navega hacia abajo por la lista de menú o disminuye el valor numérico cuando está en una función
<ENTER>	Entra en un menú o establece el valor que se muestra actualmente

Mapa de menú

Nivel principal	Niveles de programación		Descripción
Address	001-512		Configura la dirección inicial DMX
Run Mode	DMX	17CH	Configura la personalidad DMX
		33CH	
	Auto	Auto01-Auto16	Configura un programa automático
	Sound		Configura el modo sonido
	Slave	S-1-S-4	Configura el modo Esclavo
	IR		Configura el modo Infrarrojos
Setup	Mast Set	M-1-M-4	Configura el modo Maestro de M-1, M-2 o M-4
	Pan Reverse	ON	Configura el funcionamiento con desplazamiento lateral invertido
		OFF	
	Tilt Reverse	ON	Configura el funcionamiento con inclinación invertida
		OFF	
	Pan Angle	540	Configura el ángulo del desplazamiento lateral
		360	
		180	
	Tilt Angle	90	Configura el rango del ángulo de inclinación
		180	
		270	
	Display	ON	Configura el apagado de la pantalla
		OFF	
	Screen Reverse	ON	Configura la orientación de la pantalla
		OFF	
Dimmer Curve	Linear	Configura el modo de curva del atenuador	
	SCurve		
	ISquare		
	Square		
Dimmer Speed	Smooth	Selecciona la velocidad del atenuador	
	Fast		
Sensitivity	1-100	Configura la sensibilidad al sonido	

Mapa de menu (cont.)

Nivel principal	Niveles de programación	Descripción
Setup	Reset	Configura todos los valores predeterminados del motor
	Factory Reset	Reinicia a la configuración de fábrica
System Info	Ver XX	Muestra en pantalla la versión de software
	Running Mode XXXXX	Muestra en pantalla el modo de funcionamiento actual
	DMX Address XXX	Muestra la dirección DMX actual

IRC-6 (Control Remoto por Infrarrojos) El Intimidator Wave 360 IRC es compatible con el IRC-6 de Chauvet.

Los siguientes botones del IRC-6 se usan con el Intimidator Wave 360 IRC:

- <BLACKOUT>, <A>, <UV>, <W>: apaga/enciende el LED
- <AUTO>, <0> a <9>: selecciona el modo de programa Automático (1-16)
- <SOUND>: selecciona el modo Sonido
- <STROBE>: estroboscopio (0–20 Hz)
- <SPEED>: velocidad del programa Automático
- <SENSITIVITY>: configura la sensibilidad al sonido
- <%>: atenuador
- <FADE>: pulse una vez para el nivel de fade; dos veces para el nivel de cambio
- <+> y <->: aumentar y disminuir
- <MANUAL>: configura el nivel de color blanco
- <R>: configura el nivel de color rojo
- <G>: configura el nivel de color verde
- : configura el nivel de color azul

Enlace DMX El Intimidator Wave 360 IRC funciona con un controlador DMX. La información para configurar el Intimidator Wave 360 IRC para funcionamiento DMX está en el Manual de usuario, disponible desde el sitio web de Chauvet: <http://www.chauvetlighting.com/product-manuals-literature/>. La información sobre DMX se encuentra en el Manual DMX de Chauvet, disponible desde el sitio web de Chauvet http://www.chauvetlighting.com/downloads/DMX_Primer_rev05_WO.pdf.

Dirección de Inicio Para asegurarse el acceso total a todos los canales en cada modo DMX, la dirección DMX más alta recomendable para este producto es **480**.

Conexión Maestro/Esclavo El Intimidator Wave 360 IRC funciona en modo Maestro/Esclavo. La información para configurar este producto para funcionamiento Maestro/Esclavo está en el Manual de usuario, disponible desde el sitio web de Chauvet.

Asignaciones DMX

33CH	Canal	Función	Valor	Porcentaje/Configuración
	1	Lateral	000 ó 255	Desplazamiento lateral 0–540°
	2	Lateral 16-bits	000 ó 255	Desplazamiento lateral 16 bits
	3	Velocidad lateral	000 ó 255	Velocidad del desplazamiento lateral (velocidad decreciente)
	4	Rotación lateral continua	000	Sin función
			001 ó 127	Rotación lateral continua con velocidad creciente
			128 ó 255	Rotación lateral continua con velocidad decreciente
	5	Inclinación cabeza 1	000 ó 255	0–270°
	6	Inclinación cabeza 2	000 ó 255	0–270°
	7	Inclinación cabeza 3	000 ó 255	0–270°
	8	Inclinación cabeza 4	000 ó 255	0–270°
	9	Inclinación automática integrada	000 ó 047	Sin función
			048 ó 055	Auto integrado 1
			056 ó 063	Auto integrado 2
			064 ó 071	Auto integrado 3
			072 ó 079	Auto integrado 4
			080 ó 087	Auto integrado 5
			088 ó 095	Auto integrado 6
			096 ó 103	Auto integrado 7
			104 ó 111	Auto integrado 8
			112 ó 119	Auto integrado 9
			120 ó 127	Auto integrado 10
			128 ó 135	Auto integrado 11
			136 ó 143	Auto integrado 12
			144 ó 151	Auto integrado 13
			152 ó 159	Auto integrado 14
			160 ó 167	Auto integrado 15
			168 ó 175	Auto integrado 16
			176 ó 183	Auto integrado 17
			184 ó 191	Auto integrado 18
			192 ó 199	Auto integrado 19
			200 ó 207	Auto integrado 20
			208 ó 215	Auto integrado 21
			216 ó 223	Auto integrado 22
			224 ó 231	Auto integrado 23
			232 ó 239	Auto integrado 24
	240 ó 247	Auto integrado 25 (Auto integrado 1–24)		
	248 ó 255	Modo de control de sonido integrado		

Asignaciones DMX (Cont.)

33CH	Canal	Función	Valor	Porcentaje/Configuración
	10	Velocidad inclinación integrada	000 ó 255	Lento a rápido
	11	Atenuador rojo cabeza 1	000 ó 255	0–100%
	12	Atenuador verde cabeza 1	000 ó 255	0–100%
	13	Atenuador azul cabeza 1	000 ó 255	0–100%
	14	Atenuador blanco cabeza 1	000 ó 055	0–100%
	15	Atenuador rojo cabeza 2	000 ó 255	0–100%
	16	Atenuador verde cabeza 2	000 ó 255	0–100%
	17	Atenuador azul cabeza 2	000 ó 255	0–100%
	18	Atenuador blanco cabeza 2	000 ó 255	0–100%
	19	Atenuador rojo cabeza 3	000 ó 255	0–100%
	20	Atenuador verde cabeza 3	000 ó 255	0–100%
	21	Atenuador azul cabeza 3	000 ó 255	0–100%
	22	Atenuador blanco cabeza 3	000 ó 255	0–100%
	23	Atenuador rojo cabeza 4	000 ó 255	0–100%
	24	Atenuador verde cabeza 4	000 ó 255	0–100%
	25	Atenuador azul cabeza 4	000 ó 255	0–100%
	26	Atenuador blanco cabeza 4	000 ó 255	0–100%

Asignaciones DMX (Cont.)

33CH	Canal	Función	Valor	Porcentaje/Configuración
27	Colores		000 ó 007	Sin función
			008 ó 015	Color 1
			016 ó 023	Color 2
			024 ó 031	Color 3
			032 ó 039	Color 4
			040 ó 047	Color 5
			048 ó 055	Color 6
			056 ó 063	Color 7
			064 ó 071	Color 8
			072 ó 079	Color 9
			080 ó 087	Color 10
			088 ó 095	Color 11
			096 ó 103	Color 12
			104 ó 111	Color 13
			112 ó 119	Color 14
			120 ó 127	Color 15
			128 ó 179	Sin función
			180 ó 201	Transición arco iris en sentido dextrógiro (velocidad rápida a lenta)
			202 ó 207	Parada
			208 ó 229	Transición arco iris en sentido levógiro (velocidad rápida a lenta)
	230 ó 234	Sin función		
	235 ó 249	Cambio de ajuste (rápido a lento)		
	250 ó 255	Color Sonido		

Asignaciones DMX (Cont.)

33CH	Canal	Función	Valor	Porcentaje/Configuración
			000 ó 007	●●●●
			008 ó 015	○●●●
			016 ó 023	○○●●
			024 ó 031	○○○●
			032 ó 039	○○○○
			040 ó 047	●○○○
			048 ó 055	●●○○
			056 ó 063	●●●○
			064 ó 071	●●●●
			072 ó 079	○○○○
			080 ó 087	●○○○
			088 ó 095	○●○○
			096 ó 103	○○●○
			104 ó 111	○○○●
			112 ó 119	○○○○
			120 ó 127	●●○○
28		Cabezas Encendidas/Apagadas	128 ó 135	○●●○
			136 ó 143	○○●●
			144 ó 151	●○○●
			152 ó 159	○○○○
			160 ó 167	○●●●
			168 ó 175	●○○●
			176 ó 183	●●○○
			184 ó 191	●●●○
			192 ó 199	○○○○
			200 ó 207	●●●●
			208 ó 215	●●●●
			216 ó 223	●●●●
			224 ó 231	●●●●
			232 ó 239	●●●●
			240 ó 247	●●●●
			248 ó 255	●●●●

Asignaciones DMX (Cont.)

33CH	Canal	Función	Valor	Porcentaje/Configuración
			000 ó 015	Sin función
			016 ó 020	Programa 1
			021 ó 025	Programa 2
			026 ó 030	Programa 3
			031 ó 035	Programa 4
			036 ó 040	Programa 5
			041 ó 045	Programa 6
			046 ó 050	Programa 7
			051 ó 055	Programa 8
			056 ó 060	Programa 9
			061 ó 065	Programa 10
			066 ó 070	Programa 11
			071 ó 075	Programa 12
			076 ó 080	Programa 13
			081 ó 085	Programa 14
			086 ó 090	Programa 15
			091 ó 095	Programa 16
			096 ó 100	Programa 17
29		Programas automáticos	101 ó 105	Programa 18
	106 ó 110		Programa 19	
	111 ó 115		Programa 20	
	116 ó 120		Programa 21	
	121 ó 125		Programa 22	
	126 ó 130		Programa 23	
	131 ó 135		Programa 24 (integrado para todo)	
	136 ó 140		Programa 25	
	141 ó 145		Programa 26	
	146 ó 150		Programa 27	
	151 ó 155		Programa 28	
	156 ó 160		Programa 29	
	161 ó 165		Programa 30	
	166 ó 170		Programa 31	
	171 ó 175		Programa 32	
	176 ó 180		Programa 33	
	181 ó 185		Programa 34	
	186 ó 190		Programa 35	
	191 ó 195		Programa 36	

Asignaciones DMX (Cont.)

33CH	Canal	Función	Valor	Porcentaje/Configuración
29		Programas automáticos (cont.)	196 ó 200	Programa 37
			201 ó 205	Programa 38
			206 ó 210	Programa 39
			211 ó 215	Programa 40
			216 ó 220	Programa 41
			221 ó 225	Programa 42
			226 ó 230	Programa 43
			231 ó 235	Programa 44
			236 ó 240	Programa 45
			241 ó 245	Programa 46
			246 ó 250	Programa 47
			251 ó 255	Programa 48 (integrado para todo)
30		Velocidad de programa	000 ó 255	Lento a rápido
31		Atenuador todas las cabezas	000 ó 255	0–100%

Asignaciones DMX (Cont.)

33CH	Canal	Función	Valor	Porcentaje/Configuración
			000 ó 019	Apagado
			020 ó 024	Encendido
			025 ó 064	Obturador 1 encendido uniforme /apagado uniforme (rápido a lento)
			065 ó 069	Encendido
			070 ó 084	Obturador 2 encendido rápido/apagado rápido (rápido a lento)
			085 ó 089	Encendido
			090 ó 104	Obturador 3 encendido lento/apagado lento (rápido a lento)
			105 ó 109	Encendido
			110 ó 124	Obturador 4 obturador aleatorio (rápido a lento)
			125 ó 129	Encendido
			130 ó 144	Obturador 5 obturador aleatorio encendido rápido/apagado lento (rápido a lento)
32		Obturador Programas	145 ó 149	Encendido
			150 ó 164	Obturador 6 obturador aleatorio encendido lento/apagado rápido (rápido a lento)
			165 ó 169	Encendido
			170 ó 184	Obturador 7 obturador pulsos (rápido a lento)
			185 ó 189	Encendido
			190 ó 204	Obturador 8 obturador pulsos aleatorios (rápido a lento)
			205 ó 209	Encendido
			210 ó 224	Obturador 9 encendido y apagado gradualmente (rápido a lento)
			225 ó 229	Encendido
			230 ó 244	Obturador 10 obturador pulsos (rápido a lento)
			245 ó 255	Encendido

33CH	Canal	Función	Valor	Porcentaje/Configuración
			000 ó 009	Sin función
			010 ó 014	Move-in-black
			015 ó 019	Cancelar move-in-black
			020 ó 024	Macros independientes: anula las combinaciones de producto en macro siguientes
			025 ó 029	Macros utilizadas cuando se enlazan 2 cabezas: Este es el valor para la primera cabeza
			030 ó 034	Macros utilizadas cuando se enlazan 2 cabezas: Este es el valor para la segunda cabeza
			035 ó 039	Macros utilizadas cuando se enlazan 4 cabezas: Este es el valor para la primera cabeza
			040 ó 044	Macros utilizadas cuando se enlazan 4 cabezas: Este es el valor para la segunda cabeza
			045 ó 049	Macros utilizadas cuando se enlazan 4 cabezas: Este es el valor para la tercera cabeza
			050 ó 054	Macros utilizadas cuando se enlazan 4 cabezas: Este es el valor para la cuarta cabeza
33		Configuración (Configure estos valores antes de configurar otros canales DMX. Hay un retardo de 10 segundos antes de que los ajustes tengan efecto)	055 ó 059	Reiniciar desplazamiento lateral
	060 ó 064		Reiniciar inclinación	
	065 ó 069		Reservado para usos futuros	
	070 ó 074		Reiniciar todo	
	075 ó 079		Reservado para usos futuros	
	080 ó 084		Invertir desplazamiento lateral/inclinación	
	085 ó 089		Invertir desplazamiento lateral	
	090 ó 094		Invertir inclinación	
	095 ó 099		Cancelar invertir desplazamiento lateral	
	100 ó 104		Cancelar invertir inclinación	
	105 ó 109		Cancelar invertir movimiento lateral/inclinación	
	110 ó 114		Reservado para usos futuros	
	115 ó 119		Controla todas las cabezas con los canales de la cabeza 1	
	120 ó 124		Cancela el control de todas las cabezas con los canales de la cabeza 1	
	125 ó 129		Reservado para usos futuros	
	130 ó 134		Reservado para usos futuros	
	135 ó 139		Reservado para usos futuros	
	140 ó 144		Reservado para usos futuros	
	145 ó 255		Sin función	

Asignaciones DMX (Cont.)

17CH	Canal	Función	Valor	Porcentaje/Configuración
	1	Lateral	000 ó 255	Desplazamiento lateral 0–540°
	2	Lateral 16-bits	000 ó 255	Desplazamiento lateral 16 bits
	3	Velocidad lateral	000 ó 255	Velocidad del desplazamiento lateral (velocidad decreciente)
	4	Rotación lateral continua	000	Sin función
			001 ó 127	Rotación lateral continua con velocidad creciente
			128 ó 255	Rotación lateral continua con velocidad decreciente
	5	Inclinación cabeza 1	000 ó 255	0–270°
	6	Inclinación cabeza 2	000 ó 255	0–270°
	7	Inclinación cabeza 3	000 ó 255	0–270°
	8	Inclinación cabeza 4	000 ó 255	0–270°
	9	Inclinación automática integrada	000 ó 047	Sin función
			048 ó 055	Auto integrado 1
			056 ó 063	Auto integrado 2
			064 ó 071	Auto integrado 3
			072 ó 079	Auto integrado 4
			080 ó 087	Auto integrado 5
			088 ó 095	Auto integrado 6
			096 ó 103	Auto integrado 7
			104 ó 111	Auto integrado 8
			112 ó 119	Auto integrado 9
			120 ó 127	Auto integrado 10
			128 ó 135	Auto integrado 11
			136 ó 143	Auto integrado 12
			144 ó 151	Auto integrado 13
			152 ó 159	Auto integrado 14
			160 ó 167	Auto integrado 15
			168 ó 175	Auto integrado 16
			176 ó 183	Auto integrado 17
			184 ó 191	Auto integrado 18
			192 ó 199	Auto integrado 19
	200 ó 207	Auto integrado 20		

Asignaciones DMX (Cont.)

17CH (cont.)	Canal	Función	Valor	Porcentaje/Configuración
9 (cont.)	9	Inclinación automática integrada (cont.)	208 ó 215	Auto integrado 21
			216 ó 223	Auto integrado 22
			224 ó 231	Auto integrado 23
			232 ó 239	Auto integrado 24
			240 ó 247	Auto integrado 25 (Auto integrado 1-24)
			248 ó 255	Modo de control de sonido integrado
10	10	Velocidad inclinación integrada	000 ó 255	Lento a rápido
11	11	Colores	000 ó 007	Sin función
			008 ó 015	Color 1
			016 ó 023	Color 2
			024 ó 031	Color 3
			032 ó 039	Color 4
			040 ó 047	Color 5
			048 ó 055	Color 6
			056 ó 063	Color 7
			064 ó 071	Color 8
			072 ó 079	Color 9
			080 ó 087	Color 10
			088 ó 095	Color 11
			096 ó 103	Color 12
			104 ó 111	Color 13
			112 ó 119	Color 14
			120 ó 127	Color 15
			128 ó 179	Sin función
			180 ó 201	Transición arco iris en sentido dextrógiro (velocidad rápida a lenta)
			202 ó 207	Parada
			208 ó 229	Transición arco iris en sentido levógiro (velocidad rápida a lenta)
230 ó 234	Sin función			
235 ó 249	Cambio de ajuste (rápido a lento)			
250 ó 255	Color Sonido			

Asignaciones DMX (Cont.)

17CH	Canal	Función	Valor	Porcentaje/Configuración
			000 ó 007	●●●●
			008 ó 015	○●●●
			016 ó 023	○○●●
			024 ó 031	○○○●
			032 ó 039	○○○○
			040 ó 047	●○○○
			048 ó 055	●●○○
			056 ó 063	●●●○
			064 ó 071	●●●●
			072 ó 079	○○○○
			080 ó 087	●○○○
			088 ó 095	○●○○
			096 ó 103	○○○●
			104 ó 111	○○○●
			112 ó 119	○○○○
12		Cabezas Encendidas/Apagadas	120 ó 127	●●○○
			128 ó 135	○●●○
			136 ó 143	○○●●
			144 ó 151	●○○●
			152 ó 159	○○○○
			160 ó 167	○●●●
			168 ó 175	●○○●
			176 ó 183	●●○●
			184 ó 191	●●●○
			192 ó 199	○○○○
			200 ó 207	●●●●
			208 ó 215	●●●●
			216 ó 223	●●●●
			224 ó 231	●●●●
			232 ó 239	●●●●
			240 ó 247	●●●●
			248 ó 255	●●●●

Asignaciones DMX (Cont.)

17CH	Canal	Función	Valor	Porcentaje/Configuración
			000 ó 015	Sin función
			016 ó 020	Programa 1
			021 ó 025	Programa 2
			026 ó 030	Programa 3
			031 ó 035	Programa 4
			036 ó 040	Programa 5
			041 ó 045	Programa 6
			046 ó 050	Programa 7
			051 ó 055	Programa 8
			056 ó 060	Programa 9
			061 ó 065	Programa 10
			066 ó 070	Programa 11
			071 ó 075	Programa 12
			076 ó 080	Programa 13
			081 ó 085	Programa 14
			086 ó 090	Programa 15
			091 ó 095	Programa 16
			096 ó 100	Programa 17
			101 ó 105	Programa 18
13		Programas automáticos	106 ó 110	Programa 19
			111 ó 115	Programa 20
			116 ó 120	Programa 21
			121 ó 125	Programa 22
			126 ó 130	Programa 23
			131 ó 135	Programa 24 (integrado para todo)
			136 ó 140	Programa 25
			141 ó 145	Programa 26
			146 ó 150	Programa 27
			151 ó 155	Programa 28
			156 ó 160	Programa 29
			161 ó 165	Programa 30
			166 ó 170	Programa 31
			171 ó 175	Programa 32
			176 ó 180	Programa 33
			181 ó 185	Programa 34
			186 ó 190	Programa 35
			191 ó 195	Programa 36
			196 ó 200	Programa 37
			201 ó 205	Programa 38

Asignaciones DMX (Cont.)

Canal	Función	Valor	Porcentaje/Configuración
13 (cont.)	Programas automáticos (cont.)	206 ó 210	Programa 39
		211 ó 215	Programa 40
		216 ó 220	Programa 41
		221 ó 225	Programa 42
		226 ó 230	Programa 43
		231 ó 235	Programa 44
		236 ó 240	Programa 45
		241 ó 245	Programa 46
		246 ó 250	Programa 47
		251 ó 255	Programa 48 (integrado para todo)
14	Velocidad de programa	000 ó 255	Lento a rápido
15	Atenuador todas las cabezas	000 ó 255	0–100%
16	Obturador Programas	000 ó 019	Apagado
		020 ó 024	Encendido
		025 ó 064	Obturador 1 encendido uniforme /apagado uniforme (rápido a lento)
		065 ó 069	Encendido
		070 ó 084	Obturador 2 encendido rápido/apagado rápido (rápido a lento)
		085 ó 089	Encendido
		090 ó 104	Obturador 3 encendido lento/apagado lento (rápido a lento)
		105 ó 109	Encendido
		110 ó 124	Obturador 4 obturador aleatorio (rápido a lento)
		125 ó 129	Encendido
		130 ó 144	Obturador 5 obturador aleatorio encendido rápido/apagado lento (rápido a lento)
		145 ó 149	Encendido
		150 ó 164	Obturador 6 obturador aleatorio encendido lento/apagado rápido (rápido a lento)
		165 ó 169	Encendido
		170 ó 184	Obturador 7 obturador pulsos (rápido a lento)
		185 ó 189	Encendido
		190 ó 204	Obturador 8 obturador pulsos aleatorios (rápido a lento)
		205 ó 209	Encendido
		210 ó 224	Obturador 9 encendido y apagado gradualmente (rápido a lento)
		225 ó 229	Encendido
230 ó 244	Obturador 10 obturador pulsos (rápido a lento)		
245 ó 255	Encendido		

Asignaciones DMX (Cont.)

17CH	Canal	Función	Valor	Porcentaje/Configuración
			000 ó 009	Sin función
			010 ó 014	Move-in-black
			015 ó 019	Cancelar move-in-black
			020 ó 024	Macros independientes: anula las combinaciones de producto en macro siguientes
			025 ó 029	Macros utilizadas cuando se enlazan 2 cabezas: Este es el valor para la primera cabeza
			030 ó 034	Macros utilizadas cuando se enlazan 2 cabezas: Este es el valor para la segunda cabeza
			035 ó 039	Macros utilizadas cuando se enlazan 4 cabezas: Este es el valor para la primera cabeza
			040 ó 044	Macros utilizadas cuando se enlazan 4 cabezas: Este es el valor para la segunda cabeza
			045 ó 049	Macros utilizadas cuando se enlazan 4 cabezas: Este es el valor para la tercera cabeza
			050 ó 054	Macros utilizadas cuando se enlazan 4 cabezas: Este es el valor para la cuarta cabeza
17		Configuración (Configure estos valores antes de configurar otros canales DMX. Hay un retardo de 10 segundos antes de que los ajustes tengan efecto)	055 ó 059	Reiniciar desplazamiento lateral
	060 ó 064		Reiniciar inclinación	
	065 ó 069		Reservado para usos futuros	
	070 ó 074		Reiniciar todo	
	075 ó 079		Reservado para usos futuros	
	080 ó 084		Invertir desplazamiento lateral/inclinación	
	085 ó 089		Invertir desplazamiento lateral	
	090 ó 094		Invertir inclinación	
	095 ó 099		Cancelar invertir desplazamiento lateral	
	100 ó 104		Cancelar invertir inclinación	
	105 ó 109		Cancelar invertir movimiento lateral/inclinación	
	110 ó 114		Reservado para usos futuros	
	115 ó 119		Controla todas las cabezas con los canales de la cabeza 1	
	120 ó 124		Cancela el control de todas las cabezas	
	125 ó 129		Reservado para usos futuros	
	130 ó 134		Reservado para usos futuros	
	135 ó 139		Reservado para usos futuros	
	140 ó 144		Reservado para usos futuros	
	145 ó 255		Sin función	

A propos de ce manuel Le Manuel de Référence (MR) de l'Intimidator™ Wave 360 IRC reprend des informations de base sur cet appareil notamment en matière de montage, d'options de menu et d'affectations DMX. Pour plus d'informations, veuillez télécharger le manuel de l'utilisateur sur le site internet de Chauvet : <http://www.chauvetlighting.com/product-manuals-literature/>.

Clause de non Responsabilité Les informations et caractéristiques contenues dans ce Mdr sont sujettes à changement sans préavis.

Consignes de Sécurité Les consignes de sécurité qui suivent contiennent des informations importantes en matière d'installation, d'utilisation et d'entretien.



- Connectez toujours l'appareil à un circuit relié à la terre.
- Veillez à ce que le cordon d'alimentation ne soit jamais pincé ou endommagé.
- Toujours débrancher l'appareil de la source d'alimentation avant de le nettoyer ou de remplacer le fusible.
- Ne débranchez jamais cet appareil en tirant sur le cordon d'alimentation.
- En cas d'installation de l'appareil en hauteur, assurez-vous de toujours utiliser un câble de sécurité pour le maintenir en place et que son poids soit suffisamment supporté.
- Veillez à ce qu'il ne se trouve jamais à proximité d'un matériel inflammable lorsqu'il est en fonctionnement.
- Évitez tout contact visuel direct avec la source lumineuse quand cet appareil est en marche.
- Ne touchez pas le boîtier de l'appareil lorsqu'il est en fonctionnement, celui-ci pouvant être très chaud.



- Cet appareil n'est pas adapté pour une installation permanente.
- Cet appareil doit uniquement être utilisé en intérieur. Il répond aux exigences de la norme IP 20.
- N'exposez l'appareil ni à la pluie, ni à l'humidité.
- Toujours connecter l'appareil à une source d'alimentation correspondant à la tension indiquée sur l'étiquette ou le panneau arrière de l'appareil.
- Ne connectez jamais l'appareil à un variateur ou un rhéostat.
- Veillez à remplacer le fusible avec un fusible de même type et de même ampérage.
- Installez toujours l'appareil dans un endroit bien ventilé.
- Veillez à laisser 50 cm (20 po) entre l'appareil et les surfaces adjacentes.
- Assurez-vous qu'aucune fente de ventilation sur le boîtier ne soit obstruée.
- Ne faites pas fonctionner l'appareil à une température ambiante de plus de 40 °C (104 °F).
- Ne transportez jamais l'appareil par son cordon d'alimentation ou toute autre pièce mobile.
- Utilisez toujours la fixation de montage ou la poignée de transport quand vous soulevez l'appareil.
- En cas de problème grave lors du fonctionnement, arrêtez immédiatement d'utiliser l'appareil.
- N'essayez jamais de réparer l'appareil vous-même. Toute réparation effectuée par des personnes non agréées pourrait occasionner des dommages ou des défaillances.
- Durant les périodes de non-utilisation, pour éviter tout usure inutile et pour prolonger la durée de vie, déconnectez-entièrement l'appareil en le débranchant de l'alimentation électrique ou en coupant le disjoncteur.

- Nous contacter**
- En dehors des États-Unis, du Royaume-Uni, de l'Irlande, du Mexique et de Benelux, contactez votre fournisseur si vous avez besoin d'assistance ou de retourner un appareil.
 - Depuis les États-Unis, le Royaume-Uni, l'Irlande, le Mexique et le Benelux, utilisez les informations de la rubrique [Contact Us](#) à la fin de ce MR.

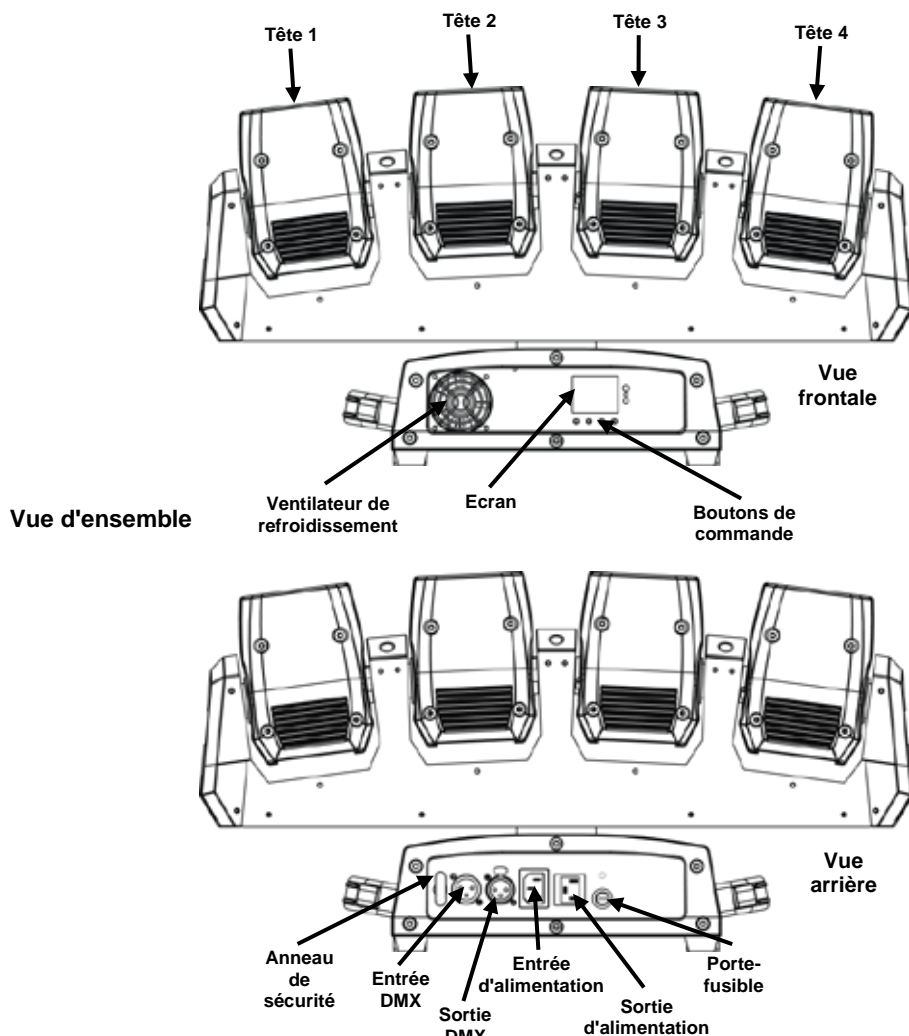
- Contenu**
- Intimidator™ Wave 360 IRC
 - Bras de suspension avec matériel de montage.
 - Cordon d'alimentation
 - Fiche de garantie
 - Manuel de référence

Préalable Déballez avec précaution et sans attendre l'Intimidator™ Wave 360 IRC et vérifiez que tous les éléments se trouvent dans l'emballage et ne présentent aucun dommage.

Si l'emballage ou le contenu semblent avoir été endommagés pendant le transport, ou qu'ils présentent des traces de mauvaise manipulation, gardez tous les matériaux d'emballage et envoyez immédiatement une réclamation au transporteur. Ne contactez pas Chauvet. Si les dommages ne sont pas signalés au transporteur immédiatement, ou si l'intégralité de l'emballage n'est pas conservée pour inspection ultérieure, la réclamation peut être invalidée.

Pour tout autre problème comme la non-livraison de pièces ou de composants, des dommages sans rapport avec la livraison ou pour des vices cachés, veuillez déposer votre réclamation auprès de Chauvet dans les 7 jours suivant la livraison. Pour savoir comment prendre contact avec Chauvet, veuillez consulter la section [Contact Us](#) de ce MR.

Description Le Intimidator™ Wave 360 IRC est une barre de lumières mobiles avec 4 lyres contrôlées indépendamment sur une base en constante rotation et émettant de puissants faisceaux concentrés changeants de couleur. Mode maître/esclave facilitant l'élaboration de spectacles de lumières synchronisées. Elle peut fonctionner en mode autonome, en activation par le son ou par DMX. Fonctionne avec la télécommande sans fil IRC-6 optionnelle pour faciliter l'utilisation jusqu'à 4,5 mètres de distance (15 pi).



Alimentation CA L'Intimidator™ Wave 360 IRC est doté d'une alimentation universelle prenant en charge toute tension d'entrée comprise entre 100 et 240 VCA, 50/60 Hz.



Durant les périodes de non-utilisation, pour éviter tout usure inutile et pour prolonger la durée de vie, déconnectez-entièrement l'appareil en le débranchant de l'alimentation électrique ou en coupant le disjoncteur.

Chaînage électrique Le chaînage électrique est utilisé lorsque des appareils sont connectés entre-eux en guirlande par le biais de leurs connecteurs d'entrée et de sortie d'alimentation. Cela permet à plusieurs appareils d'être alimentés à partir d'une seule prise de courant. Pour savoir combien de Intimidator™ Wave 360 IRC peuvent être chaînés entre eux au maximum sur du 120 V ou du 240 V, veuillez consulter le manuel de l'utilisateur ou l'étiquette sur l'appareil. Le manuel de l'utilisateur est consultable sur le site internet de Chauvet : <http://www.chauvetlighting.com/product-manuals-literature/>.

Remplacement des fusibles

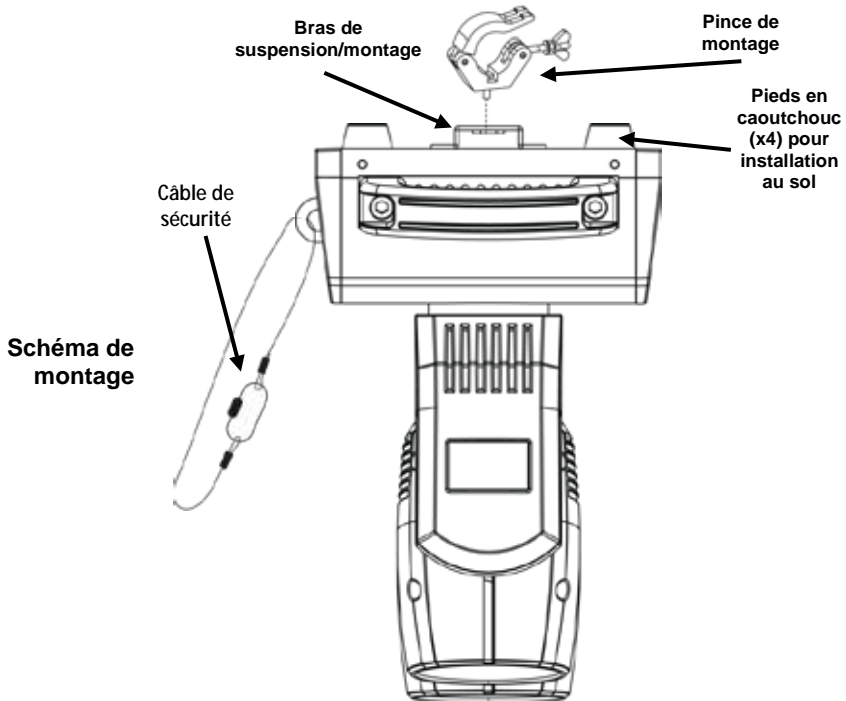
1. Débranchez le produit.
2. Avec un tournevis à tête plate, dévissez le capuchon du porte-fusible du boîtier.
3. Retirez le fusible grillé.
4. Remplacez-le par un fusible de même type.
5. Remettez en place et vissez le capuchon du porte-fusible et rebranchez.



Débranchez l'appareil avant de changer le fusible.

Installation

Avant d'installer l'Intimidator™ Wave 360 IRC, veuillez lire les [Consignes de sécurité](#) de ce MdR. Utilisez au minimum deux points de fixation et un câble de sécurité par appareil. Assurez-vous que les fixations de montage peuvent supporter le poids de l'appareil. Pour consulter la gamme de fixations de montage Chauvet, rendez-vous à l'adresse www.chauvetlighting.com/cables-clamps-main.html.



Lorsque vous n'utilisez qu'une seule fixation de montage, veuillez à utiliser un boulon d'ancrage à goujon captif pour empêcher tout desserrage accidentel.

Description du panneau de commande	Bouton	Fonction
	<MENU>	Permet la sortie du menu ou de la fonction en cours
	<UP>	Permet de naviguer vers le haut dans la liste du menu ou d'incrémenter une valeur numérique dans une fonction
	<DOWN>	Permet de naviguer vers le bas dans la liste du menu ou de décrémenter une valeur numérique dans une fonction
	<ENTER>	Active l'entrée de menu actuellement affichée ou confirme la valeur actuellement sélectionnée pour la fonction en cours de sélection

Plan du menu

Niveau principal	Niveaux de programmation		Description
Adress	001-512		Définit l'adresse DMX de départ
Run Mode	DMX	17CH	Définit la personnalité DMX
		33CH	
	Auto	Auto01- Auto16	Définit un programme automatique
	Sound		Définit un activation par le son
	Slave	S-1-S-4	Active le mode esclave
	IR		Active le mode infrarouge
Setup	Mast Set	M-1-M-4	Paramètre le mode maître M-1, M-2 ou M-4
	Pan Reverse	ON	Définit le fonctionnement en balayage inversé
		OFF	
	Tilt Reverse	ON	Définit le fonctionnement en basculement inversé
		OFF	
	Pan Angle	540	Définit une plage d'angle de balayage
		360	
		180	
	Tilt Angle	90	Définit l'amplitude d'angle de basculement
		180	
		270	
	Display	ON	Active le noir général
		OFF	
	Screen Reverse	ON	Permet de configurer l'orientation de l'écran
		OFF	
	Dimmer Curve	Linear	Paramètre le mode de courbe de gradation
SCurve			
I Square			
Square			
Dimmer Speed	Smooth	Permet de définir la vitesse de gradation	
	Fast		
Sensitivity	1-100	Permet de configurer la sensibilité au son	
Reset		Réinitialiser tous les paramètres moteurs par défaut	
Factory Reset		Réinitialiser aux valeurs par défaut d'usine	

Plan du menu (suite)

Niveau principal	Niveau de programmation	Description
System Info	Ver XX	Affiche la version du logiciel
	Running Mode XXXXX	Affiche le mode de fonctionnement actuel
	DMX Address XXX	Affiche l'adresse DMX courante

IRC-6 (Télécommande par infrarouge) Le Intimidator Wave 360 IRC est compatible avec la télécommande IRC-6 de Chauvet. Les boutons suivants de l'IRC-6 sont utilisés avec le Intimidator Wave 360 IRC :

- <BLACKOUT>, <A>, <UV>, <W> - Allumage/extinction des LED
- <AUTO>, <0> à <9> - Sélectionne le mode de programme automatique (1-16)
- <SOUND> - Sélectionne le mode musical
- <STROBE> - Activation de l'effet stroboscopique (0–20 Hz)
- <SPEED> - Vitesse du programme automatique
- <SENSITIVITY> - Permet de définir la sensibilité au son
- <%> - Gradateur
- <FADE> - Appuyez une fois pour le niveau de fondu, deux fois pour le niveau d'accroche
- <+> et <-> - augmenter et diminuer
- <MANUAL> - Permet de définir le niveau de couleur blanche
- <R> - Permet de définir le niveau de couleur rouge
- <G> - Permet de définir le niveau de couleur verte
- - Permet de définir le niveau de couleur bleue

Chaînage DMX L'Intimidator Wave 360 IRC fonctionne avec un contrôleur DMX. Les informations relatives à la configuration de l'Intimidator Wave 360 IRC pour le fonctionnement DMX se trouvent dans le manuel de l'utilisateur, disponible sur le site de Chauvet à l'adresse : <http://www.chauvetlighting.com>. Pour plus d'informations sur le DMX, téléchargez l'introduction au DMX de Chauvet sur le site internet de Chauvet: <http://www.chauvetlighting.com/download/>.

Adresse de départ Pour permettre un accès total à tous les canaux de chaque mode DMX, l'adresse DMX recommandée pour cet appareil est de **480**.

Connexion maître/esclave L'Intimidator Wave 360 IRC peut également fonctionner en mode maître-esclave. Les informations relatives à la configuration de cet appareil pour le fonctionnement en maître/esclave se trouvent dans le manuel d'utilisation, disponible sur le site de Chauvet à l'adresse.

Affectations DMX

33CH	Canal	Fonction	Valeur	Pourcentage/Paramétrage
	1	Pan	000 ó 255	Balayage 0–540°
	2	Pan 16-bit	000 ó 255	Balayage 16-bit
	3	Vitesse	000 ó 255	Vitesse de balayage (vitesse en diminution)
	4	Balayage rotatif en continu	000	Aucune fonction
			001 ó 127	Balayage rotatif en continu avec vitesse en augmentation
			128 ó 255	Balayage rotatif en continu avec vitesse en diminution
	5	Inclinaison Tête 1	000 ó 255	Basculement tête 1, 0-270°
	6	Inclinaison Tête 2	000 ó 255	Basculement tête 2, 0-270°
	7	Inclinaison Tête 3	000 ó 255	Basculement tête 1, 0-270°
	8	Inclinaison Tête 4	000 ó 255	Basculement tête 1, 0-270°

Affectations DMX (suite)

33CH	Canal	Fonction	Valeur	Pourcentage/Paramétrage
			000ó 047	Aucune fonction
			048ó 055	Basculement automatique intégré 1
			056ó 063	Basculement automatique intégré 2
			064ó 071	Basculement automatique intégré 3
			072ó 079	Basculement automatique intégré 4
			080ó 087	Basculement automatique intégré 5
			088ó 095	Basculement automatique intégré 6
			096ó 103	Basculement automatique intégré 7
			104ó 111	Basculement automatique intégré 8
			112ó 119	Basculement automatique intégré 9
			120ó 127	Basculement automatique intégré 10
			128ó 135	Basculement automatique intégré 11
			136ó 143	Basculement automatique intégré 12
			144ó 151	Basculement automatique intégré 13
			152ó 159	Basculement automatique intégré 14
			160ó 167	Basculement automatique intégré 15
			168ó 175	Basculement automatique intégré 16
			176ó 183	Basculement automatique intégré 17
			184ó 191	Basculement automatique intégré 18
			192ó 199	Basculement automatique intégré 19
			200ó 207	Basculement automatique intégré 20
			208ó 215	Basculement automatique intégré 21
			216ó 223	Basculement automatique intégré 22
			224ó 231	Basculement automatique intégré 23
			232ó 239	Basculement automatique intégré 24
			240ó 247	Basculement automatique intégré 25 (basculement automatique intégré 1 à 24)
			248ó 255	Mode intégré de contrôle par le son
	9	Inclinaison automatique intégré		
	10	Vitesse de basculement intégrée	000ó 255	Vitesse de basculement intégrée, rapide à lent

Affectations DMX (suite)

33CH	Canal	Fonction	Valeur	Pourcentage/Paramétrage
	11	Gradation Rouge Tête 1	000ó 255	Gradation couleur rouge tête 1, 0 à 100%
	12	Gradation Verte Tête 1	000ó 255	Gradation couleur verte tête 1, 0 à 100%
	13	Gradation Bleue Tête 1	000ó 255	Gradation couleur bleue tête 1, 0 à 100%
	14	Gradation Blanche Tête 1	000ó 055	Gradation couleur blanche tête 1, 0 à 100%
	15	Gradation Rouge Tête 2	000ó 255	Gradation couleur rouge tête 2, 0 à 100%
	16	Gradation Verte Tête 2	000ó 255	Gradation couleur verte tête 2, 0 à 100%
	17	Gradation Bleue Tête 2	000ó 255	Gradation couleur bleue tête 2, 0 à 100%
	18	Gradation Blanche Tête 2	000ó 255	Gradation couleur blanche tête 2, 0 à 100%
	19	Gradation Rouge Tête 3	000ó 255	Gradation couleur rouge tête 3, 0 à 100%
	20	Gradation Verte Tête 3	000ó 255	Gradation couleur verte tête 3, 0 à 100%
	21	Gradation Bleue Tête 3	000ó 255	Gradation couleur bleue tête 3, 0 à 100%
	22	Gradation Blanche Tête 3	000ó 255	Gradation couleur blanche tête 3, 0 à 100%
	23	Gradation Rouge Tête 4	000ó 255	Gradation couleur rouge tête 4, 0 à 100%
	24	Gradation Verte Tête 4	000ó 255	Gradation couleur verte tête 4, 0 à 100%
	25	Gradation Bleue Tête 4	000ó 255	Gradation couleur bleue tête 4, 0 à 100%
	26	Gradation Blanche Tête 4	000ó 255	Gradation couleur blanche tête 4, 0 à 100%

Affectations DMX (suite)

33CH	Canal	Fonction	Valeur	Pourcentage/Paramétrage
			000ó 007	Aucune fonction
			008ó 015	Couleur 1
			016ó 023	Couleur 2
			024ó 031	Couleur 3
			032ó 039	Couleur 4
			040ó 047	Couleur 5
			048ó 055	Couleur 6
			056ó 063	Couleur 7
			064ó 071	Couleur 8
			072ó 079	Couleur 9
			080ó 087	Couleur 10
			088ó 095	Couleur 11
			096ó 103	Couleur 12
			104ó 111	Couleur 13
			112ó 119	Couleur 14
			120ó 127	Couleur 15
			128ó 179	Pas de fonction
			180ó 201	Dégradé arc-en-ciel, sens des aiguilles d'une montre (vitesse rapide à lent)
			202ó 207	Arrêt
			208ó 229	Dégradé arc-en-ciel, sens inverse des aiguilles d'une montre (vitesse rapide à lent)
			230ó 234	Pas de fonction
			235ó 249	Changement éclair (vitesse rapide à lent)
			250ó 255	Couleur musicale

27 Couleurs

Affectations DMX (suite)

33CH	Canal	Fonction	Valeur	Pourcentage/Paramétrage
			000ó 007	●●●●
			008ó 015	○●●●
			016ó 023	○○●●
			024ó 031	○○○●
			032ó 039	○○○○
			040ó 047	●○○○
			048ó 055	●●○○
			056ó 063	●●●○
			064ó 071	●●●●
			072ó 079	○○○○
			080ó 087	●○○○
			088ó 095	○●○○
			096ó 103	○○○●
			104ó 111	○○○●
			112ó 119	○○○○
28		Marche/Arrêt des Têtes	120ó 127	●●○○
			128ó 135	○●●○
			136ó 143	○○●●
			144ó 151	●○○●
			152ó 159	○○○○
			160ó 167	○●●●
			168ó 175	●○○●
			176ó 183	●●○●
			184ó 191	●●●○
			192ó 199	○○○○
			200ó 207	●●●●
			208ó 215	●●●●
			216ó 223	●●●●
			224ó 231	●●●●
			232ó 239	●●●●
			240ó 247	●●●●
			248ó 255	●●●●

Affectations DMX (suite)

33CH	Canal	Fonction	Valeur	Pourcentage/Paramétrage
			000◊ 015	Aucune fonction
			016◊ 020	Programme 1
			021◊ 025	Programme 2
			026◊ 030	Programme 3
			031◊ 035	Programme 4
			036◊ 040	Programme 5
			041◊ 045	Programme 6
			046◊ 050	Programme 7
			051◊ 055	Programme 8
			056◊ 060	Programme 9
			061◊ 065	Programme 10
			066◊ 070	Programme 11
			071◊ 075	Programme 12
			076◊ 080	Programme 13
			081◊ 085	Programme 14
			086◊ 090	Programme 15
			091◊ 095	Programme 16
			096◊ 100	Programme 17
29		Programmes Automatiques	101◊ 105	Programme 18
			106◊ 110	Programme 19
			111◊ 115	Programme 20
			116◊ 120	Programme 21
			121◊ 125	Programme 22
			126◊ 130	Programme 23
			131◊ 135	Programme 24 (intégré pour tous)
			136◊ 140	Programme 25
			141◊ 145	Programme 26
			146◊ 150	Programme 27
			151◊ 155	Programme 28
			156◊ 160	Programme 29
			161◊ 165	Programme 30
			166◊ 170	Programme 31
			171◊ 175	Programme 32
			176◊ 180	Programme 33
			181◊ 185	Programme 34
			186◊ 190	Programme 35
			191◊ 195	Programme 36

Affectations DMX (suite)

33CH	Canal	Fonction	Valeur	Pourcentage/Paramétrage
29	Programmes AUTO (suite)	196◊ 200	Programme 37	
		201◊ 205	Programme 38	
		206◊ 210	Programme 39	
		211◊ 215	Programme 40	
		216◊ 220	Programme 41	
		221◊ 225	Programme 42	
		226◊ 230	Programme 43	
		231◊ 235	Programme 44	
		236◊ 240	Programme 45	
		241◊ 245	Programme 46	
		246◊ 250	Programme 47	
		251◊ 255	Programme 48 (intégré pour tous)	
		30	Vitesse du Programme	000◊ 255
31	Variateur Toutes Têtes	000◊ 255	Gradation de toutes les têtes, 0 à 100%	
32	Programmes d'Obturation	000◊ 019	Arrêt	
		020◊ 024	Marche	
		025◊ 064	Obturateur 1 marche/arrêt équilibré (rapide à lent)	
		065◊ 069	Marche	
		070◊ 084	Obturateur 2 marche rapide/arrêt lent (rapide à lent)	
		085◊ 089	Marche	
		090◊ 104	Obturateur 3 marche lente/arrêt rapide (rapide à lent)	
		105◊ 109	Marche	
		110◊ 124	Obturateur 4 marche/arrêt aléatoire (rapide à lent)	
		125◊ 129	Marche	
		130◊ 144	Obturateur 5 marche rapide/arrêt lent aléatoire (rapide à lent)	
		145◊ 149	Marche	
		150◊ 164	Obturateur 6 marche lente/arrêt rapide aléatoire (rapide à lent)	
		165◊ 169	Marche	
		170◊ 184	Obturateur 7 obturation par pulsations (rapide à lent)	
		185◊ 189	Marche	
		190◊ 204	Obturateur 8 obturation par pulsations aléatoires (rapide à lent)	
		205◊ 209	Marche	
		210◊ 224	Obturateur 9 marche et arrêt de manière graduelle (rapide à lent)	
		225◊ 229	Marche	
230◊ 244	Obturateur 10 obturation par pulsations (rapide à lent)			
245◊ 255	Marche			

Affectations DMX (suite)

33CH	Canal	Fonction	Valeur	Pourcentage/Paramétrage
			000ó 009	Aucune fonction
			010ó 014	Déplacement en noir général
			015ó 019	Annulation du déplacement en noir général
			020ó 024	Macros indépendantes - annule les macros de combinaisons d'appareils ci-dessous
			025ó 029	Macros utilisées lorsque deux têtes sont reliées : Ceci est la valeur pour la première tête.
			030ó 034	Macros utilisées lorsque deux têtes sont reliées entre-elles : Ceci est la valeur pour la deuxième tête.
			035ó 039	Macros utilisées lorsque 4 têtes sont reliées entre-elles : Ceci est la valeur pour la première tête.
			040ó 044	Macros utilisées lorsque 4 têtes sont reliées entre-elles : Ceci est la valeur pour la deuxième tête.
			045ó 049	Macros utilisées lorsque 4 têtes sont reliées entre-elles : Ceci est la valeur pour la troisième tête.
			050ó 054	Macros utilisées lorsque 4 têtes sont reliées entre-elles : Ceci est la valeur pour la quatrième tête.
		Paramètres (Paramétrez ces valeurs avant de paramétrer d'autres canaux DMX. Il y a un délai de 10 secondes avant que le paramètre soit effectif)	055ó 059	Réinitialisation du balayage
			060ó 064	Réinitialisation du basculement
			065ó 069	Réservé pour utilisation future
			070ó 074	Réinitialisation totale
			075ó 079	Réservé pour utilisation future
			080ó 084	Balayage/basculement inverse
			085ó 089	Balayage inverse
			090ó 094	Basculement inverse
			095ó 099	Annulation du balayage inverse
			100ó 104	Annulation du basculement inverse
			105ó 109	Annulation du balayage/basculement inverse
			110ó 114	Réservé pour utilisation future
			115ó 119	Contrôle de toutes les têtes avec les canaux de la tête 1
			120ó 124	Annulation du contrôle de toutes les têtes avec les canaux de la tête 1
			125ó 129	Réservé pour utilisation future
			130ó 134	Réservé pour utilisation future
			135ó 139	Réservé pour utilisation future
			140ó 144	Réservé pour utilisation future
			145ó 255	Aucune fonction

Affectations DMX (suite)

17CH	Canal	Fonction	Valeur	Pourcentage/Paramétrage
	1	Pan	000ó 255	Balayage 0–540°
	2	Pan 16-bit	000ó 255	Balayage 16-bit
	3	Vitesse de balayage	000ó 255	Vitesse de balayage (vitesse en diminution)
	4	Balayage rotatif en continu	000	Aucune fonction
			001ó 127	Balayage rotatif en continu avec vitesse en augmentation
			128ó 255	Balayage rotatif en continu avec vitesse en diminution
	5	Inclinaison Tête 1	000ó 255	Basculement tête 1, 0-270°
	6	Inclinaison Tête 2	000ó 255	Basculement tête 2, 0-270°
	7	Inclinaison Tête 3	000ó 255	Basculement tête 3, 0-270°
	8	Inclinaison Tête 4	000ó 255	Basculement tête 4, 0-270°
	9	Inclinaison automatique intégré	000ó 047	Aucune fonction
			048ó 055	Basculement automatique intégré 1
			056ó 063	Basculement automatique intégré 2
			064ó 071	Basculement automatique intégré 3
			072ó 079	Basculement automatique intégré 4
			080ó 087	Basculement automatique intégré 5
			088ó 095	Basculement automatique intégré 6
			096ó 103	Basculement automatique intégré 7
			104ó 111	Basculement automatique intégré 8
			112ó 119	Basculement automatique intégré 9
			120ó 127	Basculement automatique intégré 10
			128ó 135	Basculement automatique intégré 11
			136ó 143	Basculement automatique intégré 12
			144ó 151	Basculement automatique intégré 13
			152ó 159	Basculement automatique intégré 14
			160ó 167	Basculement automatique intégré 15
			168ó 175	Basculement automatique intégré 16
			176ó 183	Basculement automatique intégré 17
			184ó 191	Basculement automatique intégré 18
			192ó 199	Basculement automatique intégré 19
	200ó 207	Basculement automatique intégré 20		

Affectations DMX (suite)

17CH (suite)	Canal	Fonction	Valeur	Pourcentage/Paramétrage
9 (suite)	Inclinaison automatique intégrée (suite)	208ó 215	Basculement automatique intégré 21	
		216ó 223	Basculement automatique intégré 22	
		224ó 231	Basculement automatique intégré 23	
		232ó 239	Basculement automatique intégré 24	
		240ó 247	Basculement automatique intégré 25 (basculement automatique intégré 1 à 24)	
		248ó 255	Mode intégré de contrôle par le son	
10	Vitesse de basculement intégrée	000ó 255	Vitesse de basculement intégrée, rapide à lent	
11	Couleurs	000ó 007	Aucune fonction	
		008ó 015	Couleur 1	
		016ó 023	Couleur 2	
		024ó 031	Couleur 3	
		032ó 039	Couleur 4	
		040ó 047	Couleur 5	
		048ó 055	Couleur 6	
		056ó 063	Couleur 7	
		064ó 071	Couleur 8	
		072ó 079	Couleur 9	
		080ó 087	Couleur 10	
		088ó 095	Couleur 11	
		096ó 103	Couleur 12	
		104ó 111	Couleur 13	
		112ó 119	Couleur 14	
		120ó 127	Couleur 15	
		128ó 179	Aucune fonction	
		180ó 201	Dégradé arc-en-ciel, sens des aiguilles d'une montre (vitesse rapide à lent)	
		202ó 207	Arrêt	
		208ó 229	Dégradé arc-en-ciel, sens inverse des aiguilles d'une montre (vitesse rapide à lent)	
230ó 234	Aucune fonction			
235ó 249	Changement éclair (vitesse rapide à lent)			
250ó 255	Couleur musicale			

Affectations DMX (suite)

17CH	Canal	Fonction	Valeur	Pourcentage/Paramétrage
			000ó 007	●●●●
			008ó 015	○●●●
			016ó 023	○○●●
			024ó 031	○○○●
			032ó 039	○○○○
			040ó 047	●○○○
			048ó 055	●●○○
			056ó 063	●●●○
			064ó 071	●●●●
			072ó 079	○○○○
			080ó 087	●○○○
			088ó 095	○●○○
			096ó 103	○○○●
			104ó 111	○○○●
			112ó 119	○○○○
			120ó 127	●●○○
12		Marche/Arrêt des Têtes	128ó 135	○●●○
			136ó 143	○○●●
			144ó 151	●○○●
			152ó 159	○○○○
			160ó 167	○●●●
			168ó 175	●○○●
			176ó 183	●●○●
			184ó 191	●●●○
			192ó 199	○○○○
			200ó 207	●●●●
			208ó 215	●●●●
			216ó 223	●●●●
			224ó 231	●●●●
			232ó 239	●●●●
			240ó 247	●●●●
			248ó 255	●●●●

Affectations DMX (suite)

17CH	Canal	Fonction	Valeur	Pourcentage/Paramétrage
			000◊ 015	Aucune fonction
			016◊ 020	Programme 1
			021◊ 025	Programme 2
			026◊ 030	Programme 3
			031◊ 035	Programme 4
			036◊ 040	Programme 5
			041◊ 045	Programme 6
			046◊ 050	Programme 7
			051◊ 055	Programme 8
			056◊ 060	Programme 9
			061◊ 065	Programme 10
			066◊ 070	Programme 11
			071◊ 075	Programme 12
			076◊ 080	Programme 13
			081◊ 085	Programme 14
			086◊ 090	Programme 15
			091◊ 095	Programme 16
			096◊ 100	Programme 17
			101◊ 105	Programme 18
			106◊ 110	Programme 19
			111◊ 115	Programme 20
			116◊ 120	Programme 21
			121◊ 125	Programme 22
			126◊ 130	Programme 23
			131◊ 135	Programme 24 (intégré pour tous)
			136◊ 140	Programme 25
			141◊ 145	Programme 26
			146◊ 150	Programme 27
			151◊ 155	Programme 28
			156◊ 160	Programme 29
			161◊ 165	Programme 30
			166◊ 170	Programme 31
			171◊ 175	Programme 32

13

Programmes
Automatiques

Affectations DMX (suite)

17CH	Canal	Fonction	Valeur	Pourcentage/Paramétrage
13 (suite)		Programmes Automatiques (suite)	176ó 180	Programme 33
			181ó 185	Programme 34
			186ó 190	Programme 35
			191ó 195	Programme 36
			196ó 200	Programme 37
			201ó 205	Programme 38
			206ó 210	Programme 39
			211ó 215	Programme 40
			216ó 220	Programme 41
			221ó 225	Programme 42
			226ó 230	Programme 43
			231ó 235	Programme 44
			236ó 240	Programme 45
			241ó 245	Programme 46
			246ó 250	Programme 47
	251ó 255	Programme 48 (intégré pour tous)		
14		Vitesse du Programme	000ó 255	Vitesse du programme, lent à rapide
15		Variateur Toutes Têtes	000ó 255	Gradation de toutes les têtes, 0 à 100%

Affectations DMX (suite)

17CH	Canal	Fonction	Valeur	Pourcentage/Paramétrage
			000 019	Arrêt
			020 024	Marche
			025 064	Obturateur 1 marche/arrêt équilibré (rapide à lent)
			065 069	Marche
			070 084	Obturateur 2 marche rapide/arrêt lent (rapide à lent)
			085 089	Marche
			090 104	Obturateur 3 marche lente/arrêt rapide (rapide à lent)
			105 109	Marche
			110 124	Obturateur 4 marche/arrêt aléatoire (rapide à lent)
			125 129	Marche
			130 144	Obturateur 5 marche rapide/arrêt lent aléatoire (rapide à lent)
			145 149	Marche
			150 164	Obturateur 6 marche lente/arrêt rapide aléatoire (rapide à lent)
			165 169	Marche
			170 184	Obturateur 7 obturation par pulsations (rapide à lent)
			185 189	Marche
			190 204	Obturateur 8 obturation par pulsations aléatoires (rapide à lent)
			205 209	Marche
			210 224	Obturateur 9 marche et arrêt de manière graduelle (rapide à lent)
			225 229	Marche
			230 244	Obturateur 10 obturation par pulsations (rapide à lent)
			245 255	Marche

16

Programmes
d'Obturation

Affectations DMX (suite)

17CH	Canal	Fonction	Valeur	Pourcentage/Paramétrage
			000ó 009	Aucune fonction
			010ó 014	Déplacement en noir général
			015ó 019	Annulation du déplacement en noir général
			020ó 024	Macros indépendantes - annule les macros de combinaisons d'appareils ci-dessous
			025ó 029	Macros utilisées lorsque deux têtes sont reliées : Ceci est la valeur pour la première tête.
			030ó 034	Macros utilisées lorsque deux têtes sont reliées entre-elles : Ceci est la valeur pour la deuxième tête.
			035ó 039	Macros utilisées lorsque 4 têtes sont reliées entre-elles : Ceci est la valeur pour la première tête.
			040ó 044	Macros utilisées lorsque 4 têtes sont reliées entre-elles : Ceci est la valeur pour la deuxième tête.
			045ó 049	Macros utilisées lorsque 4 têtes sont reliées entre-elles : Ceci est la valeur pour la troisième tête.
			050ó 054	Macros utilisées lorsque 4 têtes sont reliées entre-elles : Ceci est la valeur pour la quatrième tête.
17		Paramètres (Paramétrez ces valeurs avant de paramétrer d'autres canaux DMX. Il y a un délai de 10 secondes avant que le paramètre soit effectif)	055ó 059	Réinitialisation du balayage
			060ó 064	Réinitialisation du basculement
			065ó 069	Réservé pour utilisation future
			070ó 074	Réinitialisation totale
			075ó 079	Réservé pour utilisation future
			080ó 084	Balayage/basculement inverse
			085ó 089	Balayage inverse
			090ó 094	Basculement inverse
			095ó 099	Annulation du balayage inverse
			100ó 104	Annulation du basculement inverse
			105ó 109	Annulation du balayage/basculement inverse
			110ó 114	Réservé pour utilisation future
			115ó 119	Contrôle de toutes les têtes avec les canaux de la tête 1
			120ó 124	Annulation du contrôle de toutes les têtes avec les canaux de la tête 1
			125ó 129	Réservé pour utilisation future
			130ó 134	Réservé pour utilisation future
			135ó 139	Réservé pour utilisation future
			140ó 144	Réservé pour utilisation future
			145ó 255	Aucune fonction

Über diese Schnellanleitung

In der Schnellanleitung des Intimidator Wave 360 IRC finden Sie die wesentlichen Produktinformationen, wie etwa über die Montage, Menüoptionen und DMX-Zuweisungen des Geräts. Detaillierte Informationen finden Sie in der Bedienungsanleitung dieses Produkts, die Sie auf der Website von Chauvet herunterladen können unter <http://www.chauvetlighting.com>.

Haftungsausschluss

Die in dieser Anleitung aufgeführten Informationen und Spezifikationen können ohne vorherige Ankündigung geändert werden.

Sicherheitshinweise

Die folgenden Sicherheitshinweise enthalten wichtige Informationen über die Montage, Verwendung und Wartung des Geräts.



- Schließen Sie dieses Gerät immer an einen geerdeten Stromkreis an.
- Stellen Sie sicher, dass das Netzkabel nicht gequetscht oder beschädigt ist.
- Trennen Sie das Gerät immer von der Stromquelle, bevor Sie es reinigen oder die Sicherung auswechseln.
- Ziehen Sie beim Trennen des Geräts von der Stromversorgung nie am Kabel.
- Verwenden Sie für die Montage des Geräts über Kopf immer ordnungsgemäße Sicherheitskabel und stellen Sie sicher, dass dieses dessen Gewicht tragen kann.
- Stellen Sie sicher, dass das Gerät mit einem Sicherheitsabstand zu entzündlichen Materialien betrieben wird.
- Bei eingeschaltetem Gerät direkten Augenkontakt mit der Lichtquelle vermeiden.
- Niemals während des Betriebs das Gehäuse berühren, da dies sehr heiß wird.



- Dieses Produkt eignet sich nicht für eine permanente Installation.
- Dieses Gerät darf nur im Innenbereich verwendet werden. Es entspricht dem Standard IP 20.
- Das Gerät nicht Regen oder Feuchtigkeit aussetzen.
- Schließen Sie dieses Produkt immer an eine Stromquelle an, deren Spannung sich innerhalb des auf dem Typenschild oder rückseitigen Bedienfeld des Produkts angezeigten Spannungsbereich befindet.
- Schließen Sie dieses Gerät niemals an einen Dimmer oder Regelwiderstand an.
- Achten Sie beim Auswechseln der Sicherung darauf, den gleichen Typ mit den gleichen Werten zu verwenden.
- Installieren Sie das Produkt immer an einem Ort mit ausreichender Belüftung
- Halten Sie immer einen Abstand des Produkts zu den angrenzenden Flächen von 50 cm ein.
- Stellen Sie sicher, dass die Lüftungsöffnungen am Gehäuse des Geräts nicht verschlossen sind.



- Betreiben Sie das Gerät nicht bei einer Umgebungstemperatur von mehr als 104 °F (40 °C).
- Tragen Sie das Produkt niemals am Netzkabel oder einem beweglichen Geräteteil.
- Heben Sie das Produkt nur an den Hänge-/Befestigungsbügeln an.
- Bei ernsthaften Betriebsproblemen stoppen Sie umgehend die Verwendung des Produkts.
- Versuchen Sie nie selbst, dieses Gerät zu reparieren. Reparaturen müssen von entsprechend geschultem Fachpersonal durchgeführt werden, da sonst Schäden oder Fehlfunktionen auftreten können.
- Um unnötigen Verschleiß zu vermeiden und die Lebensdauer des Geräts zu verlängern, trennen Sie während längerer Perioden des Nichtgebrauchs das Gerät vom Stromnetz – entweder per Trennschalter oder durch Herausziehen des Steckers aus der Steckdose.

- Kontakt**
- Kunden außerhalb der USA, GB, Irland, Mexiko oder Benelux wenden sich an den aufgeführten Lieferanten, um den Kundensupport in Anspruch zu nehmen oder ein Produkt zurückzuschicken.
 - Kunden innerhalb der USA, GB, Irland, Mexiko oder Benelux verwenden bitte die Informationen unter [Contact Us](#) am Ende dieser Schnellanleitung.

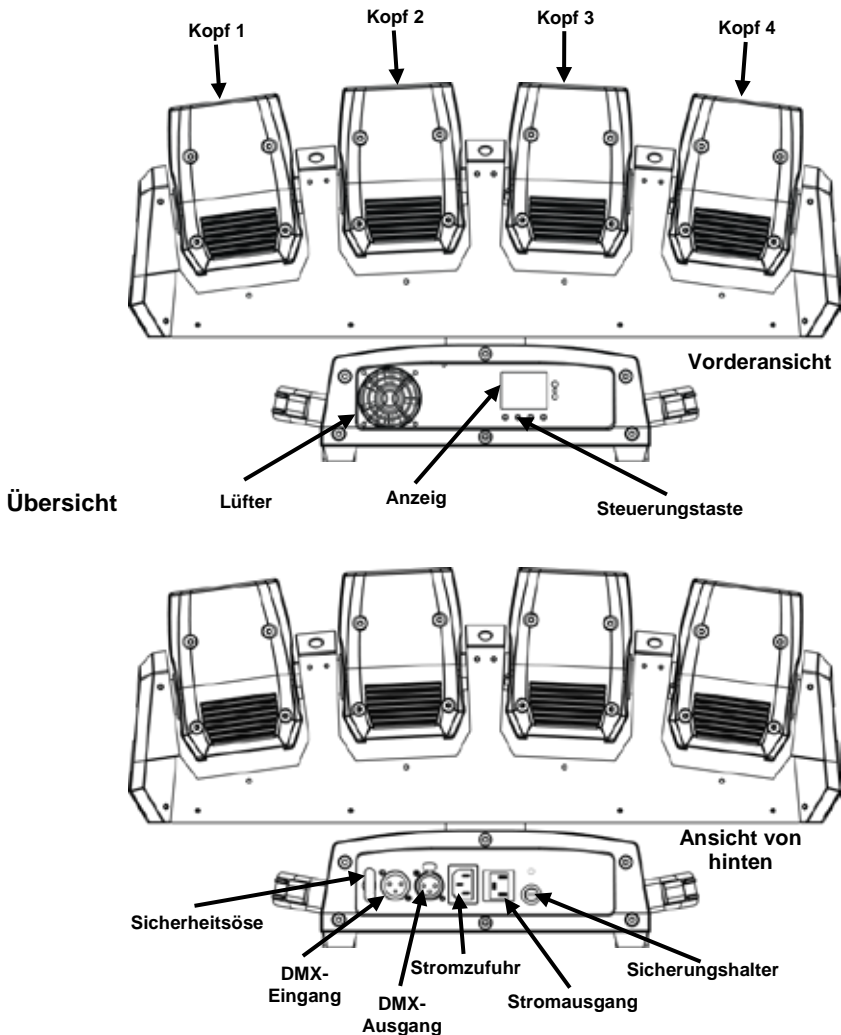
- Packungs-inhalt**
- | | |
|-----------------------------|--------------------|
| · Intimidator™ Wave 360 IRC | · Netzkabel |
| · Hängebügel mit | · Garantiekarte |
| · Befestigungsmaterial | · Schnellanleitung |

- Start** Packen Sie den Intimidator Wave 360 IRC vorsichtig aus und überprüfen Sie, ob Sie alle Teile unbeschädigt erhalten haben.

Wenn die Box oder die in der Verpackung befindlichen Teile beschädigt sind oder Mängel durch nicht einwandfreie Behandlung aufweisen, sichern Sie alle Verpackungsteile und machen dies umgehend beim Transportunternehmen geltend; benachrichtigen Sie jedoch nicht Chauvet. Eine Nichtbeachtung dieser umgehenden Meldepflicht gegenüber dem Transportunternehmen oder fehlende Verpackungsteile bei der Überprüfung des Anspruchs auf Mängelbeseitigung kann zu einem Erlöschen dieses Anspruchs führen.

Bei anderen Problemen wie etwa fehlenden Komponenten oder Teile, Schäden, die nicht durch den Transport entstanden sind, oder nicht offensichtliche Schäden, machen Sie Ihren Anspruch gegenüber Chauvet innerhalb von 7 Tagen ab Lieferung der Waren geltend. Hinweise zur Kontaktaufnahme mit Chauvet finden Sie unter dem Abschnitt [Contact Us](#) am Ende dieser Schnellanleitung.

Beschreibung Der Intimidator Wave 360 IRC ist eine bewegliche Leuchtenanordnung mit 4 unabhängig voneinander gesteuerten Köpfen auf einer kontinuierlich rotierenden Plattform, die scharfe, kraftvolle und farblich veränderbare Strahlen emittieren. Master/Slave-Modus ermöglicht eine einfache Erstellung koordinierter Lichtshows. Er kann im Stand-alone-, Musiksteuerungs- und DMX-Modus betrieben werden. Eine bequeme, drahtlose Steuerung aus bis zu 5 Metern ist mit der (optionalen) Fernbedienung IRC-6 möglich.



Wechselstrom Der Intimidator Wave 360 IRC verfügt über ein Vorschaltgerät, das automatisch die anliegende Spannung erkennt, sobald der Netzstecker in die Schukosteckdose gesteckt wird, und kann mit einer Eingangsspannung von 100~240 V AC, 50/60 Hz arbeiten.



Um unnötigen Verschleiß zu vermeiden und die Lebensdauer des Geräts zu verlängern, trennen Sie während längerer Perioden des Nichtgebrauchs das Gerät vom Stromnetz – entweder per Trennschalter oder durch Herausziehen des Steckers aus der Steckdose.

Reihenschaltung der Geräte Eine Serienschaltung ist der Zusammenschluss mehrerer Geräte für eine Show an den Stromeingängen und -ausgängen, sodass mehrere Geräte über eine Steckdose versorgt werden können.

Informationen zur maximalen Anzahl der Intimidator Wave 360 IRC-Geräte, die bei 120 V oder 240 V in Serie geschaltet werden können, finden Sie in der Bedienungsanleitung oder auf dem Typenschild am Gerät.

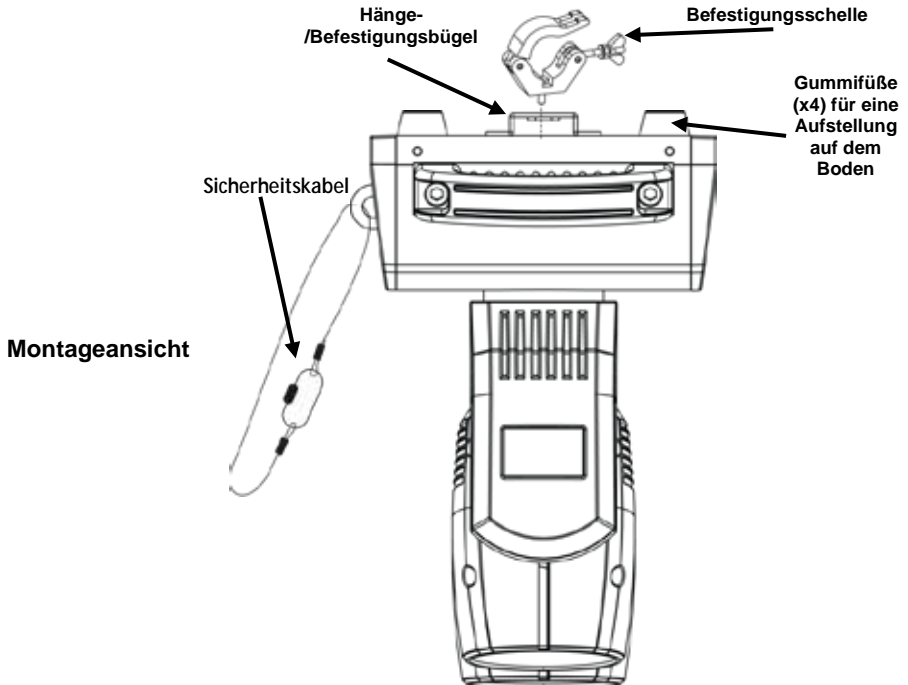
Die Bedienungsanleitung steht auf der Website von Chauvet zum Download bereit: <http://www.chauvetlighting.com>.

- Auswechseln der Sicherung**
1. Trennen Sie das Gerät vom Stromnetz.
 2. Mit einem Schlitzschraubendreher schrauben Sie die Abdeckung der Sicherung heraus.
 3. Entfernen Sie die durchgebrannte Sicherung.
 4. Achten Sie beim Auswechseln der Sicherung darauf, den gleichen Typ mit den gleichen Werten zu verwenden.
 5. Schrauben Sie die Abdeckung der Sicherung wieder ein, und schließen Sie das Gerät wieder an das Stromnetz an.



Trennen Sie das Gerät von der Stromquelle, bevor Sie die Sicherung auswechseln.

Montage Lesen Sie vor der Montage des Intimidator Wave 360 IRC die [Sicherheitshinweise](#) in dieser Schnellanleitung durch. Verwenden Sie pro Gerät mindestens zwei Befestigungspunkte sowie ein Sicherheitskabel. Stellen Sie sicher, dass die Befestigungsklemmen dafür ausgelegt sind, das Produktgewicht tragen zu können. Informationen zu unserer Chauvet-Produktlinie für Befestigungsklemmen finden Sie unter <https://www.chauvetdj.com/products/category/accessories/>.



Versichern Sie sich, dass bei Verwendung von nur einer Befestigungsklemme eine Sicherungsschraube zum Einsatz kommt, um ein unbeabsichtigtes Lösen zu verhindern.

Beschreibung des Bedienfeldes

Taste	Funktion
<MENU>	Damit verlassen Sie das aktuelle Menü oder die Funktion.
<UP>	Damit navigieren Sie sich durch die Menüpunkte nach oben oder erhöhen den numerischen Wert der entsprechenden Funktion.
<DOWN>	Damit navigieren Sie sich durch die Menüpunkte nach unten oder verringern den numerischen Wert der entsprechenden Funktion.
<ENTER>	Damit wird das aktuell angezeigte Menü aktiviert oder der aktuell ausgewählte Wert einer Funktion eingestellt.

Menüstruktur

Hauptebene	Programmirebenen		Beschreibung
Address	001–512		Stellt die DMX-Startadresse ein
Run Mode	DMX	17CH	Stellt den DMX-Modus ein
		33CH	
	Auto	Auto01–Auto16	Stellt ein Auto-Programm ein
	Sound		Stellt den Geräusch- Modus ein
	Slave	S-1–S-4	Stellt einen Slave-Modus ein
	IR		Stellt den Infrarot-Modus ein
Setup	Mast Set	M-1–M-4	Stellt einen Master-Modus von M-1, M-2 oder M-4 ein
	Pan Reverse	ON	Stellt einen umgekehrten Schwenkungs-Modus ein
		OFF	
	Tilt Reverse	ON	Stellt einen umgekehrten Neigungs-Modus ein
		OFF	
	Pan Angle	540	Stellt den Schwenkungswinkelbereich ein
		360	
		180	
	Tilt Angle	90	Stellt den Neigungswinkelbereich ein
		180	
		270	
	Display	ON	Stellt die Verdunkelung der Anzeige ein
		OFF	
	Screen Reverse	ON	Stellt die Ausrichtung des Bildschirms ein
		OFF	
	Dimmer Curve	Linear	Stellt den Dimmungskurven-Modus ein
		SCurve	
		I Square	
Square			
Dimmer Speed	Smooth	Stellt die Dimmergeschwindigkeit ein	
	Fast		
Sensitivity	1–100	Stellt die Musikempfindlichkeit ein	
Reset		Setzt alle Werkseinstellungen der Motoren zurück	
Factory Reset		Setzt auf die Werkseinstellungen zurück	
System Info	Ver XX		Zeigt die Software-Version an
	Running Mode XXXXX		Zeigt den aktuellen Betriebsmodus an
	DMX Address XXX		Zeigt die aktuelle DMX-Adresse an

IRC-6 (Infrarot-Fernbedienung) Der Intimidator Wave 360 IRC ist kompatibel mit der IRC-6 von Chauvet. Die folgenden Tasten der IRC-6-Fernbedienung werden für den Intimidator™ Wave 360 IRC verwendet:

- <BLACKOUT>, <A>, <UV>, <W> - schaltet die LED ein/aus
- <AUTO>, <0> bis <9> - wählt den Auto-Programm-Modus (1-16) aus
- <SOUND> - wählt den Musiksteuerungs-Modus aus
- <STROBE> - Stroboskopeffekt (0–20 Hz)
- <SPEED> - Geschwindigkeit des Auto-Programms
- <SENSITIVITY> - stellt die Musikempfindlichkeit ein
- <%> - Dimmer
- <FADE> - Für die Fade-Stufe einmal drücken, für die Snap-Stufe zweimal drücken
- <+> **and** <-> - Erhöhen und Verringern
- <MANUAL> - stellt die Farbtemperatur für Weiß ein
- <R> - stellt die Farbtemperatur für Rot ein
- <G> - stellt die Farbtemperatur für Grün ein
- - stellt die Farbtemperatur für Blau ein

DMX-Verbindung Der Intimidator Wave 360 IRC kann mit einem DMX-Controller angesteuert werden. Informationen zur Konfigurierung des Intimidator Wave 360 IRC finden Sie in der Bedienungsanleitung, die Sie auf der Website von Chauvet herunterladen können: <http://www.chauvetlighting.com>. Informationen über DMX finden Sie im Dokument "DMX - Eine Einführung" von Chauvet, das Sie auf der Website von Chauvet unter folgender Adresse herunterladen können: www.chauvetlighting.com/download/ herunterladen können.

Startadresse Um einen vollständigen Zugang zu allen Kanälen in jedem DMX-Modus zu gewährleisten, beträgt die höchste empfohlene DMX-Adresse für dieses Gerät **480**.

Master/Slave-Schaltung Der Intimidator Wave 360 IRC arbeitet im Master/Slave-Modus. Informationen zur Konfigurierung dieses Produkts für einen Master/Slave-Modus finden Sie in der Bedienungsanleitung, die Sie auf der Website von Chauvet herunterladen können: <http://www.chauvetlighting.com>.

DMX-Zuweisungen

33CH	Kanal	Funktion	Wert	Prozent/Einstellung
	1	Schwenkung	000ó 255	Schwenkung 0-540°
	2	Schwenkung 16-Bit	000ó 255	Schwenkung 16-Bit
	3	Schwenkungsgeschwindigkeit	000ó 255	Schwenkungsgeschwindigkeit (sich verringernde Geschwindigkeit)
	4	Ununterbrochene Schwenkungsrotation	000	Keine Funktion
			001ó 127	Ununterbrochene Schwenkungsrotation mit sich erhöhender Geschwindigkeit
			128ó 255	Ununterbrochene Schwenkungsrotation mit sich verringernder Geschwindigkeit
	5	Kopf 1 Neigung	000ó 255	0-270°
	6	Kopf 2 Neigung	000ó 255	0-270°
	7	Kopf 3 Neigung	000ó 255	0-270°
	8	Kopf 4 Neigung	000ó 255	0-270°
	9	Integrierte Auto-Neigung	000ó 047	Keine Funktion
			048ó 055	Integriertes Auto 1
			056ó 063	Integriertes Auto 2
			064ó 071	Integriertes Auto 3
			072ó 079	Integriertes Auto 4
			080ó 087	Integriertes Auto 5
			088ó 095	Integriertes Auto 6
			096ó 103	Integriertes Auto 7
			104ó 111	Integriertes Auto 8
			112ó 119	Integriertes Auto 9
			120ó 127	Integriertes Auto 10
			128ó 135	Integriertes Auto 11
			136ó 143	Integriertes Auto 12
			144ó 151	Integriertes Auto 13
			152ó 159	Integriertes Auto 14
			160ó 167	Integriertes Auto 15
			168ó 175	Integriertes Auto 16
			176ó 183	Integriertes Auto 17
			184ó 191	Integriertes Auto 18
			192ó 199	Integriertes Auto 19
			200ó 207	Integriertes Auto 20
			208ó 215	Integriertes Auto 21
			216ó 223	Integriertes Auto 22
			224ó 231	Integriertes Auto 23
			232ó 239	Integriertes Auto 24
	240ó 247	Integriertes Auto 25 (Integriertes Auto 1-24)		

248ó 255

Integrierter Musiksteuerungs-Modus

DMX-Zuordnungen (Fortsetzung)

33CH	Kanal	Funktion	Wert	Prozent/Einstellung
	10	Neigung integrierte Geschwindigkeit	000ó 255	Schnell nach langsam
	11	Kopf 1 Roter Dimmer	000ó 255	0–100%
	12	Kopf 1 Grüner Dimmer	000ó 255	0–100%
	13	Kopf 1 Blauer Dimmer	000ó 255	0–100%
	14	Kopf 1 Weißer Dimmer	000ó 055	0–100%
	15	Kopf 2 Roter Dimmer	000ó 255	0–100%
	16	Kopf 2 Grüner Dimmer	000ó 255	0–100%
	17	Kopf 2 Blauer Dimmer	000ó 255	0–100%
	18	Kopf 2 Weißer Dimmer	000ó 255	0–100%
	19	Kopf 3 Roter Dimmer	000ó 255	0–100%
	20	Kopf 3 Grüner Dimmer	000ó 255	0–100%
	21	Kopf 3 Blauer Dimmer	000ó 255	0–100%
	22	Kopf 3 Weißer Dimmer	000ó 255	0–100%
	23	Kopf 4 Roter Dimmer	000ó 255	0–100%
	24	Kopf 4 Grüner Dimmer	000ó 255	0–100%
	25	Kopf 4 Blauer Dimmer	000ó 255	0–100%
	26	Kopf 4 Weißer Dimmer	000ó 255	0–100%

DMX-Zuordnungen (Fortsetzung)

33CH	Kanal	Funktion	Wert	Prozent/Einstellung
			000ó 007	Keine Funktion
			008ó 015	Farbe 1
			016ó 023	Farbe 2
			024ó 031	Farbe 3
			032ó 039	Farbe 4
			040ó 047	Farbe 5
			048ó 055	Farbe 6
			056ó 063	Farbe 7
			064ó 071	Farbe 8
			072ó 079	Farbe 9
			080ó 087	Farbe 10
			088ó 095	Farbe 11
			096ó 103	Farbe 12
			104ó 111	Farbe 13
			112ó 119	Farbe 14
			120ó 127	Farbe 15
			128ó 179	Keine Funktion
			180ó 201	Fade-Regenbogen im Uhrzeigersinn (Geschwindigkeit von schnell nach langsam)
			202ó 207	Anhalten
			208ó 229	Fade-Regenbogen entgegen dem Uhrzeigersinn (Geschwindigkeit von schnell nach langsam)
			230ó 234	Keine Funktion
			235ó 249	Snap-Wechsel (Geschwindigkeit von schnell nach langsam)
			250ó 255	Musikfarbe

DMX-Zuordnungen (Fortsetzung)

33CH	Kanal	Funktion	Wert	Prozent/Einstellung
			000ó 007	●●●●
			008ó 015	○●●●
			016ó 023	○○●●
			024ó 031	○○○●
			032ó 039	○○○○
			040ó 047	●○○○
			048ó 055	●●○○
			056ó 063	●●●○
			064ó 071	●●●●
			072ó 079	○○○○
			080ó 087	●○○○
			088ó 095	○●○○
			096ó 103	○○●○
			104ó 111	○○○●
			112ó 119	○○○○
28		Köpfe Ein/Aus	120ó 127	●●○○
			128ó 135	○●●○
			136ó 143	○○●●
			144ó 151	●○○●
			152ó 159	○○○○
			160ó 167	○●●●
			168ó 175	●○●●
			176ó 183	●●○●
			184ó 191	●●●○
			192ó 199	○○○○
			200ó 207	●●●●
			208ó 215	●●●●
			216ó 223	●●●●
			224ó 231	●●●●
			232ó 239	●●●●
			240ó 247	●●●●
			248ó 255	●●●●

DMX-Zuordnungen (Fortsetzung)

33CH	Kanal	Funktion	Wert	Prozent/Einstellung
			000ó 015	Keine Funktion
			016ó 020	Programm 1
			021ó 025	Programm 2
			026ó 030	Programm 3
			031ó 035	Programm 4
			036ó 040	Programm 5
			041ó 045	Programm 6
			046ó 050	Programm 7
			051ó 055	Programm 8
			056ó 060	Programm 9
			061ó 065	Programm 10
			066ó 070	Programm 11
			071ó 075	Programm 12
			076ó 080	Programm 13
			081ó 085	Programm 14
			086ó 090	Programm 15
			091ó 095	Programm 16
			096ó 100	Programm 17
29		Auto-Programme	101ó 105	Programm 18
			106ó 110	Programm 19
			111ó 115	Programm 20
			116ó 120	Programm 21
			121ó 125	Programm 22
			126ó 130	Programm 23
			131ó 135	Programm 24 (integriert für alle)
			136ó 140	Programm 25
			141ó 145	Programm 26
			146ó 150	Programm 27
			151ó 155	Programm 28
			156ó 160	Programm 29
			161ó 165	Programm 30
			166ó 170	Programm 31
			171ó 175	Programm 32
			176ó 180	Programm 33
			181ó 185	Programm 34
			186ó 190	Programm 35
			191ó 195	Programm 36

DMX-Zuordnungen (Fortsetzung)

33CH	Kanal	Funktion	Wert	Prozent/Einstellung
29 (Forts.)		Auto-Programme (Forts.)	196ó 200	Programm 37
			201ó 205	Programm 38
			206ó 210	Programm 39
			211ó 215	Programm 40
			216ó 220	Programm 41
			221ó 225	Programm 42
			226ó 230	Programm 43
			231ó 235	Programm 44
			236ó 240	Programm 45
			241ó 245	Programm 46
			246ó 250	Programm 47
			251ó 255	Programm 48 (integriert für alle)
30		Programm- geschwindigkeit	000ó 255	Langsam bis schnell
31		Dimmung aller Köpfe	000ó 255	0–100%

DMX-Zuordnungen (Fortsetzung)

33CH	Kanal	Funktion	Wert	Prozent/Einstellung
			000ó 019	Off
			020ó 024	On
			025ó 064	Shutter 1 gleichmäßig ein/gleichmäßig aus (schnell nach langsam)
			065ó 069	On
			070ó 084	Shutter 2 schnell ein/langsam aus (schnell nach langsam)
			085ó 089	On
			090ó 104	Shutter 3 langsam ein/lschnell aus (schnell nach langsam)
			105ó 109	On
			110ó 124	Shutter 4 Zufalls-Shutter (schnell nach langsam)
			125ó 129	On
			130ó 144	Shutter 5 Zufalls-Shutter schnell ein/langsam aus (schnell nach langsam)
			145ó 149	On
			150ó 164	Shutter 6 Zufalls-Shutter langsam ein/schnell aus (schnell nach langsam)
			165ó 169	On
			170ó 184	Shutter 7 Pulse-Shutter (schnell nach langsam)
			185ó 189	On
			190ó 204	Shutter 8 Zufalls-Pulse-Shutter (schnell nach langsam)
			205ó 209	On
			210ó 224	Shutter 9 schrittweise ein und aus (schnell nach langsam)
			225ó 229	On
			230ó 244	Shutter 10 Pulse-Shutter (schnell nach langsam)
			245ó 255	On

32

Shutter-
Programme

DMX-Zuordnungen (Fortsetzung)

33CH	Kanal	Funktion	Wert	Prozent/Einstellung
			000ó 009	Keine Funktion
			010ó 014	Funktion (Bewegung bei Dunkelheit)
			015ó 019	Funktion (Bewegung bei Dunkelheit) abbrechen
			020ó 024	Unabhängige Makros – bricht die nachstehenden Makroproduktkombinationen ab
			025ó 029	Beim Zusammenschließen von 2 Köpfen verwendete Makros: Dies ist der Wert für den ersten Kopf
			030ó 034	Beim Zusammenschließen von 2 Köpfen verwendete Makros: Dies ist der Wert für den zweiten Kopf
			035ó 039	Beim Zusammenschließen von 4 Köpfen verwendete Makros: Dies ist der Wert für den ersten Kopf
			040ó 044	Beim Zusammenschließen von 4 Köpfen verwendete Makros: Dies ist der Wert für den zweiten Kopf
			045ó 049	Beim Zusammenschließen von 4 Köpfen verwendete Makros: Dies ist der Wert für den dritten Kopf
			050ó 054	Beim Zusammenschließen von 4 Köpfen verwendete Makros: Dies ist der Wert für den vierten Kopf
33		Einstellungen (Stellen Sie diese Werte ein, bevor Sie andere DMX-Kanäle einstellen. Bevor die Einstellungen aktiviert werden, gibt es eine Zeitverzögerung von 10 Sekunden.)	055ó 059	Zurücksetzen der Schwenkung
	060ó 064		Zurücksetzen der Neigung	
	065ó 069		Für künftige Verwendung reserviert	
	070ó 074		Alle zurücksetzen	
	075ó 079		Für künftige Verwendung reserviert	
	080ó 084		Umgekehrte Schwenkung/Neigung	
	085ó 089		Umgekehrte Schwenkung	
	090ó 094		Umgekehrte Neigung	
	095ó 099		Umgekehrte Schwenkung abbrechen	
	100ó 104		Umgekehrte Neigung abbrechen	
	105ó 109		Umgekehrte Schwenkung/Neigung abbrechen	
	110ó 114		Für künftige Verwendung reserviert	
	115ó 119		Steuert alle Köpfe mit Kopf 1 Kanälen	
	120ó 124		Bricht die Steuerung aller Köpfe mit Kopf 1 Kanälen ab	
	125ó 129		Für künftige Verwendung reserviert	
	130ó 134		Für künftige Verwendung reserviert	
	135ó 139		Für künftige Verwendung reserviert	
	140ó 144		Für künftige Verwendung reserviert	
	145ó 255		Keine Funktion	

DMX-Zuordnungen (Fortsetzung)

17CH	Kanal	Funktion	Wert	Prozent/Einstellung
	1	Schwenkung	000ó 255	Schwenkung 0-540°
	2	Schwenkung 16-Bit	000ó 255	Schwenkung 16-Bit
	3	Schwenkungsgeschwindigkeit	000ó 255	Schwenkungsgeschwindigkeit (sich verringernde Geschwindigkeit)
	4	Ununterbrochene Schwenkungsrotation	000	Keine Funktion
			001ó 127	Ununterbrochene Schwenkungsrotation mit sich erhöhender Geschwindigkeit
			128ó 255	Ununterbrochene Schwenkungsrotation mit sich verringernder Geschwindigkeit
	5	Kopf 1 Neigung	000ó 255	0-270°
	6	Kopf 2 Neigung	000ó 255	0-270°
	7	Kopf 3 Neigung	000ó 255	0-270°
	8	Kopf 4 Neigung	000ó 255	0-270°
	9	Integrierte Auto-Neigung	000ó 047	Keine Funktion
			048ó 055	Integriertes Auto 1
			056ó 063	Integriertes Auto 2
			064ó 071	Integriertes Auto 3
			072ó 079	Integriertes Auto 4
			080ó 087	Integriertes Auto 5
			088ó 095	Integriertes Auto 6
			096ó 103	Integriertes Auto 7
			104ó 111	Integriertes Auto 8
			112ó 119	Integriertes Auto 9
			120ó 127	Integriertes Auto 10
			128ó 135	Integriertes Auto 11
			136ó 143	Integriertes Auto 12
			144ó 151	Integriertes Auto 13
			152ó 159	Integriertes Auto 14
			160ó 167	Integriertes Auto 15
			168ó 175	Integriertes Auto 16
			176ó 183	Integriertes Auto 17
			184ó 191	Integriertes Auto 18
			192ó 199	Integriertes Auto 19
	200ó 207	Integriertes Auto 20		

DMX-Zuordnungen (Fortsetzung)

17CH (cont.)	Kanal	Funktion	Wert	Prozent/Einstellung
9 (Forts.)		Integrierte Auto- Neigung (Forts.)	208ó 215	Integriertes Auto 21
			216ó 223	Integriertes Auto 22
			224ó 231	Integriertes Auto 23
			232ó 239	Integriertes Auto 24
			240ó 247	Integriertes Auto 25 (Integriertes Auto 1–24)
			248ó 255	Integrierter Musiksteuerungs-Modus
10		Neigung integrierte Geschwindigkeit	000ó 255	Schnell nach langsam
11		Farben	000ó 007	Keine Funktion
			008ó 015	Farbe 1
			016ó 023	Farbe 2
			024ó 031	Farbe 3
			032ó 039	Farbe 4
			040ó 047	Farbe 5
			048ó 055	Farbe 6
			056ó 063	Farbe 7
			064ó 071	Farbe 8
			072ó 079	Farbe 9
			080ó 087	Farbe 10
			088ó 095	Farbe 11
			096ó 103	Farbe 12
			104ó 111	Farbe 13
			112ó 119	Farbe 14
			120ó 127	Farbe 15
			128ó 179	Keine Funktion
			180ó 201	Fade-Regenbogen im Uhrzeigersinn (Geschwindigkeit von schnell nach langsam)
			202ó 207	Anhalten
			208ó 229	Fade-Regenbogen entgegen dem Uhrzeigersinn (Geschwindigkeit von schnell nach langsam)
230ó 234	Keine Funktion			
235ó 249	Snap-Wechsel (Geschwindigkeit von schnell nach langsam)			
250ó 255	Musikfarbe			

DMX-Zuordnungen (Fortsetzung)

17CH	Kanal	Funktion	Wert	Prozent/Einstellung
			000ó 007	●●●●
			008ó 015	○●●●
			016ó 023	○○●●
			024ó 031	○○○●
			032ó 039	○○○○
			040ó 047	●○○○
			048ó 055	●●○○
			056ó 063	●●●○
			064ó 071	●●●●
			072ó 079	○○○○
			080ó 087	●○○○
			088ó 095	○●○○
			096ó 103	○○○●
			104ó 111	○○○●
			112ó 119	○○○○
12		Köpfe Ein/Aus	120ó 127	●●○○
			128ó 135	○●●○
			136ó 143	○○●●
			144ó 151	●○○●
			152ó 159	○○○○
			160ó 167	○●●●
			168ó 175	●○○●
			176ó 183	●●○●
			184ó 191	●●●○
			192ó 199	○○○○
			200ó 207	●●●●
			208ó 215	●●●●
			216ó 223	●●●●
			224ó 231	●●●●
			232ó 239	●●●●
			240ó 247	●●●●
			248ó 255	●●●●

DMX-Zuordnungen (Fortsetzung)

17CH	Kanal	Funktion	Wert	Prozent/Einstellung
			000◊ 015	Keine Funktion
			016◊ 020	Programm 1
			021◊ 025	Programm 2
			026◊ 030	Programm 3
			031◊ 035	Programm 4
			036◊ 040	Programm 5
			041◊ 045	Programm 6
			046◊ 050	Programm 7
			051◊ 055	Programm 8
			056◊ 060	Programm 9
			061◊ 065	Programm 10
			066◊ 070	Programm 11
			071◊ 075	Programm 12
			076◊ 080	Programm 13
			081◊ 085	Programm 14
			086◊ 090	Programm 15
13		Auto-Programme	091◊ 095	Programm 16
			096◊ 100	Programm 17
			101◊ 105	Programm 18
			106◊ 110	Programm 19
			111◊ 115	Programm 20
			116◊ 120	Programm 21
			121◊ 125	Programm 22
			126◊ 130	Programm 23
			131◊ 135	Programm 24 (integriert für alle)
			136◊ 140	Programm 25
			141◊ 145	Programm 26
			146◊ 150	Programm 27
			151◊ 155	Programm 28
			156◊ 160	Programm 29
			161◊ 165	Programm 30
			166◊ 170	Programm 31
			171◊ 175	Programm 32

DMX-Zuordnungen (Fortsetzung)

17CH	Kanal	Funktion	Wert	Prozent/Einstellung
13 (Forts.)		Auto-Programme (Forts.)	176ó 180	Programm 33
			181ó 185	Programm 34
			186ó 190	Programm 35
			191ó 195	Programm 36
			196ó 200	Programm 37
			201ó 205	Programm 38
			206ó 210	Programm 39
			211ó 215	Programm 40
			216ó 220	Programm 41
			221ó 225	Programm 42
			226ó 230	Programm 43
			231ó 235	Programm 44
			236ó 240	Programm 45
			241ó 245	Programm 46
			246ó 250	Programm 47
	251ó 255	Programm 48 (integriert für alle)		
14		Programm- geschwindigkeit	000ó 255	Langsam bis schnell
15		Dimmung aller Köpfe	000ó 255	0–100%

DMX-Zuordnungen (Fortsetzung)

17CH	Kanal	Funktion	Wert	Prozent/Einstellung
			000ó 019	Off
			020ó 024	On
			025ó 064	Shutter 1 gleichmäßig ein/gleichmäßig aus (schnell nach langsam)
			065ó 069	On
			070ó 084	Shutter 2 schnell ein/langsam aus (schnell nach langsam)
			085ó 089	On
			090ó 104	Shutter 3 langsam ein/schnell aus (schnell nach langsam)
			105ó 109	On
			110ó 124	Shutter 4 Zufalls-Shutter (schnell nach langsam)
			125ó 129	On
			130ó 144	Shutter 5 Zufalls-Shutter schnell ein/langsam aus (schnell nach langsam)
			145ó 149	On
			150ó 164	Shutter 6 Zufalls-Shutter langsam ein/schnell aus (schnell nach langsam)
			165ó 169	On
			170ó 184	Shutter 7 Pulse-Shutter (schnell nach langsam)
			185ó 189	On
			190ó 204	Shutter 8 Zufalls-Pulse-Shutter (schnell nach langsam)
			205ó 209	On
			210ó 224	Shutter 9 schrittweise ein und aus (schnell nach langsam)
			225ó 229	On
			230ó 244	Shutter 10 Pulse-Shutter (schnell nach langsam)
			245ó 255	On

16

**Shutter-
Programme**

DMX-Zuordnungen (Fortsetzung)

17CH	Kanal	Funktion	Wert	Prozent/Einstellung
17		Einstellungen (Stellen Sie diese Werte ein, bevor Sie andere DMX-Kanäle einstellen. Bevor die Einstellungen aktiviert werden, gibt es eine Zeitverzögerung von 10 Sekunden.)	000 009	Keine Funktion
			010 014	MIB-Funktion (Bewegung bei Dunkelheit)
			015 019	MIB-Funktion (Bewegung bei Dunkelheit) abbrechen
			020 024	Unabhängige Makros – bricht die nachstehenden Makroproduktkombinationen ab
			025 029	Beim Zusammenschließen von 2 Köpfen verwendete Makros: Dies ist der Wert für den ersten Kopf
			030 034	Beim Zusammenschließen von 2 Köpfen verwendete Makros: Dies ist der Wert für den zweiten Kopf
			035 039	Beim Zusammenschließen von 4 Köpfen verwendete Makros: Dies ist der Wert für den ersten Kopf
			040 044	Beim Zusammenschließen von 4 Köpfen verwendete Makros: Dies ist der Wert für den zweiten Kopf
			045 049	Beim Zusammenschließen von 4 Köpfen verwendete Makros: Dies ist der Wert für den dritten Kopf
			050 054	Beim Zusammenschließen von 4 Köpfen verwendete Makros: Dies ist der Wert für den vierten Kopf
			055 059	Zurücksetzen der Schwenkung
			060 064	Zurücksetzen der Neigung
			065 069	Für künftige Verwendung reserviert
			070 074	Alle zurücksetzen
			075 079	Für künftige Verwendung reserviert
			080 084	Umgekehrte Schwenkung/Neigung
			085 089	Umgekehrte Schwenkung
			090 094	Umgekehrte Neigung
			095 099	Umgekehrte Schwenkung abbrechen
			100 104	Umgekehrte Neigung abbrechen
			105 109	Umgekehrte Schwenkung/Neigung abbrechen
			110 114	Für künftige Verwendung reserviert
			115 119	Steuert alle Köpfe mit Kopf 1 Kanälen
			120 124	Bricht die Steuerung aller Köpfe mit Kopf 1 Kanälen ab
			125 129	Für künftige Verwendung reserviert
			130 134	Für künftige Verwendung reserviert
			135 139	Für künftige Verwendung reserviert
			140 144	Für künftige Verwendung reserviert
145 255	Keine Funktion			

Informazioni sulla Guida La Guida Rapida di Intimidator Wave 360 IRC contiene informazioni di base sul prodotto quali montaggio, opzioni menù e valori DMX. Per maggiori informazioni, scaricare il Manuale Utente dal sito Web Chauvet: <http://www.chauvetlighting.com>.

Esclusione di Responsabilità Le informazioni e le specifiche contenute in questa guida possono essere modificate senza preavviso.

Note di Sicurezza Le Note di Sicurezza seguenti includono informazioni importanti circa il montaggio, l'uso e la manutenzione.



- Collegare sempre il prodotto ad un circuito dotato di messa a terra.
- Assicurarsi che il cavo di alimentazione non sia piegato o danneggiato.
- Prima di effettuare la pulizia o sostituire il fusibile, scollegare l'unità dall'alimentazione elettrica.
- Non scollegare mai l'unità dall'alimentazione elettrica tirando o stratonando il cavo.
- Quando l'unità viene montata in alto, assicurarsi che il supporto sia adeguato al peso e fissarla sempre utilizzando un cavo di sicurezza.
- Assicurarsi che non vi sia materiale infiammabile vicino all'unità durante il funzionamento.
- Quando l'unità è in funzione, evitare l'esposizione diretta degli occhi alla sorgente luminosa.
- Non toccare il contenitore dell'unità durante il funzionamento perché potrebbe essere molto caldo.



- L'apparecchiatura non è progettata per installazione permanente.
- L'unità deve essere utilizzata soltanto in interni. Classificata IP20.
- Non esporre l'unità alla pioggia o all'umidità.
- Collegare sempre l'unità ad una presa di corrente con la tensione indicata sull'etichetta o sul pannello posteriore.
- Non collegare mai l'unità ad un dimmer o ad un reostato
- Assicurarsi di sostituire il fusibile con un altro dello stesso tipo e classe.
- Montare sempre l'unità in posizione ben ventilata, ad almeno 50 cm. (20") da qualsiasi superficie.
- Assicurarsi che nessuna apertura di ventilazione dell'unità sia ostruita.
- Non utilizzare l'unità a temperature ambiente superiori a 104 °F (40 °C).
- Non trasportare mai l'unità tenendola dal cavo di alimentazione o da qualsiasi parte mobile.
- Per sollevare l'unità, utilizzare sempre il morsetto di montaggio o le maniglie da trasporto.
- In caso di gravi problemi di funzionamento interrompere immediatamente l'utilizzo.
- Non tentare di riparare l'unità. Interventi eseguiti da personale non specializzato possono causare danni o malfunzionamenti.
- Per evitare un consumo inutile ed aumentare la durata, durante i periodi di non utilizzo disconnettere completamente il prodotto dall'alimentazione con l'interruttore o scollegando il cavo.

Contatti

- Per richiedere assistenza o restituire il prodotto, al di fuori di Stati Uniti, Regno Unito, Irlanda, Messico o Benelux contattare il distributore locale
- All'interno di Stati Uniti, Regno Unito, Irlanda, Messico o Benelux, utilizzare le informazioni trovate alla fine della presente Guida rapida.

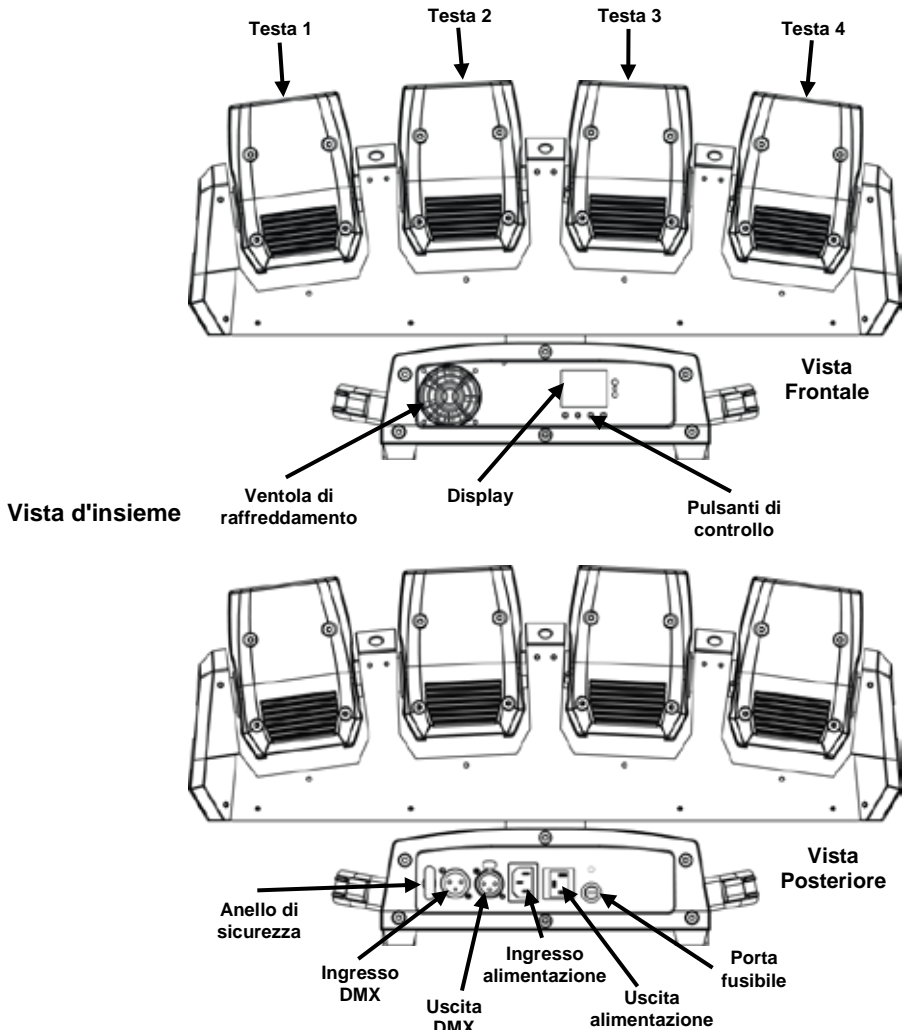
- Che cosa è incluso**
- Intimidator Wave 360 IRC
 - Staffa per montaggio sospeso con relativi accessori
 - Cavo di alimentazione
 - Scheda di garanzia
 - Guida Rapida

Per Iniziare Disimballare con attenzione Intimidator Wave 360 IRC ed accertarsi di aver ricevuto tutti i componenti integri.

Se l'imballo o uno qualsiasi dei componenti appaiono danneggiati, o mostrano segni di maltrattamento, notificarlo immediatamente al trasportatore, non a Chauvet. La mancata tempestività nella segnalazione al corriere o l'impossibilità di sottoporre a verifica materiali ed imballaggi, può invalidare la richiesta di indennizzo.

Per altri problemi quali componenti o parti mancanti, danni non correlati al trasporto o danni occulti, presentare reclamo a Chauvet entro sette (7) giorni dal ricevimento della merce. Per le informazioni sui contatti Chauvet, vedere [Contact Us](#) alla fine della presente Guida rapida.

Descrizione Intimidator Wave 360 IRC è un'apparecchiatura costituita da una serie di 4 luci a testa mobile controllabili individualmente, su una base in rotazione continua, che emettono fasci luminosi nitidi, potenti e colorati. La modalità Master/Slave consente di creare spettacoli luminosi coordinati con semplicità. Funziona in modalità indipendente, attivazione sonora e DMX. È inoltre attivabile tramite il pratico telecomando wireless IRC-6 (opzionale) fino ad una distanza di 4,5 m. (15 piedi).



Alimentazione CA Intimidator Wave 360 IRC è dotato di alimentatore a commutazione automatica con tensione in ingresso di 100 - 240 V CC - 50/60 Hz.



Per evitare un consumo inutile ed aumentare la durata, durante i periodi di non utilizzo disconnettere completamente il prodotto dall'alimentazione con l'interruttore o scollegando il cavo.

Collegamento Il collegamento elettrico di più unità in cascata si ottiene collegando le prese di alimentazione in ingresso e in uscita delle varie unità che sono poi alimentate da un'unica presa di rete.

Per il numero massimo di unità collegabile in cascata a 120 V oppure a 240 V, fare riferimento al Manuale Utente o alla targhetta collocata sul prodotto. Il Manuale Utente è disponibile sul sito Web di Chauvet all'indirizzo: <http://www.chauvetlighting.com>.

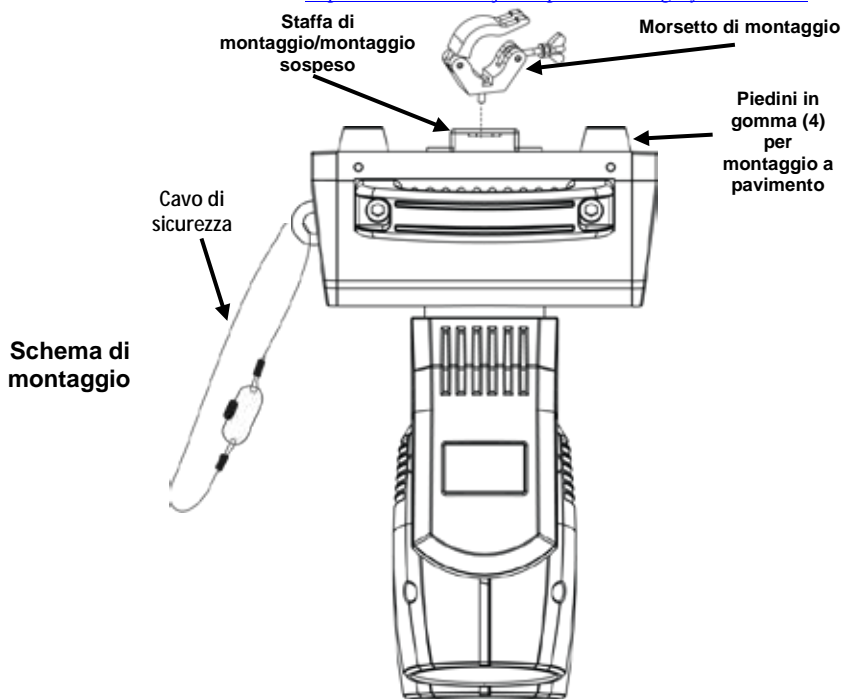
- Sostituzione fusibile**
1. Scollegare l'alimentazione elettrica dall'unità.
 2. Con un cacciavite a testa piatta, svitare il cappello del portafusibile dall'alloggiamento.
 3. Rimuovere il fusibile bruciato e sostituirlo con un altro dello stesso tipo e amperaggio.
 4. Riavvitare il cappello del portafusibile.
 5. Ricollegare l'alimentazione elettrica.



Prima di sostituire il fusibile, scollegare l'alimentazione elettrica dall'unità.

Montaggio

Prima di montare Intimidator™ Wave 360 IRC, leggere le [Note di Sicurezza](#) in questa Guida Rapida. Utilizzare almeno due punti di montaggio ed un cavo di sicurezza per ciascuna unità. Assicurarsi che i morsetti di montaggio siano in grado di sopportare il peso dell'unità. Per la linea di morsetti di montaggio Chauvet visitare il sito Web <https://www.chauvetdj.com/products/category/accessories/>.



Quando si utilizza un solo morsetto di montaggio, assicurarsi di utilizzarne uno con prigioniero per evitare che si allenti accidentalmente.

Descrizione del pannello di controllo

Pulsante	Funzione
<MENU>	Consente di uscire dal menù o dalla funzione corrente.
<UP>	Consente di spostarsi verso l'alto nell'elenco menù o di aumentare il valore numerico all'interno di una funzione.
<DOWN>	Consente di spostarsi verso il basso nell'elenco menù o di diminuire il valore numerico all'interno di una funzione.
<ENTER>	Consente di attivare il menù visualizzato o impostare il valore selezionato nella funzione selezionata.

Mapa del Menù

Livello principale	Livelli di programmazione		Descrizione
Address	001-512		Imposta gli indirizzi DMX iniziali
Run Mode	DMX	17CH	Imposta la caratteristica DMX
		33CH	
	Auto	Auto01-Auto16	Imposta un programma Auto
	Sound		
	Slave	S-1-S-4	Imposta una modalità Slave
	IR		Imposta la modalità Infrarossi
Setup	Mast Set	M-1-M-4	Imposta la modalità master M-1, M-2 oppure M-4
	Pan Reverse	ON	Imposta il funzionamento con rotazione inversa
		OFF	
	Tilt Reverse	ON	Imposta il funzionamento con brandeggio inverso
		OFF	
	Pan Angle	540	Imposta il campo di rotazione
		360	
		180	
	Tilt Angle	90	Imposta il campo di brandeggio
		180	
		270	
	Display	ON	Imposta l'oscuramento del display
		OFF	
	Screen Reverse	ON	Imposta l'orientamento dello schermo
		OFF	
	Dimmer Curve	Linear	Imposta la modalità curva dimmer
		SCurve	
I Square			
Square			
Dimmer Speed	Smooth	Imposta la velocità dimmer	
	Fast		
Sensitivity	1-100	Imposta la sensibilità sonora	
Reset		Ripristina tutti i valori predefiniti del motore	
Factory Reset		Ripristina le impostazioni di fabbrica	

Mappa del Menù (cont.)

Livello principale	Livelli di programmazione	Descrizione
System Info	Ver XX	Visualizza la versione del software
	Running Mode XXXXX	Visualizza la modalità di funzionamento corrente
	DMX Address XXX	Visualizza l'indirizzo DMX corrente

IRC-6 (telecomando a infrarossi) Intimidator Wave 360 IRC è compatibile con il telecomando a infrarossi IRC-6 di Chauvet. Con Intimidator Wave 360 IRC vengono utilizzati i seguenti pulsanti del telecomando:

- <BLACKOUT>, <A>, <UV>, <W> - Accende e spegne i LED
- <AUTO>, da <0> a <9> - Seleziona la modalità programma Auto (1–16)
- <SOUND> - Seleziona la modalità Attivazione sonora
- <STROBE> - Attiva lo strobo (0–20 Hz)
- <SPEED> - Velocità programma Auto
- <SENSITIVITY> - Imposta la sensibilità sonora
- <%> - Dimmer
- <FADE> - Premere una volta per il livello Fade, due volte per il livello Snap
- <+> e <-> - aumento e diminuzione
- <MANUAL> - Imposta il livello colore Bianco
- <R> - Imposta il livello colore Rosso
- <G> - Imposta il livello colore Verde
- - Imposta il livello colore Blu

Collegamento DMX Intimidator Wave 360 IRC funziona con un controller DMX. È possibile trovare le informazioni sulla configurazione di Intimidator Wave 360 IRC per il funzionamento DMX nel Manuale Utente disponibile sul sito Web Chauvet: <http://www.chauvetlighting.com>.

Le informazioni sul DMX si trovano nel DMX Primer di Chauvet disponibile sul sito Web Chauvet: <http://www.chauvetlighting.com/downloads>.

Indirizzo iniziale Per assicurare il completo accesso a tutti i canali in ciascuna modalità DMX, l'indirizzo maggiormente raccomandato è **480**.

Collegamento Master/Slave Intimidator Wave 360 IRC funziona in modalità Master/Slave. È possibile trovare le informazioni sul funzionamento Master/Slave dell'unità nel relativo Manuale utente disponibile sul sito Web Chauvet.

Assegnazioni DMX

33CH	Canale	Funzione	Valore	Percentuale/Impostazione
	1	Rotazione	000ó 255	Rotazione 0–540°
	2	Rotazione a 16-bit	000ó 255	Rotazione a 16-bit
	3	Velocità rotazione	000ó 255	Velocità rotazione (decrescente)
	4	Rotazione continua	000	Nessuna funzione
			001ó 127	Rotazione continua a velocità crescente
			128ó 255	Rotazione continua a velocità decrescente
	5	Brandeggio testa 1	000ó 255	0–270°
	6	Brandeggio testa 2	000ó 255	0–270°
	7	Brandeggio testa 3	000ó 255	0–270°
	8	Brandeggio testa 4	000ó 255	0–270°
	9	Brandeggio automatico integrato	000ó 047	Nessuna funzione
			048ó 055	Automatico 1 integrato
			056ó 063	Automatico 2 integrato
			064ó 071	Automatico 3 integrato
			072ó 079	Automatico 4 integrato
			080ó 087	Automatico 5 integrato
			088ó 095	Automatico 6 integrato
			096ó 103	Automatico 7 integrato
			104ó 111	Automatico 8 integrato
			112ó 119	Automatico 9 integrato
			120ó 127	Automatico 10 integrato
			128ó 135	Automatico 11 integrato
			136ó 143	Automatico 12 integrato
			144ó 151	Automatico 13 integrato
			152ó 159	Automatico 14 integrato
			160ó 167	Automatico 15 integrato
			168ó 175	Automatico 16 integrato
			176ó 183	Automatico 17 integrato
			184ó 191	Automatico 18 integrato
			192ó 199	Automatico 19 integrato
			200ó 207	Automatico 20 integrato
			208ó 215	Automatico 21 integrato
			216ó 223	Automatico 22 integrato
	224ó 231	Automatico 23 integrato		
	232ó 239	Automatico 24 integrato		
	240ó 247	Automatico 25 integrato (automatici 1-24 integrati)		
	248ó 255	Modalità di controllo sonoro integrata		
	10	Velocità brandeggio integrata	000ó 255	Da veloce a lenta

Assegnazioni DMX (continua)

33CH	Canale	Funzione	Valore	Percentuale/Impostazione
	11	Dimmer Rosso testa 1	000ó 255	0-100%
	12	Dimmer Verde testa 1	000ó 255	0-100%
	13	Dimmer Blu testa 1	000ó 255	0-100%
	14	Dimmer Bianco testa 1	000ó 055	0-100%
	15	Dimmer Rosso testa 2	000ó 255	0-100%
	16	Dimmer Verde testa 2	000ó 255	0-100%
	17	Dimmer Blu testa 2	000ó 255	0-100%
	18	Dimmer Bianco testa 2	000ó 255	0-100%
	19	Dimmer Rosso testa 3	000ó 255	0-100%
	20	Dimmer Verde testa 3	000ó 255	0-100%
	21	Dimmer Blu testa 3	000ó 255	0-100%
	22	Dimmer Bianco testa 3	000ó 255	0-100%
	23	Dimmer Rosso testa 4	000ó 255	0-100%
	24	Dimmer Verde testa 4	000ó 255	0-100%
	25	Dimmer Blu testa 4	000ó 255	0-100%
	26	Dimmer Bianco testa 4	000ó 255	0-100%

Assegnazioni DMX (continua)

33CH	Canale	Funzione	Valore	Percentuale/Impostazione
			000ó 007	Nessuna funzione
			008ó 015	Colore 1
			016ó 023	Colore 2
			024ó 031	Colore 3
			032ó 039	Colore 4
			040ó 047	Colore 5
			048ó 055	Colore 6
			056ó 063	Colore 7
			064ó 071	Colore 8
			072ó 079	Colore 9
			080ó 087	Colore 10
			088ó 095	Colore 11
			096ó 103	Colore 12
			104ó 111	Colore 13
			112ó 119	Colore 14
			120ó 127	Colore 15
			128ó 179	Nessuna funzione
			180ó 201	Dissolvenza effetto arcobaleno in senso orario (da veloce a lenta)
			202ó 207	Stop
			208ó 229	Dissolvenza effetto arcobaleno in senso antiorario (da veloce a lenta)
			230ó 234	Nessuna funzione
			235ó 249	Cambio rapido (da veloce a lento)
			250ó 255	Colore ad attivazione sonora

27

Colori

Assegnazioni DMX (continua)

33CH	Canale	Funzione	Valore	Percentuale/Impostazione
			000ó 007	●●●●
			008ó 015	○●●●
			016ó 023	○○●●
			024ó 031	○○○●
			032ó 039	○○○○
			040ó 047	●○○○
			048ó 055	●●○○
			056ó 063	●●●○
			064ó 071	●●●●
			072ó 079	○○○○
			080ó 087	●○○○
			088ó 095	○●○○
			096ó 103	○○○●
			104ó 111	○○○●
			112ó 119	○○○○
28		Accensione/spegnimento teste	120ó 127	●●○○
			128ó 135	○●●○
			136ó 143	○○●●
			144ó 151	●○○●
			152ó 159	○○○○
			160ó 167	○●●●
			168ó 175	●○○●
			176ó 183	●●○●
			184ó 191	●●●○
			192ó 199	○○○○
			200ó 207	●●●●
			208ó 215	●●●●
			216ó 223	●●●●
			224ó 231	●●●●
			232ó 239	●●●●
			240ó 247	●●●●
			248ó 255	●●●●

Assegnazioni DMX (continua)

33CH	Canale	Funzione	Valore	Percentuale/Impostazione
			000◊ 015	Nessuna funzione
			016◊ 020	Programma 1
			021◊ 025	Programma 2
			026◊ 030	Programma 3
			031◊ 035	Programma 4
			036◊ 040	Programma 5
			041◊ 045	Programma 6
			046◊ 050	Programma 7
			051◊ 055	Programma 8
			056◊ 060	Programma 9
			061◊ 065	Programma 10
			066◊ 070	Programma 11
			071◊ 075	Programma 12
			076◊ 080	Programma 13
			081◊ 085	Programma 14
			086◊ 090	Programma 15
			091◊ 095	Programma 16
			096◊ 100	Programma 17
29		Programmi automatici	101◊ 105	Programma 18
			106◊ 110	Programma 19
			111◊ 115	Programma 20
			116◊ 120	Programma 21
			121◊ 125	Programma 22
			126◊ 130	Programma 23
			131◊ 135	Programma 24 (integrato per tutti)
			136◊ 140	Programma 25
			141◊ 145	Programma 26
			146◊ 150	Programma 27
			151◊ 155	Programma 28
			156◊ 160	Programma 29
			161◊ 165	Programma 30
			166◊ 170	Programma 31
			171◊ 175	Programma 32
			176◊ 180	Programma 33
			181◊ 185	Programma 34
			186◊ 190	Programma 35
			191◊ 195	Programma 36

Assegnazioni DMX (continua)

33CH	Canale	Funzione	Valore	Percentuale/Impostazione
29		Programmi Auto (cont.)	196ó 200	Programma 37
			201ó 205	Programma 38
			206ó 210	Programma 39
			211ó 215	Programma 40
			216ó 220	Programma 41
			221ó 225	Programma 42
			226ó 230	Programma 43
			231ó 235	Programma 44
			236ó 240	Programma 45
			241ó 245	Programma 46
			246ó 250	Programma 47
			251ó 255	Programma 48 (integrato per tutti)
30		Velocità programma	000ó 255	Da lento a veloce
31		Dimmer per tutte le teste	000ó 255	0–100%
32		Programmi otturatore	000ó 019	Off
			020ó 024	On
			025ó 064	Otturatore 1 aperto/chiuso (da veloce a lento)
			065ó 069	On
			070ó 084	Otturatore 2: apertura rapida / chiusura lenta (da veloce a lento)
			085ó 089	On
			090ó 104	Otturatore 3: apertura lenta / chiusura rapida (da veloce a lento)
			105ó 109	On
			110ó 124	Otturatore 4: casuale (da veloce a lento)
			125ó 129	On
			130ó 144	Otturatore 5: casuale con apertura rapida / chiusura lenta (da veloce a lento)
			145ó 149	On
			150ó 164	Otturatore 6: casuale con apertura lenta / chiusura rapida (da veloce a lento)
			165ó 169	On
			170ó 184	Otturatore 7: a impulso (da veloce a lento)
			185ó 189	On
			190ó 204	Otturatore 8: a impulso casuale (da veloce a lento)
			205ó 209	On
			210ó 224	Otturatore 9: apertura e chiusura graduale
			225ó 229	On
230ó 244	Otturatore 10: a impulso (da veloce a lento)			
245ó 255	On			

Assegnazioni DMX (continua)

33CH	Canale	Funzione	Valore	Percentuale/Impostazione
			000ó 009	Nessuna funzione
			010ó 014	Move-in-black
			015ó 019	Annulla Move-in-black
			020ó 024	Macro indipendenti: cancella le combinazioni macro delle unità riportate di seguito
			025ó 029	Macro utilizzate quando si collegano due teste: questo è il valore della prima testa
			030ó 034	Macro utilizzate quando si collegano due teste: questo è il valore della seconda testa
			035ó 039	Macro utilizzate quando si collegano quattro teste: questo è il valore della prima testa
			040ó 044	Macro utilizzate quando si collegano quattro teste: questo è il valore della seconda testa
			045ó 049	Macro utilizzate quando si collegano quattro teste: questo è il valore della terza testa
			050ó 054	Macro utilizzate quando si collegano quattro teste: questo è il valore della quarta testa
		Impostazioni (Impostare questi valori prima di impostare gli altri canali DMX. Le impostazioni saranno attive con un ritardo di 10 secondi)	055ó 059	Reimpostazione rotazione
			060ó 064	Reimpostazione brandeggio
			065ó 069	Per utilizzo futuro
			070ó 074	Reimpostazione generale
			075ó 079	Per utilizzo futuro
			080ó 084	Inversione rotazione/brandeggio
			085ó 089	Inversione rotazione
			090ó 094	Inversione brandeggio
			095ó 099	Annulla inversione rotazione
			100ó 104	Annulla brandeggio inverso
			105ó 109	Annulla inversione rotazione/brandeggio
			110ó 114	Per utilizzo futuro
			115ó 119	Controlla tutte le teste con i canali della testa 1
			120ó 124	Annulla il controllo di tutte le teste con i canali della testa 1
			125ó 129	Per utilizzo futuro
			130ó 134	Per utilizzo futuro
			135ó 139	Per utilizzo futuro
			140ó 144	Per utilizzo futuro
			145ó 255	Nessuna funzione

Assegnazioni DMX (continua)

17CH	Canale	Funzione	Valore	Percentuale/Impostazione
	1	Rotazione	000 ó 255	Rotazione 0–540°
	2	Rotazione a 16-bit	000 ó 255	Rotazione a 16-bit
	3	Velocità rotazione	000 ó 255	Velocità rotazione (decrescente)
	4	Rotazione continua	000	Nessuna funzione
			001 ó 127	Rotazione continua a velocità crescente
			128 ó 255	Rotazione continua a velocità decrescente
	5	Brandeggio testa 1	000 ó 255	0–270°
	6	Brandeggio testa 2	000 ó 255	0–270°
	7	Brandeggio testa 3	000 ó 255	0–270°
	8	Brandeggio testa 4	000 ó 255	0–270°
	9	Brandeggio automatico integrato	000 ó 047	Nessuna funzione
			048 ó 055	Automatico 1 integrato
			056 ó 063	Automatico 2 integrato
			064 ó 071	Automatico 3 integrato
			072 ó 079	Automatico 4 integrato
			080 ó 087	Automatico 5 integrato
			088 ó 095	Automatico 6 integrato
			096 ó 103	Automatico 7 integrato
			104 ó 111	Automatico 8 integrato
			112 ó 119	Automatico 9 integrato
			120 ó 127	Automatico 10 integrato
			128 ó 135	Automatico 11 integrato
			136 ó 143	Automatico 12 integrato
			144 ó 151	Automatico 13 integrato
			152 ó 159	Automatico 14 integrato
			160 ó 167	Automatico 15 integrato
			168 ó 175	Automatico 16 integrato
			176 ó 183	Automatico 17 integrato
			184 ó 191	Automatico 18 integrato
			192 ó 199	Automatico 19 integrato
	200 ó 207	Automatico 20 integrato		

Assegnazioni DMX (continua)

17CH (cont.)	Canale	Funzione	Valore	Percentuale/Impostazione
9 (cont.)		Brandeggio automatico integrato (cont.)	208ó 215	Automatico 21 integrato
			216ó 223	Automatico 22 integrato
			224ó 231	Automatico 23 integrato
			232ó 239	Automatico 24 integrato
			240ó 247	Automatico 25 integrato (automatici 1-24 integrati)
			248ó 255	Modalità di controllo sonoro integrata
10		Velocità brandeggio integrata	000ó 255	Da veloce a lenta
11		Colori	000ó 007	Nessuna funzione
			008ó 015	Colore 1
			016ó 023	Colore 2
			024ó 031	Colore 3
			032ó 039	Colore 4
			040ó 047	Colore 5
			048ó 055	Colore 6
			056ó 063	Colore 7
			064ó 071	Colore 8
			072ó 079	Colore 9
			080ó 087	Colore 10
			088ó 095	Colore 11
			096ó 103	Colore 12
			104ó 111	Colore 13
			112ó 119	Colore 14
			120ó 127	Colore 15
			128ó 179	Nessuna funzione
			180ó 201	Dissolvenza effetto arcobaleno in senso orario (da veloce a lenta)
			202ó 207	Stop
			208ó 229	Dissolvenza effetto arcobaleno in senso antiorario (da veloce a lenta)
230ó 234	Nessuna funzione			
235ó 249	Cambio rapido (da veloce a lento)			
250ó 255	Colore ad attivazione sonora			

Assegnazioni DMX (continua)

17CH	Canale	Funzione	Valore	Percentuale/Impostazione
			000ó 007	●●●●
			008ó 015	○●●●
			016ó 023	○○●●
			024ó 031	○○○●
			032ó 039	○○○○
			040ó 047	●○○○
			048ó 055	●●○○
			056ó 063	●●●○
			064ó 071	●●●●
			072ó 079	○○○○
			080ó 087	●○○○
			088ó 095	○●○○
			096ó 103	○○○●
			104ó 111	○○○●
			112ó 119	○○○○
12		Accensione/spegnimento teste	120ó 127	●●○○
			128ó 135	○●●○
			136ó 143	○○●●
			144ó 151	●○○●
			152ó 159	○○○○
			160ó 167	○●●●
			168ó 175	●○○●
			176ó 183	●●○●
			184ó 191	●●●○
			192ó 199	○○○○
			200ó 207	●●●●
			208ó 215	●●●●
			216ó 223	●●●●
			224ó 231	●●●●
			232ó 239	●●●●
			240ó 247	●●●●
			248ó 255	●●●●

Assegnazioni DMX (continua)

17CH	Canale	Funzione	Valore	Percentuale/Impostazione
			000◊ 015	Nessuna funzione
			016◊ 020	Programma 1
			021◊ 025	Programma 2
			026◊ 030	Programma 3
			031◊ 035	Programma 4
			036◊ 040	Programma 5
			041◊ 045	Programma 6
			046◊ 050	Programma 7
			051◊ 055	Programma 8
			056◊ 060	Programma 9
			061◊ 065	Programma 10
			066◊ 070	Programma 11
			071◊ 075	Programma 12
			076◊ 080	Programma 13
			081◊ 085	Programma 14
			086◊ 090	Programma 15
			091◊ 095	Programma 16
			096◊ 100	Programma 17
			101◊ 105	Programma 18
			106◊ 110	Programma 19
			111◊ 115	Programma 20
			116◊ 120	Programma 21
			121◊ 125	Programma 22
			126◊ 130	Programma 23
			131◊ 135	Programma 24 (integrato per tutti)
			136◊ 140	Programma 25
			141◊ 145	Programma 26
			146◊ 150	Programma 27
			151◊ 155	Programma 28
			156◊ 160	Programma 29
			161◊ 165	Programma 30
			166◊ 170	Programma 31
			171◊ 175	Programma 32

13

**Programmi
automatici**

Assegnazioni DMX (continua)

17CH	Canale	Funzione	Valore	Percentuale/Impostazione
13 (cont.)		Programmi automatici (cont.)	176ó 180	Programma 33
			181ó 185	Programma 34
			186ó 190	Programma 35
			191ó 195	Programma 36
			196ó 200	Programma 37
			201ó 205	Programma 38
			206ó 210	Programma 39
			211ó 215	Programma 40
			216ó 220	Programma 41
			221ó 225	Programma 42
			226ó 230	Programma 43
			231ó 235	Programma 44
			236ó 240	Programma 45
			241ó 245	Programma 46
			246ó 250	Programma 47
	251ó 255	Programma 48 (integrato per tutti)		
14		Velocità programma	000ó 255	Da lento a veloce
15		Dimmer per tutte le teste	000ó 255	0–100%

Assegnazioni DMX (continua)

17CH	Canale	Funzione	Valore	Percentuale/Impostazione
			000ó 019	Off
			020ó 024	On
			025ó 064	Otturatore 1 aperto/chiuso (da veloce a lento)
			065ó 069	On
			070ó 084	Otturatore 2: apertura rapida / chiusura lenta (da veloce a lento)
			085ó 089	On
			090ó 104	Otturatore 3: apertura lenta / chiusura rapida (da veloce a lento)
			105ó 109	On
			110ó 124	Otturatore 4: casuale (da veloce a lento)
			125ó 129	On
			130ó 144	Otturatore 5: casuale con apertura rapida / chiusura lenta (da veloce a lento)
16		Programmi otturatore	145ó 149	On
			150ó 164	Otturatore 6: casuale con apertura lenta / chiusura rapida (da veloce a lento)
			165ó 169	On
			170ó 184	Otturatore 7: a impulso (da veloce a lento)
			185ó 189	On
			190ó 204	Otturatore 8: a impulso casuale (da veloce a lento)
			205ó 209	On
			210ó 224	Otturatore 9: apertura e chiusura graduale (da veloce a lento)
			225ó 229	On
			230ó 244	Otturatore 10: a impulso (da veloce a lento)
			245ó 255	On

Assegnazioni DMX (continua)

17CH	Canale	Funzione	Valore	Percentuale/Impostazione
17		Impostazioni (Impostare questi valori prima di impostare gli altri canali DMX. Le impostazioni saranno attive con un ritardo di 10 secondi)	000 009	Nessuna funzione
			010 014	Move-in-black
			015 019	Annulla Move-in-black
			020 024	Macro indipendenti: cancella le combinazioni macro delle unità riportate di seguito
			025 029	Macro utilizzate quando si collegano due teste: questo è il valore della prima testa
			030 034	Macro utilizzate quando si collegano due teste: questo è il valore della seconda testa
			035 039	Macro utilizzate quando si collegano quattro teste: questo è il valore della prima testa
			040 044	Macro utilizzate quando si collegano quattro teste: questo è il valore della seconda testa
			045 049	Macro utilizzate quando si collegano quattro teste: questo è il valore della terza testa
			050 054	Macro utilizzate quando si collegano quattro teste: questo è il valore della quarta testa
			055 059	Reimpostazione rotazione
			060 064	Reimpostazione brandeggio
			065 069	Per utilizzo futuro
			070 074	Reimpostazione generale
			075 079	Per utilizzo futuro
			080 084	Inversione rotazione/brandeggio
			085 089	Inversione rotazione
			090 094	Inversione brandeggio
			095 099	Annulla inversione rotazione
			100 104	Annulla brandeggio inverso
			105 109	Annulla inversione rotazione/brandeggio
			110 114	Per utilizzo futuro
			115 119	Controlla tutte le teste con i canali della testa 1
			120 124	Annulla il controllo di tutte le teste con i canali della testa 1
			125 129	Per utilizzo futuro
			130 134	Per utilizzo futuro
			135 139	Per utilizzo futuro
			140 144	Per utilizzo futuro
			145 255	Nessuna funzione

Over Deze Handleiding De Intimidator Wave 360 IRC Beknopte Handleiding (BH) bevat basisinformatie over het product, zoals montage, menu-opties, en de DMX waarden. Voor meer informatie, download de handleiding van de Chauvet website: <http://www.chauvetlighting.com>.

Disclaimer De informatie en specificaties in deze BH kunnen zonder voorafgaande kennisgeving worden gewijzigd.

Veiligheidsinstructies De volgende veiligheidsinstructies bevatten belangrijke informatie over de installatie, het gebruik en het onderhoud.



- Sluit het product altijd aan op een geaard circuit.
- Zorg ervoor dat de stroomkabel niet gesmolten of beschadigd is.
- Haal altijd de stekker van het product uit het stopcontact voordat u het reinigt of voor het vervangen van de zekering.
- Maak het product nooit van het stopcontact los door aan het snoer te rukken of te trekken.
- Zorg ervoor dat er geen brandbare materialen in de buurt van het product zijn wanneer het in werking is.
- Vermijd rechtstreekse blootstelling van de ogen aan de lichtbron terwijl het apparaat is ingeschakeld.
- Raak de behuizing van het product niet aan wanneer het in werking is, omdat de behuizing zeer heet kan zijn.



- Het product is niet bedoeld voor permanente installatie.
- Het product is alleen voor gebruik binnenshuis. Het heeft een vermogen van IP20.
- Stel het product niet bloot aan regen of vocht.
- Sluit het product altijd aan op een stroombron die binnen het bereik van het voltage vermeld op het etiket of de achterzijde van het product ligt.
- Sluit het product nooit aan op een dimmer of een regelbare weerstand.
- Zorg ervoor de zekering te vervangen door een andere van hetzelfde type.
- Installeer het product altijd op een plaats met voldoende ventilatie.
- Laat altijd minstens 20 inch (50 cm) ruimte tussen het product en de aangrenzende oppervlakken.
- Zorg ervoor dat er geen ventilatie-openingen van de behuizing van het product worden geblokkeerd.
- Gebruik het product niet bij een omgevingstemperatuur hoger dan 104 °F (40 °C).
- Draag het product nooit aan het snoer.
- Als er een ernstige operationele problemen zijn, stop dan onmiddellijk met het gebruik van het product.
- Probeer nooit om het product te repareren. Reparaties uitgevoerd door ongetrainde personen kunnen leiden tot schade of storingen.
- Sluit om onnodige slijtage te verhinderen en de levensduur te verlengen tijdens periodes van niet-gebruik het product via stroomonderbreker of de stekker volledig van stroom af.

- Contact** · Van buiten de VS, Verenigd Koninkrijk, Ierland, Mexico of Benelux kunt u contact opnemen met de distributeur of om ondersteuning vragen dan wel het product retourneren.
- Maak vanuit de VS, het VK, Ierland, Mexico of Benelux gebruik van de informatie onder [Neem Contact Us](#) ons op aan het einde van deze BH.

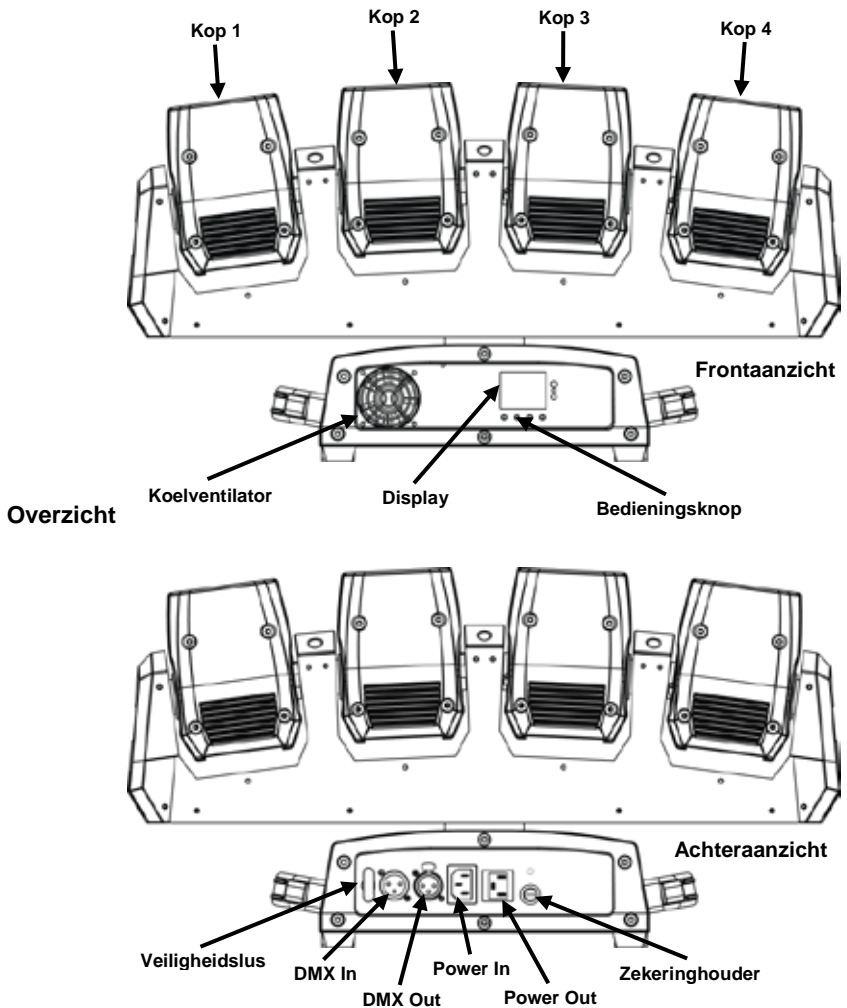
- Wat is inbegrepen**
- Intimidator™ Wave 360 IRC
 - Ophangbeugel met bevestigingsmateriaal
 - Stroomkabel
 - Garantiekaart
 - Beknopte Handleiding

Om te beginnen Pak de Intimidator™ Wave 360 IRC zorgvuldig uit en controleer of alle onderdelen in de verpakking in goede staat zijn.

Als de doos, of een deel van de inhoud beschadigd lijkt te zijn door transport of andere tekenen van verkeerd gebruik vertoont, bewaar dan alle verpakkingsmateriaal en dien onmiddellijk een schadeclaim in bij de vervoerder, niet bij Chauvet. Het niet onmiddellijk rapporteren van schade bij de vervoerder, dan wel het niet alle verpakkingen beschikbaar houden voor inspectie, kan uw claim ongeldig maken.

Dien voor andere problemen, zoals ontbrekende onderdelen of delen, schade niet gerelateerd aan transport, of verborgen schade, een schadeclaim in bij Chauvet binnen de 7 dagen na levering. Voor informatie over contactopname met Chauvet, zie [Neem Contact Us](#) aan het einde van deze BH.

Beschrijving De Intimidator™ Wave 360 IRC is een bewegende lichtserie met 4 onafhankelijk geregelde, bewegende koppen op een continu roterende basis voor scherpe, krachtige, kleur-veranderlijke stralen. Master-/Slave-modus maakt het eenvoudig om gecoördineerde lichtshows te genereren. Het is actief in Standalone, Sound, en DMX-modi. Werkt met de (optionele) IRC-6 afstandsbediening voor handige, draadloze bediening tot op 15 meter afstand.



AC Voeding Dit product heeft een auto-ranging voeding die kan werken met een ingangsspanning van 100 ~ 240 VAC, 50/60 H



Sluit om onnodige slijtage te verhinderen en de levensduur te verlengen tijdens periodes van niet-gebruik het product via stroomonderbreker of de stekker volledig van stroom af.

Power Linking Power linking vindt plaats wanneer producten aan elkaar zijn gekoppeld via Power In en Power Out-aansluitingen, zodat meerdere producten kunnen worden gevoed door een enkel stopcontact.

Voor het maximum aantal Intimidator™ Wave 360 IRC producten die kunnen worden gekoppeld aan 120 V of 240 V, zie de Gebruikershandleiding of het etiket op het product. De Gebruikershandleiding is beschikbaar op de Chauvet website: <http://www.chauvetlighting.com>.

Vervangen van de Zekering

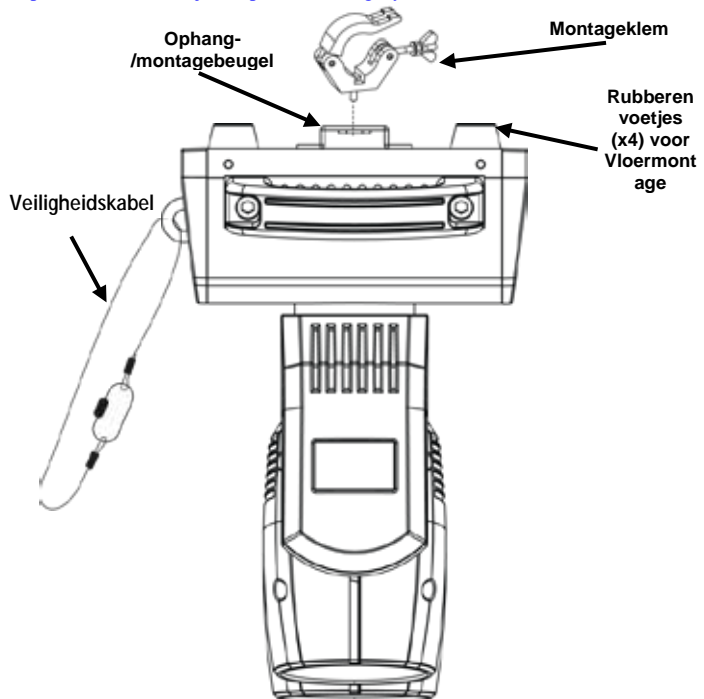
1. Ontkoppel het apparaat van de stroom.
2. Met een schroevendraaier, draai de zekering houder dop van de behuizing.
3. Druk de veiligheidsafdekking uit de behuizing.
4. Verwijder de doorgebrande zekering vanaf de clip aan de voorkant van de veiligheidsafdekking en vervang deze door een zekering van exact hetzelfde type.
5. Plaats de zekeringhouder terug en steek de stekker er weer in.



Ontkoppel het product van de stroom uit voordat u de zekering vervangt.

Montage

Voor de montage van dit product, lees de [Safety Notes](#). Gebruik een of twee bevestigingspunten en een veiligheidskabel per product. Controleer de bevestigingsklemmen kunnen het gewicht van het product. Voor de Chauvet lijn van bevestigingsklemmen, ga dan naar de Chauvet website <https://www.chauvetdj.com/products/category/accessories/>.



Montagediagram



Bij het gebruik van slechts één montageklem moet u een klem gebruiken met een penschiettoestel om per ongeluk losraken te voorkomen.

Configuratiescherm Beschrijving	Toets	Functie
	<MENU>	Uitgangen van het huidige menu of functie
	<UP>	Navigeert omhoog via het menu of verhoogt de numerieke waarde wanneer in een functie
	<DOWN>	Navigeert omlaag via het menu of verlaagt de numerieke waarde wanneer in een functie
	<ENTER>	Activeert het huidige getoonde menu of plaatst de huidige geselecteerde waarde in de geselecteerde functie

Menu Kaart

Hoofdniveau	Programmeerniveaus		Beschrijving
Address	001-512		Stelt DMX startadres in
Run Mode	DMX	17CH	Stelt DMX individueel in
		33CH	
	Auto	Auto01-Auto16	Stelt een autoprogramma in
	Sound		Stelt Sound-modus in
	Slave	S-1-S-4	Stelt een Slave-modus in
	IR		Stelt infrarood in
Setup	Mast Set	M-1-M-4	Stelt een Master-modus in of M-1, M-2 of M-4
	Pan Reverse	ON	Stelt omgekeerde draairichting in
		OFF	
	Tilt Reverse	ON	Stelt omgekeerde kantelrichting in
		OFF	
	Pan Angle	540	Stelt draaihoekbereik in
		360	
		180	
	Tilt Angle	90	Stelt kantelhoekbereik in
		180	
		270	
	Display	ON	Stelt display blackout in
		OFF	
	Screen Reverse	ON	Stelt schermoriëntatie in
		OFF	
Dimmer Curve	Linear	Stelt de dimmer curve modus in	
	SCurve		
	I Square		
	Square		
Dimmer Speed	Smooth	Stelt de dimmer snelheidsmodus in	
	Fast		
Sensitivity	1-100	Stelt geluidsgevoeligheid in	
Reset			Reset alle basisinstellingen motor
Factory Reset			Reset naar fabrieksinstellingen

Menu Kaart (vervolgd)

Hoofdniveau	Programmeerniveaus	Beschrijving
System Info	Ver XX	Toont software versie
	Running Mode XXXXX	Toont de huidige bedrijfsmodus
	DMX Address XXX	Toont de huidige DMX-adres

IRC-6 (Infrarood Afstandsbediening) De Intimidator™ Wave 360 IRC is compatibel met de IRC-6 van Chauvet. De volgende IRC-6 toetsen worden gebruikt met de Intimidator™ Wave 360 IRC:

- <BLACKOUT>, <A>, <UV>, <W> - Schakelt led aan/uit
- <AUTO>, <0> thru <9> - Selecteert Auto programma modus (1-16)
- <SOUND> - Selecteert Sound modus
- <STROBE> - Stroboscoop (0–20 Hz)
- <SPEED> - Auto programma snelheid
- <SENSITIVITY> - Stelt geluidsgevoeligheid in
- <%> - Dimmer
- <FADE> - een keer drukken voor Fade niveau, twee keer voor Snap niveau
- <+> and <-> - toenemen en afnemen
- <MANUAL> - Stelt witte kleurniveau in
- <R> - Stelt rode kleurniveau in
- <G> - Stelt groene kleurniveau in
- - Stelt blauwe kleurniveau in

DMX Linking De Intimidator Wave 360 IRC werkt met een DMX-controller. Informatie over de configuratie van de Intimidator Wave 360 IRC voor bediening via DMX staat in de Gebruikershandleiding, die beschikbaar is op de Chauvet website onder <http://www.chauvetlighting.com>. Informatie over DMX staat in het c DMX Basishandboek, dat beschikbaar is op de Chauvet website onder <https://www.chauvetdj.com/downloads/>.

Startadres Om volledige toegang tot alle kanalen in elke DMX modus te garanderen is het hoogste aanbevolen DMX-adres voor dit product **480**.

Master/Slave Aansluiting De Intimidator Wave 360 IRC werkt in Master/Slave modus. Meer informatie over het configureren Intimidator Wave 360 IRC voor de Master/Slave-werking is in de Gebruikershandleiding, die beschikbaar is van de Chauvet website <http://www.chauvetlighting.com>.

DMX Toewijzingen

33CH	Kanaal	Functie	Waarde	Percentage/instelling
	1	Draaien	000 ó 255	Draaien 0–540°
	2	Draaien 16-bit	000 ó 255	Draaien 16-bit
	3	Draaien Snelheid	000 ó 255	Draaien Snelheid (snelheid neemt af)
	4	Continue Draairotatie	000	Geen functie
			001 ó 127	Continue draairotatie met toenemende snelheid
			128 ó 255	Continue draairotatie met toenemende snelheid
	5	Kop 1 Kantelen	000 ó 255	0–270°
	6	Kop 2 Kantelen	000 ó 255	0–270°

DMX Toewijzingen (vervolgd)

33CH	Kanaal	Functie	Waarde	Percentage/instelling
	7	Kop 3 Kantelen	000ó 255	0–270°
	8	Kop 4 Kantelen	000ó 255	0–270°
	9	Ingebouwde Auto Kantelfunctie	000ó 047	Geen functie
			048ó 055	Ingebouwde Auto 1
			056ó 063	Ingebouwde Auto 2
			064ó 071	Ingebouwde Auto 3
			072ó 079	Ingebouwde Auto 4
			080ó 087	Ingebouwde Auto 5
			088ó 095	Ingebouwde Auto 6
			096ó 103	Ingebouwde Auto 7
			104ó 111	Ingebouwde Auto 8
			112ó 119	Ingebouwde Auto 9
			120ó 127	Ingebouwde Auto 10
			128ó 135	Ingebouwde Auto 11
			136ó 143	Ingebouwde Auto 12
			144ó 151	Ingebouwde Auto 13
			152ó 159	Ingebouwde Auto 14
			160ó 167	Ingebouwde Auto 15
			168ó 175	Ingebouwde Auto 16
			176ó 183	Ingebouwde Auto 17
			184ó 191	Ingebouwde Auto 18
			192ó 199	Ingebouwde Auto 19
	200ó 207	Ingebouwde Auto 20		
	208ó 215	Ingebouwde Auto 21		
	216ó 223	Ingebouwde Auto 22		
	224ó 231	Ingebouwde Auto 23		
	232ó 239	Ingebouwde Auto 24		
	240ó 247	Ingebouwde Auto 25 (Ingebouwde Auto 1-24)		
	248ó 255	Ingebouwde Sound Bediening Modus		
	10	Kantelen Ingebouwde Snelheid	000ó 255	Snel naar Langzaam

DMX Toewijzingen (vervolgd)

33CH	Kanaal	Functie	Waarde	Percentage/instelling
11	Kop 1 Rode Dimmer	Kop 1 Rode Dimmer	000ó 255	0–100%
12	Kop 1 Groene Dimmer	Kop 1 Groene Dimmer	000ó 255	0–100%
13	Kop 1 Blauwe Dimmer	Kop 1 Blauwe Dimmer	000ó 255	0–100%
14	Kop 1 Witte Dimmer	Kop 1 Witte Dimmer	000ó 055	0–100%
15	Kop 2 Rode Dimmer	Kop 2 Rode Dimmer	000ó 255	0–100%
16	Kop 2 Groene Dimmer	Kop 2 Groene Dimmer	000ó 255	0–100%
17	Kop 2 Blauwe Dimmer	Kop 2 Blauwe Dimmer	000ó 255	0–100%
18	Kop 2 Witte Dimmer	Kop 2 Witte Dimmer	000ó 255	0–100%
19	Kop 3 Rode Dimmer	Kop 3 Rode Dimmer	000ó 255	0–100%
20	Kop 3 Groene Dimmer	Kop 3 Groene Dimmer	000ó 255	0–100%
21	Kop 3 Blauwe Dimmer	Kop 3 Blauwe Dimmer	000ó 255	0–100%
22	Kop 3 Witte Dimmer	Kop 3 Witte Dimmer	000ó 255	0–100%
23	Kop 4 Rode Dimmer	Kop 4 Rode Dimmer	000ó 255	0–100%
24	Kop 4 Groene Dimmer	Kop 4 Groene Dimmer	000ó 255	0–100%
25	Kop 4 Blauwe Dimmer	Kop 4 Blauwe Dimmer	000ó 255	0–100%
26	Kop 4 Witte Dimmer	Kop 4 Witte Dimmer	000ó 255	0–100%

DMX Toewijzingen (vervolgd)

33CH	Kanaal	Functie	Waarde	Percentage/instelling
			000ó007	Geen functie
			008ó015	Kleur 1
			016ó023	Kleur 2
			024ó031	Kleur 3
			032ó039	Kleur 4
			040ó047	Kleur 5
			048ó055	Kleur 6
			056ó063	Kleur 7
			064ó071	Kleur 8
			072ó079	Kleur 9
			080ó087	Kleur 10
			088ó095	Kleur 11
			096ó103	Kleur 12
			104ó111	Kleur 13
			112ó119	Kleur 14
			120ó127	Kleur 15
			128ó179	Geen Functie
			180ó201	Fade regenboog met klok mee (snelheid snel naar langzaam)
			202ó207	Stop
			208ó229	Fade regenboog tegen klok in (snelheid snel naar langzaam)
			230ó234	Geen Functie
			235ó249	Snap wissel (snelheid snel naar langzaam)
			250ó255	Geluid kleur
	27	Kleuren		

DMX Toewijzingen (vervolgd)

33CH	Kanaal	Functie	Waarde	Percentage/instelling
			000ó 007	●●●●
			008ó 015	○●●●
			016ó 023	○○●●
			024ó 031	○○○●
			032ó 039	○○○○
			040ó 047	●○○○
			048ó 055	●●○○
			056ó 063	●●●○
			064ó 071	●●●●
			072ó 079	○○○○
			080ó 087	●○○○
			088ó 095	○●○○
			096ó 103	○○○●
			104ó 111	○○○●
			112ó 119	○○○○
28		Koppen Aan/Uit	120ó 127	●●○○
			128ó 135	○●●○
			136ó 143	○○●●
			144ó 151	●○○●
			152ó 159	○○○○
			160ó 167	○●●●
			168ó 175	●○○●
			176ó 183	●●○●
			184ó 191	●●●○
			192ó 199	○○○○
			200ó 207	●●●●
			208ó 215	●●●●
			216ó 223	●●●●
			224ó 231	●●●●
			232ó 239	●●●●
			240ó 247	●●●●
			248ó 255	●●●●

DMX Toewijzingen (vervolgd)

33CH	Kanaal	Functie	Waarde	Percentage/instelling
			000ó 015	Geen functie
			016ó 020	Programma 1
			021ó 025	Programma 2
			026ó 030	Programma 3
			031ó 035	Programma 4
			036ó 040	Programma 5
			041ó 045	Programma 6
			046ó 050	Programma 7
			051ó 055	Programma 8
			056ó 060	Programma 9
			061ó 065	Programma 10
			066ó 070	Programma 11
			071ó 075	Programma 12
			076ó 080	Programma 13
			081ó 085	Programma 14
			086ó 090	Programma 15
			091ó 095	Programma 16
			096ó 100	Programma 17
			101ó 105	Programma 18
29		Auto Programma's	106ó 110	Programma 19
			111ó 115	Programma 20
			116ó 120	Programma 21
			121ó 125	Programma 22
			126ó 130	Programma 23
			131ó 135	Programma 24 (ingebouwd voor alle)
			136ó 140	Programma 25
			141ó 145	Programma 26
			146ó 150	Programma 27
			151ó 155	Programma 28
			156ó 160	Programma 29
			161ó 165	Programma 30
			166ó 170	Programma 31
			171ó 175	Programma 32
			176ó 180	Programma 33
			181ó 185	Programma 34
			186ó 190	Programma 35
			191ó 195	Programma 36
			196ó 200	Programma 37
			201ó 205	Programma 38

DMX Toewijzingen (vervolgd)

33CH	Kanaal	Functie	Waarde	Percentage/instelling
29 (vervolgd)		Auto Programma's (vervolgd)	206ó 210	Programma 39
			211ó 215	Programma 40
			216ó 220	Programma 41
			221ó 225	Programma 42
			226ó 230	Programma 43
			231ó 235	Programma 44
			236ó 240	Programma 45
			241ó 245	Programma 46
			246ó 250	Programma 47
		251ó 255	Programma 48 (ingebouwd voor alle)	
30		Programma Snelheid	000ó 255	Langzaam naar snel
31		Dimmer Alle Koppen	000ó 255	0–100%
32		Shutter Programs	000ó 019	Off
			020ó 024	On
			025ó 064	Sluiterijd 1 gelijk aan/gelijk uit (snel naar langzaam)
			065ó 069	On
			070ó 084	Sluiterijd 2 snel aan/langzaam uit (snel naar langzaam)
			085ó 089	On
			090ó 104	Sluiterijd 3 langzaam aan/snel uit
			105ó 109	On
			110ó 124	Sluiterijd 4 random sluiters (snel naar langzaam)
			125ó 129	On
			130ó 144	Sluiterijd 5 random sluiters snel aan/langzaam uit
			145ó 149	On
			150ó 164	Sluiterijd 6 random sluiters langzaam aan/snel uit (snel naar langzaam)
			165ó 169	On
			170ó 184	Sluiterijd 7 puls sluiters (snel naar langzaam)
			185ó 189	On
			190ó 204	Sluiterijd 8 random puls sluiters (snel naar langzaam)
			205ó 209	On
			210ó 224	Sluiterijd 9 aan en uit stapsgewijs (snel naar langzaam)
			225ó 229	On
230ó 244	Sluiterijd 10 puls sluiters (snel naar langzaam)			
245ó 255	On			

DMX Toewijzingen (vervolgd)

33CH	Kanaal	Functie	Waarde	Percentage/instelling
			000ó 009	Geen functie
			010ó 014	Move-in-zwart
			015ó 019	Annuleren move-in zwart
			020ó 024	Onafhankelijke macro's - annuleert macro product combinaties hieronder
			025ó 029	Macro's gebruikt bij het koppelen van 2 koppen: Dit is de waarde voor de eerste kop
			030ó 034	Macro's gebruikt bij het koppelen van 2 koppen samen: Dit is de waarde voor de tweede kop
			035ó 039	Macro's gebruikt bij het koppelen van 4 koppen samen: Dit is de waarde voor de eerste kop
			040ó 044	Macro's gebruikt bij het koppelen van 4 koppen samen: Dit is de waarde voor de tweede kop
			045ó 049	Macro's gebruikt bij het koppelen van 4 koppen samen: Dit is de waarde voor de derde kop
			050ó 054	Macro's gebruikt bij het koppelen van 4 koppen samen: Dit is de waarde voor de vierde kop
		Instellingen (Stel deze waarden in alvorens andere DMX-kanalen in te stellen. Er is een vertraging van 10 seconden voordat de instellingen van kracht worden)	055ó 059	Draaien Reset
			060ó 064	Kantelen Reset
			065ó 069	Gereserveerd voor toekomstig gebruik
			070ó 074	Reset alle
			075ó 079	Gereserveerd voor toekomstig gebruik
			080ó 084	Omgekeerde draai-/kantelrichting
			085ó 089	Omgekeerde draairichting
			090ó 094	Omgekeerde Kantelrichting
			095ó 099	Annuleren omgekeerde draairichting
			100ó 104	Annuleren omgekeerde kantelrichting
			105ó 109	Annuleren omgekeerde draai/kantelrichting
			110ó 114	Gereserveerd voor toekomstig gebruik
			115ó 119	Controleert alle koppen met kop 1 kanalen
			120ó 124	Annuleren bediening van alle koppen met kop 1 kanalen
			125ó 129	Gereserveerd voor toekomstig gebruik
			130ó 134	Gereserveerd voor toekomstig gebruik
			135ó 139	Gereserveerd voor toekomstig gebruik
			140ó 144	Gereserveerd voor toekomstig gebruik
			145ó 255	Geen functie

DMX Toewijzingen (vervolgd)

17CH	Kanaal	Functie	Waarde	Percentage/instelling
	1	Draaien	000 ó 255	Draaien 0–540°
	2	Draaien 16-bit	000 ó 255	Draaien 16-bit
	3	Draaien Snelheid	000 ó 255	Draaien Snelheid (snelheid neemt af)
	4	Continue Draairotatie	000	Geen functie
			001 ó 127	Continue kantelrotatie met toenemende snelheid
			128 ó 255	Continue kantelrotatie met afnemende snelheid
	5	Kop 1 Kantelen	000 ó 255	0–270°
	6	Kop 2 Kantelen	000 ó 255	0–270°
	7	Kop 3 Kantelen	000 ó 255	0–270°
	8	Kop 4 Kantelen	000 ó 255	0–270°
	9	Ingebouwde Auto Kantelfunctie	000 ó 047	Geen functie
			048 ó 055	Ingebouwde Auto 1
			056 ó 063	Ingebouwde Auto 2
			064 ó 071	Ingebouwde Auto 3
			072 ó 079	Ingebouwde Auto 4
			080 ó 087	Ingebouwde Auto 5
			088 ó 095	Ingebouwde Auto 6
			096 ó 103	Ingebouwde Auto 7
			104 ó 111	Ingebouwde Auto 8
			112 ó 119	Ingebouwde Auto 9
			120 ó 127	Ingebouwde Auto 10
			128 ó 135	Ingebouwde Auto 11
			136 ó 143	Ingebouwde Auto 12
			144 ó 151	Ingebouwde Auto 13
			152 ó 159	Ingebouwde Auto 14
			160 ó 167	Ingebouwde Auto 15
			168 ó 175	Ingebouwde Auto 16
			176 ó 183	Ingebouwde Auto 17
			184 ó 191	Ingebouwde Auto 18
			192 ó 199	Ingebouwde Auto 19
	200 ó 207	Ingebouwde Auto 20		

DMX Toewijzingen (vervolgd)

17CH (vervolgd)	Kanaal	Functie	Waarde	Percentage/instelling
9 (vervolgd)		Ingebouwde Auto Kantelfunctie (vervolgd)	208ó 215	Ingebouwde Auto 21
			216ó 223	Ingebouwde Auto 22
			224ó 231	Ingebouwde Auto 23
			232ó 239	Ingebouwde Auto 24
			240ó 247	Ingebouwde Auto 25 (Ingebouwde Auto 1-24)
			248ó 255	Ingebouwde Sound Bediening Modus
10		Kantelen Ingebouwde Snelheid	000ó 255	Snel naar Langzaam
11		Kleuren	000ó 007	Geen functie
			008ó 015	Kleur 1
			016ó 023	Kleur 2
			024ó 031	Kleur 3
			032ó 039	Kleur 4
			040ó 047	Kleur 5
			048ó 055	Kleur 6
			056ó 063	Kleur 7
			064ó 071	Kleur 8
			072ó 079	Kleur 9
			080ó 087	Kleur 10
			088ó 095	Kleur 11
			096ó 103	Kleur 12
			104ó 111	Kleur 13
			112ó 119	Kleur 14
			120ó 127	Kleur 15
			128ó 179	Geen functie
			180ó 201	Fade regenboog met klok mee (snelheid snel naar langzaam)
			202ó 207	Stop
			208ó 229	Fade regenboog tegen klok in (snelheid snel naar langzaam)
230ó 234	Geen functie			
235ó 249	Snap wissel (snelheid snel naar langzaam)			
250ó 255	Geluid kleur			

DMX Toewijzingen (vervolgd)

17CH	Kanaal	Functie	Waarde	Percentage/instelling
			000ó 007	●●●●
			008ó 015	○●●●
			016ó 023	○○●●
			024ó 031	○○○●
			032ó 039	○○○○
			040ó 047	●○○○
			048ó 055	●●○○
			056ó 063	●●●○
			064ó 071	●●●●
			072ó 079	○○○○
			080ó 087	●○○○
			088ó 095	○●○○
			096ó 103	○○○●
			104ó 111	○○○●
			112ó 119	○○○○
12		Koppen Aan/Uit	120ó 127	●●○○
			128ó 135	○●●○
			136ó 143	○○●●
			144ó 151	●○○●
			152ó 159	○○○○
			160ó 167	○●●●
			168ó 175	●○○●
			176ó 183	●●○●
			184ó 191	●●●○
			192ó 199	○○○○
			200ó 207	●●●●
			208ó 215	●●●●
			216ó 223	●●●●
			224ó 231	●●●●
			232ó 239	●●●●
			240ó 247	●●●●
			248ó 255	●●●●

DMX Toewijzingen (vervolgd)

17CH	Kanaal	Functie	Waarde	Percentage/instelling
			000ó 015	Geen functie
			016ó 020	Programma 1
			021ó 025	Programma 2
			026ó 030	Programma 3
			031ó 035	Programma 4
			036ó 040	Programma 5
			041ó 045	Programma 6
			046ó 050	Programma 7
			051ó 055	Programma 8
			056ó 060	Programma 9
			061ó 065	Programma 10
			066ó 070	Programma 11
			071ó 075	Programma 12
			076ó 080	Programma 13
			081ó 085	Programma 14
			086ó 090	Programma 15
13		Auto Programma's	091ó 095	Programma 16
			096ó 100	Programma 17
			101ó 105	Programma 18
			106ó 110	Programma 19
			111ó 115	Programma 20
			116ó 120	Programma 21
			121ó 125	Programma 22
			126ó 130	Programma 23
			131ó 135	Programma 24 (ingebouwd voor alle)
			136ó 140	Programma 25
			141ó 145	Programma 26
			146ó 150	Programma 27
			151ó 155	Programma 28
			156ó 160	Programma 29
			161ó 165	Programma 30
			166ó 170	Programma 31
			171ó 175	Programma 32

DMX Toewijzingen (vervolgd)

17CH	Kanaal	Functie	Waarde	Percentage/instelling
13 (vervolgd)		Auto Programma's (vervolgd)	176ó 180	Programma 33
			181ó 185	Programma 34
			186ó 190	Programma 35
			191ó 195	Programma 36
			196ó 200	Programma 37
			201ó 205	Programma 38
			206ó 210	Programma 39
			211ó 215	Programma 40
			216ó 220	Programma 41
			221ó 225	Programma 42
			226ó 230	Programma 43
			231ó 235	Programma 44
			236ó 240	Programma 45
			241ó 245	Programma 46
			246ó 250	Programma 47
	251ó 255	Programma 48 (ingebouwd voor alle)		
14		Programma Snelheid	000ó 255	Langzaam naar snel
15		Dimmer Alle Koppen	000ó 255	0–100%

DMX Toewijzingen (vervolgd)

17CH	Kanaal	Functie	Waarde	Percentage/instelling
			000ó 019	Off
			020ó 024	On
			025ó 064	Sluittijd 1 gelijk aan/gelijk uit (snel naar langzaam)
			065ó 069	On
			070ó 084	Sluittijd 2 snel aan/langzaam uit (snel naar langzaam)
			085ó 089	On
			090ó 104	Sluittijd 3 langzaam aan/snel uit (snel naar langzaam)
			105ó 109	On
			110ó 124	Sluittijd 4 random sluiters (snel naar langzaam)
			125ó 129	On
			130ó 144	Sluittijd 5 random sluiters snel aan/langzaam uit (snel naar langzaam)
			145ó 149	On
			150ó 164	Sluittijd 6 random sluiters langzaam aan/snel uit (snel naar langzaam)
			165ó 169	On
			170ó 184	Sluittijd 7 puls sluiters (snel naar langzaam)
			185ó 189	On
			190ó 204	Sluittijd 8 random puls sluiters (snel naar langzaam)
			205ó 209	On
			210ó 224	Sluittijd 9 aan en uit stapsgewijs (snel naar langzaam)
			225ó 229	On
			230ó 244	Sluittijd 10 puls sluiters (snel naar langzaam)
			245ó 255	On

16

**Sluiter
programma's**

DMX Toewijzingen (vervolgd)

17CH	Kanaal	Functie	Waarde	Percentage/instelling
			000ó 009	Geen functie
			010ó 014	Move-in-zwart
			015ó 019	Annuleren move-in zwart
			020ó 024	Onafhankelijke macro's - annuleert macro product combinaties hieronder
			025ó 029	Macro's gebruikt bij het koppelen van 2 koppen: Dit is de waarde voor de eerste kop
			030ó 034	Macro's gebruikt bij het koppelen van 2 koppen samen: Dit is de waarde voor de tweede kop
			035ó 039	Macro's gebruikt bij het koppelen van 4 koppen samen: Dit is de waarde voor de eerste kop
			040ó 044	Macro's gebruikt bij het koppelen van 4 koppen samen: Dit is de waarde voor de tweede kop
			045ó 049	Macro's gebruikt bij het koppelen van 4 koppen samen: Dit is de waarde voor de derde kop
			050ó 054	Macro's gebruikt bij het koppelen van 4 koppen samen: Dit is de waarde voor de vierde kop
17		Instellingen (Stel deze waarden in alvorens andere DMX-kanalen in te stellen. Er is een vertraging van 10 seconden voordat de instellingen van kracht worden)	055ó 059	Draaien Reset
	060ó 064		Kantelen Reset	
	065ó 069		Gereserveerd voor toekomstig gebruik	
	070ó 074		Reset alle	
	075ó 079		Gereserveerd voor toekomstig gebruik	
	080ó 084		Omgekeerde draai-/kantelrichting	
	085ó 089		Omgekeerde draairichting	
	090ó 094		Omgekeerde Kantelrichting	
	095ó 099		Annuleren omgekeerde draairichting	
	100ó 104		Annuleren omgekeerde kantelrichting	
	105ó 109		Annuleren omgekeerde draai/kantelrichting	
	110ó 114		Gereserveerd voor toekomstig gebruik	
	115ó 119		Controleert alle koppen met kop 1 kanalen	
	120ó 124		Annuleren bediening van alle koppen met kop 1 kanalen	
	125ó 129		Gereserveerd voor toekomstig gebruik	
	130ó 134		Gereserveerd voor toekomstig gebruik	
	135ó 139		Gereserveerd voor toekomstig gebruik	
	140ó 144		Gereserveerd voor toekomstig gebruik	
	145ó 255		Geen functie	

Contact Us WORLD HEADQUARTERS

General Information

Address: 5200 NW 108th Avenue
Sunrise, FL 33351
Voice: (954) 577-4455
Fax: (954) 929-5560
Toll free:(800) 762-1084

Technical Support

Voice: (844) 393-7575
Fax: (954) 756-8015
Email: Chauvetcs@chauvetlighting.com

World Wide Web

www.chauvetlighting.com

EUROPE

General Information

Address: Stokstraat 18
9770 Kruishoutem
Belgium
Voice: +32 9 388 93 97

Technical Support

Email: Eutech@chauvetlighting.eu

World Wide Web

www.chauvetlighting.eu

General Information

Address: Unit 1C
Brookhill Road Industrial Estate
Pinxton, Nottingham, UK
NG16 6NT
Voice: +44 (0)1773 511115
Fax: +44 (0)1773 511110

Technical Support

Email: uktech@chauvetlighting.com

World Wide Web

www.chauvetlighting.co.uk

MEXICO

General Information

Address: Av. de las Partidas 34, 3-B
Zona Industrial Lerma
Lerma, Mexico C.P. 52000
Voice: +52 (728) 690-2010

Technical Support

Email: servicio@chauvet.com.mx

World Wide Web

www.chauvet.com.mx

Visit the applicable website above to verify our contact information and instruction to request support. Outside the U.S., United Kingdom, Ireland, Mexico, or Benelux, contact the dealer of record.

Intimidator Wave 360 IRC QRG Rev. 3 ML6

© Copyright 2017 Chauvet

All rights reserved.

Printed in the P. R. C.



RoHS

