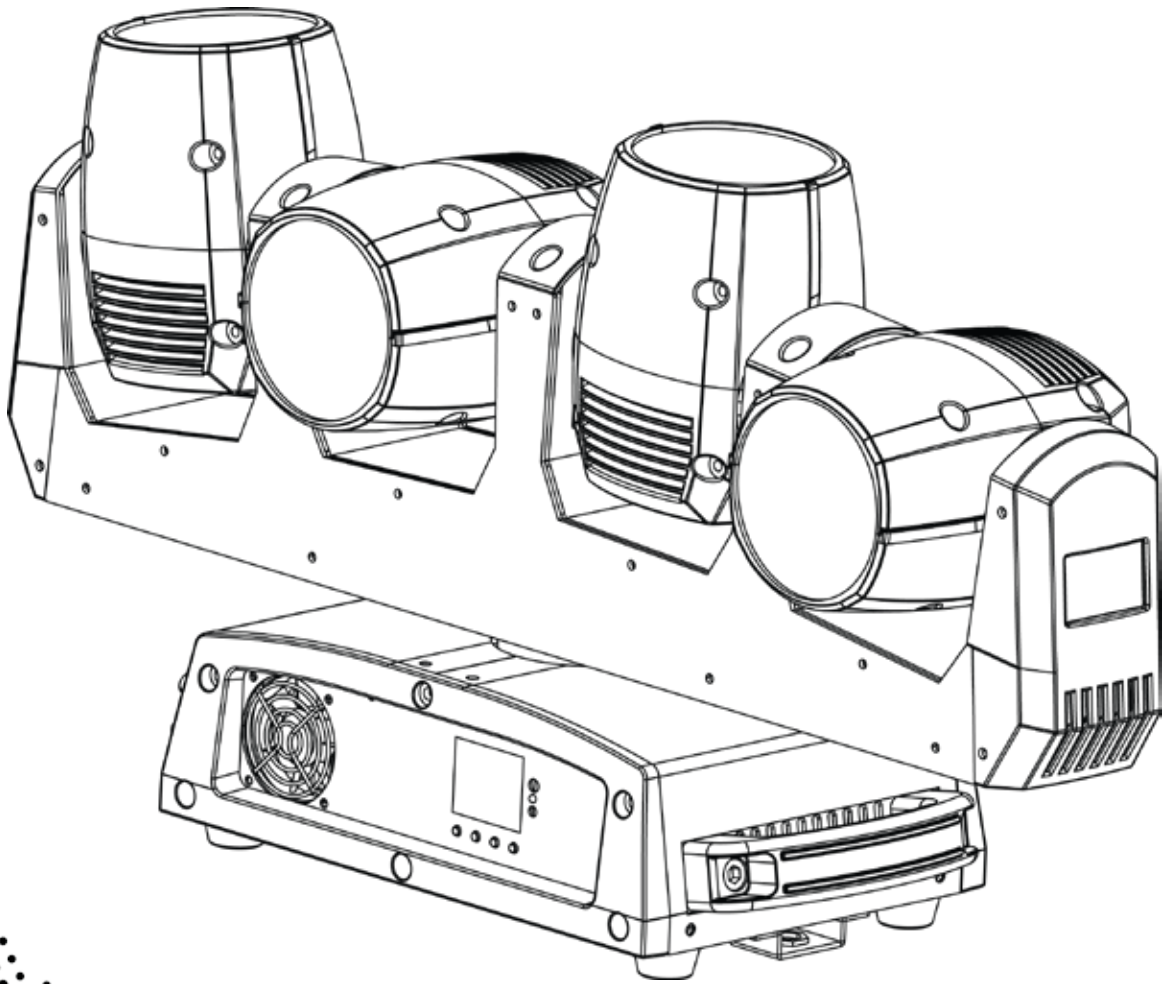


INTIMIDATOR

WAVE 360 IRC

User Manual



CHAUVET

TABLE OF CONTENTS

1. Before You Begin	4
What Is Included.....	4
Unpacking Instructions	4
Claims	4
Text Conventions	4
Symbols.....	4
Disclaimer.....	4
Product at a Glance.....	5
Safety Notes.....	5
2. Introduction	6
Overview.....	6
Dimensions.....	7
3. Setup	8
AC Power	8
Fuse Replacement	8
Power Linking.....	8
Mounting.....	9
Orientation.....	9
Rigging	9
4. Operation	10
Control Panel Operation.....	10
Menu Map.....	10
Configuration (DMX).....	11
Starting Address.....	11
DMX Personalities.....	11
Master Auto Programs	12
4-Fixture Program.....	12
2-Fixture Program.....	13
1-Fixture Program.....	13
DMX Assignments	14
33CH	14
33CH (cont.).....	15
33CH (cont.).....	16
33CH (cont.).....	17
33CH (cont.).....	18
33CH (cont.).....	19
17CH	20
17CH (cont.).....	21
17CH (cont.).....	22
17CH (cont.).....	23
17CH (cont.).....	24
17CH (cont.).....	25
Configuration (Standalone)	26
Sound-Active Mode	26
Sound Sensitivity	26
Automatic Mode.....	26
Manual Reverse Pan Operation	27
Manual Reverse Tilt Operation	27
Manual Pan Angle Range.....	27
Manual Tilt Angle Range	27
Display Blackout and Reverse.....	28
Dimmer Curve	28

Dimmer Speed.....	28
Reset Software.....	28
Factory Defaults.....	28
IR Mode.....	29
IRC-6 Operation.....	29
5. Technical Information.....	30
Product Maintenance.....	30
6. Technical Specifications.....	31
Returns.....	32
Contact Us.....	33

1. BEFORE YOU BEGIN

What Is Included

- Intimidator Wave 360 IRC
- Hanging bracket
- Power cord
- Quick Reference Guide

Unpacking Instructions

Carefully unpack the product immediately and check the container to make sure all the parts are in the package and are in good condition.

Claims




If the box or the contents (the product and included accessories) appear damaged from shipping, or show signs of mishandling, notify the carrier immediately, not Chauvet. Failure to report damage to the carrier immediately may invalidate your claim. In addition, keep the box and contents for inspection.

For other issues, such as missing components or parts, damage not related to shipping, or concealed damage, file a claim with Chauvet within 7 days of delivery.

Text Conventions

Convention	Meaning
1–512	A range of values
50/60	A set of values of which only one can be chosen
Settings	A menu option not to be modified
Menu > Settings	A sequence of menu options to be followed
<ENTER>	A key to be pressed on the product's control panel
ON	A value to be entered or selected

Symbols

Symbol	Meaning
	Critical installation, configuration, or operation information. Not following these instructions may make the product not work, cause damage to the product, or cause harm to the operator.
	Important installation or configuration information. The product may not function correctly if this information is not used.
	Useful information.

Disclaimer

The information and specifications contained in this User Manual are subject to change without notice. Chauvet assumes no responsibility or liability for any errors or omissions and reserves the right to revise or recreate this manual at any time. Download the latest version from www.chauvetlighting.com.

© Copyright 2021 Chauvet All rights reserved.

Electronically published by Chauvet.

Product at a Glance

Use on Dimmer	X	Auto Programs	P
Outdoor Use	X	Auto-ranging Power Supply	P
Sound-Activated	P	Replaceable Fuse	P
DMX	P	User-Serviceable	X
Master/Slave	P		

Safety Notes

These notes include important information about the mounting, usage, and maintenance of this product; read before using the product.



- Always connect the product to a grounded circuit to avoid the risk of electrocution.
- Always disconnect the product from the power source before cleaning or replacing the fuse.
- Avoid direct eye exposure to the light source while the product is on.
- Make sure the power cord is not crimped or damaged.
- Never disconnect the product from power by pulling or tugging on the cord.
- If mounting the product overhead, make sure there is adequate support for the product's weight and always secure to a fastening device using a safety cable.
- Make sure there are no flammable materials close to the product when operating.
- Do not touch the product's housing when operating because it may be very hot.



- Always make sure that the voltage of the outlet to which you are connecting the product is within the range stated on the decal or rear panel of the product.
- The product is for indoor use only! (IP20) To prevent risk of fire or shock, do not expose the product to rain or moisture.
- Always install the product in a location with adequate ventilation, at least 20 in (50 cm) from adjacent surfaces.
- Be sure that no ventilation slots on the product's housing are blocked.
- Never connect the product to a dimmer or rheostat.
- Make sure to replace the fuse with another of the same type and rating.
- Never carry the product from the power cord or any moving part. Always use the hanging/mounting bracket or handles.
- The maximum ambient temperature (T_a) is 104 °F (40 °C). Do not operate the product at higher temperatures.
- In the event of a serious operating problem, stop using the product immediately.
- Never try to repair the product. Repairs carried out by unskilled people can lead to damage or malfunction. Contact the nearest authorized technical assistance center.
- This product is not intended for permanent installation.
- To eliminate unnecessary wear and improve its lifespan, during periods of non-use completely disconnect the product from the power via breaker or by unplugging it.

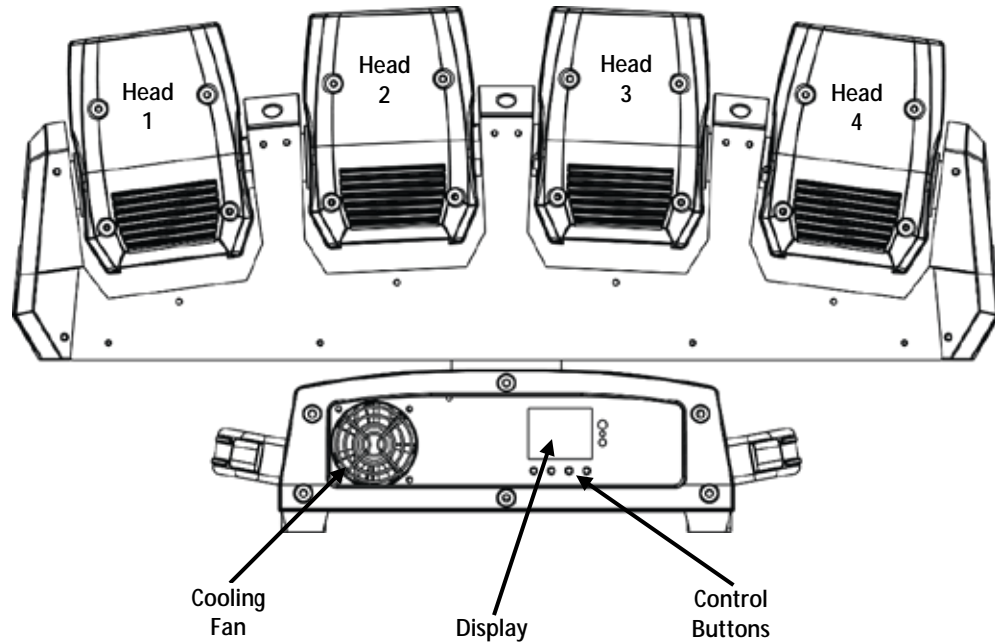


Keep this User Manual for future use. If you sell the product to another user, be sure to give this document to the next owner.

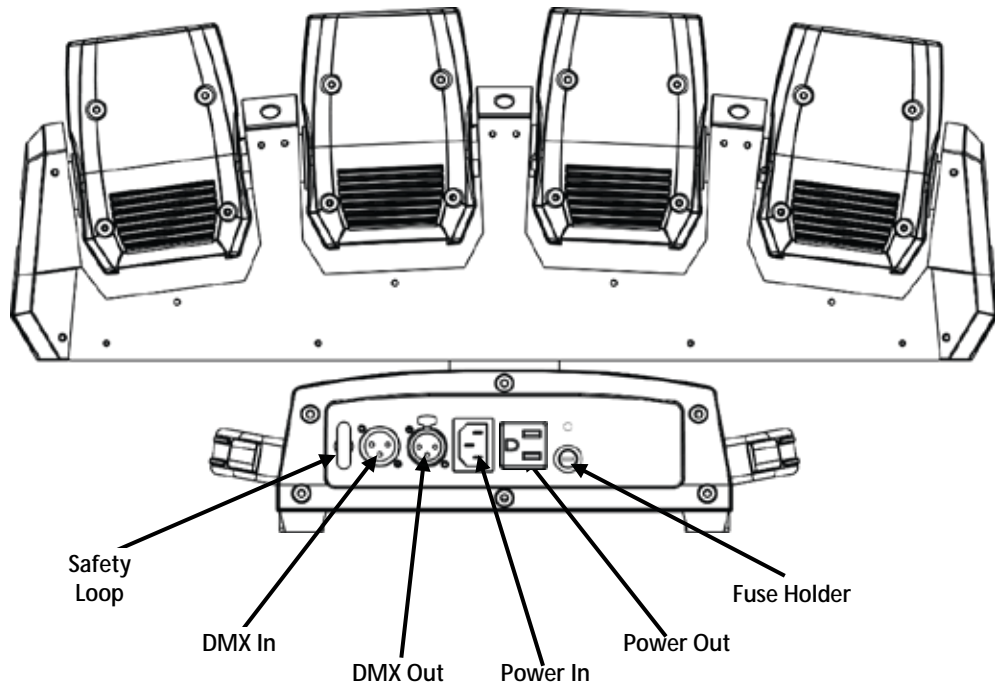
2. INTRODUCTION

Overview

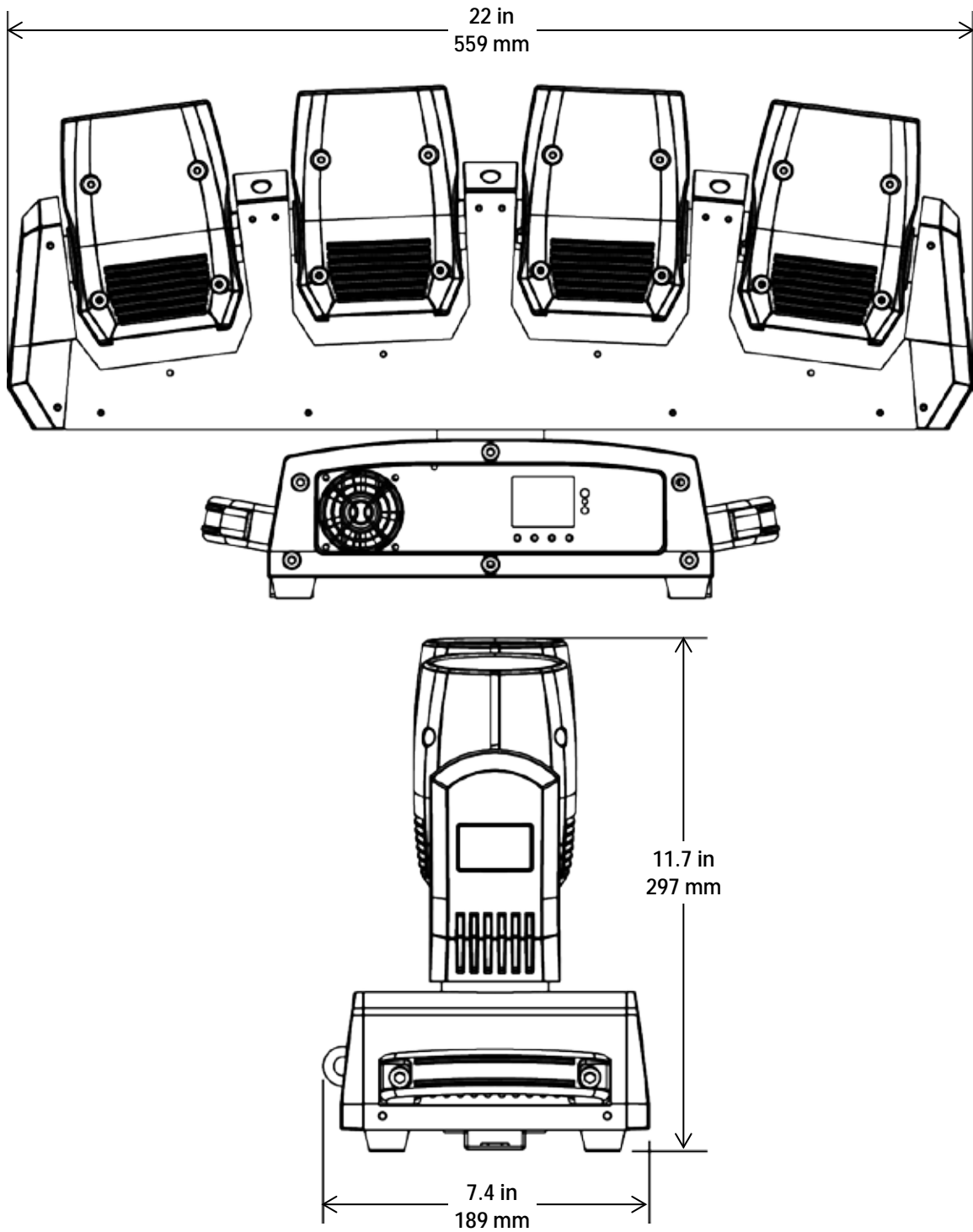
Front Panel View



Back Panel View



Dimensions



3. SETUP

AC Power The Intimidator Wave 360 IRC has an auto-ranging power supply and it can work with an input voltage range of 100–240 VAC, 50/60 Hz.

To determine the product's power requirements (circuit breaker, power outlet, and wiring), use the current value listed on the label affixed to the product's back panel, or refer to the product's specifications chart. The listed current rating indicates the product's average current draw under normal conditions.



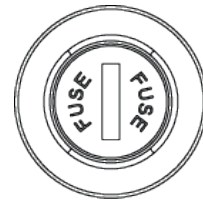
- **Always connect the product to a protected circuit (circuit breaker or fuse). Make sure the product has an appropriate electrical ground to avoid the risk of electrocution or fire.**
- **To eliminate unnecessary wear and improve its lifespan, during periods of non-use completely disconnect the product from the power via breaker or by unplugging it.**



Never connect the product to a rheostat (variable resistor) or dimmer circuit, even if the rheostat or dimmer channel serves only as a 0 to 100% switch.

Fuse Replacement

1. Disconnect the product from power.
2. Use a flat-head screwdriver to unscrew the fuse holder cap from the housing.
3. Remove the blown fuse.
4. Replace with a fuse of the same type and rating.
5. Screw the fuse holder cap back in place and reconnect power.



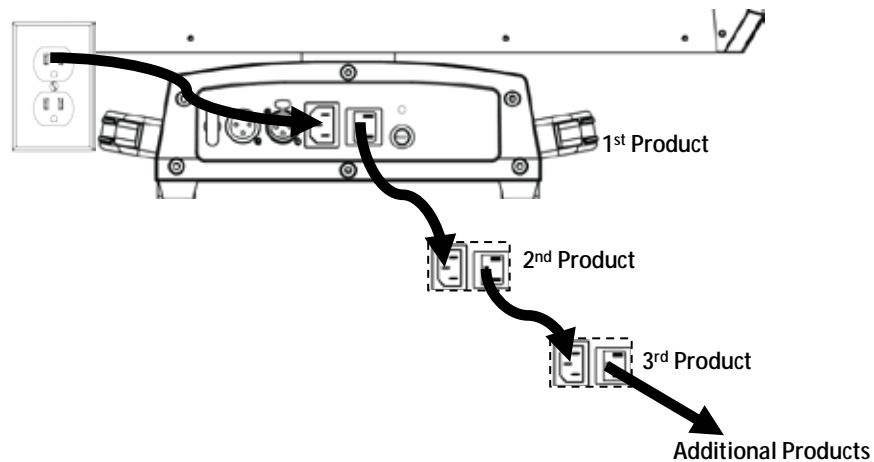
Disconnect the product from power before replacing the fuse.



Always replace a blown fuse with another of the same type and rating.

Power Linking

The product provides power linking via the Edison/IEC outlet located in the front/back of the unit.



Power Linking Diagram



You can power link up to 3 Intimidator Wave 360 IRC units on 120 VAC or up to 6 Intimidator Wave 360 IRC units on 230 VAC.



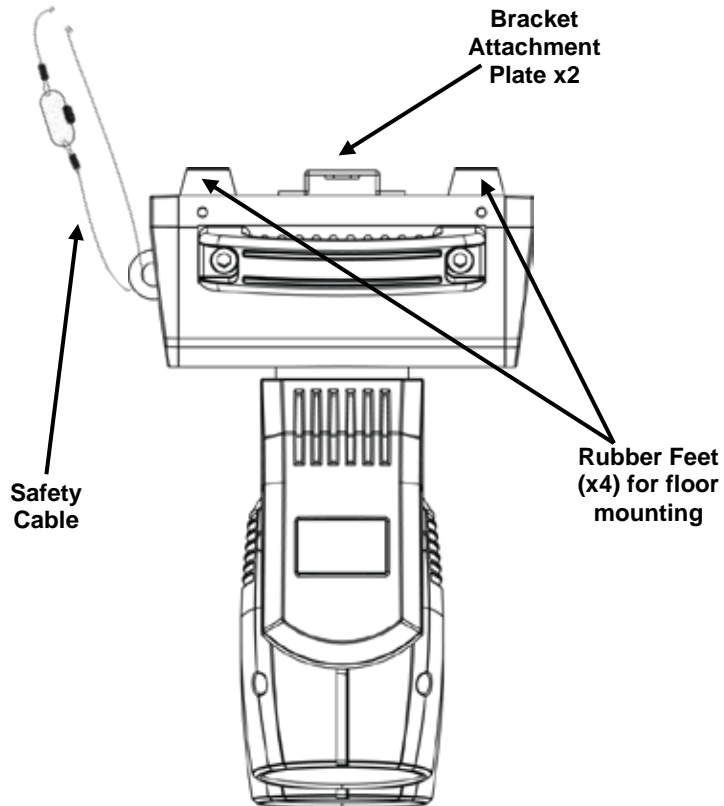
The power linking diagram shown above corresponds to the North American version of the product ONLY! If using the product in other markets, you must consult with the local Chauvet distributor as power linking connectors and requirements may differ in your country or region.

Mounting Before mounting the product, read and follow the safety recommendations indicated in the Safety Notes. For our CHAUVET line of mounting clamps, go to www.chauvetlighting.com/cables-clamps-main.html/.

Orientation The Intimidator Wave 360 IRC may be mounted in any position; however, make sure adequate ventilation is provided around the product.

- Rigging**
- Before deciding on a location, always make sure there is easy access to the product for maintenance and programming.
 - Make sure that the structure or surface onto which you are mounting the product can support the product's weight (see the [Technical Specifications](#)).
 - When mounting the product overhead, always use a safety cable (such as **CH-05** from Chauvet). Mount the product securely to a rigging point, such as an elevated platform or a truss.
 - When rigging the product onto a truss, you should use mounting clamps (such as **CLP-15** from Chauvet) of appropriate weight capacity. The bracket has 13-mm holes, which are appropriate for this purpose.
 - When power linking multiple products, you must always consider the length of the power linking cable and mount the products close enough for the cable to reach.
 - The mounting bracket also allows for surface mounting. When mounting the product on the floor, make sure that the product and cables are away from people and vehicles.

Mounting Diagram



When using only one mounting clamp with this fixture, you must use a clamp with a captive bolt to prevent accidental loosening.

4. OPERATION

Control Panel Operation

To access the control panel functions, use the four buttons located underneath the display.

Button	Function
<MENU>	Selects an operation mode or backs out of the current menu option
<UP>	Scrolls up the list of options or selects a higher value
<DOWN>	Scrolls down the list of options or selects a lower value
<ENTER>	Activates a menu option or a selected value

Menu Map

Mode	Programming Levels	Description	
Address	001–512	Sets DMX starting address	
Run Mode	DMX	17CH	Sets DMX personality
		33CH	
	Auto	Auto01–Auto16	Sets an auto program
	Sound		Sets Sound mode
	Slave	S-1–S-4	Sets a Slave mode
	IR		Sets Infrared mode
Setup	Mast Set	M-1–M-4	Sets a Master mode of M-1, M-2 or M-4
	Pan Reverse	ON	Sets reverse pan operation
		OFF	
	Tilt Reverse	ON	Sets reverse tilt operation
		OFF	
	Pan Angle	540	Sets pan angle range
		360	
		180	
	Tilt Angle	90	Sets tilt angle range
		180	
		270	
	Display	ON	Sets display blackout
		OFF	
	Screen Rev	ON	Sets screen orientation
		OFF	
	Dimmer Curve	Linear	Sets the dimmer curve mode
		SCurve	
		I Squa	
		Square	
	Dimmer Speed	Smooth	Sets the dimmer speed
Fast			
Sensitivity	1–100	Sets sound sensitivity	
DMX Loss	Hold	Holds the last setting when signal is lost	
	Black	Blacks out the product	
	Auto	Sets the unit to Auto mode when signal is lost	
	Sound	Sets the unit to Sound mode when signal is lost	
Reset		Resets all motor defaults	
Factory Reset		Resets to factory defaults	
System Info	Ver XX	Displays software version	
	Running Mode XXXXX	Displays current operating mode	
	DMX Address XXX	Displays current DMX address	

Configuration (DMX)

Set the product in DMX mode to control with a DMX controller.

1. Connect the product to a suitable power outlet.
2. Connect a DMX cable from the DMX output of the DMX controller to the DMX input on the product.

Starting Address

When selecting a starting DMX address, always consider the number of DMX channels the selected DMX mode uses. If you choose a starting address that is too high, you could restrict the access to some of the product's channels.

The Intimidator Wave 360 IRC uses up to 33 DMX channels in its 33-channel personality, which defines the highest configurable address to **480**.

If unfamiliar with DMX, download the DMX Primer from www.chauvetlighting.com.

To select the starting address, do the following:

1. Press **<MENU>**.
2. Use **<UP>** or **<DOWN>** to select the **Address**.
3. Press **<ENTER>**.
4. Use **<UP>** or **<DOWN>** to enter your starting address.
5. Press **<ENTER>**.

DMX Personalities

The Intimidator Wave 360 IRC has two DMX personalities, a 33-channel personality and a 17-channel personality.

To choose which DMX personality to use, follow the steps below:

1. Press **<MENU>**.
2. Use **<UP>** or **<DOWN>** to select **Run Mode**.
3. Press **<ENTER>**.
4. Use **<UP>** or **<DOWN>** to select **DMX**.
5. Press **<ENTER>**.
6. Use **<UP>** or **<DOWN>** to select your DMX personality and press **<ENTER>**.

Master Auto Programs

The Master Auto built-in programs control the actions of two or more Intimidator Wave 360 IRC units linked together by DMX data connection. A single Intimidator Wave 360 IRC (the master) controls the actions of another Intimidator Wave 360 IRC (the slave). Configure the Master Auto programs in conjunction with the Slave modes as follows:

4-Fixture Program

The Master Auto 4-Head program allows all 4 heads of four linked Intimidator Wave 360 IRC units to operate in unison. The master unit will be set to operate in the M-4 program, while the slave unit will be set to operate in either Slave S-1, Slave S-2, Slave S-3, or Slave S-4 mode.

Configure the units as indicated below.

Master unit:

1. Press **<MENU>**.
2. Use **<UP>** or **<DOWN>** to select **Setup**.
3. Press **<ENTER>**.
4. Use **<UP>** or **<DOWN>** to select **Mast Set**.
5. Press **<ENTER>**.
6. Use **<UP>** or **<DOWN>** to scroll to **M-1**, **M-2**, or **M-4**.
7. Press **<ENTER>**.
8. Use **<UP>** or **<DOWN>** to select **M-4**.
9. Press **<ENTER>**.

Slave unit:

1. Press **<MENU>**.
2. Use **<UP>** or **<DOWN>** to select **Run Mode**.
3. Press **<ENTER>**.
4. Use **<UP>** or **<DOWN>** to select **Slave S-1**, **Slave S-2**, **Slave S-3**, or **Slave S-4**.
5. Press **<ENTER>**.
6. Select **Slave S-1** for 100% synchronized actions.
7. Select **Slave S-2**, **S-3** or **S-4** for a delayed show with up to 4 fixtures, for up to 16 heads total, in the same direction but with a delay creating a wave effect.
8. Press **<ENTER>**.

2-Fixture Program

The Master Auto 2-Head program allows a single Intimidator Wave 360 IRC to control the actions of another Intimidator Wave 360 IRC. The master unit will be set to operate in the M-2 program, while the slave unit will be set to operate in either Slave S-1 or Slave S-2 mode.

Configure the units as indicated below.

Master unit:

1. Press **<MENU>**.
2. Use **<UP>** or **<DOWN>** to select **Setup**.
3. Press **<ENTER>**.
4. Use **<UP>** or **<DOWN>** to select **Mast Set**.
5. Press **<ENTER>**.
6. Use **<UP>** or **<DOWN>** to scroll to **M-1**, **M-2**, or **M-4**.
7. Press **<ENTER>**.
8. Use **<UP>** or **<DOWN>** to select **M-2**.
9. Press **<ENTER>**.

Slave unit:

1. Press **<MENU>**.
2. Use **<UP>** or **<DOWN>** to select **Run Mode**.
3. Press **<ENTER>**.
4. Use **<UP>** or **<DOWN>** to select **Slave S-1**, or **Slave S-2**.
 - Select **Slave S-1** for 100% synchronized actions with both fixtures in tandem.
 - Select **Slave S-2** for a delayed wave, up to 2 fixtures.
5. Press **<ENTER>**.

1-Fixture Program

The Master Auto 1-Head program allows all heads of any amount of linked Intimidator™ Wave 360 IRC units to operate in unison. The master unit will be set to operate in the M-1 program, while the slave units will be set to operate in Slave S-1 mode.

Configure the units as indicated below.

Master unit:

1. Press **<MENU>**.
2. Use **<UP>** or **<DOWN>** to select **Setup**.
3. Press **<ENTER>**.
4. Use **<UP>** or **<DOWN>** to select **Mast Set**.
5. Press **<ENTER>**.
6. Use **<UP>** or **<DOWN>** to scroll to **M-1**, **M-2**, or **M-4**.
7. Press **<ENTER>**.
8. Use **<UP>** or **<DOWN>** to select **M-1**.
9. Press **<ENTER>**.

Slave unit:

1. Press **<MENU>** and use **<UP>** or **<DOWN>** to select **Run Mode**.
2. Press **<ENTER>**.
3. Use **<UP>** or **<DOWN>** to select **Slave S-1**.
4. Press **<ENTER>**.
5. Select **Slave S-1**.
6. Press **<ENTER>**.



- **Configure all the slave units before connecting the master unit to the DMX daisy chain.**
- **Never connect a DMX controller to a DMX string configured for Master/Slave operation because the controller may interfere with the signals from the master unit.**

DMX Assignments

33CH	Channel	Function	Value	Percent/Setting
	1	Pan	000-255	Pan 0-540°
	2	Pan 16-bit	000-255	Pan 16-bit
	3	Pan Speed	000-255	Pan Speed (decreasing speed)
	4	Continuous Pan Rotating	000	No function
			001-127	Continuous counter-clockwise pan rotating with increasing speed
			128-255	Continuous clockwise pan rotating with decreasing speed
	5	Head 1 Tilt	000-255	0-270°
	6	Head 2 Tilt	000-255	0-270°
	7	Head 3 Tilt	000-255	0-270°
	8	Head 4 Tilt	000-255	0-270°
	9	Built-In Auto Tilt	000-047	No function
			048-055	Built-In Auto 1
			056-063	Built-In Auto 2
			064-071	Built-In Auto 3
			072-079	Built-In Auto 4
			080-087	Built-In Auto 5
			088-095	Built-In Auto 6
			096-103	Built-In Auto 7
			104-111	Built-In Auto 8
			112-119	Built-In Auto 9
			120-127	Built-In Auto 10
			128-135	Built-In Auto 11
			136-143	Built-In Auto 12
			144-151	Built-In Auto 13
			152-159	Built-In Auto 14
			160-167	Built-In Auto 15
			168-175	Built-In Auto 16
			176-183	Built-In Auto 17
			184-191	Built-In Auto 18
			192-199	Built-In Auto 19
	200-207	Built-In Auto 20		
	208-215	Built-In Auto 21		
	216-223	Built-In Auto 22		
	224-231	Built-In Auto 23		
	232-239	Built-In Auto 24		
	240-247	Built-In Auto 25 (Built-In Auto 1-24)		
	248-255	Built-In Sound Control mode		
	10	Tilt Built-in Speed	000-255	Fast to slow
	11	Head 1 Red Dimmer	000-255	0-100%
	12	Head 1 Green Dimmer	000-255	0-100%
	13	Head 1 Blue Dimmer	000-255	0-100%
	14	Head 1 White Dimmer	000-055	0-100%

**33CH
(cont.)**

Channel	Function	Value	Percent/Setting
15	Head 2 Red Dimmer	000ó 255	0–100%
16	Head 2 Green Dimmer	000ó 255	0–100%
17	Head 2 Blue Dimmer	000ó 255	0–100%
18	Head 2 White Dimmer	000ó 255	0–100%
19	Head 3 Red Dimmer	000ó 255	0–100%
20	Head 3 Green Dimmer	000ó 255	0–100%
21	Head 3 Blue Dimmer	000ó 255	0–100%
22	Head 3 White Dimmer	000ó 255	0–100%
23	Head 4 Red Dimmer	000ó 255	0–100%
24	Head 4 Green Dimmer	000ó 255	0–100%
25	Head 4 Blue Dimmer	000ó 255	0–100%
26	Head 4 White Dimmer	000ó 255	0–100%
27	Colors	000ó 007	No function
		008ó 015	Color 1
		016ó 023	Color 2
		024ó 031	Color 3
		032ó 039	Color 4
		040ó 047	Color 5
		048ó 055	Color 6
		056ó 063	Color 7
		064ó 071	Color 8
		072ó 079	Color 9
		080ó 087	Color 10
		088ó 095	Color 11
		096ó 103	Color 12
		104ó 111	Color 13
		112ó 119	Color 14
		120ó 127	Color 15
		128ó 179	No function
		180ó 201	Fade rainbow clockwise (speed fast to slow)
		202ó 207	Stop
		208ó 229	Fade rainbow counter-clockwise (speed fast to slow)
230ó 234	No Function		
235ó 249	Snap change (speed fast to slow)		
250ó 255	Sound color		

**33CH
(cont.)**

Channel	Function	Value	Percent/Setting
28	Heads On/Off	000 007	●●●●
		008 015	○●●●
		016 023	○○●●
		024 031	○○○●
		032 039	○○○○
		040 047	●○○○
		048 055	●●○○
		056 063	●●●○
		064 071	●●●●
		072 079	○○○○
		080 087	●○○○
		088 095	○●○○
		096 103	○○○○
		104 111	○○○●
		112 119	○○○○
		120 127	●●○○
		128 135	○●●○
		136 143	○○●●
		144 151	●○○●
		152 159	○○○○
		160 167	○●●●
		168 175	●○○●
		176 183	●●○○
		184 191	●●●○
		192 199	○○○○
		200 207	●●●●
		208 215	●●●●
		216 223	●●●●
		224 231	●●●●
		232 239	●●●●
		240 247	●●●●
		248 255	●●●●

**33CH
(cont.)**

Channel	Function	Value	Percent/Setting
29	Auto Programs	000ó 015	No function
		016ó 020	Program 1
		021ó 025	Program 2
		026ó 030	Program 3
		031ó 035	Program 4
		036ó 040	Program 5
		041ó 045	Program 6
		046ó 050	Program 7
		051ó 055	Program 8
		056ó 060	Program 9
		061ó 065	Program 10
		066ó 070	Program 11
		071ó 075	Program 12
		076ó 080	Program 13
		081ó 085	Program 14
		086ó 090	Program 15
		091ó 095	Program 16
		096ó 100	Program 17
		101ó 105	Program 18
		106ó 110	Program 19
		111ó 115	Program 20
		116ó 120	Program 21
		121ó 125	Program 22
		126ó 130	Program 23
		131ó 135	Program 24 (built-in for all)
		136ó 140	Program 25
		141ó 145	Program 26
		146ó 150	Program 27
		151ó 155	Program 28
		156ó 160	Program 29
		161ó 165	Program 30
		166ó 170	Program 31
		171ó 175	Program 32
		176ó 180	Program 33
		181ó 185	Program 34
		186ó 190	Program 35
		191ó 195	Program 36
		196ó 200	Program 37
		201ó 205	Program 38
		206ó 210	Program 39
		211ó 215	Program 40
		216ó 220	Program 41
		221ó 225	Program 42
		226ó 230	Program 43
		231ó 235	Program 44
		236ó 240	Program 45
		241ó 245	Program 46
		246ó 250	Program 47
251ó 255	Program 48 (built-in for all)		
30	Program Speed	000ó 255	Slow to fast

33CH	Channel	Function	Value	Percent/Setting		
(cont.)	31	Dimmer All Heads	000 0255	0-100%		
			000 019	Off		
			020 024	On		
			025 064	Shutter 1 even on/even off (fast to slow)		
			065 069	On		
			070 084	Shutter 2 fast on/slow off (fast to slow)		
			085 089	On		
			090 104	Shutter 3 slow on/fast off (fast to slow)		
			105 109	On		
			110 124	Shutter 4 random shutter (fast to slow)		
			125 129	On		
			130 144	Shutter 5 random shutter fast on/slow off (fast to slow)		
			32	Shutter Programs	145 149	On
					150 164	Shutter 6 random shutter slow on/fast off (fast to slow)
	165 169	On				
	170 184	Shutter 7 pulse shutter (fast to slow)				
	185 189	On				
	190 204	Shutter 8 random pulse shutter (fast to slow)				
	205 209	On				
	210 224	Shutter 9 on and off gradually (fast to slow)				
	225 229	On				
	230 244	Shutter 10 pulse shutter (fast to slow)				
	245 255	On				

33CH (cont.)	Channel	Function	Value	Percent/Setting		
			000 009	No function		
			010 014	Move-in-black		
			015 019	Cancel move-in-black		
			020 024	Independent macros – cancels macro product combinations below		
			025 029	Macros used when linking 2 heads: This is the value for first head		
			030 034	Macros used when linking 2 heads together: This is the value for second head		
			035 039	Macros used when linking 4 heads together: This is the value for first head		
			040 044	Macros used when linking 4 heads together: This is the value for second head		
			045 049	Macros used when linking 4 heads together: This is the value for third head		
			050 054	Macros used when linking 4 heads together: This is the value for fourth head		
	33	Settings (Set these values before setting other DMX channels. There is a 10 sec delay before the settings take effect)	055 059	Pan Reset		
060 064			Tilt Reset			
065 069			Reserved for future use			
070 074			Reset all			
075 079			Reserved for future use			
080 084			Pan/ tilt reverse			
085 089			Pan reverse			
090 094			Tilt Reverse			
095 099			Cancel reverse pan			
100 104			Cancel reverse tilt			
105 109			Cancel reverse pan/tilt			
110 114			Reserved for future use			
115 119			Controls all heads with head 1 channels			
120 124			Cancels control of all heads with head 1 channels			
125 129			Reserved for future use			
130 134			Reserved for future use			
135 139			Reserved for future use			
140 144			Reserved for future use			
					145 255	No function

17CH	Channel	Function	Value	Percent/Setting
	1	Pan	000ó 255	Pan 0–540°
	2	Pan 16-bit	000ó 255	Pan 16-bit
	3	Pan Speed	000ó 255	Pan Speed (decreasing speed)
	4	Continuous Pan Rotating	000	No function
			001ó 127	Continuous counter-clockwise pan rotating with increasing speed
			128ó 255	Continuous clockwise pan rotating with decreasing speed
	5	Head 1 Tilt	000ó 255	0–270°
	6	Head 2 Tilt	000ó 255	0–270°
	7	Head 3 Tilt	000ó 255	0–270°
	8	Head 4 Tilt	000ó 255	0–270°
	9	Built-In Auto Tilt	000ó 047	No function
			048ó 055	Built-In Auto 1
			056ó 063	Built-In Auto 2
			064ó 071	Built-In Auto 3
			072ó 079	Built-In Auto 4
			080ó 087	Built-In Auto 5
			088ó 095	Built-In Auto 6
			096ó 103	Built-In Auto 7
			104ó 111	Built-In Auto 8
			112ó 119	Built-In Auto 9
			120ó 127	Built-In Auto 10
			128ó 135	Built-In Auto 11
			136ó 143	Built-In Auto 12
			144ó 151	Built-In Auto 13
			152ó 159	Built-In Auto 14
			160ó 167	Built-In Auto 15
			168ó 175	Built-In Auto 16
			176ó 183	Built-In Auto 17
			184ó 191	Built-In Auto 18
			192ó 199	Built-In Auto 19
			200ó 207	Built-In Auto 20
			208ó 215	Built-In Auto 21
			216ó 223	Built-In Auto 22
			224ó 231	Built-In Auto 23
	232ó 239	Built-In Auto 24		
	240ó 247	Built-In Auto 25 (Built-In Auto 1-24)		
	248ó 255	Built-In Sound Control mode		
	10	Tilt Built-in Speed	000ó 255	Fast to slow

**17CH
(cont.)**

Channel	Function	Value	Percent/Setting
11	Colors	000 007	No function
		008 015	Color 1
		016 023	Color 2
		024 031	Color 3
		032 039	Color 4
		040 047	Color 5
		048 055	Color 6
		056 063	Color 7
		064 071	Color 8
		072 079	Color 9
		080 087	Color 10
		088 095	Color 11
		096 103	Color 12
		104 111	Color 13
		112 119	Color 14
		120 127	Color 15
		128 179	No function
		180 201	Fade rainbow clockwise (speed fast to slow)
		202 207	Full on of current color
		208 229	Fade rainbow counter-clockwise (speed fast to slow)
		230 234	All colors 100%
		235 249	Snap change (speed fast to slow)
		250 255	Sound color

**17CH
(cont.)**

Channel	Function	Value	Percent/Setting
12	Heads On/Off	000 007	●●●●
		008 015	○●●●
		016 023	○○●●
		024 031	○○○●
		032 039	○○○○
		040 047	●○○○
		048 055	●●○○
		056 063	●●●○
		064 071	●●●●
		072 079	○○○○
		080 087	●○○○
		088 095	○●○○
		096 103	○○○○
		104 111	○○○●
		112 119	○○○○
		120 127	●●○○
		128 135	○●●○
		136 143	○○●●
		144 151	●○○●
		152 159	○○○○
		160 167	○●●●
		168 175	●○○●
		176 183	●●○○
		184 191	●●●○
		192 199	○○○○
		200 207	●●●●
		208 215	●●●●
		216 223	●●●●
		224 231	●●●●
		232 239	●●●●
		240 247	●●●●
		248 255	●●●●

**17CH
(cont.)**

Channel	Function	Value	Percent/Setting
13	Auto Programs	000ó 015	No function
		016ó 020	Program 1
		021ó 025	Program 2
		026ó 030	Program 3
		031ó 035	Program 4
		036ó 040	Program 5
		041ó 045	Program 6
		046ó 050	Program 7
		051ó 055	Program 8
		056ó 060	Program 9
		061ó 065	Program 10
		066ó 070	Program 11
		071ó 075	Program 12
		076ó 080	Program 13
		081ó 085	Program 14
		086ó 090	Program 15
		091ó 095	Program 16
		096ó 100	Program 17
		101ó 105	Program 18
		106ó 110	Program 19
		111ó 115	Program 20
		116ó 120	Program 21
		121ó 125	Program 22
		126ó 130	Program 23
		131ó 135	Program 24 (built-in for all)
		136ó 140	Program 25
		141ó 145	Program 26
		146ó 150	Program 27
		151ó 155	Program 28
		156ó 160	Program 29
		161ó 165	Program 30
		166ó 170	Program 31
		171ó 175	Program 32
		176ó 180	Program 33
		181ó 185	Program 34
		186ó 190	Program 35
		191ó 195	Program 36
		196ó 200	Program 37
		201ó 205	Program 38
		206ó 210	Program 39
		211ó 215	Program 40
		216ó 220	Program 41
		221ó 225	Program 42
		226ó 230	Program 43
		231ó 235	Program 44
		236ó 240	Program 45
		241ó 245	Program 46
		246ó 250	Program 47
251ó 255	Program 48 (built-in for all)		
14	Program Speed	000ó 255	Slow to fast

17CH	Channel	Function	Value	Percent/Setting		
(cont.)	15	Dimmer All Heads	000ó 255	0–100%		
			000ó 019	Off		
			020ó 024	On		
			025ó 064	Shutter 1 even on/even off (fast to slow)		
			065ó 069	On		
			070ó 084	Shutter 2 fast on/slow off (fast to slow)		
			085ó 089	On		
			090ó 104	Shutter 3 slow on/fast off (fast to slow)		
			105ó 109	On		
			110ó 124	Shutter 4 random shutter (fast to slow)		
			125ó 129	On		
			16	Shutter Programs	130ó 144	Shutter 5 random shutter fast on/slow off (fast to slow)
					145ó 149	On
	150ó 164	Shutter 6 random shutter slow on/fast off (fast to slow)				
	165ó 169	On				
	170ó 184	Shutter 7 pulse shutter (fast to slow)				
	185ó 189	On				
	190ó 204	Shutter 8 random pulse shutter (fast to slow)				
	205ó 209	On				
	210ó 224	Shutter 9 on and off gradually (fast to slow)				
	225ó 229	On				
	230ó 244	Shutter 10 pulse shutter (fast to slow)				
	245ó 255	On				

17CH (cont.)	Channel	Function	Value	Percent/Setting
			000 009	No function
			010 014	Move-in-black
			015 019	Cancel move-in-black
			020 024	Independent macros – cancels macro product combinations below
			025 029	Macros used when linking 2 heads: This is the value for first head
			030 034	Macros used when linking 2 heads together: This is the value for second head
			035 039	Macros used when linking 4 heads together: This is the value for first head
			040 044	Macros used when linking 4 heads together: This is the value for second head
			045 049	Macros used when linking 4 heads together: This is the value for third head
			050 054	Macros used when linking 4 heads together: This is the value for fourth head
		Settings (Set these values before setting other DMX channels. There is a 10 sec delay before the settings take effect)	055 059	Pan reset
	17		060 064	Tilt reset
			065 069	Reserved for future use
			070 074	Reset all
			075 079	Reserved for future use
			080 084	Pan/ tilt reverse
			085 089	Pan reverse
			090 094	Tilt reverse
			095 099	Cancel reverse pan
			100 104	Cancel reverse tilt
			105 109	Cancel reverse pan/tilt
			110 114	Reserved for future use
			115 119	Controls all heads with head 1 channels
			120 124	Cancels control of all heads with head 1 channels
			125 129	Reserved for future use
			130 134	Reserved for future use
			135 139	Reserved for future use
			140 144	Reserved for future use
			145 255	No function

Configuration (Standalone)

Set the product in one of the standalone modes to control it without a DMX controller.
Connect the product to a suitable power outlet.



Never connect a product that is operating in any standalone mode (Static, Automatic, or Sound-Active) to a DMX string connected to a DMX controller. Products in standalone mode may transmit DMX signals that could interfere with the DMX signals from the controller.

Sound-Active Mode

To enable the Sound-Active mode, do the following:

1. Press **<MENU>**.
2. Use the **<UP>** or **<DOWN>** buttons to select **Run Mode**.
3. Press **<ENTER>**.
4. Use **<UP>** or **<DOWN>** to select **Sound**.
5. Press **<ENTER>**.



The product will only respond to low frequencies of music (bass and drums).

Sound Sensitivity

To raise or lower the sound sensitivity of the Intimidator Wave 360 IRC, follow the instructions below:

1. Press **<MENU>**.
2. Use the **<UP>** or **<DOWN>** buttons to select **Setup**.
3. Press **<ENTER>**.
4. Use **<UP>** or **<DOWN>** to select **Sensitivity**.
5. Press **<ENTER>**.
6. Use **<UP>** or **<DOWN>** to select **1–100**.
7. Press **<ENTER>**.

Automatic Mode

To enable the Automatic mode, do the following:

1. Press **<MENU>**.
2. Use the **<UP>** or **<DOWN>** buttons to select **Run Mode**.
3. Press **<ENTER>**.
4. Use **<UP>** or **<DOWN>** to select **Auto**.
5. Press **<ENTER>**.
6. Use **<UP>** or **<DOWN>** to scroll through the auto programs (**1–16**).
7. Press **<ENTER>** to make your selection.

Auto Program	Sweep Angle	Color	Movement
1	180°	All	Wave, alternate & synchronized
2	90° Front	Chase	Wave
3	180°	Chase	Wave
4	45° Front	Chase	Wave
5	90° Up	Chase	Wave
6	45° Back	Chase	Wave
7	90° Back	Chase	Wave
8	90° Front	1 & 2 color scroll	Synchronized
9	180°	1 & 2 color scroll	Synchronized
10	45° Front	1 & 2 color scroll	Synchronized
11	90° Up	1 & 2 color scroll	Synchronized
12	90° Back	4 color scroll	Synchronized
13	90° Back	All	Synchronized
14	90° Front	1 color scroll	Alternate
15	180°	1 color scroll	Alternate
16	45° Front	1 & 2 color scroll	Alternate

Manual Reverse Pan Operation

To select whether you want the Intimidator Wave 360 IRC to operate with normal pan or inverted (reverse) pan, do the following.

1. Press **<MENU>**.
2. Use the **<UP>** or **<DOWN>** buttons to select **Setup**.
3. Press **<ENTER>**.
4. Use **<UP>** or **<DOWN>** to select **Pan Reverse**.
5. Press **<ENTER>**.
6. Use **<UP>** or **<DOWN>** to select **ON** or **OFF**.
7. Press **<ENTER>**.

Manual Reverse Tilt Operation

To select whether you want the Intimidator Wave 360 IRC to operate with normal tilt or inverted (reverse) tilt, do the following.

1. Press **<MENU>**.
2. Use the **<UP>** or **<DOWN>** buttons to select **Setup**.
3. Press **<ENTER>**.
4. Use **<UP>** or **<DOWN>** to select **Tilt Reverse**.
5. Press **<ENTER>**.
6. Use **<UP>** or **<DOWN>** to select **ON** or **OFF**.
7. Press **<ENTER>**.

Manual Pan Angle Range

To select the range for the pan angles on the Intimidator Wave 360 IRC, do the following:

1. Press **<MENU>**.
2. Use the **<UP>** or **<DOWN>** buttons to select **Setup**.
3. Press **<ENTER>**.
4. Use **<UP>** or **<DOWN>** to select **Pan Angle**.
5. Press **<ENTER>**.
6. Use **<UP>** or **<DOWN>** to select **180** (180°), **360** (360°), or **540** (540°).
7. Press **<ENTER>**.

Manual Tilt Angle Range

To select the range for the tilt angles on the Intimidator Wave 360 IRC, do the following:

1. Press **<MENU>**.
2. Use the **<UP>** or **<DOWN>** buttons to select **Setup**.
3. Press **<ENTER>**.
4. Use **<UP>** or **<DOWN>** to select **Tilt Angle**.
5. Press **<ENTER>**.
6. Use **<UP>** or **<DOWN>** to select **90** (90°), **180** (180°), or **270** (270°).
7. Press **<ENTER>**.

Display Blackout and Reverse

You can flip the LED display for easy readability in any mounting situation or blackout the display entirely.

To select your display angle:

1. Press **<MENU>** and use the **<UP>** or **<DOWN>** buttons to select **Setup**.
2. Press **<ENTER>**.
3. Use **<UP>** or **<DOWN>** to select **Screen Rev**.
4. Press **<ENTER>**.
5. Use **<UP>** or **<DOWN>** to select **ON** or **OFF**.
6. Press **<ENTER>**.

To select blackout display:

1. Press **<MENU>**.
2. Use the **<UP>** or **<DOWN>** buttons to select **Setup**.
3. Press **<ENTER>**.
4. Use **<UP>** or **<DOWN>** to select **Display** and press **<ENTER>**.
5. Use **<UP>** or **<DOWN>** to select **ON** or **OFF** and press **<ENTER>**.

Dimmer Curve

To set the dimmer curve on the Intimidator Wave 360 IRC, do the following:

1. Press **<MENU>**.
2. Use the **<UP>** or **<DOWN>** buttons to select **Setup**.
3. Press **<ENTER>**.
4. Use **<UP>** or **<DOWN>** to select **Dimmer Curve**.
5. Press **<ENTER>**.
6. Use **<UP>** or **<DOWN>** to select **Linear**, **SCurve**, **I Squa**, or **Square**.
7. Press **<ENTER>**.

Dimmer Speed

To set the dimmer speed on the Intimidator Wave 360 IRC, do the following:

1. Press **<MENU>**.
2. Use the **<UP>** or **<DOWN>** buttons to select **Setup**.
3. Press **<ENTER>**.
4. Use **<UP>** or **<DOWN>** to select **Dimmer Speed**.
5. Press **<ENTER>**.
6. Use **<UP>** or **<DOWN>** to select **Smooth** or **Fast**.
7. Press **<ENTER>**.

Reset Software

To reset the software on the Intimidator Wave 360 IRC, do the following:

1. Press **<MENU>** and use the **<UP>** or **<DOWN>** buttons to select **Setup**.
2. Press **<ENTER>**.
3. Use **<UP>** or **<DOWN>** to select **Reset**.
4. Press **<ENTER>**. The product will reset all settings in the software.

Factory Defaults

To load the factory defaults on the Intimidator Wave 360 IRC, do the following:

1. Press **<MENU>** and use the **<UP>** or **<DOWN>** buttons to select **Setup**.
2. Press **<ENTER>**.
3. Use **<UP>** or **<DOWN>** to select **Factory Reset**.
4. Press **<ENTER>**. The product resets to factory default settings.

IR Mode

IR mode allows the product to be controlled with an infrared remote controller. The IRC-6 can remotely set the product to various modes; adjust the color, speed and sensitivity; and set the strobe.

To set the product to IR mode, do the following:

1. Make sure the product is plugged into a power source and not connected to a DMX cable.
2. Press **<MODE/ESC>**.
3. Use **<UP>** or **<DOWN>** to choose **Run Mode**.
4. Press **<ENTER>**.
5. Use **<UP>** or **<DOWN>** to choose **IR**.
6. Press **<ENTER>** and the IR indicator on the front of the Intimidator Wave 360 IRC lights up.

IRC-6 Operation



Be sure the IRC-6 remote is pointing directly at the product and there is nothing in between the remote and the product.

Some of the buttons on the remote work differently than what is indicated on their labels. For example:

- **<A>**, **<UV>**, and **<W>** control the Blackout function.

Please read the next section carefully.

The list below describes which features each button controls.



- **<BLACKOUT>**, **<A>**, **<UV>**, and **<W>** - Turns LEDs on and off.
- **<AUTO>** - Activates Auto mode. Use **<0>**–**<9>** and **<+>** and **<->** to cycle through Auto modes.
- **<SOUND>** - Activates Sound mode.
- **<STROBE>** - Activates the strobe. Use the **<+>** and **<->** buttons to cycle through strobe speeds.
- **<SPEED>** - Adjusts the XY movement speed. Use the **<+>** and **<->** buttons to cycle through movement speeds.
- **<SENSITIVITY>** - Adjusts sound sensitivity. Use the **<+>** and **<->** buttons to cycle through sound sensitivity levels.
- **<%>** - Adjusts the total output of the LEDs. Use the **<+>** and **<->** buttons to increase or decrease the brightness of the LEDs.
- **<FADE>** - Adjusts the speed and type of color fades. Press the button to switch between fade and snap color changes. Use **<+>** and **<->** to increase or decrease the speed of the color changes.
- **<MANUAL>** - Adjusts the white color in the LEDs. Use the **<+>** and **<->** buttons to increase or decrease the white color in the LEDs.
- **<R>** - Adjusts the red color in the LEDs. Use the **<+>** and **<->** buttons to increase or decrease the red color in the LEDs.
- **<G>** - Adjusts the green color in the LEDs. Use the **<+>** and **<->** buttons to increase or decrease the green color in the LEDs.
- **** - Adjusts the blue color in the LEDs. Use the **<+>** and **<->** buttons to increase or decrease the blue color in the LEDs.
- **<+>** - Increases values for controls as described above.
- **<->** - Decreases values for controls as described above.

5. TECHNICAL INFORMATION

Product Maintenance

Dust build-up reduces light output performance and can cause overheating. This can lead to reduction of the light source's life and mechanical wear. To maintain optimum performance and minimize wear, clean the product at least twice a month. However, usage and environmental conditions contribute to increased cleaning frequency.

To clean the product, follow the instructions below:

1. Unplug the product from power.
2. Wait until the product is at room temperature.
3. Use a vacuum (or dry compressed air) and a soft brush to remove dust collected on the external surface/vents.
4. Clean all external optics and glass/transparent surfaces with a mild soap solution, ammonia-free glass cleaner, or isopropyl alcohol.
5. Apply the solution directly to a soft, lint-free cotton cloth or a lens cleaning tissue.
6. Softly wipe any dirt or grime to the outside edges of the external optics or glass/transparent surface.
7. Gently polish the external optics and glass/transparent surfaces until they are free of haze and lint.



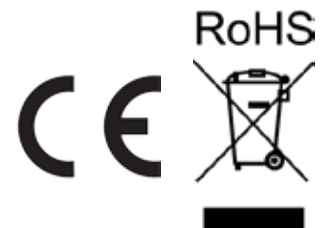
Always dry the external optics and glass/transparent surfaces carefully after cleaning them.



Do not spin the cooling fans using compressed air because you could damage them.

6. TECHNICAL SPECIFICATIONS

Dimensions and Weight	Length	Width	Height	Weight
	22 in (559 mm)	7.4 in (189 mm)	11.7 in (297 mm)	19.4 lb (8.8 kg)
Note: Dimensions in inches rounded to the nearest decimal digit.				
Power	Power Supply Type	Range	Voltage Selection	
	Switching (internal)	100 to 240 VAC, 50/60 Hz	Auto-ranging	
	Parameter	120 V, 60 Hz	230 V, 50 Hz	
	Consumption	175 W	177 W	
	Operating current	2.6 A	1.3 A	
	Power linking current (units)	8 A (3 units)	8 A (6 units)	
	Fuse	F 5 A, 250 V	F 5 A, 250 V	
Power I/O	Power I/O	US/Canada	UK/Worldwide	
	Power input connector	IEC	IEC	
	Power output connector	Edison	IEC	
	Power Cord plug	Edison (US)	Local plug	
Light Source	Type	Power	Lifespan	
	LED	12 W	50,000 hours	
	Color	Quantity	Current	
	Quad-color RGBW	4	3.9 A	
Photo Optic	Parameter			
	Illuminance @ 2 m	16,670 lux		
	Beam angle	5°		
	Strobe rate	0 to 20 Hz		
Thermal	Maximum External Temp.	Cooling System		
	104 °F (40 °C)	Fan-cooled		
DMX	I/O Connectors	Connection Type	Channel Range	
	3-pin XLR	Sockets	17 or 33	
Ordering	Product Name	Item Code	UPC Number	
	Intimidator Wave 360 IRC	08010919	781462212674	



RETURNS

To return a product or request support:

- In the U.S., contact Chauvet World Headquarters (see [Contact Us](#)).
- In the UK or Ireland, contact Chauvet Europe Ltd. (see [Contact Us](#)).
- In Mexico, contact Chauvet Mexico (see [Contact Us](#)).
- In Benelux, contact Chauvet Europe BVBA (see [Contact Us](#)).

In any other country, DO NOT contact Chauvet. Contact your distributor. See

www.chauvetlighting.com for distributors outside the U.S., U.K., Ireland, Germany, France, Mexico, or Benelux.



If you live outside the U.S., U.K., Ireland, Germany, France, Mexico, or Benelux, contact your distributor of record and follow their instructions on how to return Chauvet products to them. Visit our website for contact details.

Call the corresponding Chauvet Technical Support office and request a Return Merchandise Authorization (RMA) number before shipping the product. Be prepared to provide the model number, serial number, and a brief description of the cause for the return.

You must send the merchandise prepaid, in its original box, and with its original packing and accessories. Chauvet will not issue call tags.

Clearly label the package with the RMA number. Chauvet will refuse any product returned without an RMA number.



Write the RMA number on a properly affixed label. DO NOT write the RMA number directly on the box.

Before sending the product, clearly write the following information on a piece of paper and place it inside the box:

1. Your name
2. Your address
3. Your phone number
4. RMA number
5. A brief description of the problem

Be sure to pack the product properly. Any shipping damage resulting from inadequate packaging will be your responsibility. FedEx packing or double-boxing are recommended.



Chauvet reserves the right to use its own discretion to repair or replace returned product(s).

Contact Us

General Information	Technical Support
Chauvet World Headquarters	
Address: 5200 NW 108th Avenue Sunrise, FL 33351 Voice: (954) 577-4455 Toll free: (800) 762-1084	Voice: (844) 393-7575 Email: support@iluminarc.com Website: http://www.chauvetdj.com
Chauvet Europe Ltd	
Address: Unit 1C Brookhill Road Industrial Estate Pinxton, Nottingham, UK NG16 6NT Voice: +44 (0)1773 511115	Email: uktech@chauvetlighting.com Website: http://www.chauvetdj.eu
Chauvet Europe BVBA	
Address: Stokstraat 18 9770 Kruishoutem Belgium Voice: +32 9 388 93 97	Email: Eutech@chauvetlighting.com Website: http://www.chauvetdj.eu
Chauvet France	
Address: 3, Rue Ampère 91380 Chilly-Mazarin France Voice: +33 1 78 85 33 59	Email: Eutech@chauvetlighting.com Website: www.chauvetdj.eu
Chauvet Germany	
Address: Bruno-Bürgel-Str. 11 28759 Bremen Germany Voice: +49 421 62 60 20	Email: Eutech@chauvetlighting.com Website: www.chauvetdj.eu
Chauvet Mexico	
Address: Av. de las Partidas 34-3B (Entrance by Calle 2) Zona Industrial Lerma Lerma, Mexico C.P. 52000 Voice: +52 (728) 690-2010	Email: servicio@chauvetlighting.com.mx Website: www.chauvet.com.mx

Visit the applicable website above to verify our contact information and instructions to request support. Outside the U.S., U.K., Ireland, France, Germany, Benelux or Mexico, contact the dealer of record.