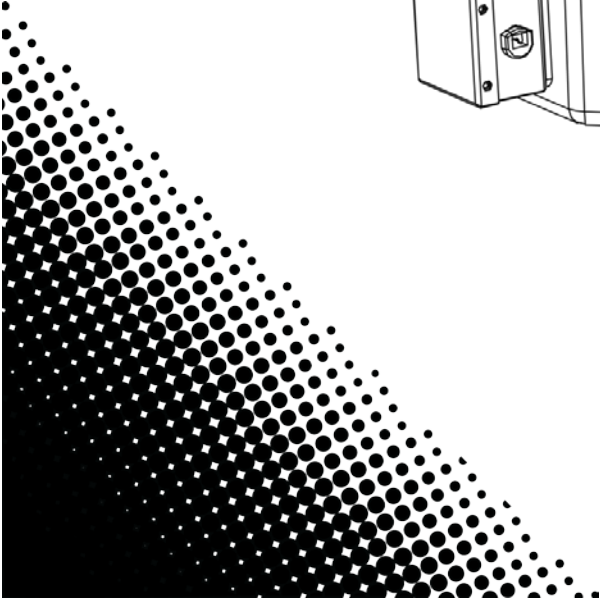
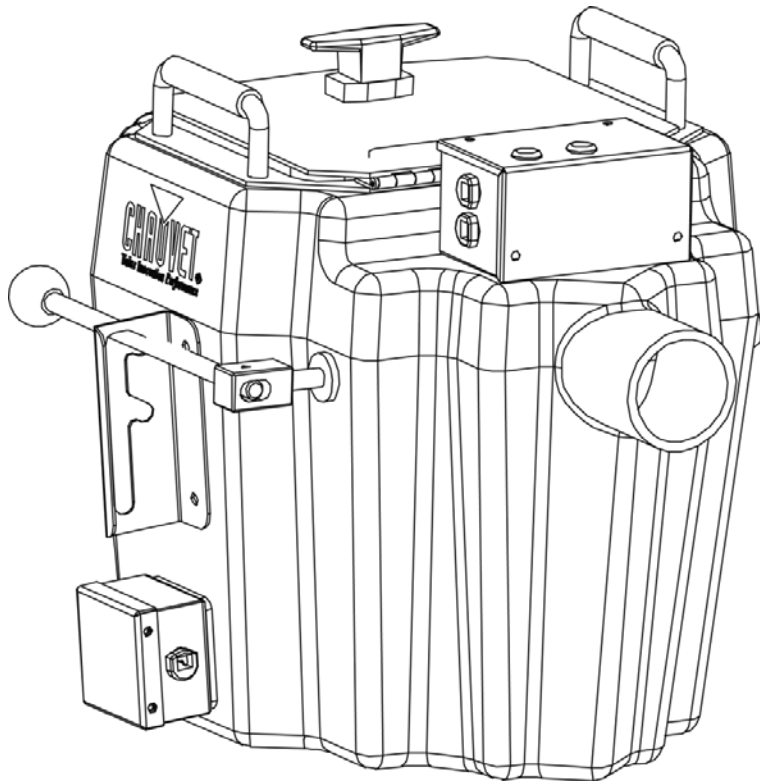


# NIMBUS™ Jr

User Manual



  
**CHAUVET®**

---

# TABLE OF CONTENTS

<b>1. Before You Begin</b> .....	<b>3</b>
What Is Included.....	3
Unpacking Instructions .....	3
Claims .....	3
Text Conventions .....	3
Symbols.....	3
Disclaimer.....	3
Product at a Glance.....	4
Safety Notes.....	4
<b>2. Introduction</b> .....	<b>6</b>
Overview.....	6
Dimensions.....	7
<b>3. Setup</b> .....	<b>8</b>
AC Power .....	8
About Dry Ice and CO <sub>2</sub> .....	8
Dry Ice Warnings.....	8
<b>4. Operation</b> .....	<b>9</b>
Setup .....	9
Operation.....	9
Safety Shutoff Feature.....	9
<b>5. Technical Information</b> .....	<b>9</b>
Maintenance .....	9
<b>6. Technical Specifications</b> .....	<b>10</b>
Returns .....	11
Contact Us.....	11

# 1. BEFORE YOU BEGIN

## What Is Included

- Nimbus™ Jr.
- Power Cord
- Warranty Card
- Quick Reference Guide

## Unpacking Instructions

Carefully unpack the product immediately and check the container to make sure all the parts are in the package and are in good condition.

## Claims




If the box or the contents (the product and included accessories) appear damaged from shipping, or show signs of mishandling, notify the carrier immediately, not CHAUVET®. Failure to report damage to the carrier immediately may invalidate your claim. In addition, keep the box and contents for inspection.

For other issues, such as missing components or parts, damage not related to shipping, or concealed damage, file a claim with CHAUVET® within 7 days of delivery.

## Text Conventions

Convention	Meaning
1 to 512	A range of values
50/60	A set of values of which only one can be chosen

## Symbols

Symbol	Meaning
	Critical installation, configuration, or operation information. Not following these instructions may make the product not work, cause damage to the product, or cause harm to the operator.
	Important installation or configuration information. The product may not function correctly if this information is not used.
	Useful information.

## Disclaimer

The information and specifications contained in this User Manual are subject to change without notice. CHAUVET® assumes no responsibility or liability for any errors or omissions, and reserves the right to revise or recreate this manual at any time. Download the latest version from [www.chauvetlighting.com](http://www.chauvetlighting.com).

© Copyright 2014 CHAUVET®. All rights reserved.

Electronically published by CHAUVET® in the United States of America.

Author	Date	Editor	Date
M. Trouard	07/03/14	D. Coupe	07/07/14

## Product at a Glance

Use on Dimmer	✗	Auto Programs	✗
Outdoor Use	✗	Fixed voltage (120 VAC or 230 VAC)	P
Sound-Active	✗	Replaceable Fuse	✗
DMX	✗	User-Serviceable	✗
Master/Slave	✗		

## Safety Notes

These Safety Notes include important information about the installation, use, and maintenance; including **DRY ICE WARNINGS**. Read carefully!



- Always connect the product to a grounded and protected circuit to avoid the risk of electrocution.
- Always disconnect the product from the power source before cleaning.
- Make sure the power cord is not crimped or damaged.
- Never disconnect the product from power by pulling or tugging on the cord.
- Make sure there are no flammable materials close to the product when operating.
- Do not touch the product's housing when operating because it may be very hot.
- Do not set this product on a flammable surface (linoleum, carpet, wood, paper, carton, plastic, and so on).
- The product's nozzle is very hot during operation and it remains hot for a long time after use. Do not touch the nozzle during or after operation (until cooled).
- When CO<sub>2</sub> exits the nozzle, keep a minimum distance of 6.5 ft (2 m) from the nozzle to the nearest object.
- Do not cover or plug the output nozzle during operation. Compressing the dry ice will cause a chemical reaction that may lead to an explosion.
- Do not handle dry ice with bare hands. Thick gloves must be worn.
- Do not swallow dry ice. It will lead to severe internal injuries.
- Before breaking dry ice, cover it with a piece of cloth or place the block in a cloth bag. Eye protection must be worn.
- During warm-up and operation, the water in the Nimbus™ Jr. will be extremely hot. Do not touch or allow the water to splash to avoid scalds and burns.
- Do not remove the basket while the product is connected to power.
- Do not use in a room less than 10 sq ft (1 m<sup>2</sup>) and make sure that any enclosed room is well ventilated.
- Dry ice should never be stored in a sealed container that can lead to a pressure build-up and the risk of an explosion.
- Do not continue to create fog once visibility is 20" (50 cm) or less.
- Condensation may form on the bottom of the product, creating damp or wet conditions under and around the Nimbus™ Jr. Use caution! Surfaces around the product may become slippery.
- Do not drink the liquid in the tank. If you do, call your local emergency service (911 in the US) for help.
- Do not add perfume, alcohol, gasoline, or any other flammables to the water.



- Always make sure that the voltage of the outlet to which you are connecting the product is within the range stated on the decal or rear panel of the product.
- The product is for indoor use only! (IP20) To prevent risk of fire or shock, do not expose the product to rain or moisture.
- Always install the product in a location with adequate ventilation, at least 20 in (50 cm) from adjacent surfaces.
- Be sure that no ventilation slots on the product's housing are blocked.
- Never connect the product to a dimmer.
- Never carry the product from the power cord or any moving part. Always use the handles.
- Never disconnect the product from power by pulling or tugging on the cord.
- The maximum ambient temperature (Ta) is 104 °F (40 °C). Do not operate the product at higher temperatures.
- In the event of a serious operating problem, stop using the product immediately.
- Never try to repair the product. Repairs carried out by unskilled people can lead to damage or malfunction. Contact the nearest authorized technical assistance center.
- This product is not intended for permanent installation. Mounting in any form is not recommended. Operate the product while it is on the ground.
- Not for space heating purposes.

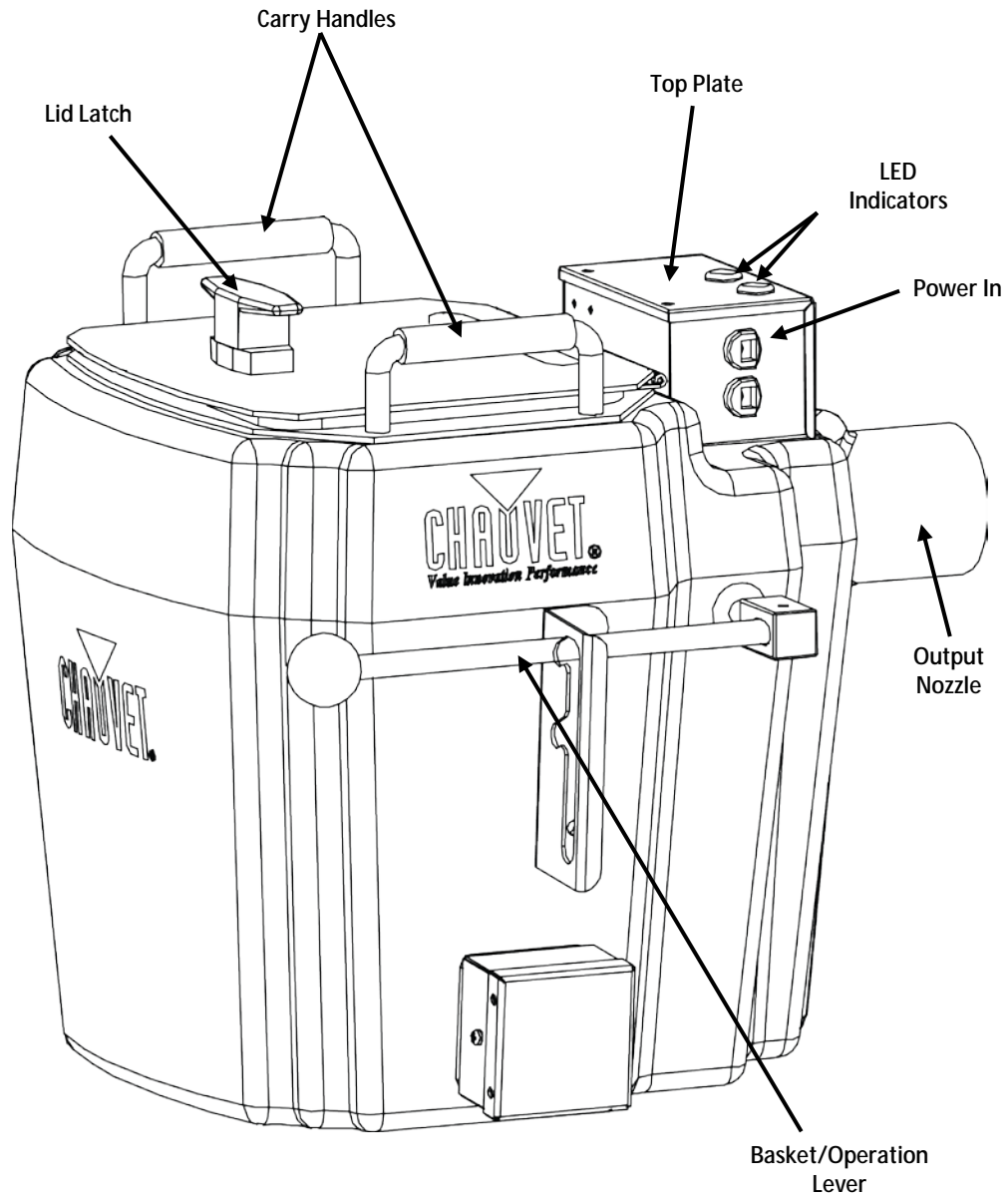


- The maximum water temperature should be about 175 °F (79 °C).
- Keep this User Manual for future use. If you sell the product to another user, be sure to give this document to the next owner.

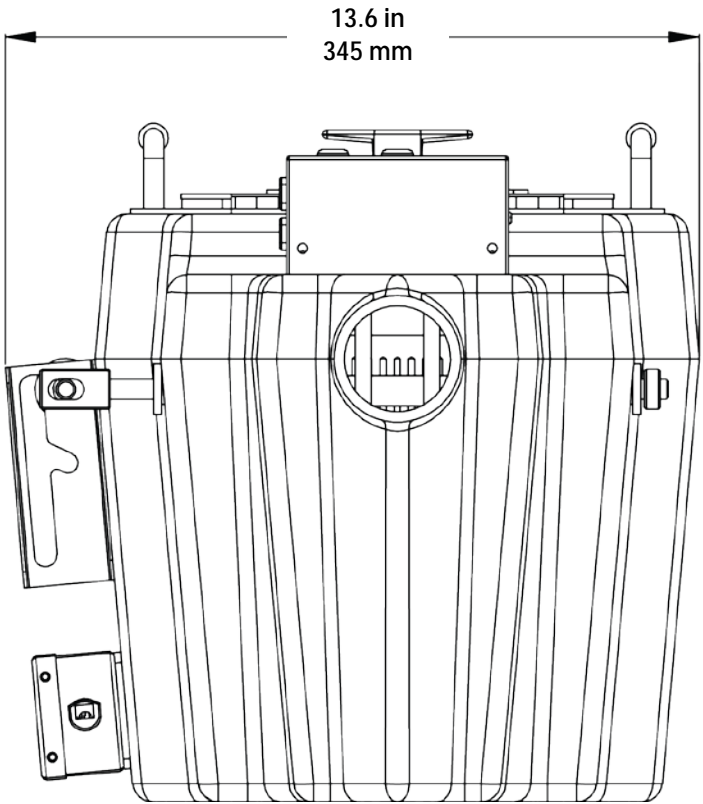
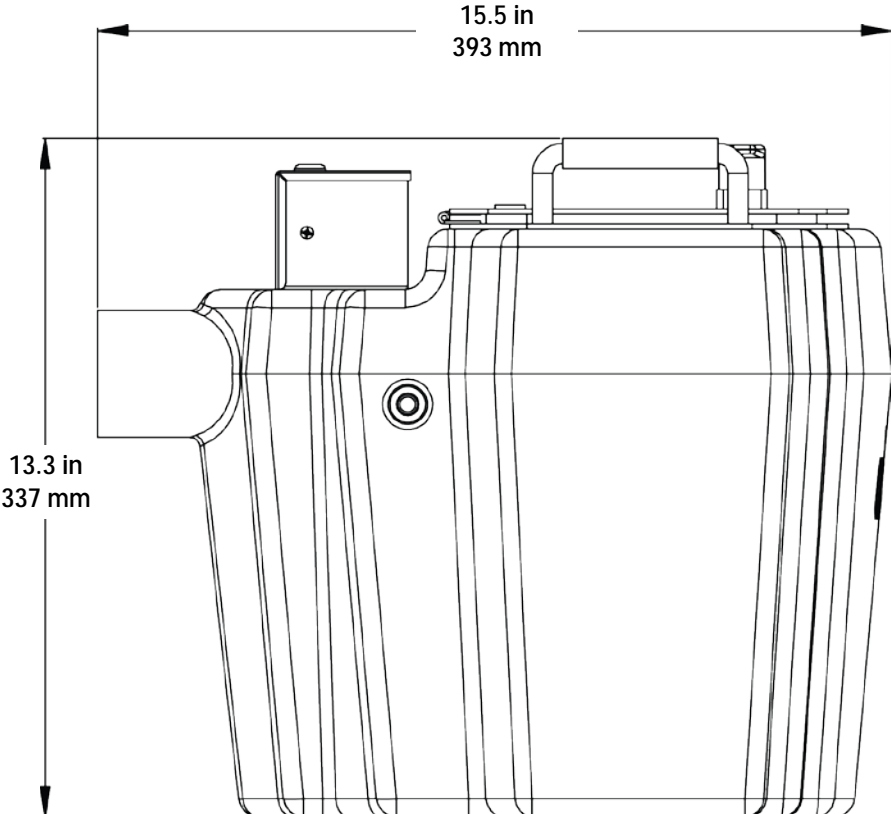
---

## 2. INTRODUCTION

### Overview



# Dimensions



---

## 3. SETUP

**AC Power** The Nimbus™ Jr. has a fixed voltage power supply and it can work with an input voltage of either 120 VAC, 60 Hz or 230 VAC, 50 Hz, depending on the specific model.

To determine the product's power requirements (circuit breaker, power outlet, and wiring), use the current value listed on the label affixed to the product's back panel, or refer to the product's specifications chart. The listed current rating indicates the product's average current draw under normal conditions.



**Always connect the product to a protected circuit (circuit breaker or fuse). Make sure the product has an appropriate electrical ground to avoid the risk of electrocution or fire.**



**Never connect the product to a rheostat (variable resistor) or dimmer circuit, even if the rheostat or dimmer channel serves only as a 0 to 100% switch.**

### About Dry Ice and CO<sub>2</sub>

Dry ice is a solid form of carbon dioxide. The term "dry ice" is used because of its ability to sublime — the process of transforming from a solid directly to a gas without any liquid formation. Dry ice reaches a temperature of -189.5 °F (-87.5 °C).

When immersed in hot or boiling water, dry ice sublimates and agitates the water. The released cold CO<sub>2</sub> gas causes the water vapor to form water droplets in the air. This expansion of gas and moisture pushes its way out of the machine. Because the CO<sub>2</sub> is cold and heavy, the moisture sinks to the floor. The droplets in the air create the fog effect.

### Dry Ice Warnings



- Do not cover or plug the output nozzle during operation. Compressing the dry ice will cause a chemical reaction that may lead to an explosion.
- Do not handle dry ice with bare hands. Thick gloves must be worn.
- Do not swallow dry ice. It will lead to severe internal injuries.
- Before breaking the dry ice, cover it with a piece of cloth or place the block in a cloth bag. Eye protection must be worn.
- Do not use in a confined space. Make sure the room is well ventilated before beginning usage.
- Dry ice should never be stored in a sealed container that can lead to a pressure build-up and a risk of an explosion.



---

## 4. OPERATION

**Setup** The top plate has two LED indicators – one red and one green. The red LED indicates that the heater is on, and the green LED indicates the water is at its optimal operating temperature. The heater will not turn on unless there is enough water.

As the dry ice sublimates, the water will cool and the green LED indicator will turn off. This is normal and the Nimbus™ Jr will continue to operate until all the dry ice is used.

The dry ice must be stored inside the internal basket for optimal performance. Do not remove this basket as serious bodily injury may occur.



**During operation, do not touch the top plate; it becomes very hot.**

### Operation

1. Place the machine on a level surface and connect the product to a suitable power outlet.
2. Raise the basket to its highest level with the operation lever.
3. Open the lid and fill with water until the red light appears. The container can hold up to 2.6 gallons (9.8 liters).
4. Using protective gear, load the basket with up to 5 lb (2.3 kg) of dry ice. The dry ice should be loaded at the last possible moment.
5. Close and latch the lid.
6. Grab the operating lever and slowly lower the handle to the middle notch for low output or all the way down for high output.
7. When the output slows or stops, raise and refill the basket.



**Water temperature should be about 175° F (79° C) for optimal fog output.**

**You may need to refill the Nimbus™ Jr with water from time to time. Once refilled, wait for the red LED indicator to come on before repeating Operation steps 4–7.**

### Safety Shutoff Feature

The Nimbus™ Jr. is fitted with a safety shutoff feature, which prevents the unit's heaters from turning on when the water level is too low. If this safety shutoff feature has been engaged, simply add more water to continue using the Nimbus™ Jr.

## 5. TECHNICAL INFORMATION

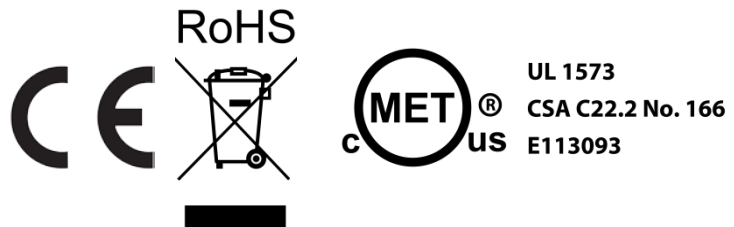
### Maintenance

The Nimbus™ Jr. requires minimal upkeep in order to maintain optimum performance. However, some steps are needed in order to clean and maintain the product for maximum usage. The recommended procedure is as follows:

1. After use, wait for the machine and any remaining water inside to reach room temperature.
2. Dump all the cooled water from the internal tank of the product. You may risk bodily harm and damage to items if the water is still hot.

## 6. TECHNICAL SPECIFICATIONS

<b>Dimensions and Weight</b>	<b>Length</b>	<b>Width</b>	<b>Height</b>	<b>Weight</b>
	15.5 in (393 mm)	13.6 in (345 mm)	13.3 in (337 mm)	Empty: 14.6 lb (6.6 kg) Full: 34 lb (15.5 kg)
<b>Note:</b> Dimensions in inches rounded to the nearest decimal digit.				
<b>Power</b>	<b>Power Supply Type</b>	<b>Range</b>		<b>Voltage Selection</b>
	Model specific	120 V, 60 Hz or 230 V, 50 Hz		Voltage specific
	<b>Parameter</b>	<b>120 V, 60 Hz</b>		<b>230 V, 50 Hz</b>
	Consumption	1,500 W		1,400 W
	Operating current	12.2 A		6.2 A
<b>Power I/O</b>	<b>US/Worldwide</b>		<b>UK/Europe</b>	
	Power input connector		Edison (US) Local plug	
<b>Heat Element</b>	<b>Heat-up Time</b>		<b>Reheat Time</b>	
	20 min		10 min	
	<b>Average Runtime</b>	<b>Tank Capacity</b>	<b>Dry Ice Capacity</b>	
	2.5 min	2.6 gal (9.8 L)	5 lb (2.3 kg)	
<b>Thermal</b>	<b>Maximum External Temp.</b>		<b>Maximum Water Temperature</b>	
	104 °F (40 °C)		175 °F (79 °C)	
<b>Ordering</b>	<b>Product Name</b>	<b>Item Code</b>	<b>UPC Number</b>	
	Nimbus™ Jr. (120 V)	05070678	781462210267	
	Nimbus™ Jr. (230 V)	05070679	781462210274	



---

## Returns

To return a product or request support:

- In the U.S., contact CHAUVET® World Headquarters (see below).
- In the UK or Ireland, contact CHAUVET® Europe Ltd. (see below).
- In any other country, DO NOT contact CHAUVET®. Contact your distributor. See [www.chauvetlighting.com](http://www.chauvetlighting.com) for distributors outside the U.S., United Kingdom, or Ireland.



**If you live outside the U.S., United Kingdom, or Ireland, contact your distributor of record and follow their instructions on how to return CHAUVET® products to them. Visit our website for contact details.**

Call the corresponding CHAUVET® Technical Support office and request a Return Merchandise Authorization (RMA) number before shipping the product. Be prepared to provide the model number, serial number, and a brief description of the cause for the return.

You must send the merchandise prepaid, in its original box, and with its original packing and accessories. CHAUVET® will not issue call tags.

Clearly label the package with the RMA number. CHAUVET® will refuse any product returned without an RMA number.



**Write the RMA number on a properly affixed label. DO NOT write the RMA number directly on the box.**

Before sending the product, clearly write the following information on a piece of paper and place it inside the box:

- Your name
- Your address
- Your phone number
- RMA number
- A brief description of the problem

Be sure to pack the product properly. Any shipping damage resulting from inadequate packaging will be your responsibility. FedEx packing or double-boxing are recommended.



**CHAUVET® reserves the right to use its own discretion to repair or replace returned product(s).**

## Contact Us

### World Headquarters

CHAUVET®

#### General Information

Address: 5200 NW 108th Avenue  
Sunrise, FL 33351  
Voice: (954) 577-4455  
Fax: (954) 929-5560  
Toll free: (800) 762-1084

#### Technical Support

Voice: (954) 577-4455 (Press 4)  
Fax: (954) 756-8015  
Email: [tech@chauvetlighting.com](mailto:tech@chauvetlighting.com)

#### World Wide Web

[www.chauvetlighting.com](http://www.chauvetlighting.com)

### United Kingdom & Ireland

CHAUVET® Europe Ltd.

#### General Information

Address: Unit 1C  
Brookhill Road Industrial Estate  
Pinxton, Nottingham, UK  
NG16 6NT  
Voice: +44 (0)1773 511115  
Fax: +44 (0)1773 511110

#### Technical Support

Email: [uktech@chauvetlighting.com](mailto:uktech@chauvetlighting.com)

#### World Wide Web

[www.chauvetlighting.co.uk](http://www.chauvetlighting.co.uk)