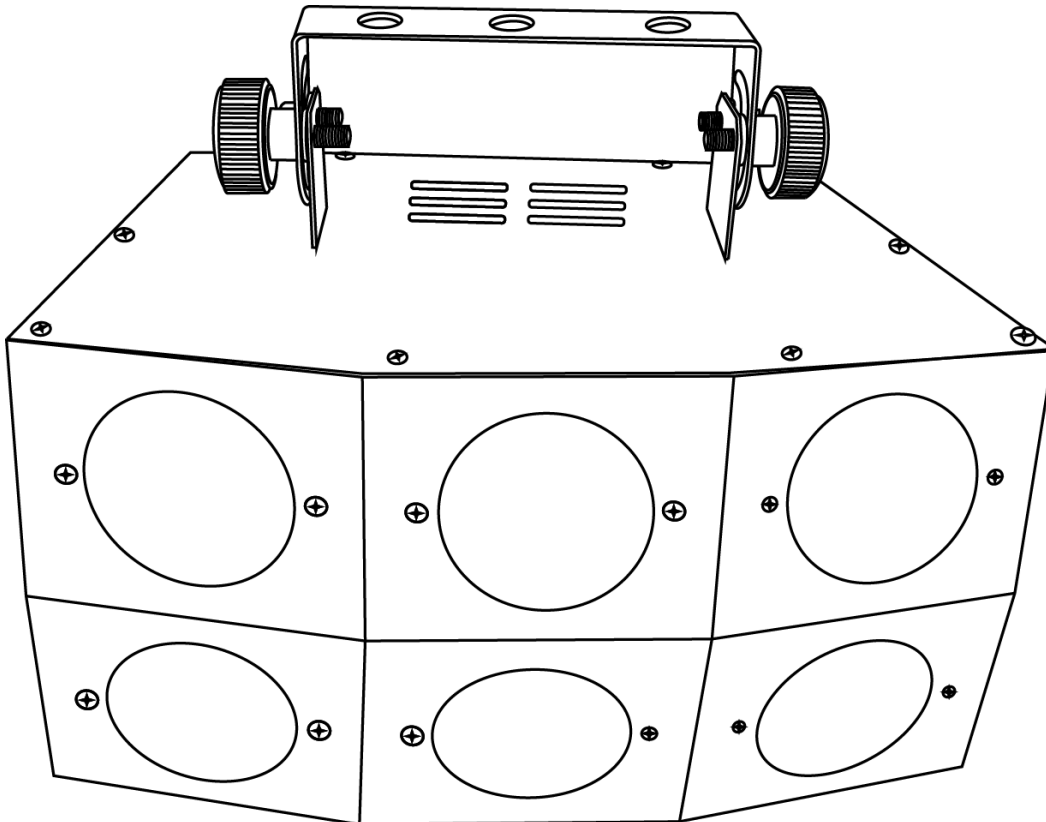


HIVE™

User Manual



CHAUVET®
Value · Innovation · Performance
It's
Green Thinking.™

TABLE OF CONTENTS

1. Before You Begin	3
What Is Included	3
Unpacking Instructions	3
Claims	3
Text Conventions	3
Symbols	3
Disclaimer	3
Product at a Glance	4
Safety Notes	4
2. Introduction	5
Overview	5
Dimensions	6
3. Setup	7
AC Power	7
Fuse Replacement	7
Power Linking	8
Mounting	9
Orientation	9
Rigging	9
4. Operation	10
Control Panel Operation	10
Menu Map	10
Configuration (DMX)	11
Starting Address	11
DMX Personality	11
HIVE™ Sections for DMX Control	11
DMX Channel Modes, Assignments, and Values	12
20-Channel	12
3-Channel	13
Configuration (Standalone)	14
Auto Program including Sound-Active Mode	14
Custom Color Mixing and Strobe Settings	15
Display Orientation	15
Display Background Light	15
Software Version	15
Master/Slave Mode	16
5. Technical Information	17
Product Maintenance	17
6. Technical Specifications	18
Returns	19
Contact Us	19

1. BEFORE YOU BEGIN

What Is Included

- HIVE™
- Power Cord
- Warranty Card
- Quick Reference Guide

Unpacking Instructions

Carefully unpack the product immediately and check the container to make sure all the parts are in the package and are in good condition.

Claims




If the box or the contents (the product and included accessories) appear damaged from shipping, or show signs of mishandling, notify the carrier immediately, not CHAUVET®. Failure to report damage to the carrier immediately may invalidate your claim. In addition, keep the box and contents for inspection.

For other issues, such as missing components or parts, damage not related to shipping, or concealed damage, file a claim with CHAUVET® within 7 days of delivery.

Text Conventions

Convention	Meaning
1—512	A range of values
50/60	A set of values of which only one can be chosen
Settings	A menu option not to be modified
Menu > Settings	A sequence of menu options to be followed
<ENTER>	A key to be pressed on the product's control panel
ON	A value to be entered or selected

Symbols

Symbol	Meaning
	Critical installation, configuration, or operation information. Not following these instructions may make the product not work, cause damage to the product, or cause harm to the operator.
	Important installation or configuration information. The product may not function correctly if this information is not used.
	Useful information.

Disclaimer

The information and specifications contained in this User Manual are subject to change without notice. CHAUVET® assumes no responsibility or liability for any errors or omissions, and reserves the right to revise or recreate this manual at any time. Download the latest version from www.chauvetlighting.com.

© Copyright 2013 CHAUVET®. All rights reserved.

Electronically published by CHAUVET® in the United States of America.

Author	Date	Editor	Date
A. Leon	06/25/13	T. Yeago	06/25/13

Product at a Glance

Use on Dimmer	X	Auto Programs	P
Outdoor Use	X	Auto-ranging Power Supply	P
Sound-Activated	P	Replaceable Fuse	P
DMX	P	User-Serviceable	X
Master/Slave	P		

Safety Notes

These notes include important information about the mounting, usage, and maintenance of this product; read before using the product.



- Always connect the product to a grounded circuit to avoid the risk of electrocution.
- Always disconnect the product from the power source before cleaning or replacing the fuse.
- Avoid direct eye exposure to the light source while the product is on.
- Make sure the power cord is not crimped or damaged.
- Never disconnect the product from power by pulling or tugging on the cord.
- If mounting the product overhead, always secure to a fastening device using a safety cable.
- Make sure there are no flammable materials close to the product when operating.
- Do not touch the product's housing when operating because it may be very hot.



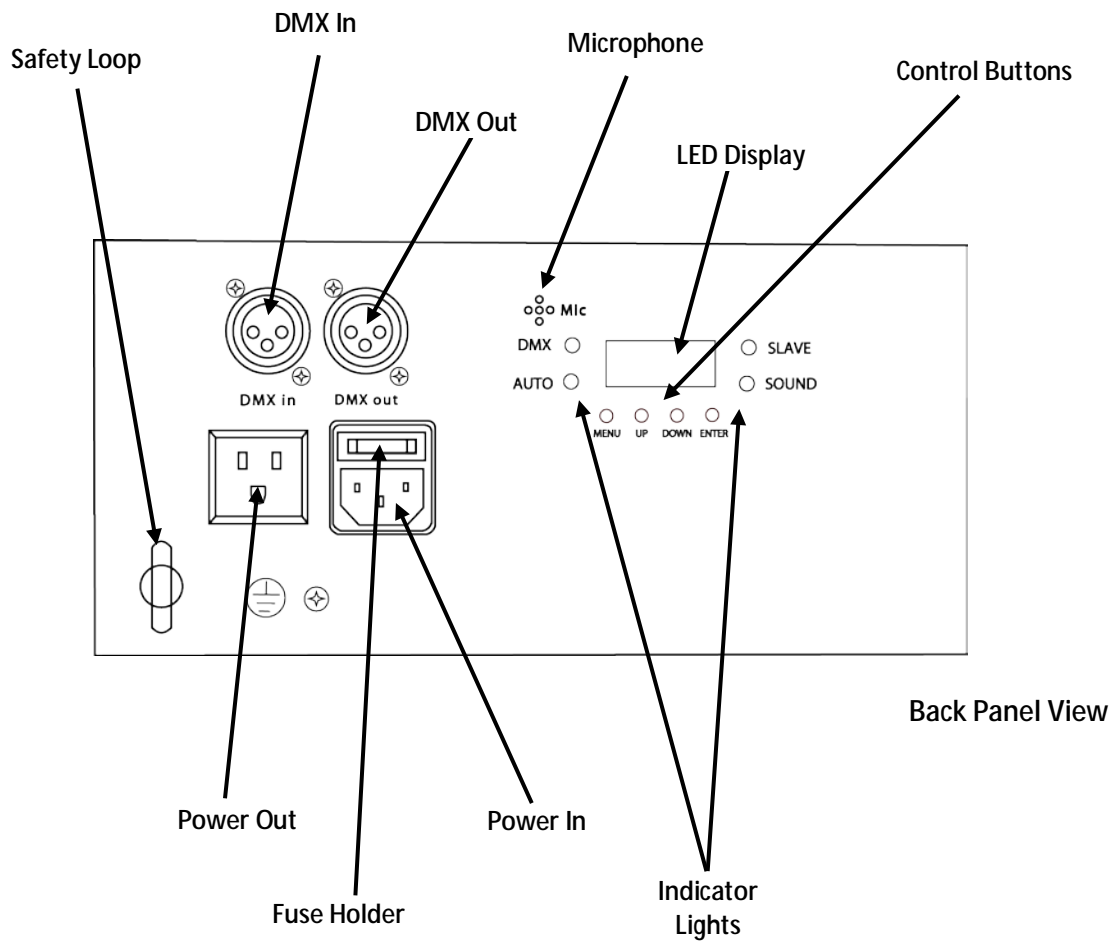
- Always make sure that the voltage of the outlet to which you are connecting the product is within the range stated on the decal or rear panel of the product.
- The product is for indoor use only! (IP20) To prevent risk of fire or shock, do not expose the product to rain or moisture.
- Always install the product in a location with adequate ventilation, at least 20 in (50 cm) from adjacent surfaces.
- Be sure that no ventilation slots on the product's housing are blocked.
- Never connect the product to a dimmer.
- Make sure to replace the fuse with another of the same type and rating.
- Never carry the product from the power cord or any moving part. Always use the hanging/mounting bracket.
- The maximum ambient temperature (Ta) is 104 °F (40 °C). Do not operate the product at higher temperatures.
- In the event of a serious operating problem, stop using the product immediately.
- Never try to repair the product. Repairs carried out by unskilled people can lead to damage or malfunction. Contact the nearest authorized technical assistance center.
- This product is not intended for permanent installation.



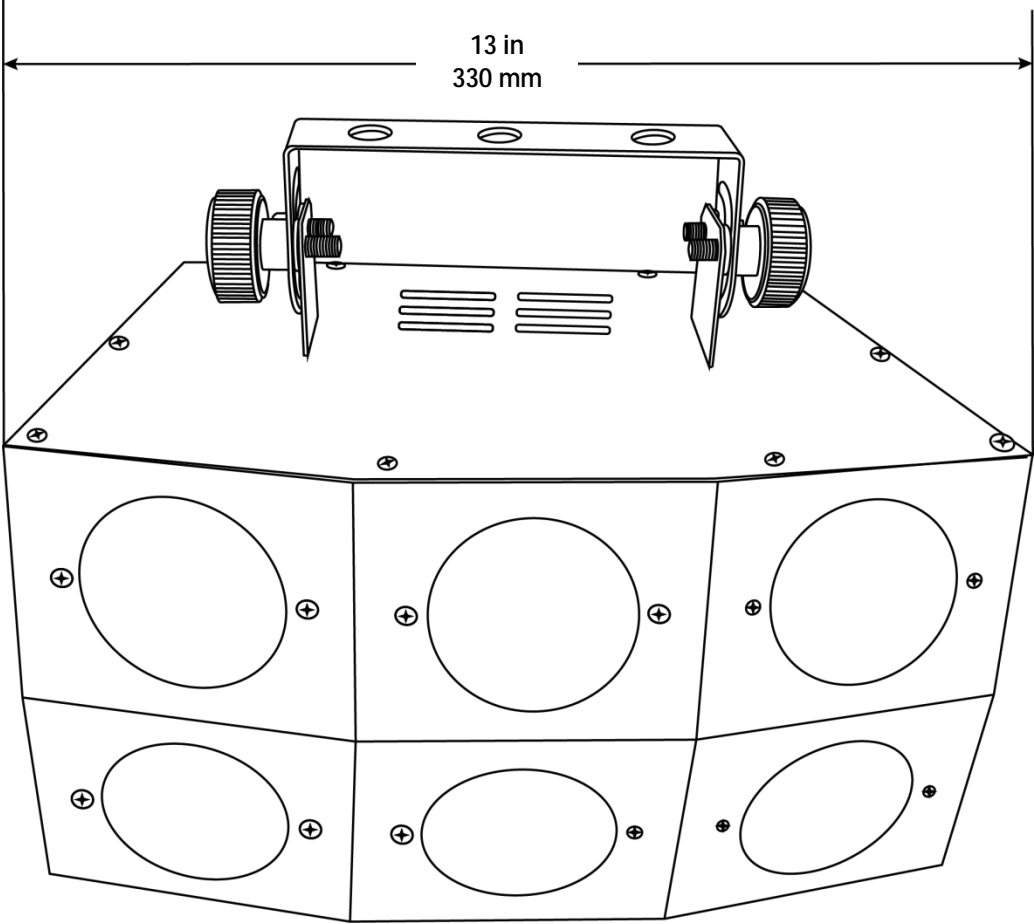
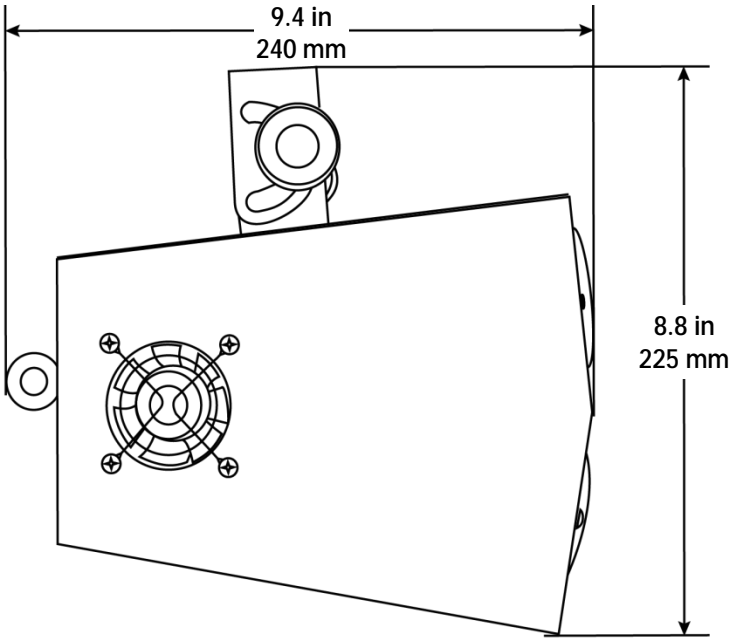
- Keep this User Manual for future use. If you sell the product to another user, be sure to give this document to the next owner.

2. INTRODUCTION

Overview



Dimensions



3. SETUP

AC Power The HIVE™ has an auto-ranging power supply and it can work with an input voltage range of 100~240 VAC, 50/60 Hz.

To determine the product's power requirements (circuit breaker, power outlet, and wiring), use the current value listed on the label affixed to the product's back panel, or refer to the product's specifications chart. The listed current rating indicates the product's average current draw under normal conditions.



Always connect the product to a protected circuit (circuit breaker or fuse). Make sure the product has an appropriate electrical ground to avoid the risk of electrocution or fire.



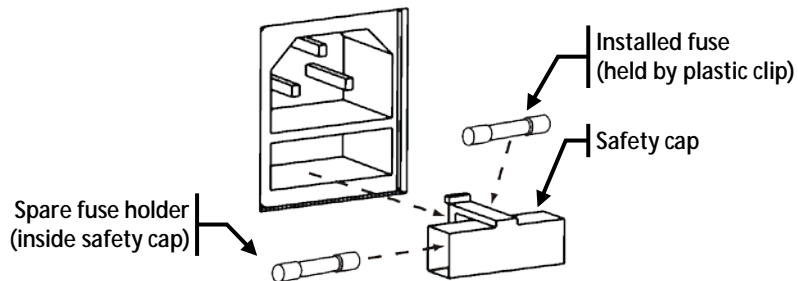
Never connect the product to a rheostat (variable resistor) or dimmer circuit, even if the rheostat or dimmer channel serves only as a 0–100% switch.

Fuse Replacement



Disconnect the product from power before replacing the fuse.

1. Disconnect the product from power.
2. Wedge the tip of a flat-head screwdriver into the slot of the fuse holder.
3. Pry the fuse holder out of the housing.
4. Remove the blown fuse from the holder.
5. Replace with a fuse of the exact same type and rating.
6. Insert the fuse holder back in place and reconnect power.

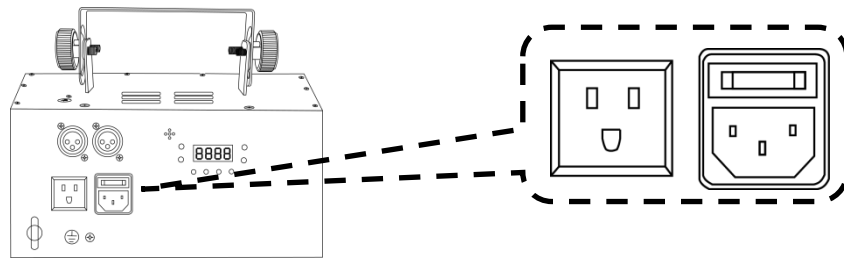


A spare fuse is not included; however, the safety cap has room for a spare.

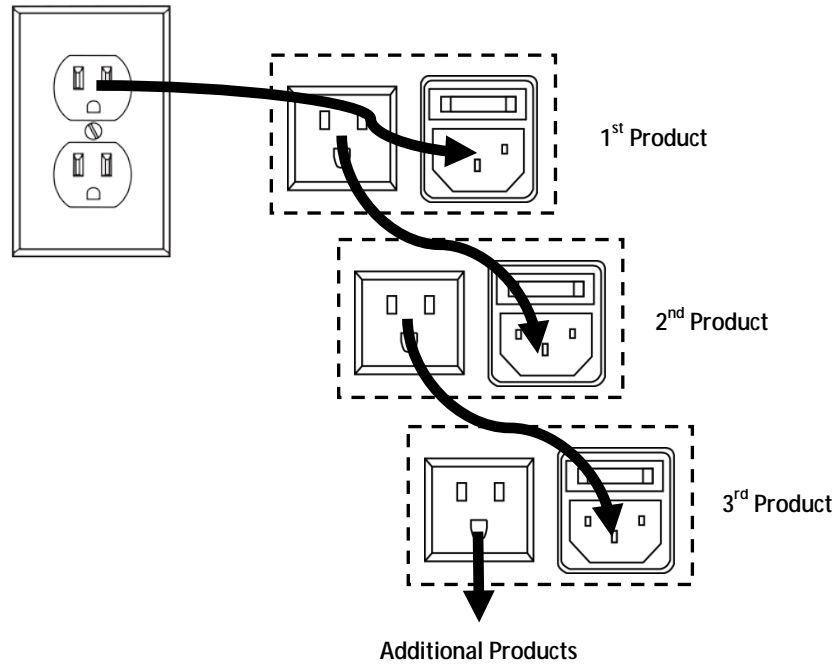


Always replace a blown fuse with the same type and rating.

Power Linking The product provides power linking via the Edison/IEC outlet located in the back of the unit.



Power Linking Diagram



You can power link up to 5 HIVE™ units on 120 VAC or up to 10 HIVE™ units on 230 VAC.



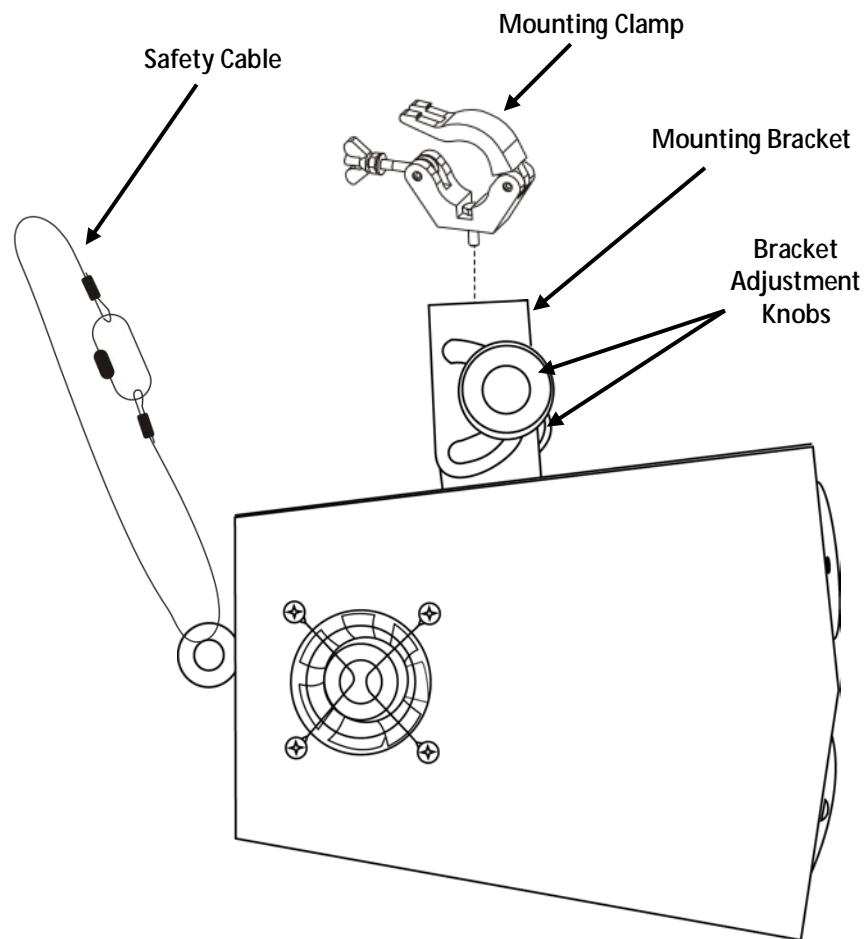
The power linking diagram shown above corresponds to the North American version of the product ONLY! If using the product in other markets, you must consult with the local CHAUVET® distributor as power linking connectors and requirements may differ in your country or region.

Mounting Before mounting the product, read and follow the safety recommendations indicated in the Safety Notes.

Orientation The HIVE™ may be mounted in any position; however, make sure adequate ventilation is provided around the product.

- Rigging**
- Before deciding on a location, always make sure there is easy access to the product for maintenance and programming.
 - Make sure that the structure or surface onto which you are mounting the product can support the product's weight (see the [Technical Specifications](#)).
 - When mounting the product overhead, always use a safety cable. Mount the product securely to a rigging point, such as an elevated platform or a truss.
 - When rigging the product onto a truss, you should use a mounting clamp of appropriate weight capacity. The bracket has 13-mm holes, which are appropriate for this purpose.
 - When power linking multiple products, you must always consider the length of the power linking cable and mount the products close enough for the cable to reach.
 - The bracket adjustment knobs allow for directional adjustment when aiming the product to the desired angle. Only loosen or tighten the bracket knobs manually. Using tools could damage the knobs.
 - The mounting bracket allows for surface mounting. When mounting the product on the floor, make sure that the product and cables are away from people and vehicles.

Mounting Diagram



4. OPERATION

Control Panel Operation

To access the control panel functions, use the four buttons located underneath the display.

Button	Function
<MENU>	Selects an operation mode or backs out of the current menu option
<UP>	Scrolls up the list of options or selects a higher value
<DOWN>	Scrolls down the list of options or selects a lower value
<ENTER>	Activates a menu option or a selected value

Menu Map

Main Level	Programming Levels	Description
Addr	001–512	Sets the DMX starting address
CHnd	3CH	3-channel mode
	20CH	20-channel mode
SLnd	SL-0	Slave mode 0
	SL-1	Slave mode 1 (reserved for future use)
AUto	rUn	Auto program
CoLo	rEd 0–255	Red (0–100%)
	GrEE 0–255	Green (0–100%)
	bLUE 0–255	Blue (0–100%)
	So1	Strobe, slow speed
	So2	Strobe, medium speed
	So3	Strobe, fast speed
LEd	on	LED background light on
	oFF	LED background light off
dISP	dISP	Normal display
	dSIP	Inverted display
VEr		Shows currently installed software version



The programming level Slave mode 1 (SL-1) may or may not show on the product's display. When selecting the Slave mode, use SL-0. Slave mode 1 (SL-1) is reserved for future use.

Configuration (DMX)

Set the product in DMX mode to control with a DMX controller.

1. Connect the product to a suitable power outlet.
2. Connect a DMX cable from the DMX output of the DMX controller to the DMX input socket on the product.

Starting Address

When selecting a starting DMX address, always consider the number of DMX channels the selected DMX mode uses. If you choose a starting address that is too high, you could restrict the access to some of the product's channels.

The HIVE™ uses up to 20 DMX channels in its 20-channel DMX mode, which defines the highest configurable address to **493**.

If unfamiliar with DMX, download the DMX Primer from www.chauvetlighting.com.

To select the starting address, do the following:

1. Press **<MENU>** to reach the menu's main level and **Addr** shows on the display.
2. Press **<ENTER>**.
3. Use **<UP>** or **<DOWN>** to select the starting address.
4. Press **<ENTER>**.

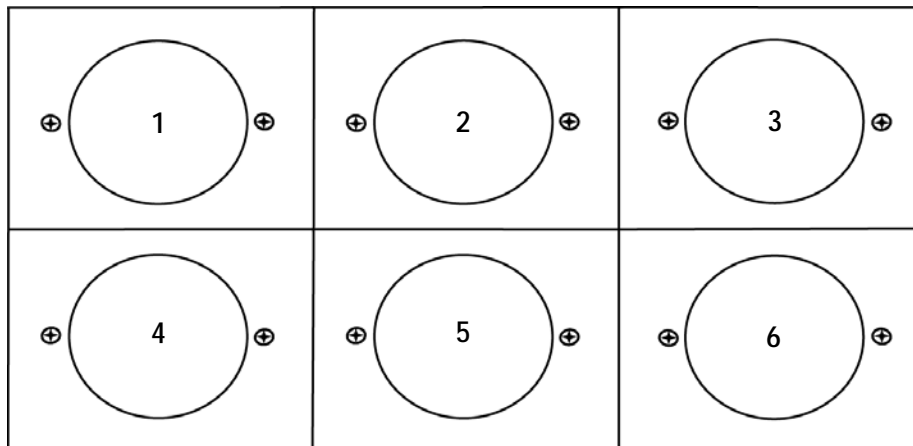
DMX Personality

The HIVE™ has two DMX personalities, a 3-channel mode and a 20-channel mode.

To choose a DMX personality, follow the steps below:

1. Press **<MENU>** to reach the menu's main level and **Addr** shows on the display.
2. Use **<UP>** or **<DOWN>** to select **CHnd**.
3. Press **<ENTER>** and either **3CH** (3-channel mode) or **20CH** (20-channel mode) shows on the display.
4. Use **<UP>** or **<DOWN>** to select the desired DMX personality.
5. Press **<ENTER>**.

HIVE™ Sections for DMX Control



DMX Channel Modes, Assignments, and Values

20-Channel	Channel	Function	Value	Setting	Pod
	1	Red	000 ◊ 255	0–100%	1
	2	Green	000 ◊ 255	0–100%	
	3	Blue	000 ◊ 255	0–100%	
	4	Red	000 ◊ 255	0–100%	2
	5	Green	000 ◊ 255	0–100%	
	6	Blue	000 ◊ 255	0–100%	
	7	Red	000 ◊ 255	0–100%	3
	8	Green	000 ◊ 255	0–100%	
	9	Blue	000 ◊ 255	0–100%	
	10	Red	000 ◊ 255	0–100%	4
	11	Green	000 ◊ 255	0–100%	
	12	Blue	000 ◊ 255	0–100%	
	13	Red	000 ◊ 255	0–100%	5
	14	Green	000 ◊ 255	0–100%	
	15	Blue	000 ◊ 255	0–100%	
	16	Red	000 ◊ 255	0–100%	6
	17	Green	000 ◊ 255	0–100%	
	18	Blue	000 ◊ 255	0–100%	
	19	Strobe	000 ◊ 255	0–100%	
	20	Auto Program	000 ◊ 001 002 ◊ 255	No function Auto program, slow to fast	

3-Channel	Channel	Function	Value	Setting
	1	Auto Programs	000 ó 004	No function
			005 ó 020	Auto Program 1
			021 ó 035	Auto Program 2
			036 ó 050	Auto Program 3
			051 ó 065	Auto Program 4
			066 ó 080	Auto Program 5
			081 ó 095	Auto Program 6
			096 ó 110	Auto Program 7
			111 ó 125	Auto Program 8
			126 ó 140	Auto Program 9
			141 ó 155	Auto Program 10
			156 ó 170	Auto Program 11
			171 ó 185	Auto Program 12
	186 ó 200	Auto Program 13		
	201 ó 215	Auto Program 14		
	216 ó 230	Auto Program 15		
	231 ó 245	Auto Program 16 (Auto Programs 1–15 in sequential order)		
		246 ó 255	Sound-Active	
	2	Strobe	000 ó 255	Slow to fast
	3	Speed	000 ó 255	Auto programs speed, slow to fast

Configuration (Standalone)

Set the product in one of the standalone modes to control without a DMX controller.

- Connect the product to a suitable power outlet.



Never connect a product that is operating in any standalone mode (either Static, Auto, or Sound-Active) to a DMX string connected to a DMX controller. Products in standalone mode may transmit DMX signals that could interfere with the DMX signals from the controller.

Auto Program including Sound-Active Mode

To enable the auto (Sound-Active) program, follow the instructions below:

1. Press **<MENU>** to reach the menu's main level and **Addr** shows on the display.
2. Use **<UP>** or **<DOWN>** until **AUto** shows on the display.
3. Press **<ENTER>** and **rUn** shows on the display.
4. Press **<ENTER>**.

NOTE: While in Auto Program mode, the HIVE™ will respond to sound.



The product will only respond to low frequencies of music (bass and drums).

Custom Color Mixing and Strobe Settings

To custom mix a color and select the strobe speed, do the following:

1. Press **<MENU>** to reach the menu's main level and **Addr** shows on the display.
2. Use **<UP>** or **<DOWN>** until **CoLo** shows on the display.
3. Press **<ENTER>** and one of the following shows on the display:
 - **rEd** (red)
 - **GrEE** (green)
 - **bLUE** (blue)
 - **So1** (strobe, slow speed)
 - **So2** (strobe, medium speed)
 - **So3** (strobe, fast speed)
4. Use **<UP>** or **<DOWN>** to select the desired color or the strobe speed setting.
5. When the desired color or strobe speed shows on the display, press **<ENTER>**. With the color options, after pressing **<ENTER>**, the color value **0–255** (0–100%) shows on the display. Use **<UP>** or **<DOWN>** to select the desired color value.
NOTE: Selecting **0** will turn the color off.
6. Press **<ENTER>** to set the color value/strobe speed.
7. Repeat steps 4 to 6 until you have your desired color and strobe speed.
NOTE: For no strobe effect, do not press **<ENTER>** when a strobe option shows on the display

Display Orientation

You are able to flip the LED display for easy readability in any mounting situation.

To select your display's orientation, follow the instructions below:

1. Press **<MENU>** to reach the menu's main level and **Addr** shows on the display.
2. Use **<UP>** or **<DOWN>** until **dISP** shows on the display.
3. Press **<ENTER>** and use **<UP>** or **<DOWN>** to select **dISP** (normal display) or **dSIP** (inverse display).
4. Press **<ENTER>**.

Display Background Light

You can select whether the display's background light stays on or off after control panel inactivity.

To select either option for the display's background light, follow the instructions below:

1. Press **<MENU>** to reach the menu's main level and **Addr** shows on the display.
2. Use **<UP>** or **<DOWN>** until **LEd** shows on the display.
3. Press **<ENTER>** and **on** or **off** shows on the display.
4. Use **<UP>** or **<DOWN>** to select the desired option.
5. Press **<ENTER>**.

Software Version

With the HIVE™ you can access which is the currently installed software version.

To access this information, do the following:

1. Press **<MENU>** to reach the menu's main level and **Addr** shows on the display.
2. Use **<UP>** or **<DOWN>** until **VEr** shows on the display.
3. Press **<ENTER>**.

Master/Slave Mode

The Master/Slave mode allows a single HIVE™ unit (the “master”) to control the actions of one or more HIVE™ units (the “slaves”) without the need of a DMX controller. The master unit will be set to operate in Auto Program mode, while the slave units will be set to operate in a Slave mode (**SL-0** or **SL-1**). Once set and connected, the slave units will operate in unison with the master unit.

Configure the units as indicated below.

Slave units:

1. Press **<MENU>** to reach the menu’s main level and **Addr** shows on the display.
2. Use **<UP>** or **<DOWN>** until **SLnd** shows on the display.
3. Press **<ENTER>** and **SL-0** (Slave mode 0) shows on the display.
NOTE: In addition to **SL-0**, **SL-1** may or may not show on the display. The **SL-1** option is reserved for future use.
4. If both **SL-0** and **SL-1** show on the display, use **<UP>** or **<DOWN>** to select **SL-0**.
5. Press **<ENTER>**.
6. Connect the DMX input of the first slave unit to the DMX output of the master unit.
7. Connect the DMX input of the subsequent slave units to the DMX output of the previous slave unit.
8. Finish setting and connecting all the slave units.

Master unit:

1. Set the master unit to operate in Auto Program mode.
2. Make the master unit the first unit in the DMX daisy chain.



- **Configure all the slave units before connecting the master unit to the DMX daisy chain.**
- **Never connect a DMX controller to a DMX string configured for Master/Slave operation because the controller may interfere with the signals from the master unit.**
- **Do not connect more than 31 slave units to the master unit.**

5. TECHNICAL INFORMATION

Product Maintenance

Dust build-up reduces light output performance and can cause overheating. This can lead to reduction of the light source's life and/or mechanical wear. To maintain optimum performance and minimize wear, clean the product at least twice a month. However, usage and environmental conditions contribute to increased cleaning frequency.

To clean the product, follow the instructions below:

- Unplug the product from power.
- Wait until the product is at room temperature.
- Use a vacuum (or dry compressed air) and a soft brush to remove dust collected on the external surface/vents.
- Clean all external optics and glass/transparent surfaces with a mild soap solution, ammonia-free glass cleaner, or isopropyl alcohol.
- Apply the solution directly to a soft, lint-free cotton cloth or a lens cleaning tissue.
- Softly wipe any dirt or grime to the outside edges of the external optics or glass/transparent surface.
- Gently polish the external optics and glass/transparent surfaces until they are free of haze and lint.



Always dry the external optics and glass/transparent surfaces carefully after cleaning them.



Do not spin the cooling fan/fans using compressed air because you could damage them.

6. TECHNICAL SPECIFICATIONS

Dimensions and Weight	Length	Width	Height	Weight
	9.4 in (240 mm)	13 in (330 mm)	8.8 in (225 mm)	9.2 lb (4.2 kg)
NOTE: Dimensions in inches rounded to the nearest decimal digit.				
Power	Power Supply Type	Range	Voltage Selection	
	Switching (internal)	100~240 V, 50/60 Hz	Auto-ranging	
	Parameter	120 V, 60 Hz	230 V, 50 Hz	
	Consumption	167 W	174 W	
	Operating current	1.4 A	0.7 A	
Light Source	Power I/O	US/Worldwide	UK/Europe	
	Power linking current (units)	8 A (5 units)	8 A (10 units)	
	Fuse	F 2 A, 250 V	F 2 A, 250 V	
	Power input connector	IEC	IEC	
	Power output connector	Edison	IEC	
Photo Optic	Power Cord plug	Edison (US)	Local plug	
	Type	Power	Lifespan	
	LED	3 W	50,000 hours	
	Color	Quantity	Current	
	Red	6	730 mA	
Thermal	Green	6	730 mA	
	Blue	6	730 mA	
DMX	Parameter			
	Coverage angle	44°		
Ordering	Maximum External Temp.	Cooling System		
	104 °F (40 °C)	Fan-cooled		
Ordering	I/O Connectors	Connector Type	Channel Range	
	3-pin XLR	Sockets	3, 20	
Ordering	Product Name	Item Code	UPC Number	
	HIVE™	07050687	781462210359	



To return a product or request support:

- In the U.S., contact CHAUVET® World Headquarters (see below).
- In the UK or Ireland, contact CHAUVET® Europe Ltd. (see below).
- In any other country, DO NOT contact CHAUVET®. Contact your distributor. See www.chauvetlighting.com for distributors outside the U.S., United Kingdom, or Ireland.



If you live outside the U.S., United Kingdom, or Ireland, contact your distributor of record and follow their instructions on how to return CHAUVET® products to them. Visit our website for contact details.

Returns

Call the corresponding CHAUVET® Technical Support office and request a Return Merchandise Authorization (RMA) number before shipping the product. Be prepared to provide the model number, serial number, and a brief description of the cause for the return.

You must send the merchandise prepaid, in its original box, and with its original packing and accessories. CHAUVET® will not issue call tags.

Clearly label the package with the RMA number. CHAUVET® will refuse any product returned without an RMA number.



Write the RMA number on a properly affixed label. DO NOT write the RMA number directly on the box.

Before sending the product, clearly write the following information on a piece of paper and place it inside the box:

- Your name
- Your address
- Your phone number
- RMA number
- A brief description of the problem

Be sure to pack the product properly. Any shipping damage resulting from inadequate packaging will be your responsibility. FedEx packing or double-boxing are recommended.



CHAUVET® reserves the right to use its own discretion to repair or replace returned product(s).

Contact Us

World Headquarters CHAUVET®

General Information

Address: 5200 NW 108th Avenue
Sunrise, FL 33351
Voice: (954) 577-4455
Fax: (954) 929-5560
Toll free: (800) 762-1084

Technical Support

Voice: (954) 577-4455 (Press 4)
Fax: (954) 756-8015
Email: tech@chauvetlighting.com

World Wide Web

www.chauvetlighting.com

United Kingdom & Ireland

CHAUVET® Europe Ltd.

General Information

Address: Unit 1C
Brookhill Road Industrial Estate
Pinxton, Nottingham, UK
NG16 6NT
Voice: +44 (0)1773 511115
Fax: +44 (0)1773 511110

Technical Support

Email: uktech@chauvetlighting.com

World Wide Web

www.chauvetlighting.co.uk