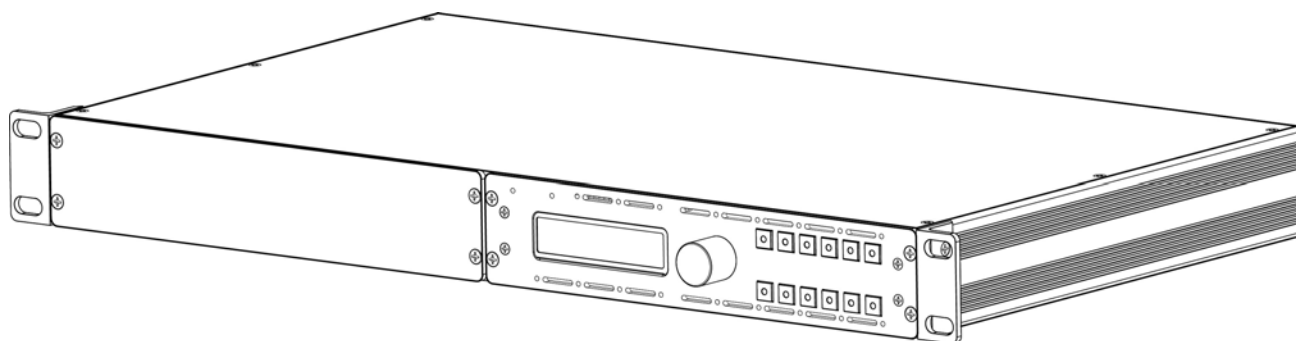


Vivid Drive 23N

Quick Reference Guide



CHAUVET

About This Guide

The Vivid Drive 23N Quick Reference Guide (QRG) has basic product information such as mounting and menu options. Download the User Manual from www.chauvetdj.com for more details.

Disclaimer

The information and specifications contained in this QRG are subject to change without notice.

Safety Notes

These Safety Notes include important information about installation, use, and maintenance.



- ONLY connect this product to a grounded and protected circuit.
- DISCONNECT from power before cleaning.
- Make sure the power cord is not crimped or damaged.
- Never disconnect this product from power by pulling on the cord.
- DO NOT allow flammable materials close to the product when it is operating.
- DO NOT touch the product's housing when it is on because it will be hot.



- The voltage of the outlet to which you are connecting this product must be within the range stated on the decal or rear panel of the product.
- This product is for indoor use only! (IP20) To prevent risk of fire or shock, do not expose this product to rain or moisture.
- Always mount this product in a location with adequate ventilation, at least 20 in (50 cm) from adjacent surfaces.
- Be sure that no ventilation slots on the unit's housing are blocked.
- Never connect this product to a dimmer or rheostat.
- Never carry the product by the power cord.
- The maximum ambient temperature is 104 °F (40 °C). Do not operate this product at higher temperatures.
- In the event of a serious operating problem, stop using immediately.
- DO NOT open this product. It contains no user-serviceable parts.
- To eliminate unnecessary wear and improve its lifespan, during periods of non-use completely disconnect the product from power via breaker or by unplugging it.

Contact

Outside the U.S., United Kingdom, Ireland, Benelux, France, Germany, or Mexico, contact your distributor to request support or return a product. Visit www.chauvetdj.com for contact information.

What is Included

- Vivid Drive 23N
- Power Cord
- Rack Mount Adapter
- DVI-to-DVI Jumper
- USB Cable
- Warranty Card
- Quick Reference Guide

To Begin

Unpack your Vivid Drive 23N and make sure you have received all parts in good condition. If the box or contents appear damaged, notify the carrier immediately, not Chauvet.

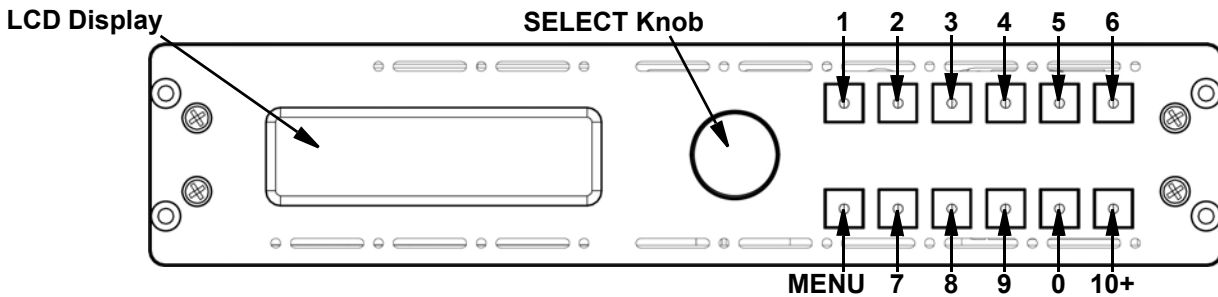
AC Power

This product has an auto-ranging power supply that works with an input voltage range of 100 to 240 VAC, 50/60 Hz.



To eliminate wear and improve its lifespan, during periods of non-use completely disconnect the product from power via breaker or by unplugging it.

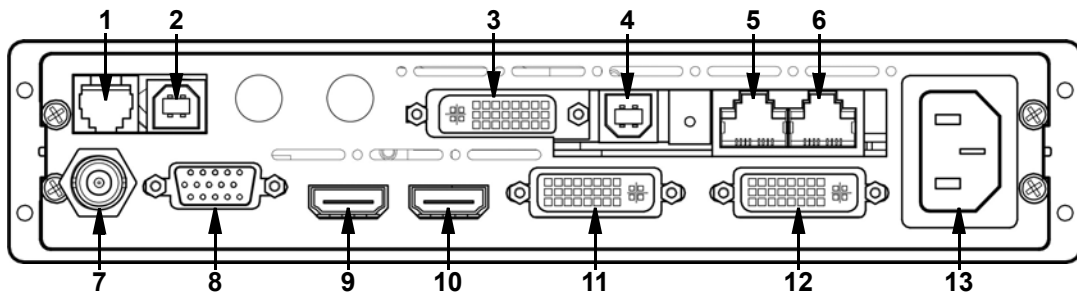
Product Front Overview



Control Panel Description

BUTTON/KNOB	FUNCTION
SELECT Knob	Rotate to navigate upwards or downwards through the menu list, and increase or decrease a selected numeric value. Push to enable the currently displayed menu option or set the currently selected value into the selected function.
<CV/1>	Selects CVBS input source, or enters the number 1 when editing a number value
<HDMI/2>	Selects HDMI input source, or enters the number 2 when editing a number value
<SDI/3>	Enters the number 3 when editing a number value
<VGA/4>	Selects VGA input source, or enters the number 4 when editing a number value
<YPbPr/5>	Selects YPbPr input source, or enters the number 5 when editing a number value
<BLACK/6>	Blacks out the video output, or enters the number 6 when editing a number value
<MENU>	Exits the current menu or function. Press and hold for 3 seconds to lock or unlock the control panel.
<SCALE/7>	Navigates directly to the Scale menu, or enters the number 7 when editing a number value
<SPLIT/8>	Navigates directly to the Split menu, or enters the number 8 when editing a number value
<COM/9>	Enters the number 9 when editing a number value
<SAVE/0>	Navigates directly to the Save menu, or enters the number 0 when editing a number value
<LOAD/10+>	Navigates directly to the Load menu

Product Rear Overview



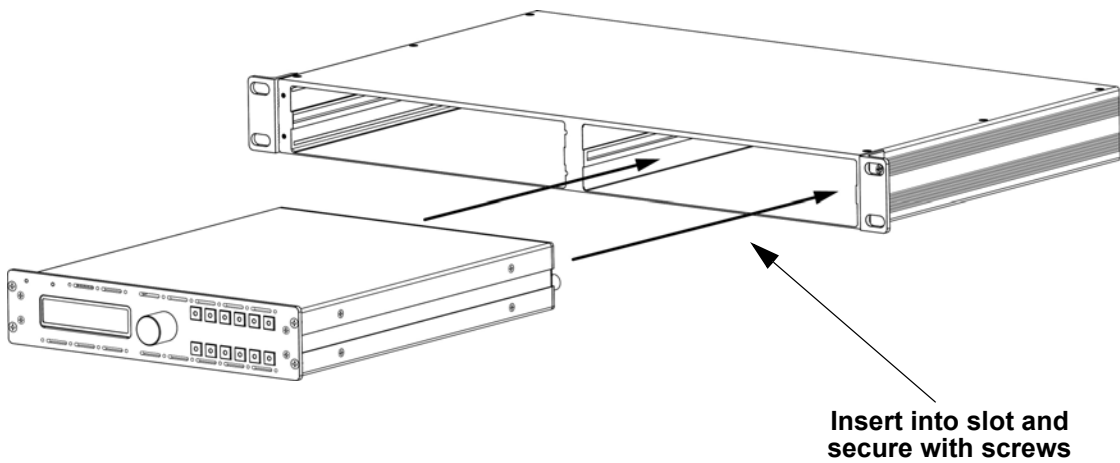
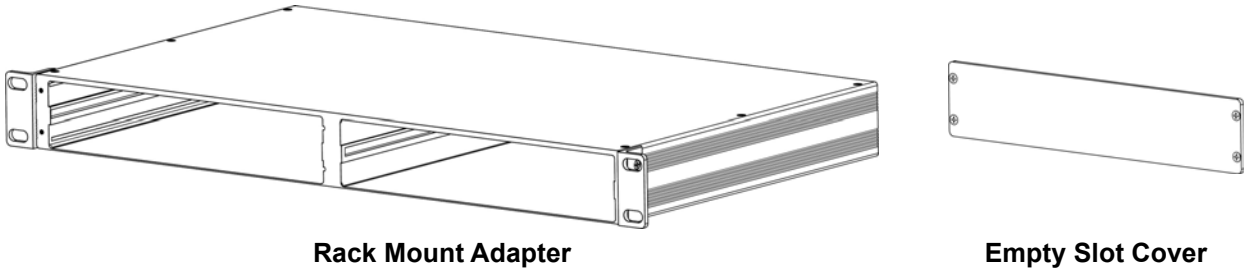
Rear Panel Description

#	PORT	FUNCTION
1	RS232	RJ12 port for remote control system connection.
2	USB B 1	USB B port for firmware updates
3	DVI In	DVI input connector for video signal from DVI1 OUT (11) or a pre-scaled video source
4	USB B 2	USB B port for connecting to NovaLCT Mars
5	Ethernet Out 2	Ethernet ports for sending video signal to video panels (6 is port 1, 5 is port 2)
6	Ethernet Out 1	
7	CVBS IN	BNC connector for CVBS input
8	VGA/YPbPr IN	DE-15 connector for video input from a VGA or YPbPr source
9	HDMI IN	HDMI input port to scaler. This port must be used to use the scaler.
10	HDMI LOOP	HDMI output port for sending non-scaled HDMI video signal to other devices
11	DVI1 OUT	DVI output connector for sending scaled video signal to the DVI In port (3). This port must be connected to DVI In (3) for the scaler to be used.
12	DVI2+VGA OUT	DVI output connector for sending scaled video signal to other devices
13	Power In	Power input socket for a voltage range of 100 to 240 VAC, 50/60 Hz

Mounting

Before mounting this product, read the [Safety Notes](#). The Vivid Drive 23N comes with a Rack Mount Adapter for mounting 1 or 2 Vivid Drive 23N products in a standard 19-inch rack.

Mounting Diagram



Menu Map

PROGRAMMING LEVELS			DESCRIPTION	
INPUT			INPUT Main Level	
INPUT DETAIL	-----		Displays the currently selected input	
ZOOM ADJUST	V UP	0-768	Stretches the video upwards	
	V DOWN	0-768	Stretches the video downwards	
	V UP/DOWN	0-384	Stretches the video up and down	
	H LEFT	0-1024	Stretches the video leftwards	
	H RIGHT	0-1024	Stretches the video rightwards	
	H LEFT/RIGHT	0-512	Stretches the video left and right	
	CENTER	0-384	Stretches the video in all directions	
RESET			Resets all Zoom Adjust settings	
VGA ADJUST	H POS	-100-100	Adjusts horizontal position of VGA video	
	V POS	-100-100	Adjusts vertical position of VGA video	
	CLOCK	-100-100	Adjusts the VGA input signal clock	
	PHASE	-100-100	Adjusts the VGA input signal phase	
	AUTO ADJUST			Automatically adjusts VGA input signal
ADC ADJUST	ADC AUTO ADJUST	YES <SEL>, NO <MENU>	Automatically adjusts the brightness	
	ADC RESET ALL	YES <SEL>, NO <MENU>	Resets the ADC setting	
SDI ADJUST	H POS	27-227	Reserved for future use	
	V POS	27-227		
	ANTI-ALIAS	STEP_126		
		STEP_7		
RESET				
OUTPUT			OUTPUT Main Level	
OUTPUT DETAIL	_ _ _ _ x _ _ _ x _ _		Displays currently set output resolution and frequency, DVI mode, bit depth, data range, DE (VGA or YPbPr) signal status, position, and size, and the horizontal and vertical polarity.	
	DVI MODE: _ _ _			
	BIT DEPTH: _ _ BIT			
	DATA RANGE: _ _ _ _ _			
	DE: _ _ _			
	DE H POS: _ _ _ _ _			
	DE V POS: _ _ _ _ _			
	DE H SIZE: _ _ _ _ _			
	DE V SIZE: _ _ _ _ _			
	H POLARITY: _ _ _			
	V POLARITY: _ _ _			
OUTPUT FORMAT	STANDARD	800x600x60	Selects output resolution and frequency from preset options	
		1024x768x60		
		1024x768x75		
		1280x720x60		
		1280x720x50		
		1280x768x60		
		1280x800x60		
		1280x1024x60		
		1360x768x60		
		1366x768x60		
		1400x1050x60		
		1440x800x60		
		1440x900x60		
		1600x1200x60		
1680x1050x60				
1920x1080x60				

PROGRAMMING LEVELS			DESCRIPTION	
OUTPUT (cont.)			OUTPUT Main Level (cont.)	
OUTPUT FORMAT (cont.)	STANDARD (cont.)	1920x1080x50	Selects output resolution and frequency from preset options	
		1920x1120x60		
		1920x1200x60		
		2048x1152x60		
		2560x812x60		
		1560x816x60		
CUSTOM	___x___x__	Sets custom resolution and frequency		
OUTPUT ADJUST	DVI MODE	DVI	Sets the protocol to DVI (default)	
		HDMI	Sets the protocol to HDMI	
	BIT DEPTH	8 BIT (DVI) / 8-12 BIT (HDMI)	Sets bit depth in HDMI mode	
	DATA RANGE	IMAGE	RGB color space	
		VIDEO	YUV color space	
	DE ADJUST	DE	OFF ON	Enables or disables adjusting the signal from the DE-15 connector
		H POS	0-_____	Adjusts the horizontal position
		V POS	0-_____	Adjusts the vertical position
		H SIZE	61-_____	Adjusts the horizontal size (width)
		V SIZE	61-_____	Adjusts the vertical size (height)
		H POLARITY	POS NEG	Sets the phase of the horizontal scan
			POS NEG	Sets the phase of the vertical scan
		RESET		Resets all output adjust settings
	SCALE	H SIZE	61-_____	Sets the width of DVI1 OUT
V SIZE		61-_____	Sets the height of DVI1 OUT	
H POS		-100-_____	Sets the horizontal position of DVI1 OUT	
V POS		-16-_____	Sets the vertical position of DVI1 OUT	
RESET		Resets scale settings		
SCREEN	H SIZE	61-_____	Sets the width of DVI2+VGA OUT	
	V SIZE	61-_____	Sets the Height of DVI2+VGA OUT	
	H POS	0-_____	Sets the horizontal position of DVI2+VGA OUT	
	V POS	0-_____	Sets the vertical position of DVI2+VGA OUT	
	MODE	FULL SIZE	DVI2+VGA OUT outputs unscaled video	
		SCREEN SIZE	DVI2+VGA OUT outputs scaled video	
RESET		Resets screen settings		
RATIO	4:3		Sets the aspect ratio to 4:3	
	16:9		Sets the aspect ratio to 16:9	
	NORMAL		Does not alter the aspect ratio	
PICTURE	BRIGHTNESS	0-100	Adjusts the brightness of the output	
	CONTRAST	0-100	Adjusts the contrast of the output	
	SATURATION	0-100	Adjusts the saturation of the output	
	SHARPNESS	0-100	Adjusts the sharpness of the output	
	COLOR RED	0-100	Adjusts the overall red level	
	COLOR GRN	0-100	Adjusts the overall green level	
	COLOR BLUE	0-100	Adjusts the overall blue level	
	RESET		Resets all picture settings	
PIP	PIP	OFF ON	Enables or disables PIP	
		PIP L+T	PIP appears at top left of output	
	LAYOUT	PBP L+R	Output is split vertically (left and right)	
		PBP T+B	Output is split horizontally (top and bottom)	

PROGRAMMING LEVELS			DESCRIPTION	
OUTPUT (cont.)			OUTPUT Main Level (cont.)	
PIP (cont.)	SWAP IMAGE	OFF ON	Switches Image A with Image B	
	ALPHA	0–16	Sets transparency of PIP	
	SELECT	IMAGE A IMAGE B	Enables scaling of Image A Enables scaling of Image B	
TEXT OVERLAY	TEXT OVERLAY	OFF ON	Enables or disables overlay	
	PRESET	User		Custom color
		WhOnBk1		White on black 1
		WhOnBk2		White on black 2
		BkOnWh1		Black on white 1
		BkOnWh2		Black on white 2
		GrnOnBk1		Green on black 1
		GrnOnBk2		Green on black 2
		GrnOnWh1		Green on white 1
		GrnOnWh2		Green on white 2
		RedOnBk1		Red on black 1
		RedOnBk2		Red on black 2
	RedOnWh1		Red on white 1	
	RedOnWh2		Red on white 2	
	BLEND MODE	MODE1 MODE2	Overlay is solid, background is transparent Overlay is transparent, no background	
	BLEND LEVEL	0–15	Sets overlay transparency	
	ABOVE/BELOW	BELOW ABOVE	Below mode Above mode	
AND/OR	OR AND	Or mode (left) And mode (right)		
RED	0–248	Sets custom red level of overlay		
GREEN	0–252	Sets custom green level of overlay		
BLUE	0–248	Sets custom blue level of overlay		
DISPLAY MODE	MODE	BLACK SCREEN	Blacks out the output	
		LIVE IMAGE	Video output	
		FREEZE IMAGE	Freezes the output on a single frame	
		FLAT IMAGE	Displays a single color	
		TEST PATTERN	Displays a test pattern	
	TEST PATTERN	TEST PATTERN	1–66	Selects from 66 available test patterns
		AUTO SWITCH	OFF	Test patterns will not switch automatically
			1–10s	Sets the interval between test patterns
		RED	0–255	Sets the color of test pattern 65
		GREEN	0–255	
		BLUE	0–255	
		HOR STEP	0–64	Sets the number of steps in test pattern 66
		VER STEP	0–64	
		COLOR	RED	Sets the color of test pattern 66
			GREEN	
	BLUE			
	WHITE			
FLAT COLOR	RED	0–255	Sets the single color to be displayed in Flat Image mode	
	GREEN	0–255		
	BLUE	0–255		

PROGRAMMING LEVELS		DESCRIPTION
OUTPUT (cont.)		OUTPUT Main Level (cont.)
OUTPUT (cont.)	GAMMA	LINEAR
		sRGB
		-1.2
		1.2
		-1.4
		1.4
		-1.6
		1.6
		Sets the gamma of the output
TRANSITION		TRANSITION Main Level
TRANSITION	MODE	CUT
		No transition
		FADE
		Video sources fade with transitioning
		POP L+T
		Video source 2 enters from top left
		PUSH L+T
		Video source 1 exits at top left
		POP R+T
		Video source 2 enters from top right
		PUSH R+T
		Video source 1 exits at top right
		POP L+B
		Video source 2 enters from bottom left
		PUSH L+B
		Video source 1 exits at bottom left
		POP R+B
		Video source 2 enters from bottom right
		PUSH R+B
		Video source 1 exits at bottom right
POP CENT		
Video source 2 expands from the center		
PUSH CENT		
Video source 1 shrinks into the center		
POP LEFT		
Video source 2 enters from the left		
PUSH LEFT		
Video source 1 exits to the left		
POP RIGHT		
Video source 2 enters from the right		
PUSH RIGHT		
Video source 1 exits to the right		
POP TOP		
Video source 2 enters from the top		
PUSH TOP		
Video source 1 exits to the top		
POP BOTTOM		
Video source 2 enters from the bottom		
PUSH BOTTOM		
Video source 1 exits to the bottom		
FADE TIME	0.0–1.0s	Sets time a transition takes
ALPHA	0–16	Sets transparency
DEINTERLACE	ON	Enables or disables deinterlacing
	OFF	
SPLIT		SPLIT Main Level
SPLIT	SPLIT	OFF
		Enable/Disable Split
	H TOTAL	ON
		Sets the size of the total panel assembly
	V TOTAL	0–4096
	H POS	0–_____
	V POS	0–_____
	H SIZE	0–_____
V SIZE	0–_____	
SAVE SETUP		SAVE SETUP Main Level
SAVE TO	SAVE 1–10	Saves the current settings
LOAD FROM	SAVE 1–10	Loads the desired saved settings
DELAY CALL	0–255s	Sets output delay for multi-driver chains
SYSTEM		SYSTEM Main Level
SYSTEM	SYSTEM INFO	MCU VER: _._ _
		VIDEO VER: _._ _
		SN: _ _ _ _
	TECH SUPPORT	SALES HOTLINE: (800) 762-1084 AFTER-SALE SERVICE:
		Displays system information
		Displays phone numbers for assistance

PROGRAMMING LEVELS		DESCRIPTION		
SYSTEM (cont.)		SYSTEM Main Level (cont.)		
SYSTEM (cont.)	DATE&TIME	DATE: YYYY-MM-DD	Displays the current date	
		TIME: HH:MM:SS	Displays the current time	
		WORK TIME: __d:__h:__m	Displays how long the product has been running	
		TOTAL TIME: __d:__h:__m	Displays the total time for which the product has run	
		BOOT TIMES: __	Displays number of times the product has been turned on	
		TIMING CONTROL	ON OFF	Enables/Disables clock control
		CHANGE DATE	YYYY-MM-DD	Sets the date
		CHANGE TIME	HH:MM:SS	Sets the time
LOCK FRONT PANEL	YES <SEL>, NO <MENU>		Locks the front panel (hold <MENU> for 3 seconds to unlock)	
LICENSE SETUP	ENTER PASSWORD 000000-999999		No function	
CAN USE TIME	NO LIMIT		No function	
HOT BACKUP	HOT BACKUP	OFF	Enables/Disables hot backup	
		ON		
	BACKUP_1-5	CV1		Designates backup signals in order of priority
		HDMI		
		YPbPr		
		VGA		
	SDI			
USB UPGRADE	YES <SEL>, NO <MENU>		Enables a firmware update by USB	
EDID FOLLOW	OFF		Enables/Disables EDID following	
	ON			
LANGUAGE? ?	ENG		Sets the language to English	
	? ?		Sets the language to Chinese	
FACTORY RESET	FACTORY RESET	YES <SEL>, NO <MENU>	Resets the product to factory settings	
	SAVE IP RESET	YES <SEL>, NO <MENU>	Clears all saved settings	

Acerca de esta guía

La Guía de referencia rápida (GRR) del Vivid Drive 23N contiene información básica sobre el producto, como montaje y opciones de menú. Descargue el manual de usuario de www.chauvetdj.com para una información más detallada.

Exención de responsabilidad

La información y especificaciones contenidas en esta GRR están sujetas a cambio sin previo aviso.

Notas de seguridad

Estas notas de seguridad incluyen información importante sobre el montaje, uso y mantenimiento.



- Conecte este producto SOLO a un circuito con toma de tierra y protegido.
- Desconecte siempre de la alimentación antes de la limpieza.
- Asegúrese de que el cable de alimentación no está retorcido ni estropeado.
- Nunca desconecte este producto de la alimentación tirando del cable.
- NO permita la presencia de materiales inflamables cerca de la unidad cuando esté en funcionamiento.
- NO toque este producto cuando esté en funcionamiento, pues podría estar caliente.
- La tensión del enchufe al que conecte este producto ha de estar en el rango establecido en el grabado o en el panel posterior del producto.
- ¡Este producto es para uso en interiores solamente! (IP20) Para evitar riesgos de incendio o descarga, no exponga este producto a la lluvia o la humedad.
- Monte siempre este producto en una ubicación con ventilación adecuada, al menos a 20 in (50 cm) de superficies adyacentes.
- Asegúrese de que ninguna ranura de ventilación en la carcasa de la unidad queda bloqueada.
- Nunca conecte este producto a un atenuador o reostato.
- Nunca transporte el producto por el cable de alimentación.
- La temperatura ambiente máxima es de 104 °F (40 °C). No haga funcionar este producto a temperaturas más altas.
- En caso de un problema grave de funcionamiento, deje de usarlo inmediatamente.
- NO abra este producto. No contiene piezas reparables por el usuario.
- Para evitar un desgaste innecesario y alargar su vida útil, desconecte completamente el producto mediante el interruptor o desenchufándolo durante periodos en que no se use.



Contacto

Fuera de EE. UU., Reino Unido, Irlanda, Benelux, Francia, Alemania o México póngase en contacto con su distribuidor para solicitar asistencia o devolver un producto. Visite www.chauvetdj.com para información de contacto.

Qué va incluido

- Vivid Drive 23N
- Cable de alimentación
- Adaptador de montaje en rack
- Puente DVI a DVI
- Cable USB
- Tarjeta de garantía
- Guía de referencia rápida

Para empezar

Desembale su Vivid Drive 23N y asegúrese de que ha recibido todas las partes en buen estado. Si la caja o los componentes parecen dañados, notifíquese inmediatamente al transportista, no a Chauvet.

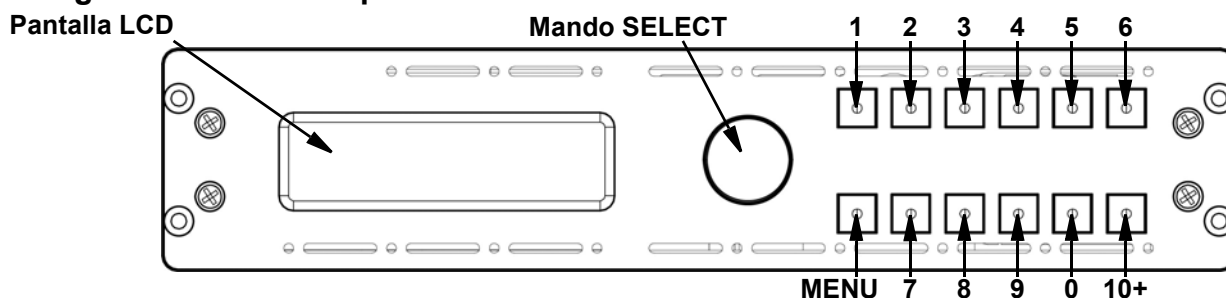
Corriente alterna

Este producto tiene una fuente de alimentación con detección automática que puede funcionar con un rango de tensión de entrada de 100–240 VCA, 50/60 Hz.



Para evitar un desgaste innecesario y alargar su vida útil, desconecte completamente el producto mediante el interruptor o desenchufándolo durante periodos en que no se use.

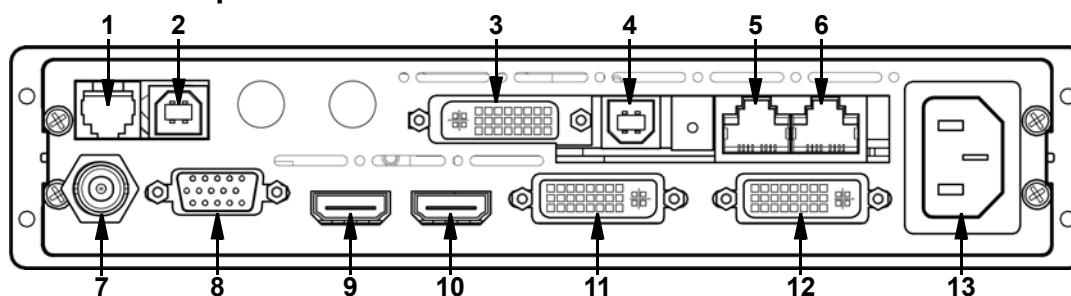
Vista general frontal del producto



Descripción del panel de control

BOTÓN/MANDO	FUNCIÓN
Mando SELECT	Gire para desplazarse hacia adelante o hacia atrás por la lista del menú, y aumente o disminuya un valor numérico seleccionado. Pulse para habilitar la opción de menú actualmente visualizada o configurar el valor seleccionado actualmente dentro de la función seleccionada.
<CV/1>	Selecciona la fuente de entrada CVBS o introduce el número 1 cuando se edita un valor numérico
<HDMI/2>	Selecciona la fuente de entrada HDMI o introduce el número 2 cuando se edita un valor numérico
<SDI/3>	Introduce el número 3 cuando se edita un valor numérico
<VGA/4>	Selecciona la fuente de entrada VGA o introduce el número 4 cuando se edita un valor numérico
<YPbPr/5>	Selecciona la fuente de entrada YPbPr o introduce el número 5 cuando se edita un valor numérico
<BLACK/6>	Apaga la salida de vídeo o introduce el número 6 cuando se edita un valor numérico
<MENU>	Sale del menú o función actual. Mantenga pulsado durante 3 segundos para bloquear o desbloquear el panel de control.
<SCALE/7>	Se desplaza directamente al menú Scale (Escala) o introduce el número 7 cuando se edita un valor numérico
<SPLIT/8>	Se desplaza directamente al menú Split (Dividir) o introduce el número 8 cuando se edita un valor numérico
<COM/9>	Introduce el número 9 cuando se edita un valor numérico
<SAVE/0>	Se desplaza directamente al menú Save (Guardar) o introduce el número 0 cuando se edita un valor numérico
<LOAD/10+>	Se desplaza directamente al menú Load (Cargar)

Vista general trasera del producto



Descripción del panel posterior

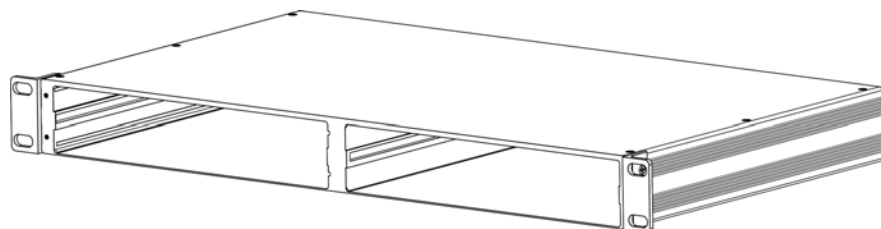
#	PUERTO	FUNCIÓN
1	RS232	Puerto RJ12 para la conexión del sistema de control remoto.
2	USB B 1	Puerto USB B para actualizaciones de firmware
3	DVI In	Conector de entrada DVI para la señal de vídeo desde DVI1 OUT (11) o una fuente de vídeo con la escala ya modificada
4	USB B 2	Puerto USB B para conexión a NovaLCT Mars
5	Ethernet Out 2	Puertos Ethernet para enviar señal de vídeo a los paneles de vídeo (6 es puerto 1, 5 es puerto 2)
6	Ethernet Out 1	
7	CVBS IN	Conector BNC para entrada CVBS
8	VGA/YPbPr IN	Conector DE-15 para entrada de vídeo desde una fuente VGA o YPbPr
9	HDMI IN	Puerto de entrada HDMI a escalador. Se debe utilizar este puerto para usar el escalador.
10	HDMI LOOP	Puerto de entrada HDMI para enviar señal de vídeo HDMI sin la escala modificada a otros dispositivos
11	DVI1 OUT	Conector de salida DVI para enviar señal de vídeo con la escala modificada al puerto DVI de entrada (3). Este puerto se debe conectar a DVI In (3) para poder usar el escalador.
12	DVI2+VGA OUT	Puerto de entrada DVI para enviar señal de vídeo con la escala modificada a otros dispositivos
13	Power In	Conector de entrada de alimentación para un rango de tensión de 100 a 250 V CA, 50/60 Hz

Montaje

El Vivid Drive 23N viene con un adaptador de montaje en rack para montar 1 o 2 productos Vivid Drive 23N en un rack estándar de 19 pulgadas.

Antes de montar este producto, lea las [Notas de seguridad](#).

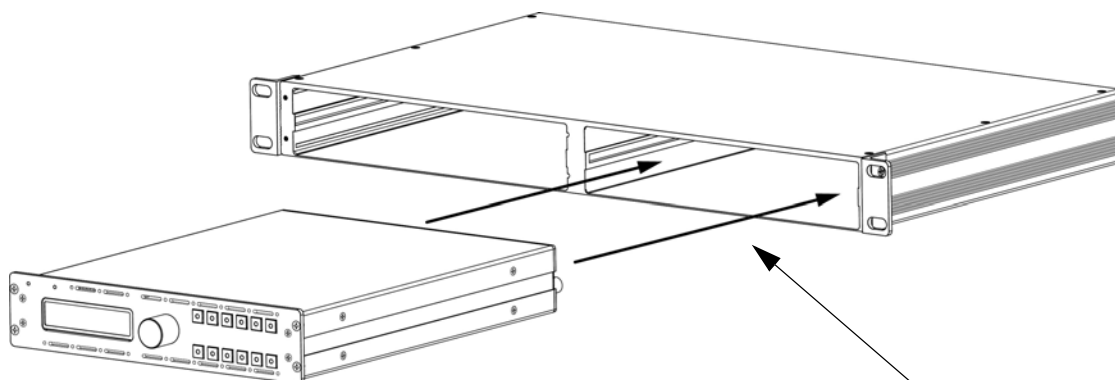
Diagrama de montaje



Adaptador de montaje en rack



Tapa para ranura vacía



Insértela en la ranura y fíjela con tornillos

Mapa de menú

NIVELES DE PROGRAMACIÓN			DESCRIPCIÓN		
INPUT			INPUT Nivel Principal		
INPUT	INPUT DETAIL	-----	Muestra la entrada actualmente seleccionada		
	ZOOM ADJUST	V UP	0-768	Expande la imagen hacia arriba	
		V DOWN	0-768	Expande la imagen hacia abajo	
		V UP/DOWN	0-384	Expande la imagen hacia arriba y hacia abajo	
		H LEFT	0-1024	Expande la imagen hacia la izquierda	
		H RIGHT	0-1024	Expande la imagen hacia la derecha	
		H LEFT/RIGHT	0-512	Expande la imagen a izquierda y derecha	
		CENTER	0-384	Expande la imagen en todas las direcciones	
	RESET			Restablece la configuración de los ajustes de zoom	
	VGA ADJUST	H POS	-100-100	Ajusta la posición horizontal del vídeo VGA	
		V POS	-100-100	Ajusta la posición vertical del vídeo VGA	
		CLOCK	-100-100	Ajusta el reloj de la señal de entrada VGA	
		PHASE	-100-100	Ajusta la fase de la señal de entrada VGA	
	AUTO ADJUST			Ajusta automáticamente la señal de entrada VGA	
	ADC ADJUST	ADC AUTO ADJUST	YES <SEL>, NO <MENU>	Ajusta automáticamente el brillo	
		ADC RESET ALL	YES <SEL>, NO <MENU>	Restablece la configuración del CAD	
	SDI ADJUST	H POS	27-227	Reservado para usos futuros	
		V POS	27-227		
		ANTI-ALIAS	STEP_126		
			STEP_7		
RESET					
OUTPUT			OUTPUT Nivel Principal		
OUTPUT	OUTPUT DETAIL	__x__x__	Muestra la resolución y frecuencia de salida actualmente configuradas; modo DVI; profundidad de bits; intervalo de datos; estado, posición y tamaño de la señal DE (VGA o YPbPr); y la polaridad vertical y horizontal.		
		DVI MODE: ___			
		BIT DEPTH: ___ BIT			
		DATA RANGE: _____			
		DE: ___			
		DE H POS: _____			
		DE V POS: _____			
		DE H SIZE: _____			
		DE V SIZE: _____			
		H POLARITY: ___			
V POLARITY: ___					
OUTPUT	OUTPUT FORMAT	STANDARD	800x600x60	Selecciona la resolución y frecuencia de salida a partir de las opciones preestablecidas	
			1024x768x60		
			1024x768x75		
			1280x720x60		
			1280x720x50		
			1280x768x60		
			1280x800x60		
			1280x1024x60		
			1360x768x60		
			1366x768x60		
			1400x1050x60		
			1440x800x60		
			1440x900x60		
			1600x1200x60		
			1680x1050x60		
1920x1080x60					

NIVELES DE PROGRAMACIÓN			DESCRIPCIÓN	
OUTPUT (cont.)			OUTPUT Nivel Principal (cont.)	
OUTPUT FORMAT (cont.)	STANDARD (cont.)	1920x1080x50	Selecciona la resolución y frecuencia de salida a partir de las opciones preestablecidas	
		1920x1120x60		
		1920x1200x60		
		2048x1152x60		
		2560x812x60		
		1560x816x60		
CUSTOM	___x___x__	Establece la resolución y frecuencia personalizadas		
OUTPUT ADJUST	DVI MODE	DVI	Establece el protocolo a DVI (predeterminado)	
		HDMI	Establece el protocolo a HDMI	
	BIT DEPTH	8 BIT (DVI) / 8-12 BIT (HDMI)	Establece la profundidad de bits en el modo HDMI	
	DATA RANGE	IMAGE	Espacio de color RGB	
		VIDEO	Espacio de color YUV	
	DE ADJUST	DE	OFF	Habilita o deshabilita el ajuste de la señal desde el conector DE-15
			ON	
		H POS	0-_____	Ajusta la posición horizontal
		V POS	0-_____	Ajusta la posición vertical
		H SIZE	61-_____	Ajusta el tamaño horizontal (anchura)
		V SIZE	61-_____	Ajusta el tamaño vertical (altura)
		H POLARITY	POS	Establece la fase de exploración horizontal
			NEG	
	V POLARITY	POS	Establece la fase de exploración vertical	
NEG				
RESET			Restablece todas las configuraciones de ajuste de salida	
SCALE	H SIZE	61-_____	Establece la anchura de DVI1 OUT	
	V SIZE	61-_____	Establece la altura de DVI1 OUT	
	H POS	-100-_____	Establece la posición horizontal de DVI1 OUT	
	V POS	-16-_____	Establece la posición vertical de DVI1 OUT	
	RESET			Restablece la configuración de la escala
SCREEN	H SIZE	61-_____	Establece la anchura de DVI2+VGA OUT	
	V SIZE	61-_____	Establece la altura de DVI2+VGA OUT	
	H POS	0-_____	Establece la posición horizontal de DVI2+VGA OUT	
	V POS	0-_____	Establece la posición vertical de DVI2+VGA OUT	
	MODE	FULL SIZE	DVI2+VGA OUT emite vídeo sin modificar la escala	
		SCREEN SIZE	DVI2+VGA OUT emite vídeo con la escala modificada	
RESET			Restablece la configuración de la pantalla	
RATIO	4:3		Establece la relación de aspecto a 4:3	
	16:9		Establece la relación de aspecto a 16:9	
	NORMAL		No altera la relación de aspecto	
PICTURE	BRIGHTNESS	0-100	Ajusta el brillo de la salida	
	CONTRAST	0-100	Ajusta el contraste de la salida	
	SATURATION	0-100	Ajusta la saturación de la salida	
	SHARPNESS	0-100	Ajusta la nitidez de la salida	
	COLOR RED	0-100	Ajusta el nivel de rojo general	
	COLOR GRN	0-100	Ajusta el nivel de verde general	
	COLOR BLUE	0-100	Ajusta el nivel de azul general	
RESET			Restablece todos los ajustes de imagen	
PIP	PIP	OFF	Habilita o deshabilita el PIP	
		ON		

NIVELES DE PROGRAMACIÓN			DESCRIPCIÓN	
OUTPUT (cont.)			OUTPUT Nivel Principal (cont.)	
PIP (cont.)	LAYOUT	PIP L+T	PIP aparece en la parte superior izquierda de la salida	
		PBP L+R	La salida se divide verticalmente (izquierda y derecha)	
		PBP T+B	La salida se divide horizontalmente (arriba y abajo)	
	SWAP IMAGE	OFF	Intercambia la imagen A con la imagen B	
		ON		
	ALPHA	0–16	Establece la transparencia del PIP	
SELECT	IMAGE A	Habilita el escalado de la imagen A		
	IMAGE B	Habilita el escalado de la imagen B		
TEXT OVERLAY (cont.)	TEXT OVERLAY	OFF	Habilita o deshabilita la superposición	
		ON		
	PRESET	User	Color personalizado	
		WhOnBk1	Blanco sobre negro 1	
		WhOnBk2	Blanco sobre negro 2	
		BkOnWh1	Negro sobre blanco 1	
		BkOnWh2	Negro sobre blanco 2	
		GrnOnBk1	Verde sobre negro 1	
		GrnOnBk2	Verde sobre negro 2	
		GrnOnWh1	Verde sobre blanco 1	
		GrnOnWh2	Verde sobre blanco 2	
		RedOnBk1	Rojo sobre negro 1	
		RedOnBk2	Rojo sobre negro 2	
		RedOnWh1	Rojo sobre blanco 1	
	RedOnWh2	Rojo sobre blanco 2		
	BLEND MODE	MODE1	La superposición es opaca, el fondo es transparente	
		MODE2	La superposición es transparente, sin fondo	
	BLEND LEVEL	0–15	Establece la transparencia de la superposición	
	ABOVE/BELOW	BELOW	Bajo modo	
		ABOVE	Sobre modo	
AND/OR	OR	OR modo (izquierda)		
	AND	AND modo (derecho)		
RED	0–248	Establece el nivel de rojo de la superposición		
GREEN	0–252	Establece el nivel de verde de la superposición		
BLUE	0–248	Establece el nivel de azul de la superposición		
DISPLAY MODE	MODE	BLACK SCREEN	Apaga la salida	
		LIVE IMAGE	Salida de vídeo	
		FREEZE IMAGE	Congela la salida en un solo fotograma	
		FLAT IMAGE	Muestra un solo color	
		TEST PATTERN	Muestra un patrón de prueba	
	TEST PATTERN	TEST PATTERN	1–66	Selecciona entre 66 patrones de prueba disponibles
		AUTO SWITCH	OFF	Los patrones no cambian automáticamente
			1–10s	Establece el intervalo entre patrones de prueba
		RED	0–255	Establece el color del patrón de prueba 65
		GREEN	0–255	
		BLUE	0–255	
		HOR STEP	0–64	Establece el número de pasos del patrón de prueba 66
		VER STEP	0–64	
		COLOR	RED	Establece el color del patrón de prueba 66
			GREEN	
			BLUE	
WHITE				

NIVELES DE PROGRAMACIÓN				DESCRIPCIÓN
OUTPUT (cont.)				OUTPUT Nivel Principal (cont.)
DISPLAY MODE (cont.)	FLAT COLOR	RED	0–255	Establece el único color que se visualizará en el modo Imagen plana
		GREEN	0–255	
		BLUE	0–255	
OUTPUT (cont.)	GAMMA	LINEAR		Establece la gama de salida
		sRGB		
		-1.2		
		1.2		
		-1.4		
		1.4		
		-1.6		
		1.6		
TRANSITION				TRANSITION Nivel Principal
TRANSITION	MODE	CUT		Sin transición
		FADE		Las fuentes de vídeo hacen fade con transición
		POP L+T		La fuente de vídeo 2 entra desde la parte superior izquierda
		PUSH L+T		La fuente de vídeo 1 sale por la parte superior izquierda
		POP R+T		La fuente de vídeo 2 entra desde la parte superior derecha
		PUSH R+T		La fuente de vídeo 1 sale por la parte superior derecha
		POP L+B		La fuente de vídeo 2 entra desde la parte inferior izquierda
		PUSH L+B		La fuente de vídeo 1 sale por la parte inferior izquierda
		POP R+B		La fuente de vídeo 2 entra desde la parte inferior derecha
		PUSH R+B		La fuente de vídeo 1 sale por la parte inferior derecha
		POP CENT		La fuente de vídeo 2 se expande desde el centro
		PUSH CENT		La fuente de vídeo 1 se encoge hacia el centro
		POP LEFT		La fuente de vídeo 2 entra desde la izquierda
		PUSH LEFT		La fuente de vídeo 1 sale por la izquierda
		POP RIGHT		La fuente de vídeo 2 entra desde la derecha
		PUSH RIGHT		La fuente de vídeo 1 sale por la derecha
		POP TOP		La fuente de vídeo 2 entra desde arriba
		PUSH TOP		La fuente de vídeo 1 sale por arriba
		POP BOTTOM		La fuente de vídeo 2 entra desde abajo
		PUSH BOTTOM		La fuente de vídeo 1 sale por abajo
FADE TIME		0.0–1.0s	Establece el tiempo que tarda una transición	
ALPHA		0–16	Establece la transparencia	
DEINTERLACE		ON	Habilita o deshabilita el desentrelazado	
		OFF		
SPLIT				SPLIT Nivel Principal
SPLIT	SPLIT	OFF		Habilita/deshabilita la división
		ON		
	H TOTAL		0–4096	Establece el tamaño del conjunto total del panel
	V TOTAL		0–4096	
	H POS		0– _ _ _ _	Establece la posición de la salida de este controlador en el conjunto del panel
	V POS		0– _ _ _ _	
	H SIZE		0– _ _ _ _	Establece el tamaño de la salida de este controlador en el conjunto del panel
V SIZE		0– _ _ _ _		

NIVELES DE PROGRAMACIÓN		DESCRIPCIÓN	
SAVE SETUP		SAVE SETUP Nivel Principal	
SAVE TO	SAVE 1-10	Guarda la configuración actual	
LOAD FROM	SAVE 1-10	Carga la configuración guardada elegida	
DELAY CALL	0-255s	Establece el retardo de salida para cadenas de múltiples controladores	
SYSTEM		SYSTEM Nivel Principal	
SYSTEM INFO	MCU VER: _._ _	Muestra la información del sistema	
	VIDEO VER: _._ _		
	SN: _ _ _ _		
TECH SUPPORT	SALES HOTLINE: (800) 762-1084 AFTER-SALE SERVICE:	Muestra los números de teléfono para asistencia	
DATE&TIME	DATE: YYYY-MM-DD	Muestra la fecha actual	
	TIME: HH:MM:SS	Muestra la hora actual	
	WORK TIME: _ _d:_ _h:_ _m	Muestra cuánto ha estado el producto en funcionamiento	
	TOTAL TIME: _ _d:_ _h:_ _m	Muestra el tiempo total que ha estado el producto en funcionamiento	
	BOOT TIMES: _ _	Muestra el número de veces que se ha encendido el producto	
	TIMING CONTROL	ON OFF	Habilita/deshabilita el control del reloj
	CHANGE DATE	YYYY-MM-DD	Establece la fecha
CHANGE TIME	HH:MM:SS	Establece la hora	
LOCK FRONT PANEL	YES <SEL>, NO <MENU>	Bloquea el panel frontal (mantenga pulsado <MENU> durante 3 segundos para desbloquear)	
LICENSE SETUP	ENTER PASSWORD 000000-999999	Sin función	
CAN USE TIME	NO LIMIT	Sin función	
HOT BACKUP	HOT BACKUP	OFF	Habilita/deshabilita la copia de seguridad en caliente
		ON	
	BACKUP_1-5	CV1	Designa las señales de la copia de seguridad en orden de prioridad
		HDMI	
		YPbPr	
		VGA	
	SDI		
USB UPGRADE	YES <SEL>, NO <MENU>	Habilita una actualización de firmware por USB	
EDID FOLLOW	OFF	Habilita/deshabilita el seguimiento EDID	
	ON		
LANGUAGE? ?	ENG	Establece el idioma inglés	
	? ?	Establece el idioma chino	
FACTORY RESET	FACTORY RESET	YES <SEL>, NO <MENU>	Restablece el producto a los valores de fábrica
	SAVE IP RESET	YES <SEL>, NO <MENU>	Elimina todas las configuraciones guardadas

A propos de ce manuel

Le Manuel de Référence (MR) du Vivid Drive 23N reprend des informations de base sur cet appareil notamment en matière de montage et d'options de menu. Veuillez télécharger le manuel d'utilisation à partir du site internet www.chauvetdj.com pour plus de détails.

Clause de non Responsabilité

Les informations et caractéristiques contenues dans ce MR sont sujettes à modification sans préavis.

Consignes de Sécurité

Ces consignes de sécurité contiennent des informations importantes en matière d'installation, d'utilisation et d'entretien.



- Cet appareil DOIT être relié à un circuit mis à la terre et protégé.
- Toujours débrancher l'appareil de la source d'alimentation avant de le nettoyer.
- Veillez à ce que le cordon d'alimentation ne soit jamais pincé ou endommagé.
- Ne débranchez jamais cet appareil en tirant sur le cordon d'alimentation.
- NE PAS laisser de produit inflammable à proximité de l'appareil lorsque celui-ci fonctionne.
- NE PAS toucher au boîtier de l'appareil lorsqu'il est en fonctionnement, celui-ci pouvant être très chaud.



- La tension de la source d'énergie à laquelle est connecté cet appareil doit être dans la plage indiquée sur l'étiquette ou sur le panneau arrière de l'appareil.
- Cet appareil doit uniquement être utilisé en intérieur ! (IP20) Afin d'éviter tout risque d'incendie ou de décharge électrique, veillez à n'exposer cet appareil ni à la pluie ni à l'humidité.
- Installez toujours cet appareil dans un endroit bien ventilé à au moins 50 cm (20 po) des surfaces adjacentes.
- Assurez-vous qu'aucune fente de ventilation de l'appareil n'est obstruée.
- Ne connectez jamais cet appareil à un variateur ou un rhéostat.
- Ne transportez jamais le produit par le cordon d'alimentation.
- La température ambiante maximale est de 40 °C (104 °F). Ne faites pas fonctionner cet appareil à des températures plus élevées.
- En cas de sérieux problèmes de fonctionnement, arrêtez l'appareil immédiatement.
- NE PAS ouvrir cet appareil. Il ne contient aucune pièce réparable par l'utilisateur.
- Durant les périodes de non-utilisation, pour éviter toute usure inutile et pour prolonger la durée de vie, éteignez complètement l'appareil en le débranchant ou en coupant le disjoncteur.

Nous contacter

En dehors des États-Unis, du Royaume-Uni, de l'Irlande, du Benelux, de la France, de l'Allemagne, ou du Mexique, contactez votre fournisseur si vous avez besoin d'assistance ou pour retourner un appareil. Veuillez consulter le site internet www.chauvetdj.com pour obtenir des informations pour nous contacter.

Contenu

- Vivid Drive 23N
- Cordon d'alimentation
- Adaptateur pour montage en rack
- Cavalier DVI vers DVI
- Câble USB
- Fiche de garantie
- Manuel de référence

Préalable

Déballez votre Vivid Drive 23N et assurez-vous que vous avez reçu toutes les pièces en bon état. Si la boîte et/ou son contenu semble endommagés, contactez immédiatement le transporteur, et non pas Chauvet.

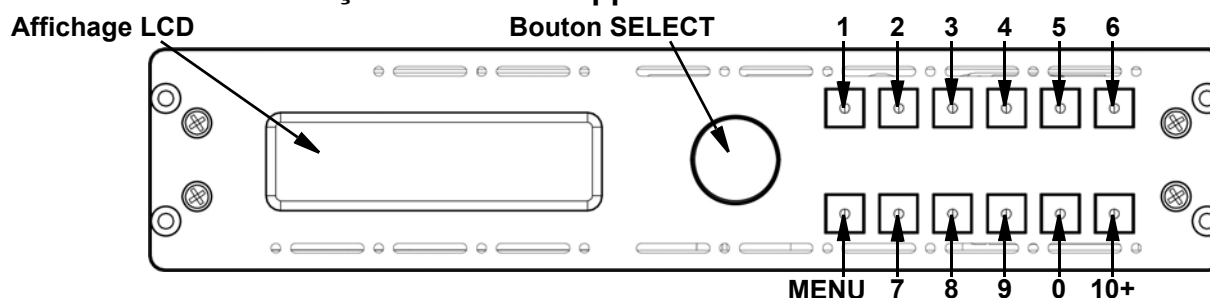
Alimentation CA

Cet appareil est doté d'une alimentation universelle qui peut prendre en charge toute tension d'entrée comprise entre 100 et 240 VCA, 50/60 Hz.



Durant les périodes de non-utilisation, pour éviter toute usure inutile et pour prolonger la durée de vie, éteignez complètement l'appareil en le débranchant ou en coupant le disjoncteur.

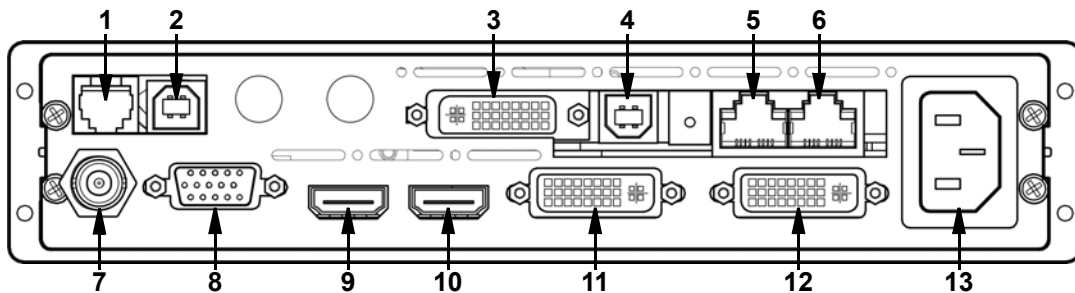
Vue d'ensemble de la façade avant de l'appareil



Description du panneau de commande

BOUTON	FONCTION
Bouton SELECT	Tourner pour naviguer vers le haut ou vers le bas dans la liste du menu et augmenter ou diminuer une valeur numérique sélectionnée. Appuyer pour activer l'élément de menu actuellement affiché ou pour confirmer la valeur actuellement sélectionnée pour la fonction sélectionnée.
<CV/1>	Permet de sélectionner la source d'entrée CVBS ou de saisir le numéro 1 lors de l'édition d'une valeur numérique
<HDMI/2>	Permet de sélectionner la source d'entrée HDMI ou de saisir le numéro 2 lors de l'édition d'une valeur numérique
<SDI/3>	Permet de saisir le numéro 3 lors de l'édition d'une valeur numérique
<VGA/4>	Permet de sélectionner la source d'entrée VGA ou de saisir le numéro 4 lors de l'édition d'une valeur numérique
<YPbPr/5>	Permet de sélectionner la source d'entrée YPbPr ou de saisir le numéro 5 lors de l'édition d'une valeur numérique
<BLACK/6>	Permet de couper la sortie vidéo ou de saisir le numéro 6 lors de l'édition d'une valeur numérique
<MENU>	Permet de sortir du menu ou de la fonction en cours. Appuyez et maintenez enfoncé pendant 3 secondes pour verrouiller ou déverrouiller le panneau de commande.
<SCALE/7>	Permet de naviguer directement vers le menu Scale (mise à l'échelle) ou de saisir le numéro 7 lors de l'édition d'une valeur numérique
<SPLIT/8>	Permet de naviguer directement vers le menu Split (fractionnement) ou de saisir le numéro 8 lors de l'édition d'une valeur numérique
<COM/9>	Permet de saisir le numéro 9 lors de l'édition d'une valeur numérique
<SAVE/0>	Permet de naviguer directement vers le menu Save (sauvegarde) ou de saisir le numéro 0 lors de l'édition d'une valeur numérique
<LOAD/10+>	Permet de naviguer directement vers le menu Load (chargement)

Vue d'ensemble de la façade arrière de l'appareil



Description du panneau arrière

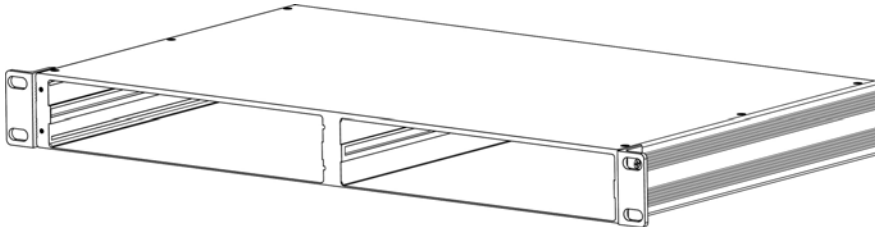
#	PORT	FONCTION
1	RS232	Port RJ12 pour la connexion au système de contrôle à distance.
2	USB B 1	Port USB B utilisé pour les mises à jour du microprogramme
3	DVI In	Connecteur d'entrée DVI pour le signal vidéo en provenance de DVI1 OUT (11) ou une source vidéo préalablement mise à l'échelle
4	USB B 2	Port USB B pour la connexion au logiciel NovaLCT Mars
5	Ethernet Out 2	Ports Ethernet pour l'envoi d'un signal vidéo vers des panneaux vidéo (6 correspond au port 1, 5 au port 2)
6	Ethernet Out 1	
7	CVBS IN	Connecteur BNC pour l'entrée CVBS
8	VGA/YPbPr IN	Connecteur DE-15 pour l'entrée vidéo d'une source VGA ou YPbPr
9	HDMI IN	Port d'entrée HDMI vers scaleur. Ce port doit être utilisé pour utiliser le scaleur.
10	HDMI LOOP	Port de sortie HDMI pour l'envoi d'un signal vidéo HDMI non mis à l'échelle vers d'autres périphériques
11	DVI1 OUT	Connecteur de sortie DVI pour l'envoi d'un signal vidéo mis à l'échelle au port d'entrée DVI (3). Ce port doit être connecté à l'entrée DVI (3) pour pouvoir utiliser le scaleur.
12	DVI2+VGA OUT	Connecteur de sortie DVI pour l'envoi d'un signal vidéo mis à l'échelle vers d'autres périphériques
13	Power In	Prise d'alimentation supportant une tension comprise entre 100 et 240 VCA, 50/60 Hz

Montage

Le Vivid Drive 23N est livré avec un adaptateur de montage en rack permettant d'installer 1 ou 2 appareils Vivid Drive 23N dans un rack standard de 19 pouces.

Avant de monter cet appareil, veuillez lire les [Consignes de Sécurité](#).

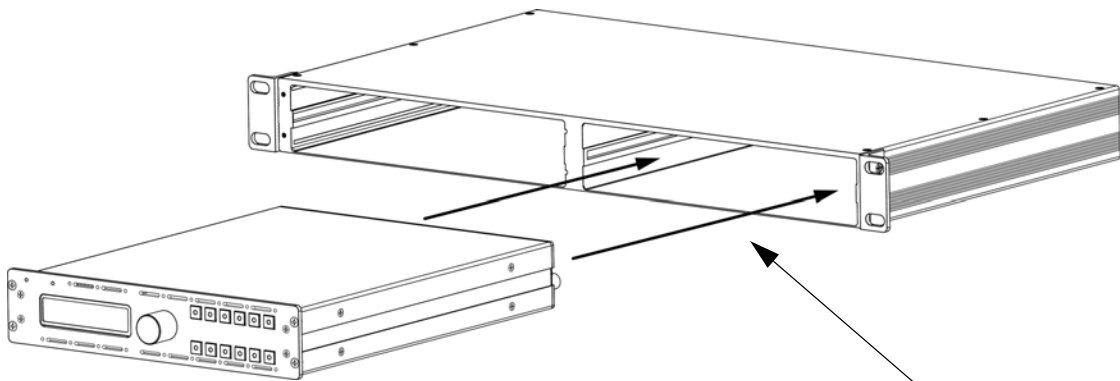
Schéma de montage



Adaptateur pour montage en rack



Couvercle d'emplacement vide



Insérer dans un emplacement vide et fixer avec des vis

Menu carte

NIVEAUX DE PROGRAMMATION			DESCRIPTION	
INPUT			INPUT Niveau Principal	
INPUT DETAIL	-----		Affiche l'entrée actuellement sélectionnée	
ZOOM ADJUST	V UP	0-768	Étire la vidéo vers le haut	
	V DOWN	0-768	Étire la vidéo vers le bas	
	V UP/DOWN	0-384	Étire la vidéo vers le haut et le bas	
	H LEFT	0-1024	Étire la vidéo vers la gauche	
	H RIGHT	0-1024	Étire la vidéo vers la droite	
	H LEFT/RIGHT	0-512	Étire la vidéo vers le gauche et la droite	
	CENTER	0-384	Étire la vidéo dans toutes les directions	
RESET			Réinitialise tous les réglages de zoom	
VGA ADJUST	H POS	-100-100	Permet de régler la position horizontale de la vidéo VGA	
	V POS	-100-100	Permet de régler la position verticale de la vidéo VGA	
	CLOCK	-100-100	Permet de régler la horloge de signal d'entrée VGA	
	PHASE	-100-100	Permet de régler la phase du signal d'entrée VGA	
	AUTO ADJUST		Permet d'ajuster automatiquement le signal d'entrée VGA	
ADC ADJUST	ADC AUTO ADJUST	YES <SEL>, NO <MENU>	Permet d'ajuster automatiquement la luminosité	
	ADC RESET ALL	YES <SEL>, NO <MENU>	Permet de réinitialiser le paramétrage ADC	
SDI ADJUST	H POS	27-227	Réservé pour une utilisation future	
	V POS	27-227		
	ANTI-ALIAS	STEP_126		
		STEP_7		
RESET				
OUTPUT			OUTPUT Niveau Principal	
OUTPUT DETAIL	--x--x--		Affiche les réglages courants de résolution et de fréquence de sortie, le mode DVI, la profondeur de bit, la plage de données, l'état, la position et la taille du signal DE (VGA ou YPbPr) ainsi que la polarité horizontale et verticale.	
	DVI MODE: ---			
	BIT DEPTH: __ BIT			
	DATA RANGE: -----			
	DE: ---			
	DE H POS: -----			
	DE V POS: -----			
	DE H SIZE: -----			
	DE V SIZE: -----			
	H POLARITY: ---			
V POLARITY: ---				
OUTPUT FORMAT	STANDARD	800x600x60	Sélectionne la résolution et la fréquence de la sortie à partir des options de pré-réglages	
		1024x768x60		
		1024x768x75		
		1280x720x60		
		1280x720x50		
		1280x768x60		
		1280x800x60		
		1280x1024x60		
		1360x768x60		
		1366x768x60		
		1400x1050x60		
		1440x800x60		
		1440x900x60		

NIVEAUX DE PROGRAMMATION			DESCRIPTION	
OUTPUT (suite)			OUTPUT Niveau Principal (suite)	
OUTPUT FORMAT (suite)	STANDARD (suite)	1600x1200x60	Sélectionne la résolution et la fréquence de la sortie à partir des options de préréglages	
		1680x1050x60		
		1920x1080x60		
		1920x1080x50		
		1920x1120x60		
		1920x1200x60		
		2048x1152x60		
		2560x812x60		
		1560x816x60		
	CUSTOM	___x___x__	Permet de définir une résolution et une fréquence personnalisées	
OUTPUT ADJUST	DVI MODE	DVI	Permet de définir le protocole sur DVI (par défaut)	
		HDMI	Permet de définir le protocole sur HDMI	
	BIT DEPTH	8 BIT (DVI) / 8-12 BIT (HDMI)	Permet de définir la profondeur de bit du mode HDMI	
	DATA RANGE	IMAGE	Espace couleur RGB	
		VIDEO	Espace couleur YUV	
	DE ADJUST	DE	OFF	Permet d'activer ou désactiver le réglage du signal du connecteur DE-15
			ON	
		H POS	0-_____	Permet de régler la position horizontale
		V POS	0-_____	Permet de régler la position verticale
		H SIZE	61-_____	Permet de régler la taille horizontale (largeur)
		V SIZE	61-_____	Permet de régler la taille verticale (hauteur)
		H POLARITY	POS	Permet de définir la phase du balayage horizontal
			NEG	
V POLARITY	POS	Permet de définir la phase du balayage vertical		
	NEG			
RESET			Permet de réinitialiser tous les réglages appliqués sur la sortie	
SCALE	H SIZE	61-_____	Permet de définir la largeur du signal DVI1 OUT	
	V SIZE	61-_____	Permet de définir la hauteur du signal DVI1 OUT	
	H POS	-100-_____	Permet de définir la position horizontale du signal DVI1 OUT	
	V POS	-16-_____	Permet de définir la position verticale du signal DVI1 OUT	
	RESET			Permet de réinitialiser les paramètres de mise à l'échelle
SCREEN	H SIZE	61-_____	Permet de définir la largeur du signal DVI2+VGA OUT	
	V SIZE	61-_____	Permet de définir la hauteur du signal DVI2+VGA OUT	
	H POS	0-_____	Permet de définir la position horizontale du signal DVI2+VGA OUT	
	V POS	0-_____	Permet de définir la position verticale du signal DVI2+VGA OUT	
	MODE	FULL SIZE	Permet de paramétrer la sortie DVI2+VGA OUT afin qu'elle envoie une vidéo non mise à l'échelle	
		SCREEN SIZE	Permet de paramétrer la sortie DVI2+VGA OUT afin qu'elle envoie une vidéo mise à l'échelle	
RESET			Réinitialise les paramètres de l'écran	
RATIO	4:3		Permet de définir le rapport hauteur/largeur sur 4:3	
	16:9		Permet de définir le rapport hauteur/largeur sur 16:9	
	NORMAL		Ne modifie pas le rapport hauteur/largeur	

NIVEAUX DE PROGRAMMATION			DESCRIPTION
OUTPUT (suite)			OUTPUT Niveau Principal (suite)
PICTURE	BRIGHTNESS	0–100	Permet de régler la luminosité de la sortie
	CONTRAST	0–100	Permet de régler le contraste de la sortie
	SATURATION	0–100	Permet de régler la saturation de la sortie
	SHARPNESS	0–100	Permet de régler la netteté de la sortie
	COLOR RED	0–100	Permet de régler le niveau de rouge général
	COLOR GRN	0–100	Permet de régler le niveau de vert général
	COLOR BLUE	0–100	Permet de régler le niveau de bleu général
	RESET		
PIP	PIP	OFF	Permet d'activer ou de désactiver le mode d'incrustation d'image (PIP)
		ON	
	LAYOUT	PIP L+T	L'image incrustée est placée en haut à gauche de la sortie
		PBP L+R	La sortie est séparée verticalement (gauche et droite)
		PBP T+B	La sortie est séparée horizontalement (haut et bas)
	SWAP IMAGE	OFF	Permet d'inverser l'image A et l'image B
		ON	
ALPHA	0–16	Permet de régler la transparence de l'image incrustée (PIP)	
SELECT	IMAGE A	Permet d'activer la mise à l'échelle de l'image A	
	IMAGE B	Permet d'activer la mise à l'échelle de l'image B	
TEXT OVERLAY	TEXT OVERLAY	OFF	Permet d'activer ou de désactiver la superposition vidéo
		ON	
	PRESET	User	Couleur personnalisée
		WhOnBk1	Blanc sur noir 1
		WhOnBk2	Blanc sur noir 2
		BkOnWh1	Noir sur blanc 1
		BkOnWh2	Noir sur blanc 2
		GrnOnBk1	Vert sur noir 1
		GrnOnBk2	Vert sur noir 2
		GrnOnWh1	Vert sur blanc 1
		GrnOnWh2	Vert sur blanc 2
		RedOnBk1	Rouge sur noir 1
		RedOnBk2	Rouge sur noir 2
		RedOnWh1	Rouge sur blanc 1
		RedOnWh2	Rouge sur blanc 2
	BLEND MODE	MODE1	Superposition vidéo opaque et arrière-plan transparent
		MODE2	Superposition vidéo transparente, pas d'arrière plan
	BLEND LEVEL	0–15	Permet de régler la transparence de la superposition vidéo
	ABOVE/BELOW	BELOW	Mode en dessous
		ABOVE	Mode au dessus
AND/OR	OR	Mode OR (gauche)	
	AND	Mode AND (droite)	
RED	0–248	Permet de définir un niveau de rouge personnalisé pour la superposition vidéo	
GREEN	0–252	Permet de définir un niveau de vert personnalisé pour la superposition vidéo	
BLUE	0–248	Permet de définir un niveau de bleu personnalisé pour la superposition vidéo	
DISPLAY MODE	MODE	BLACK SCREEN	Permet de couper la sortie
		LIVE IMAGE	Sortie vidéo
		FREEZE IMAGE	Permet de geler la sortie vidéo sur une image
		FLAT IMAGE	Affichage d'une couleur unique
		TEST PATTERN	Affichage d'un motif de test

NIVEAUX DE PROGRAMMATION				DESCRIPTION		
OUTPUT (suite)				OUTPUT Niveau Principal (suite)		
OUTPUT (suite)	DISPLAY MODE (suite)	TEST PATTERN	TEST PATTERN	1-66	Permet de sélectionner parmi 66 motifs de tests disponibles	
			AUTO SWITCH	OFF	Les motifs de test ne basculent pas automatiquement	
				1-10s	Permet de définir le délai entre deux motifs de test	
				RED	0-255	Permet de définir la couleur du motif de test 65
			GREEN	0-255		
			BLUE	0-255		
			HOR STEP	0-64	Permet de définir le nombre de pas du motif de test 66	
				VER STEP		0-64
				COLOR		RED
			GREEN			
	BLUE					
	FLAT COLOR	RED	0-255	Permet de définir la couleur à afficher en mode d'image plane		
		GREEN	0-255			
BLUE		0-255				
GAMMA	LINEAR			Permet de définir le paramètre de correction gamma pour la sortie		
	sRGB					
	-1.2					
	1.2					
	-1.4					
	1.4					
	-1.6					
1.6						
TRANSITION				TRANSITION Niveau Principal		
TRANSITION	MODE	CUT		Pas de transition		
		FADE		Fondu des sources vidéo avec la transition		
		POP L+T		La source vidéo 2 rentre par le haut à gauche		
		PUSH L+T		La source vidéo 1 sort par le haut à gauche		
		POP R+T		La source vidéo 2 rentre par le haut à droite		
		PUSH R+T		La source vidéo 1 sort par le haut à droite		
		POP L+B		La source vidéo 2 rentre par le bas à gauche		
		PUSH L+B		La source vidéo 1 sort par le bas à gauche		
		POP R+B		La source vidéo 2 rentre par le bas à droite		
		PUSH R+B		La source vidéo 1 sort par le bas à droite		
		POP CENT		La source vidéo 2 s'étire à partir du centre		
		PUSH CENT		La source vidéo 1 rétrécit à partir du centre		
		POP LEFT		La source vidéo 2 rentre par la gauche		
		PUSH LEFT		La source vidéo 1 sort par la gauche		
		POP RIGHT		La source vidéo 2 rentre par la droite		
		PUSH RIGHT		La source vidéo 1 sort par la droite		
		POP TOP		La source vidéo 2 rentre par le haut		
		PUSH TOP		La source vidéo 1 sort par le haut		
		POP BOTTOM		La source vidéo 2 rentre par le bas		
	PUSH BOTTOM		La source vidéo 1 sort par le bas			
FADE TIME		0.0-1.0s	Permet de définir le délai d'une transition			
ALPHA		0-16	Permet de régler la transparence			
DEINTERLACE		ON	Permet d'activer ou de désactiver le désentrelacement			
		OFF				

NIVEAUX DE PROGRAMMATION		DESCRIPTION			
SPLIT		SPLIT Niveau Principal			
SPLIT	SPLIT	<table border="1"> <tr><td>OFF</td></tr> <tr><td>ON</td></tr> </table> Permet d'activer ou de désactiver le fractionnement	OFF	ON	
	OFF				
	ON				
	H TOTAL	0-4096	Permet de définir la taille totale de l'assemblage de panneaux		
	V TOTAL	0-4096			
	H POS	0- _ _ _ _	Permet de définir la position de la sortie de ce contrôleur sur l'assemblage de panneaux		
	V POS	0- _ _ _ _			
H SIZE	0- _ _ _ _	Permet de définir la taille de la sortie de ce contrôleur sur l'assemblage de panneaux			
V SIZE	0- _ _ _ _				
SAVE SETUP		SAVE SETUP Niveau Principal			
SAVE TO	SAVE 1-10	Enregistre les paramètres actuels			
LOAD FROM	SAVE 1-10	Charge les paramètres sauvegardés souhaités			
DELAY CALL	0-255s	Permet de régler le délai de la sortie pour les chainages à multiple contrôleurs			
SYSTEM		SYSTEM Niveau Principal			
SYSTEM	SYSTEM INFO	<table border="1"> <tr><td>MCU VER: _ _ _</td></tr> <tr><td>VIDEO VER: _ _ _</td></tr> <tr><td>SN: _ _ _ _</td></tr> </table> Affiche les informations système	MCU VER: _ _ _	VIDEO VER: _ _ _	SN: _ _ _ _
	MCU VER: _ _ _				
	VIDEO VER: _ _ _				
	SN: _ _ _ _				
	TECH SUPPORT	<table border="1"> <tr><td>SALES HOTLINE: (800) 762-1084</td></tr> <tr><td>AFTER-SALE SERVICE:</td></tr> </table> Affiche les numéros de téléphone pour obtenir de l'aide	SALES HOTLINE: (800) 762-1084	AFTER-SALE SERVICE:	
	SALES HOTLINE: (800) 762-1084				
	AFTER-SALE SERVICE:				
	DATE&TIME		DATE: YYYY-MM-DD	Affiche la date courante	
			TIME: HH:MM:SS	Affiche l'heure courante	
			WORK TIME: _ _ d: _ _ h: _ _ m	Affiche la durée de fonctionnement depuis le dernier démarrage de l'appareil	
			TOTAL TIME: _ _ d: _ _ h: _ _ m	Affiche le temps total pendant lequel le produit a fonctionné	
			BOOT TIMES: _ _	Affiche le nombre de fois où le produit a été démarré	
		TIMING CONTROL	<table border="1"> <tr><td>ON</td></tr> <tr><td>OFF</td></tr> </table> Permet d'activer/désactiver le contrôle de l'horloge	ON	OFF
		ON			
	OFF				
CHANGE DATE	YYYY-MM-DD	Permet de régler la date			
CHANGE TIME	HH:MM:SS	Permet de définir l'heure			
LOCK FRONT PANEL	YES <SEL>, NO <MENU>	Permet de verrouiller le panneau avant (maintenir enfoncée la touche <MENU> pendant 3 secondes pour déverrouiller)			
LICENSE SETUP	ENTER PASSWORD 000000-999999	Aucune fonction			
CAN USE TIME	NO LIMIT	Aucune fonction			
HOT BACKUP	HOT BACKUP	<table border="1"> <tr><td>OFF</td></tr> <tr><td>ON</td></tr> </table> Permet d'activer/désactiver la sauvegarde à chaud	OFF	ON	
	OFF				
	ON				
	BACKUP_1-5		CV1	Désigne les signaux de sauvegarde par ordre de priorité	
			HDMI		
		YPbPr			
		VGA			
	SDI				
USB UPGRADE	YES <SEL>, NO <MENU>	Permet de réaliser une mise à jour de microprogramme par USB			
EDID FOLLOW		OFF	Permet d'activer/désactiver le suivi EDID		
		ON			
LANGUAGE? ?		ENG	Paramètre la langue d'affichage en Anglais		
		? ?	Paramètre la langue d'affichage en Chinois		
FACTORY RESET	FACTORY RESET	YES <SEL>, NO <MENU>	Réinitialise l'appareil aux réglages d'usine		
	SAVE IP RESET	YES <SEL>, NO <MENU>	Efface tous les paramètres enregistrés		

Über diese Schnellanleitung

In der Schnellanleitung des Vivid Drive 23N finden Sie die wesentlichen Produktinformationen, wie etwa über die Montage und Menüoptionen des Geräts. Laden Sie für weiterführende Informationen unter www.chauvetdj.com das Benutzerhandbuch herunter.

Haftungsausschluss

Die in dieser Anleitung aufgeführten Informationen und Spezifikationen können ohne vorherige Ankündigung geändert werden.

Sicherheitshinweise

Diese Sicherheitshinweise enthalten wichtige Informationen über die Montage, Verwendung und Wartung des Geräts.



- Schließen Sie dieses Produkt NUR an einen mit der Erde verbundenen und geschützten Stromkreis an.
- Trennen Sie das Gerät von der Stromquelle, bevor Sie es reinigen.
- Stellen Sie sicher, dass das Netzkabel nicht gequetscht oder beschädigt ist.
- Ziehen Sie beim Trennen des Geräts von der Stromversorgung nie am Kabel.
- KEINE entflammaren Materialien während des Betriebs in der Nähe des Geräts lagern.
- NIEMALS während des Betriebs das Gehäuse berühren, da dies sehr heiß wird.



- Die Spannung der Schukosteckdose, an die Sie das Gerät anschließen, muss sich innerhalb des Spannungsbereiches befinden, der auf dem Hinweisschild oder dem rückwärtigen Bedienfeld des Geräts angegeben ist.
- Dieses Gerät darf nur im Innenbereich verwendet werden. (IP20) Um das Risiko von Bränden oder elektrischen Schlägen zu vermeiden, dürfen Sie das Gerät nicht Regen oder Feuchtigkeit aussetzen.
- Installieren Sie das Gerät an einem Ort mit ausreichender Belüftung und mit einem Abstand von 50 cm zu den angrenzenden Flächen.
- Stellen Sie sicher, dass die Lüftungsöffnungen im Gehäuse des Geräts nicht verschlossen sind.
- Schließen Sie dieses Gerät niemals an einen Dimmer oder Regelwiderstand an.
- Tragen Sie das Produkt niemals am Netzkabel.
- Die maximal zulässige Umgebungstemperatur beträgt 40 °C. Nehmen Sie das Gerät nicht bei höheren Temperaturen in Betrieb.
- Bei ernsthaften Betriebsproblemen stoppen Sie umgehend die Verwendung des Geräts.
- Dieses Gerät NICHT öffnen. Die eingebauten Komponenten sind für den Kunden wartungsfrei.
- Um unnötigen Verschleiß zu vermeiden und die Lebensdauer des Geräts zu verlängern, trennen Sie während längerer Perioden des Nichtgebrauchs das Gerät vom Stromnetz – entweder per Trennschalter oder durch Herausziehen des Steckers aus der Steckdose.

Kontakt

Kunden außerhalb der USA, GB, Irland, Benelux, Frankreich, Deutschland oder Mexiko wenden sich an ihren Lieferanten, um den Kundensupport in Anspruch zu nehmen oder ein Produkt zurückzuschicken. Kontaktinformationen finden Sie unter www.chauvetdj.com.

Packungsinhalt

- Vivid Drive 23N
- Netzkabel
- Rack-Montage-Adapter
- DVI-zu-DVI Jumper
- USB-Kabel
- Garantiekarte
- Schnellanleitung

Start

Packen Sie Ihren Vivid Drive 23N aus und überprüfen Sie, ob Sie alle Teile unbeschädigt erhalten haben. Wenn die Verpackung beschädigt ist, benachrichtigen Sie umgehend das Transportunternehmen, nicht jedoch Chauvet.

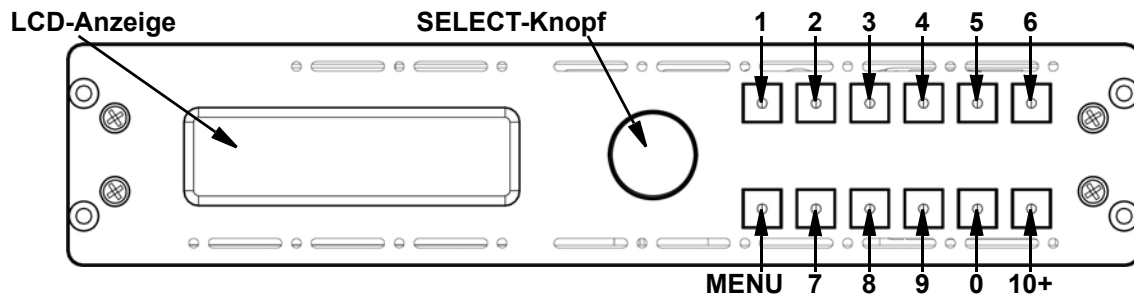
Wechselstrom

Dieses Gerät verfügt über ein Vorschaltgerät, das automatisch die anliegende Spannung erkennt, sobald der Netzstecker in die Schukosteckdose gesteckt wird, und kann mit einer Eingangsspannung von 100~240 V AC, 50/60 Hz arbeiten.



Um unnötigen Verschleiß zu vermeiden und die Lebensdauer des Geräts zu verlängern, trennen Sie während längerer Perioden des Nichtgebrauchs das Gerät vom Stromnetz – entweder per Trennschalter oder durch Herausziehen des Steckers aus der Steckdose.

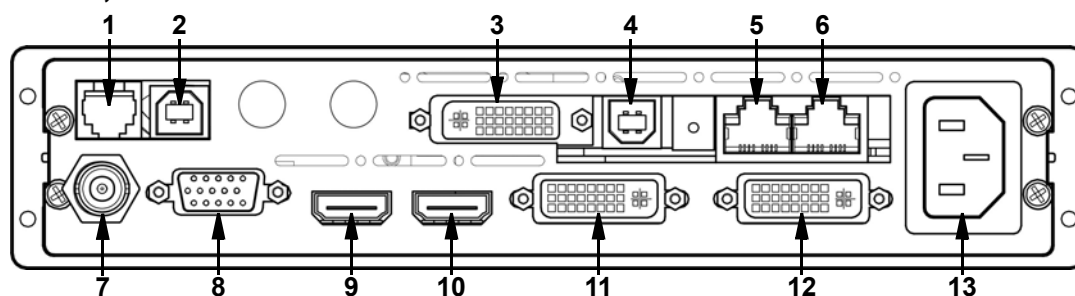
Produktübersicht, Vorderseite



Beschreibung des Bedienfeldes

TASTE/DREHKNOPF	FUNKTION
SELECT-Knopf	Drehen Sie diesen Knopf, um nach oben oder unten durch die Menüliste zu scrollen und um einen ausgewählten numerischen Wert zu erhöhen oder zu verringern. Drücken Sie diese Taste, um die aktuell angezeigte Menüoption zu aktivieren oder den aktuell ausgewählte Wert in einer Funktion einzustellen.
<CV/1>	Damit wird die CVBS-Eingangsquelle ausgewählt oder die Nummer 1 eingegeben, wenn ein numerischer Wert bearbeitet wird
<HDMI/2>	Damit wird die HDMI-Eingangsquelle ausgewählt oder die Nummer 2 eingegeben, wenn ein numerischer Wert bearbeitet wird
<SDI/3>	Damit wird die Nummer 3 eingegeben, wenn ein numerischer Wert bearbeitet wird
<VGA/4>	Damit wird die VGA-Eingangsquelle ausgewählt oder die Nummer 4 eingegeben, wenn ein numerischer Wert bearbeitet wird
<YPbPr/5>	Damit wird die YPbPr-Eingangsquelle ausgewählt oder die Nummer 5 eingegeben, wenn ein numerischer Wert bearbeitet wird
<BLACK/6>	Damit wird der Videoausgang verdunkelt oder die Nummer 6 eingegeben, wenn ein numerischer Wert bearbeitet wird
<MENU>	Damit verlassen Sie das aktuelle Menü oder die Funktion. Betätigen Sie die Taste für 3 Sekunden, um das Bedienfeld zu sperren oder zu entsperren.
<SCALE/7>	Damit navigieren Sie direkt zum Menü "Skalieren" oder es wird die Nummer 7 eingegeben, wenn ein numerischer Wert bearbeitet wird
<SPLIT/8>	Damit navigieren Sie direkt zum Menü "Teilen" oder es wird die Nummer 8 eingegeben, wenn ein numerischer Wert bearbeitet wird
<COM/9>	Damit wird die Nummer 9 eingegeben, wenn ein numerischer Wert bearbeitet wird
<SAVE/0>	Damit navigieren Sie direkt zum Menü "Speichern" oder es wird die Nummer 0 eingegeben, wenn ein numerischer Wert bearbeitet wird
<LOAD/10+>	Damit navigieren Sie direkt zum Menü "Laden"

Produktübersicht, Rückseite



Beschreibung des Bedienfeldes auf der Rückseite

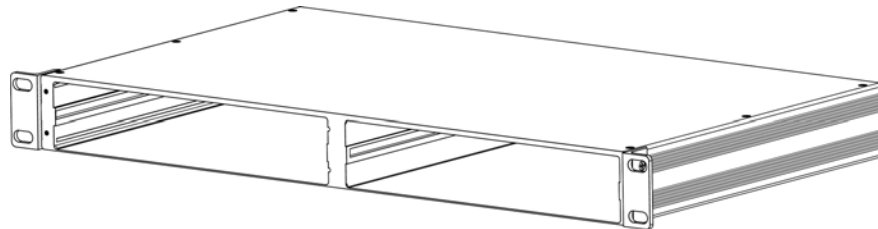
#	ANSCHLUSS	FUNKTION
1	RS232	RJ12-Anschluss für den Anschluss einer Fernbedienung
2	USB B 1	USB B-Anschluss für Firmware-Updates
3	DVI In	DVI-Eingangsbuchse für Videosignale von DVI1 OUT (11) oder einer vorkalierten Videoquelle
4	USB B 2	USB B-Anschluss für die Verbindung mit NovaLCT Mars
5	Ethernet Out 2	Ethernet-Anschlüsse für das Senden von Videosignalen an die Videobildschirme (6 ist Anschluss 1, 5 ist Anschluss 2)
6	Ethernet Out 1	
7	CVBS IN	BNC-Steckverbinder für CVBS-Eingang
8	VGA/YPbPr IN	DE-15-Steckverbinder für Videoeingang von einer VGA- oder YPbPr-Quelle
9	HDMI IN	HDMI-Eingangsbuchse zu Scaler. Dieser Anschluss muss bei Verwendung eines Scalers verwendet werden.
10	HDMI LOOP	HDMI-Ausgang zum Senden nicht-skaliertes HDMI-Videosignale an andere Geräte
11	DVI1 OUT	DVI-Ausgang zum Senden skaliertes Videosignale an die DVI-Eingangsbuchse (3). Dieser Anschluss muss an DVI In (3) angeschlossen sein, um einen Scaler verwenden zu können.
12	DVI2+VGA OUT	DVI-Ausgang zum Senden skaliertes Videosignale an andere Geräte
13	Power In	Netzanschlussbuchse für einen Spannungsbereich von 100 bis 240 V AC, 50/60 Hz

Montage

Der Vivid Drive 23N verfügt über einen Rack-Montage-Adapter zum Einbau von 1 oder 2 Vivid Drive 23N-Geräten in ein standardmäßiges 19-Zoll-Rack.

Lesen Sie vor der Montage dieses Geräts in jedem Fall die [Sicherheitshinweise](#).

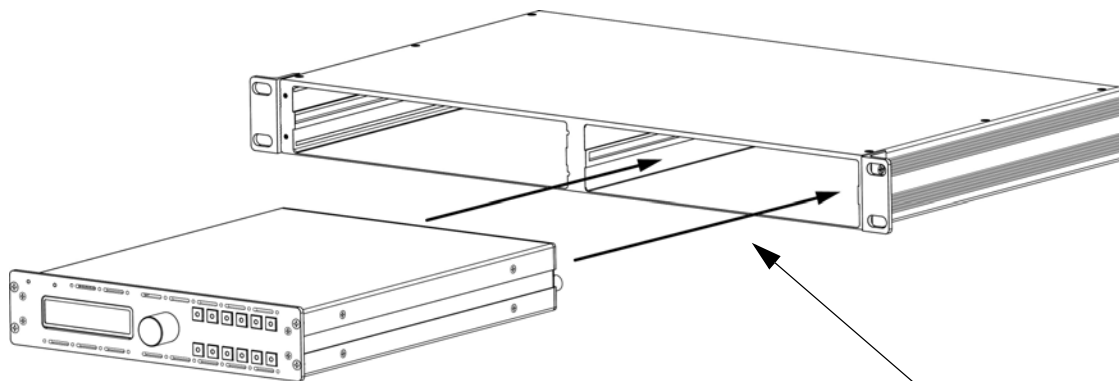
Montageansicht



Rack-Montage-Adapter



Abdeckung für nicht genutzten Steckplatz



In Steckplatz einstecken
und mit Schrauben sichern

Menükarte

PROGRAMMIEREbenen		Beschreibung	
INPUT		INPUT Hauptebene	
INPUT DETAIL	-----	Damit wird der aktuell ausgewählte Eingang angezeigt	
ZOOM ADJUST	V UP	0-768	Damit strecken Sie das Video nach oben
	V DOWN	0-768	Damit strecken Sie das Video nach unten
	V UP/DOWN	0-384	Damit strecken Sie das Video nach oben und unten
	H LEFT	0-1024	Damit strecken Sie das Video nach links
	H RIGHT	0-1024	Damit strecken Sie das Video nach rechts
	H LEFT/RIGHT	0-512	Damit strecken Sie das Video nach links und rechts
	CENTER	0-384	Damit strecken Sie das Video in alle Richtungen
RESET		Damit setzen Sie alle Einstellungen des Zooms zurück	
VGA ADJUST	H POS	-100-100	Damit stellen Sie die horizontale Position des VGA-Videos ein
	V POS	-100-100	Damit stellen Sie die vertikale Position des VGA-Videos ein
	CLOCK	-100-100	Damit stellen Sie die VGA-Eingangssignal-Uhr ein
	PHASE	-100-100	Damit stellen Sie die VGA-Eingangssignalphase ein
	AUTO ADJUST		Damit stellen das VGA-Eingangssignal automatisch
ADC ADJUST	ADC AUTO ADJUST	YES <SEL>, NO <MENU>	Damit wird die Helligkeit automatisch eingestellt
	ADC RESET ALL	YES <SEL>, NO <MENU>	Damit setzen Sie die ADC-Einstellung zurück
SDI ADJUST	H POS	27-227	Für künftige Verwendung reserviert
	V POS	27-227	
	ANTI-ALIAS	STEP_126	
		STEP_7	
RESET			
OUTPUT		OUTPUT Hauptebene	

PROGRAMMIEREbenen		BESCHREIBUNG												
OUTPUT	OUTPUT DETAIL	<table border="1"> <tr><td>---_x---_x---</td></tr> <tr><td>DVI MODE: ---</td></tr> <tr><td>BIT DEPTH: __ BIT</td></tr> <tr><td>DATA RANGE: -----</td></tr> <tr><td>DE: ---</td></tr> <tr><td>DE H POS: -----</td></tr> <tr><td>DE V POS: -----</td></tr> <tr><td>DE H SIZE: -----</td></tr> <tr><td>DE V SIZE: -----</td></tr> <tr><td>H POLARITY: ---</td></tr> <tr><td>V POLARITY: ---</td></tr> </table>	---_x---_x---	DVI MODE: ---	BIT DEPTH: __ BIT	DATA RANGE: -----	DE: ---	DE H POS: -----	DE V POS: -----	DE H SIZE: -----	DE V SIZE: -----	H POLARITY: ---	V POLARITY: ---	Damit wird die aktuell eingestellte Ausgabeauflösung und -frequenz, der DVI-Modus, die Bit-Tiefe, der Datumsbereich, der DE (VGA oder YPbPr) -Signalstatus, die Position und die Größe sowie die horizontale und vertikale Polarität angezeigt.
		---_x---_x---												
		DVI MODE: ---												
		BIT DEPTH: __ BIT												
		DATA RANGE: -----												
		DE: ---												
		DE H POS: -----												
		DE V POS: -----												
		DE H SIZE: -----												
		DE V SIZE: -----												
H POLARITY: ---														
V POLARITY: ---														
OUTPUT FORMAT	STANDARD	<table border="1"> <tr><td>800x600x60</td></tr> <tr><td>1024x768x60</td></tr> <tr><td>1024x768x75</td></tr> <tr><td>1280x720x60</td></tr> <tr><td>1280x720x50</td></tr> <tr><td>1280x768x60</td></tr> <tr><td>1280x800x60</td></tr> <tr><td>1280x1024x60</td></tr> <tr><td>1360x768x60</td></tr> <tr><td>1366x768x60</td></tr> <tr><td>1400x1050x60</td></tr> </table>	800x600x60	1024x768x60	1024x768x75	1280x720x60	1280x720x50	1280x768x60	1280x800x60	1280x1024x60	1360x768x60	1366x768x60	1400x1050x60	Damit wählen Sie die Ausgabeauflösung und -frequenz aus den Voreinstellungsoptionen aus
			800x600x60											
			1024x768x60											
			1024x768x75											
			1280x720x60											
			1280x720x50											
			1280x768x60											
			1280x800x60											
			1280x1024x60											
			1360x768x60											
1366x768x60														
1400x1050x60														
OUTPUT (Fortsetzung)		OUTPUT Hauptebene (Fortsetzung)												

PROGRAMMIEREbenen			BESCHREIBUNG	
OUTPUT FORMAT (Fortsetzung)	STANDARD (Fortsetzung)	1440x800x60	Damit wählen Sie die Ausgabeauflösung und -frequenz aus den Voreinstellungsoptionen aus	
		1440x900x60		
		1600x1200x60		
		1680x1050x60		
		1920x1080x60		
		1920x1080x50		
		1920x1120x60		
		1920x1200x60		
		2048x1152x60		
		2560x812x60		
		1560x816x60		
	CUSTOM	---x---x---	Damit wählen Sie die benutzerdefinierte Auflösung und Frequenz aus	
OUTPUT ADJUST (Fortsetzung)	DVI MODE	DVI	Damit legen Sie das Protokoll auf DVI (Standard) fest	
		HDMI	Damit legen Sie das Protokoll auf HDMI fest	
	BIT DEPTH	8 BIT (DVI) / 8-12 BIT (HDMI)		Damit legen Sie die Bit-Tiefe im HDMI-Modus fest
	DATA RANGE	IMAGE		RGB-Farbraum
		VIDEO		YUV-Farbraum
	DE ADJUST	DE	OFF	Damit können Sie das Signal vom DE-15-Steckverbinder aktivieren oder deaktivieren
			ON	
		H POS	0-_____	Damit stellen Sie die horizontale Position ein
		V POS	0-_____	Damit stellen Sie die vertikale Position ein
		H SIZE	61-_____	Damit stellen Sie die horizontale Größe (Breite) ein
		V SIZE	61-_____	Damit stellen Sie die vertikale Größe (Höhe) ein
		H POLARITY	POS	Damit stellen Sie die Phase des horizontalen Scans ein
	NEG			
V POLARITY	POS	Damit stellen Sie die Phase des vertikalen Scans ein		
	NEG			
RESET			Damit setzen Sie alle Einstellungen der Ausgabeanpassung zurück	
SCALE	H SIZE	61-_____	Damit stellen Sie die Breite von DVI1 OUT ein	
	V SIZE	61-_____	Damit stellen Sie die Höhe von DVI1 OUT ein	
	H POS	-100-_____	Damit stellen Sie die horizontale Position von DVI1 OUT ein	
	V POS	-16-_____	Damit stellen Sie die vertikale Position von DVI1 OUT ein	
	RESET			Damit setzen Sie die Skalierungseinstellungen zurück
SCREEN	H SIZE	61-_____	Damit stellen Sie die Breite von DVI2+VGA OUT ein	
	V SIZE	61-_____	Damit stellen Sie die Höhe von DVI2+VGA OUT ein	
	H POS	0-_____	Damit stellen Sie die horizontale Position von DVI2+VGA OUT ein	
	V POS	0-_____	Damit stellen Sie die vertikale Position von DVI2+VGA OUT ein	
	MODE	FULL SIZE		DVI2+VGA OUT gibt ein unskaliertes Video aus
		SCREEN SIZE		DVI2+VGA OUT gibt ein skaliertes Video aus
RESET			Damit setzen Sie die Bildschirmeinstellungen zurück	
RATIO	4:3		Damit stellen Sie das Bildformat auf 4:3 ein	
	16:9		Damit stellen Sie das Bildformat auf 16:9 ein	
	NORMAL		Damit wird das Bildformat nicht geändert	
OUTPUT (Fortsetzung)			OUTPUT Hauptebene (Fortsetzung)	

PROGRAMMIEREbenen			BESCHREIBUNG
PICTURE	BRIGHTNESS	0–100	Damit stellen Sie die Helligkeit der Ausgabe ein
	CONTRAST	0–100	Damit stellen Sie den Kontrast der Ausgabe ein
	SATURATION	0–100	Damit stellen Sie die Sättigung der Ausgabe ein
	SHARPNESS	0–100	Damit stellen Sie die Schärfe der Ausgabe ein
	COLOR RED	0–100	Damit stellen Sie den roten Bereich insgesamt ein
	COLOR GRN	0–100	Damit stellen Sie den grünen Bereich insgesamt ein
	COLOR BLUE	0–100	Damit stellen Sie den blauen Bereich insgesamt ein
	RESET		
PIP	PIP	OFF	Damit aktivieren oder deaktivieren Sie PIP
		ON	
	LAYOUT	PIP L+T	PIP erscheint oben links der Ausgabe
		PBP L+R	Die Ausgabe ist vertikal geteilt (links und rechts)
		PBP T+B	Die Ausgabe ist horizontal geteilt (oben und unten)
	SWAP IMAGE	OFF	Damit wird von Bild A zu Bild B gewechselt
		ON	
	ALPHA	0–16	Damit stellen Sie die Transparenz von PIP ein
SELECT	IMAGE A	Damit aktivieren Sie die Skalierung von Bild A	
	IMAGE B	Damit aktivieren Sie die Skalierung von Bild B	
TEXT OVERLAY	TEXT OVERLAY	OFF	Damit aktivieren oder deaktivieren Sie die Überlagerung
		ON	
	PRESET	User	Benutzerdefinierte Farbe
		WhOnBk1	Weiß auf Schwarz 1
		WhOnBk2	Weiß auf Schwarz 2
		BkOnWh1	Schwarz auf Weiß 1
		BkOnWh2	Schwarz auf Weiß 2
		GrnOnBk1	Grün auf Schwarz 1
		GrnOnBk2	Grün auf Schwarz 2
		GrnOnWh1	Grün auf Weiß 1
		GrnOnWh2	Grün auf Weiß 2
		RedOnBk1	Rot auf Schwarz 1
		RedOnBk2	Rot auf Schwarz 2
		RedOnWh1	Rot auf Weiß 1
	RedOnWh2	Rot auf Weiß 2	
	BLEND MODE	MODE1	Überlagerung ist vollständig, Hintergrund ist transparent
		MODE2	Überlagerung ist transparent, kein Hintergrund
	BLEND LEVEL	0–15	Damit stellen Sie die Transparenz der Überlagerung ein
	ABOVE/BELOW	BELOW	Darunter-Modus
		ABOVE	Darüber-Modus
AND/OR	OR	OR-Modus (links)	
	AND	AND-Modus (recht)	
RED	0–248	Damit stellen Sie den benutzerdefinierten roten Bereich der Überlagerung ein	
GREEN	0–252	Damit stellen Sie den benutzerdefinierten grünen Bereich der Überlagerung ein	
BLUE	0–248	Damit stellen Sie den benutzerdefinierten blauen Bereich der Überlagerung ein	
DISPLAY MODE	MODE	BLACK SCREEN	Damit wird die Ausgabe verdunkelt
		LIVE IMAGE	Videoausgang
		FREEZE IMAGE	Damit wird die Ausgabe auf ein Einzelbild eingefroren
		FLAT IMAGE	Zeigt eine einzelne Farbe an
		TEST PATTERN	Zeigt eine Testplattform an

OUTPUT (Fortsetzung)

OUTPUT Hauptebene (Fortsetzung)

PROGRAMMIEREbenen				BESCHREIBUNG	
OUTPUT (Fortsetzung)	DISPLAY MODE (Fortsetzung)	TEST PATTERN	TEST PATTERN	1-66	Damit wählen Sie aus 66 verfügbaren Testplattformen aus
			AUTO SWITCH	OFF	Testmuster werden nicht automatisch geändert
				1-10s	Damit legen Sie das Intervall zwischen den Testmustern fest
			RED	0-255	Damit legen Sie die Farbe des Testmusters 65 fest
			GREEN	0-255	
			BLUE	0-255	
			HOR STEP	0-64	Damit legen Sie die Anzahl der Schritte im Testmuster 66 fest
	VER STEP	0-64			
	COLOR	RED	Damit legen Sie die Farbe des Testmusters 66 fest		
		GREEN			
		BLUE			
	FLAT COLOR	RED	Damit legen Sie fest, welche einzelne Farbe im Reine Bilddateien-Modus angezeigt wird		
		GREEN			
BLUE					
GAMMA	LINEAR		Damit stellen Sie das Gamma der Ausgabe ein		
	sRGB				
	-1.2				
	1.2				
	-1.4				
	1.4				
	-1.6				
1.6					
TRANSITION				TRANSITION Hauptebene	
TRANSITION	MODE	CUT		Kein Übergang	
		FADE		Videoquellen werden mit dem Übergang ausgeblendet	
		POP L+T		Videoquelle 2 wird von oben links eingeblendet	
		PUSH L+T		Videoquelle 1 wird nach oben links ausgeblendet	
		POP R+T		Videoquelle 2 wird von oben rechts eingeblendet	
		PUSH R+T		Videoquelle 1 wird nach oben rechts ausgeblendet	
		POP L+B		Videoquelle 2 wird von unten links eingeblendet	
		PUSH L+B		Videoquelle 1 wird nach unten links ausgeblendet	
		POP R+B		Videoquelle 2 wird von unten rechts eingeblendet	
		PUSH R+B		Videoquelle 1 wird nach unten rechts ausgeblendet	
		POP CENT		Videoquelle 2 wird von der Mitte aus aufgeklappt	
		PUSH CENT		Videoquelle 1 wird zur Mitte zusammengeklappt	
		POP LEFT		Videoquelle 2 wird von links eingeblendet	
		PUSH LEFT		Videoquelle 1 wird nach links ausgeblendet	
		POP RIGHT		Videoquelle 2 wird von rechts eingeblendet	
		PUSH RIGHT		Videoquelle 1 wird nach rechts ausgeblendet	
		POP TOP		Videoquelle 2 wird von oben eingeblendet	
		PUSH TOP		Videoquelle 1 wird nach oben ausgeblendet	
		POP BOTTOM		Videoquelle 2 wird von unten eingeblendet	
		PUSH BOTTOM		Videoquelle 1 wird nach unten ausgeblendet	
FADE TIME	0.0-1.0s		Damit legen Sie die Dauer des Übergangs fest		
ALPHA	0-16		Damit stellen Sie die Transparenz ein		
DEINTERLACE	ON		Damit aktivieren oder deaktivieren Sie die Schärfenanhebung		
	OFF				
SPLIT				SPLIT Hauptebene	

PROGRAMMIEREbenen		BESCHREIBUNG	
SPLIT	SPLIT	OFF	Teilung aktivieren/deaktivieren
		ON	
	H TOTAL	0-4096	Damit stellen Sie die Größe der gesamten Panel-Baugruppe ein
	V TOTAL	0-4096	
	H POS	0-_-_-_-	Damit legen Sie die Position des Ausgangs dieses Treibers an der Panel-Baugruppe fest
	V POS	0-_-_-_-	
	H SIZE	0-_-_-_-	Damit stellen Sie die Größe des dieses Treibers an der Panel-Baugruppe fest
V SIZE	0-_-_-_-		
SAVE SETUP		SAVE SETUP Hauptebene	
SAVE TO	SAVE 1-10	Damit speichern Sie die aktuellen Einstellungen	
LOAD FROM	SAVE 1-10	Damit laden Sie die gewünschten gespeicherten Einstellungen	
DELAY CALL	0-255s	Damit stellen Sie die Ausgabeverzögerung der Mehrfachtreiberketten ein	
SYSTEM		SYSTEM Hauptebene	
SYSTEM INFO	MCU VER: _:_-		Zeigt Systeminformationen an
	VIDEO VER: _:_-		
SN: _:_-			
TECH SUPPORT	SALES HOTLINE: (800) 762-1084		Zeigt die Rufnummer für Hilfestellungen an
	AFTER-SALE SERVICE:		
DATE&TIME	DATE: YYYY-MM-DD		Zeigt das aktuelle Datum an
	TIME: HH:MM:SS		Zeigt die aktuelle Zeit an
	WORK TIME: _d:_h:_m		Zeigt an, wie lange das Gerät bereits in Betrieb ist
	TOTAL TIME: _d:_h:_m		Zeigt die Gesamtbetriebszeit des Geräts an
	BOOT TIMES: _-		Zeigt an, wie viele Male das Gerät eingeschaltet wurde
	TIMING CONTROL	ON	Damit aktivieren/deaktivieren Sie die Uhrensteuerung
	OFF		
CHANGE DATE	YYYY-MM-DD	Damit stellen Sie das Datum ein	
CHANGE TIME	HH:MM:SS	Damit stellen Sie die Uhrzeit ein	
LOCK FRONT PANEL	YES <SEL>, NO <MENU>		Damit sperren Sie das vordere Bedienfeld (halten Sie zum Entsperrern <MENU> für 3 Sekunden gedrückt)
LICENSE SETUP	ENTER PASSWORD 000000-999999		Keine Funktion
CAN USE TIME	NO LIMIT		Keine Funktion
HOT BACKUP	HOT BACKUP	OFF	Damit aktivieren/deaktivieren Sie die Sicherung während des Betriebs
		ON	
	BACKUP_1-5	CV1	Zeigt die Sicherungssignale in der Reihenfolge ihrer Priorität an
		HDMI	
		YPbPr	
		VGA	
		SDI	
USB UPGRADE	YES <SEL>, NO <MENU>		Damit aktivieren Sie ein Firmware-Update per USB
EDID FOLLOW	OFF		Damit aktivieren/deaktivieren Sie die EDID-Verfolgung
	ON		
LANGUAGE? ?	ENG		Damit legen Sie die Sprache auf Englisch fest
	? ?		Damit legen Sie die Sprache auf Chinesisch fest
FACTORY RESET	FACTORY RESET	YES <SEL>, NO <MENU>	Damit stellen Sie das Gerät auf die Werkseinstellungen zurück
	SAVE IP RESET	YES <SEL>, NO <MENU>	Damit löschen Sie alle gespeicherten Einstellungen

Informazioni sulla Guida

La Guida Rapida Vivid Drive 23N contiene informazioni di base sul prodotto quali montaggio e opzioni menù. Per maggiori dettagli, scaricare il Manuale Utente dal sito www.chauvetdj.com.

Esclusione di responsabilità

Le informazioni e le specifiche contenute in questa guida possono essere modificate senza preavviso.

Note di Sicurezza

Le Note di Sicurezza includono informazioni importanti circa il montaggio, l'uso e la manutenzione.



- Collegare questa unità SOLTANTO ad un circuito dotato di messa a terra e protetto.
- Prima di effettuare la pulizia, scollegare sempre l'unità dall'alimentazione elettrica.
- Assicurarsi che il cavo di alimentazione non sia piegato o danneggiato.
- Non scollegare mai questa apparecchiatura dall'alimentazione elettrica tirando il cavo.
- NON collocare materiale infiammabile vicino all'unità mentre è in funzione.
- NON toccare l'unità durante il funzionamento perché potrebbe essere molto calda.
- La tensione della presa a muro cui si collega l'apparecchiatura deve trovarsi entro il campo specificato sull'etichetta o sul pannello posteriore.
- Questa apparecchiatura deve essere utilizzata soltanto in interni (IP20)! Per evitare il rischio di incendio o di folgorazione non esporre l'apparecchiatura alla pioggia o all'umidità.
- Montare sempre l'unità in posizione ben ventilata, ad almeno 50 cm. (20") da qualsiasi superficie.
- Assicurarsi che nessuna apertura di ventilazione dell'unità sia ostruita.
- Non collegare mai ad un dimmer o ad un reostato.
- Prendere e trasportare l'unità SOLTANTO dalla staffa per il montaggio sospeso o dalle maniglie.
- Massima temperatura ambiente ammessa: 40 °C (104 °F). Non utilizzare l'unità a temperature superiori.
- In caso di gravi problemi di funzionamento sospendere immediatamente l'utilizzo.
- NON aprire l'unità. Non contiene parti riparabili dall'utente.
- Per evitare un consumo inutile ed aumentare la durata, durante i periodi di non utilizzo disconnettere completamente il prodotto dall'alimentazione con l'interruttore o scollegando il cavo.



Contatti

Per richiedere assistenza o restituire l'apparecchiatura, al di fuori di Stati Uniti, Regno Unito, Irlanda, Benelux, Francia, Germania, o Messico contattare il distributore locale. Per informazioni sui contatti, visitare il sito Web www.chauvetdj.com.

Che cosa è incluso

- Vivid Drive 23N
- Cavo di alimentazione
- Adattatore per montaggio su rack
- DVI verso jumper DVI
- Cavo USB
- Scheda di garanzia
- Guida Rapida

Per iniziare

Disimballare Vivid Drive 23N ed accertarsi di aver ricevuto tutti i componenti integri. Se l'imballo appare danneggiato, farlo immediatamente presente al trasportatore e non a Chauvet.

Alimentazione CA

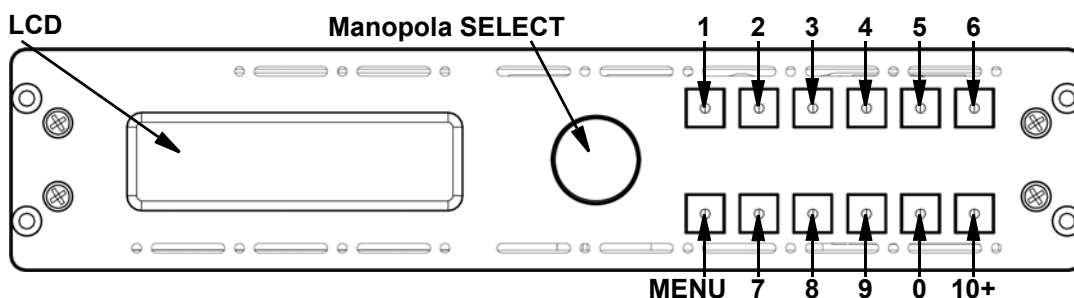
Questa unità è dotata di alimentatore a commutazione automatica con tensione in ingresso di 100–240 V CA, 50/60 Hz.



Per evitarne l'eccessiva usura e migliorarne la durata nel tempo, scollegare l'unità dalla presa elettrica o disattivare l'alimentazione tramite l'apposito interruttore, se inutilizzata per lunghi periodi.

Vista frontale

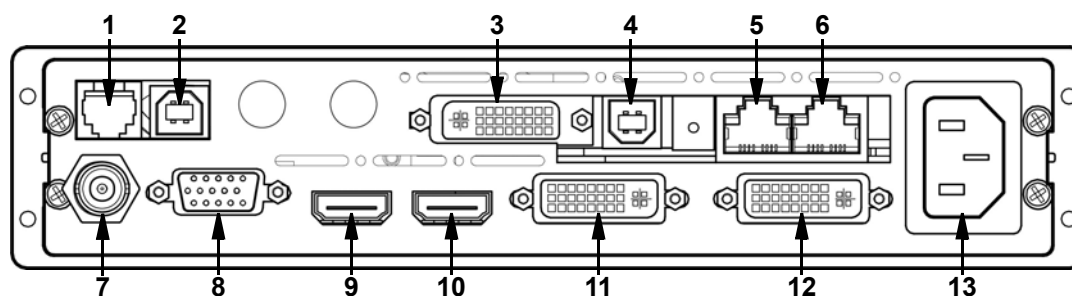
Display a LCD



Descrizione del pannello di controllo

PULSANTE/ MANOPOLA	FUNZIONE
Manopola SELECT	Ruotare per spostarsi verso l'alto o verso il basso nell'elenco menù ed aumentare o diminuire un valore numerico selezionato. Premere per attivare l'opzione di menù visualizzata o impostare il valore selezionato nella funzione selezionata.
<CV/1>	Seleziona l'ingresso CVBS, o inserisce il numero 1 quando si modifica un valore numerico
<HDMI/2>	Seleziona l'ingresso HDMI, o inserisce il numero 2 quando si modifica un valore numerico
<SDI/3>	Inserisce il numero 3 quando si modifica un valore numerico
<VGA/4>	Seleziona l'ingresso VGA, o inserisce il numero 4 quando si modifica un valore numerico
<YPbPr/5>	Seleziona l'ingresso YPbPr, o inserisce il numero 5 quando si modifica un valore numerico
<BLACK/6>	Disattiva l'uscita video, o inserisce il numero 6 quando si modifica un valore numerico
<MENU>	Consente di uscire dal menù o dalla funzione corrente. Per bloccare o sbloccare il pannello di controllo, premere e tenere premuto per 3 secondi.
<SCALE/7>	Consente di spostarsi direttamente sul menù Scale, o inserisce il numero 7 quando si modifica un valore numerico
<SPLIT/8>	Consente di spostarsi direttamente sul menù Split, o inserisce il numero 8 quando si modifica un valore numerico
<COM/9>	Inserisce il numero 9 quando si modifica un valore numerico
<SAVE/0>	Consente di spostarsi direttamente sul menù Save, o inserisce il numero 0 quando si modifica un valore numerico
<LOAD/10+>	Consente di spostarsi direttamente sul menù Load

Vista posteriore



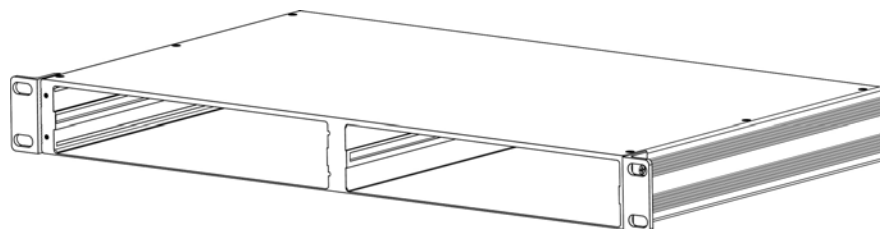
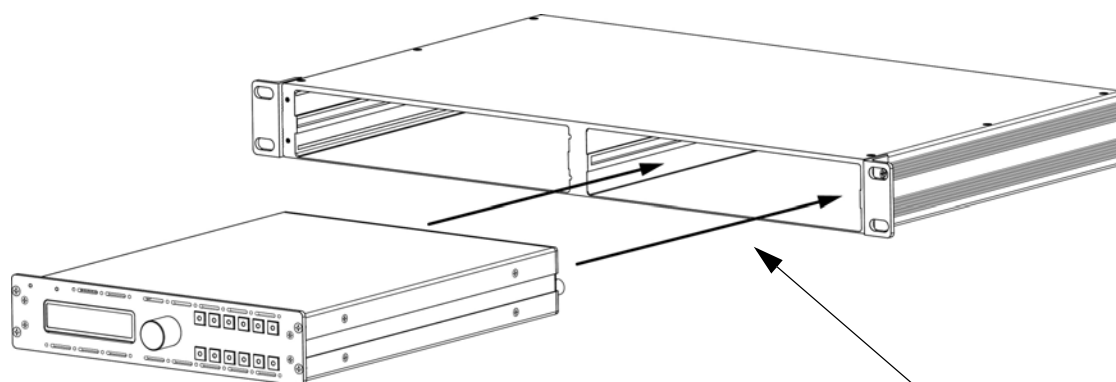
Descrizione del pannello di posteriore

#	PORTE	FUNZIONE
1	RS232	Porta RJ12 per collegamento telecomando.
2	USB B 1	Porta USB B per aggiornamenti firmware
3	DVI In	Presa ingresso DVI per segnali video da DVI1 OUT (11) o da sorgente video pre-scalata
4	USB B 2	Porta USB B per collegamento a NovaLCT Mars
5	Ethernet Out 2	Porte Ethernet per invio segnali ai pannelli video (6 è la porta 1, 5 è la porta 2)
6	Ethernet Out 1	
7	CVBS IN	Connettore BNC per ingresso CVBS
8	VGA/YPbPr IN	Connettore DE-15 per ingresso video da VGA o YPbPr
9	HDMI IN	Porta di ingresso HDMI verso scaler. Da utilizzare per lo scaler.
10	HDMI LOOP	Porta uscita HDMI per invio segnali video HDMI non scalati ad altri dispositivi
11	DVI1 OUT	Connettore uscita DVI per invio segnali video scalati alla porta DVI In (3). Per poter utilizzare lo scaler, questa porta deve essere collegata a DVI In (3).
12	DVI2+VGA OUT	Connettore uscita DVI per invio segnali video scalati ad altri dispositivi
13	Power In	Presa di alimentazione per tensioni da 100 a 240 V CA, 50/60 Hz

Montaggio

Vivid Drive 23N viene fornito completo di adattatore per montaggio su Rack, per una o due unità Vivid Drive 23N in un rack standard da 19 pollici.

Prima di montare l'unità, leggere le [Note di Sicurezza](#).

Schema di montaggio**Adattatore per montaggio su rack****Coperchietto slot vuota****Inserire nella slot e
fissare con le viti**

Mappa menu

LIVELLI DI PROGRAMMAZIONE			DESCRIZIONE		
INPUT			Livello principale INPUT		
INPUT	INPUT DETAIL	-----	Visualizza l'ingresso attualmente selezionato		
	ZOOM ADJUST	V UP	0-768	Allunga il video verso l'alto	
		V DOWN	0-768	Allunga il video verso il basso	
		V UP/DOWN	0-384	Allunga il video in alto ed in basso	
		H LEFT	0-1024	Allunga il video verso sinistra	
		H RIGHT	0-1024	Allunga il video verso destra	
		H LEFT/RIGHT	0-512	Allunga il video a sinistra e a destra	
		CENTER	0-384	Allunga il video in tutte le direzioni	
	RESET			Ripristina tutte le regolazioni dello Zoom	
	VGA ADJUST	H POS	-100-100	Regola la posizione orizzontale del video VGA	
		V POS	-100-100	Regola la posizione verticale del video VGA	
		CLOCK	-100-100	Regola l'orologio del segnale di ingresso VGA	
		PHASE	-100-100	Regola la fase del segnale di ingresso VGA	
	AUTO ADJUST			Regola automaticamente il segnale di ingresso VGA	
	ADC ADJUST	ADC AUTO ADJUST	YES <SEL>, NO <MENU>	Regola automaticamente la luminosità	
		ADC RESET ALL	YES <SEL>, NO <MENU>	Ripristina l'impostazione ADC	
	SDI ADJUST	H POS	27-227	Per utilizzo futuro	
		V POS	27-227		
		ANTI-ALIAS	STEP_126		
			STEP_7		
RESET					
OUTPUT			Livello principale OUTPUT		
OUTPUT	OUTPUT DETAIL	__x__x__	Visualizza la risoluzione e la frequenza in uscita attualmente impostate, la modalità DVI, la profondità di bit, la gamma dati, lo stato del segnale DE (VGA o YPbPr), la posizione, la dimensione e la polarità orizzontale e verticale.		
		DVI MODE: ___			
		BIT DEPTH: __ BIT			
		DATA RANGE: -----			
		DE: ___			
		DE H POS: -----			
		DE V POS: -----			
		DE H SIZE: -----			
		DE V SIZE: -----			
		H POLARITY: ___			
V POLARITY: ___					
OUTPUT	OUTPUT FORMAT	STANDARD	800x600x60	Visualizza la risoluzione e la frequenza di uscita dalle opzioni preimpostate	
			1024x768x60		
			1024x768x75		
			1280x720x60		
			1280x720x50		
			1280x768x60		
			1280x800x60		
			1280x1024x60		
			1360x768x60		
			1366x768x60		
			1400x1050x60		
			1440x800x60		
			1440x900x60		
			1600x1200x60		
1680x1050x60					
1920x1080x60					

LIVELLI DI PROGRAMMAZIONE			DESCRIZIONE	
OUTPUT (cont.)			Livello principale OUTPUT (cont.)	
OUTPUT FORMAT (cont.)	STANDARD (cont.)	1920x1080x50	Visualizza la risoluzione e la frequenza di uscita dalle opzioni preimpostate	
		1920x1120x60		
		1920x1200x60		
		2048x1152x60		
		2560x812x60		
		1560x816x60		
	CUSTOM	___x___x__	Imposta la risoluzione e la frequenza personalizzate	
OUTPUT ADJUST	DVI MODE	DVI		Imposta il protocollo DVI (predefinito)
		HDMI		Imposta il protocollo HDMI
	BIT DEPTH	8 BIT (DVI) / 8-12 BIT (HDMI)		Imposta la profondità di bit in modalità HDMI
	DATA RANGE	IMAGE		Spazio colore RGB
		VIDEO		Spazio colore YUV
	DE ADJUST	DE	OFF	Attiva o disattiva la regolazione del segnale dal connettore DE-15
			ON	
		H POS	0-_____	Regola la posizione orizzontale
		V POS	0-_____	Regola la posizione verticale
		H SIZE	61-_____	Regola la dimensione orizzontale (larghezza)
		V SIZE	61-_____	Regola la dimensione verticale (altezza)
		H POLARITY	POS	Imposta la fase della scansione orizzontale
			NEG	
	V POLARITY	POS	Imposta la fase della scansione verticale	
NEG				
RESET			Ripristina tutte le impostazioni di regolazione di uscita	
SCALE	H SIZE	61-_____	Imposta la larghezza di DVI1 OUT	
	V SIZE	61-_____	Imposta l'altezza di DVI1 OUT	
	H POS	-100-_____	Imposta la posizione orizzontale di DVI1 OUT	
	V POS	-16-_____	Imposta la posizione verticale di DVI1 OUT	
	RESET			Ripristina le impostazioni di scalatura
SCREEN	H SIZE	61-_____	Imposta la larghezza di DVI2+VGA OUT	
	V SIZE	61-_____	Imposta l'altezza di DVI2+VGA OUT	
	H POS	0-_____	Imposta la posizione orizzontale di DVI2+VGA OUT	
	V POS	0-_____	Imposta la posizione verticale di DVI2+VGA OUT	
	MODE	FULL SIZE		DVI2+VGA OUT trasmette video non scalato
		SCREEN SIZE		DVI2+VGA OUT trasmette video scalato
RESET			Ripristina le impostazioni dello schermo	
RATIO	4:3		Imposta il formato 4/3	
	16:9		Imposta il formato 16/9	
	NORMAL		Non modifica il formato	
PICTURE	BRIGHTNESS	0-100	Regola la luminosità dell'uscita	
	CONTRAST	0-100	Regola il contrasto dell'uscita	
	SATURATION	0-100	Regola la saturazione dell'uscita	
	SHARPNESS	0-100	Regola la nitidezza dell'uscita	
	COLOR RED	0-100	Regola il livello generale del Rosso	
	COLOR GRN	0-100	Regola il livello generale del Verde	
	COLOR BLUE	0-100	Regola il livello generale del Blu	
RESET			Ripristina tutte le impostazioni dell'immagine	
PIP	PIP	OFF	Attiva o disattiva il PIP	
		ON		
	LAYOUT	PIP L+T	Il PIP compare in alto a sinistra dell'uscita	
		PBP L+R	L'uscita viene divisa verticalmente (sinistra e destra)	
		PBP T+B	L'uscita viene divisa orizzontalmente (alto e basso)	

LIVELLI DI PROGRAMMAZIONE		DESCRIZIONE		
OUTPUT (cont.)		Livello principale OUTPUT (cont.)		
PIP (cont.)	SWAP IMAGE	OFF ON		
	ALPHA	0-16		
	SELECT	IMAGE A	Passa dall'immagine A all'immagine B	
		IMAGE B	Imposta la trasparenza del PIP	
TEXT OVERLAY	TEXT OVERLAY	OFF ON		
	PRESET	User	Attiva o disattiva la sovrapposizione	
		WhOnBk1	Colori personalizzati	
		WhOnBk2	Bianco su Nero 1	
		BkOnWh1	Bianco su Nero 2	
		BkOnWh2	Nero su Bianco 1	
		GrnOnBk1	Nero su Bianco 2	
		GrnOnBk2	Verde su Nero 1	
		GrnOnWh1	Verde su Nero 2	
		GrnOnWh2	Verde su Bianco 1	
		RedOnBk1	Verde su Bianco 2	
		RedOnBk2	Rosso su Nero 1	
		RedOnWh1	Rosso su Nero 2	
	RedOnWh2	Rosso su Bianco 1		
	BLEND MODE	MODE1	Rosso su Bianco 2	
		MODE2	La sovrapposizione è piena, lo sfondo è trasparente	
	BLEND LEVEL	0-15	La sovrapposizione è trasparente, senza sfondo	
	ABOVE/BELOW	BELOW	Imposta la trasparenza della sovrapposizione	
		ABOVE	Modalità "Below" (Sotto)	
	AND/OR	OR	Modalità "Above" (Sopra)	
AND		"Or" modalità (sinistra)		
RED	0-248	"And" modalità (destra)		
GREEN	0-252	Imposta il livello di Rosso della sovrapposizione		
BLUE	0-248	Imposta il livello di Verde della sovrapposizione		
DISPLAY MODE	MODE	BLACK SCREEN	Imposta il livello di Blu della sovrapposizione	
		LIVE IMAGE	Disattiva l'uscita	
		FREEZE IMAGE	Uscita video	
		FLAT IMAGE	Blocca l'uscita su un singolo frame	
		TEST PATTERN	Visualizza un colore singolo	
	TEST PATTERN	TEST PATTERN	1-66	Visualizza un motivo di test
		AUTO SWITCH	OFF	Seleziona tra 66 motivi di test possibili
			1-10s	I motivi di test non cambiano automaticamente
		RED	0-255	Imposta l'intervallo tra i motivi di test
		GREEN	0-255	Imposta il colore del motivo di test 65
		BLUE	0-255	
		HOR STEP	0-64	
		VER STEP	0-64	Imposta il numero di passaggi nel motivo di test 66
		COLOR	RED	Imposta il colore del motivo di test 66
			GREEN	
	BLUE			
	WHITE			
	FLAT COLOR	RED	0-255	Imposta il colore singolo da visualizzare in modalità Flat Image (immagine piatta)
		GREEN	0-255	
		BLUE	0-255	

LIVELLI DI PROGRAMMAZIONE		DESCRIZIONE
OUTPUT (cont.)		Livello principale OUTPUT (cont.)
OUTPUT (cont.)	GAMMA	LINEAR
		sRGB
		-1.2
		1.2
		-1.4
		1.4
		-1.6
	1.6	
		Imposta la gamma di uscita
TRANSITION		Livello principale TRANSITION
TRANSITION	MODE	CUT
		FADE
		POP L+T
		PUSH L+T
		POP R+T
		PUSH R+T
		POP L+B
		PUSH L+B
		POP R+B
		PUSH R+B
		POP CENT
		PUSH CENT
		POP LEFT
		PUSH LEFT
		POP RIGHT
		PUSH RIGHT
		POP TOP
		PUSH TOP
	POP BOTTOM	
	PUSH BOTTOM	
FADE TIME	0.0–1.0s	
ALPHA	0–16	
DEINTERLACE	ON	
	OFF	
		Nessuna transizione
		Video eseguono la dissolvenza durante la transizione
		Video 2 entra dalla parte superiore sinistra
		Video 1 esce dalla parte superiore sinistra
		Video 2 entra dalla parte superiore destra
		Video 1 esce dalla parte superiore destra
		Video 2 entra dalla parte inferiore sinistra
		Video 1 esce dalla parte superiore destra
		Video 2 entra dalla parte inferiore destra
		Video 1 esce dalla parte inferiore destra
		Video 2 si espande dal centro
		Video 1 si chiude verso il centro
		Video 2 entra da sinistra
		Video 1 esce a sinistra
		Video 2 entra da destra
		Video 1 esce a destra
		Video 2 entra dall'alto
		Video 1 esce verso l'alto
		Video 2 entra dal basso
		Video 1 esce verso il basso
		Imposta il tempo di transizione
		Imposta la trasparenza
		Attiva o disattiva il de-interlacciamento
SPLIT		Livello principale SPLIT
SPLIT	SPLIT	OFF
		ON
	H TOTAL	0–4096
	V TOTAL	0–4096
	H POS	0–_ _ _ _
	V POS	0–_ _ _ _
	H SIZE	0–_ _ _ _
V SIZE	0–_ _ _ _	
		Attiva/disattiva la divisione
		Imposta la dimensione del gruppo pannello completo
		Imposta la posizione dell'uscita del driver sul gruppo pannello
		Imposta la dimensione dell'uscita del driver sul gruppo pannello
SAVE SETUP		Livello principale SAVE SETUP
SAVE TO	SAVE 1–10	
LOAD FROM	SAVE 1–10	
DELAY CALL	0–255s	
		Salva le impostazioni correnti
		Carica le impostazioni salvate desiderate
		Imposta il ritardo di uscita per driver multipli
SYSTEM		Livello principale SYSTEM
SYSTEM	SYSTEM INFO	MCU VER: _ _ _ _
		VIDEO VER: _ _ _ _
		SN: _ _ _ _
TECH SUPPORT	SALES HOTLINE: (800) 762-1084	
	AFTER-SALE SERVICE:	
		Visualizza le impostazioni del sistema
		Visualizza i numeri telefonici del servizio assistenza

LIVELLI DI PROGRAMMAZIONE		DESCRIZIONE		
SYSTEM (cont.)		Livello principale SYSTEM (cont.)		
DATE&TIME	DATE: YYYY-MM-DD		Visualizza la data corrente	
	TIME: HH:MM:SS		Visualizza l'ora corrente	
	WORK TIME: __d:__h:__m		Visualizza il tempo di funzionamento dell'unità	
	TOTAL TIME: __d:__h:__m		Visualizza il tempo di funzionamento totale dell'unità	
	BOOT TIMES: __		Visualizza il numero di attivazioni dell'unità	
	TIMING CONTROL	ON		Attiva/disattiva il controllo dell'orologio
		OFF		
	CHANGE DATE	YYYY-MM-DD		Imposta la data
CHANGE TIME	HH:MM:SS		Imposta l'ora	
LOCK FRONT PANEL	YES <SEL>, NO <MENU>		Imposta il pannello frontale (tenere premuto <MENU> per 3 secondi per sbloccare)	
LICENSE SETUP	ENTER PASSWORD 000000-999999		Nessuna funzione	
CAN USE TIME	NO LIMIT		Nessuna funzione	
HOT BACKUP	HOT BACKUP	OFF		Attiva/disattiva il backup a caldo
		ON		
	BACKUP_1-5	CV1		Individua i segnali di backup in ordine di priorità
		HDMI		
		YPbPr		
		VGA		
		SDI		
USB UPGRADE	YES <SEL>, NO <MENU>		Abilita l'aggiornamento del firmware tramite USB	
EDID FOLLOW	OFF		Attiva/disattiva l'EDID successivo	
	ON			
LANGUAGE? ?	ENG		Imposta la lingua Inglese	
	? ?		Imposta la lingua Cinese	
FACTORY RESET	FACTORY RESET	YES <SEL>, NO <MENU>		Ripristina le impostazioni originarie dell'unità
	SAVE IP RESET	YES <SEL>, NO <MENU>		Azzerata tutte le impostazioni salvate

Over deze handleiding

De Vivid Drive 23N Beknopte Handleiding (BH) bevat basisinformatie over het product, zoals montage en menu-opties. Download de gebruikershandleiding op www.chauvetdj.com voor meer informatie.

Disclaimer

De informatie en specificaties in deze BH kunnen zonder voorafgaande kennisgeving worden gewijzigd.

Veiligheidsinstructies

Deze veiligheidsinstructies bevatten belangrijke informatie over de installatie, het gebruik en het onderhoud.



- Sluit dit product **UITSLUITEND** op een geaard en beveiligd stroomcircuit.
- Haal voor het schoonmaakt altijd de stekker van het product uit het stopcontact.
- Zorg ervoor dat het stroomsnoer niet knikt of beschadigd.
- Koppel dit product nooit los van het stopcontact door aan het snoer te trekken.
- **GEEN** brandbare materialen in de buurt van de unit tijdens gebruik.
- **RAAK** het product **NIET AAN** wanneer het in werking omdat het dan heet zijn.

- De spanning van het stopcontact waarop u dit product aansluit moet binnen het vermelde bereik op de sticker of achterkant van het product zijn.
- Het product is alleen voor gebruik binnenshuis! (IP20) Om risico op brand of elektrische schokken te voorkomen, mag dit product niet aan regen of vocht worden blootgesteld.
- Monteer dit product altijd op een plek met voldoende ventilatie, minstens 20 inch (50 cm) van de aangrenzende oppervlakken.
- Zorg ervoor dat er geen ventilatie-openingen van de behuizing van het product worden geblokkeerd.
- Sluit dit product nooit aan op een dimmer of een regelweerstand.
- Gebruik **UITSLUITEND** de ophang-/montagebeugel of de hendels om dit product te dragen.
- De maximale omgevingstemperatuur bedraagt 40 °C. Gebruik dit product niet bij hogere temperaturen.
- Stop in het geval van ernstige operationele problemen onmiddellijk met het gebruik.
- Open het product **NIET**. Het bevat geen te onderhouden onderdelen.
- Om onnodige slijtage te elimineren en zijn levensduur te verlengen, gedurende perioden wanneer het product niet wordt gebruikt, moet u het product afsluiten door een aardlekschakelaar om te zetten of door het te ontkoppelen.



Contact

Van buiten de VS, Verenigd Koninkrijk, Ierland, Benelux, Frankrijk, Duitsland of Mexico kunt u contact opnemen met de distributeur of om ondersteuning vragen dan wel het product retourneren. Ga naar www.chauvetdj.com voor contactinformatie.

Wat is inbegrepen

- Vivid Drive 23N
- Stroomsnoer
- Rekbevestigingsadapter
- DVI-naar-DVI-jumper
- USB-kabel
- Garantiekaart
- Beknopte handleiding

Om te beginnen

Pak uw Vivid Drive 23N uit en zorg ervoor dat u alle onderdelen in goede staat hebt ontvangen. Als de doos of inhoud beschadigd lijkt, stel dan de vervoerder onmiddellijk op de hoogte, niet Chauvet.

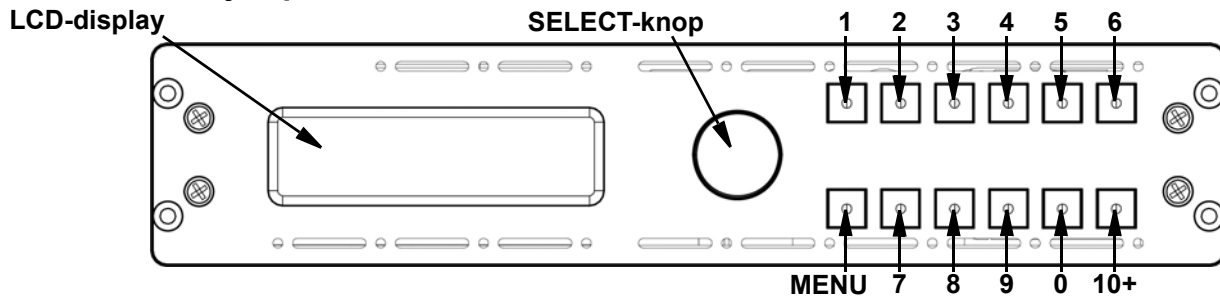
AC-stroom

Dit product heeft een voeding met automatisch bereik die werkt met een ingangsspanning van 100–240 VAC, 50/60 Hz.



Om onnodige slijtage te elimineren en zijn levensduur te verlengen, gedurende perioden wanneer het product niet wordt gebruikt, moet u het product afsluiten door een aardlekschakelaar om te zetten of door het te ontkoppelen.

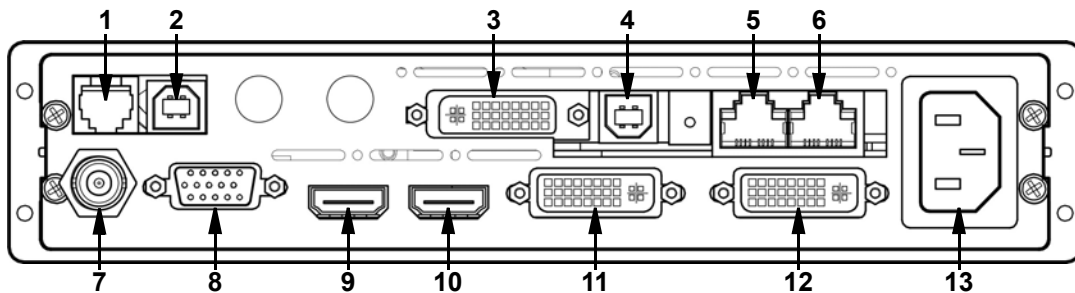
Overzicht voorzijde product



Beschrijving bedieningspaneel

KNOP/TOETS	FUNCTIE
SELECT-knop	Draaien om omhoog of omlaag door de menulijst te navigeren en een geselecteerde numerieke waarde te verhogen of te verlagen. Drukken om het huidige getoonde menu in te drukken of de huidige geselecteerde waarde in de geselecteerde functie te plaatsen.
<CV/1>	Selecteert CVBS-ingangsbron, of vult het cijfer 1 in bij het bewerken van een cijferwaarde
<HDMI/2>	Selecteert HDMI-ingangsbron, of vult het cijfer 2 in bij het bewerken van een cijferwaarde
<SDI/3>	Cult het cijfer 3 in bij het bewerken van een cijferwaarde
<VGA/4>	Selecteert VGA-ingangsbron, of vult het cijfer 4 in bij het bewerken van een cijferwaarde
<YPbPr/5>	Selecteert YPbPr-ingangsbron, of vult het cijfer 5 in bij het bewerken van een cijferwaarde
<BLACK/6>	Verduistert de video-uitgang, of vult het cijfer 6 in bij het bewerken van een cijferwaarde
<MENU>	Sluit het huidige menu of functie af. 3 seconden ingedrukt houden om het bedieningspaneel te vergrendelen of ontgrendelen.
<SCALE/7>	Navigeert direct naar het menu Schaal, of vult het cijfer 7 in bij het bewerken van een cijferwaarde
<SPLIT/8>	Navigeert direct naar het menu Splitsen, of vult het cijfer 8 in bij het bewerken van een cijferwaarde
<COM/9>	Cult het cijfer 9 in bij het bewerken van een cijferwaarde
<SAVE/0>	Navigeert direct naar het menu Opslaan, of vult het cijfer 0 in bij het bewerken van een cijferwaarde
<LOAD/10+>	Navigeert direct naar het menu Laden

Overzicht achterzijde product



Beschrijving achterpaneel

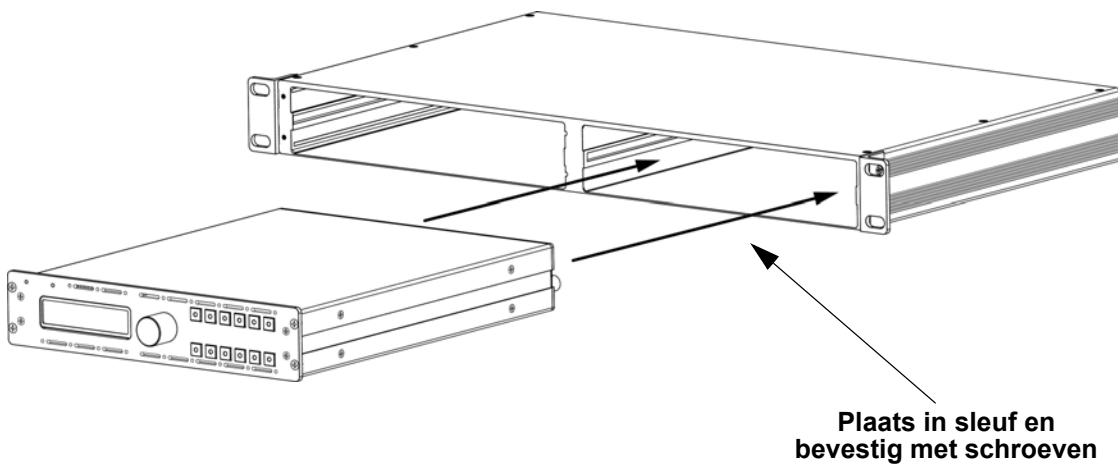
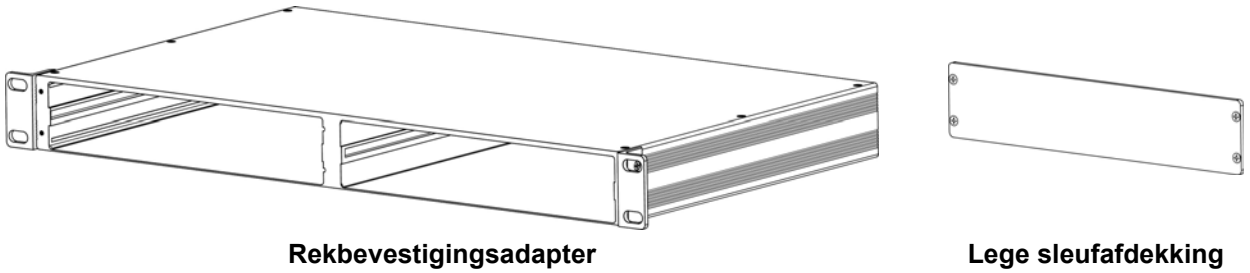
#	POORT	FUNCTIE
1	RS232	RJ12-poort voor verbinding met afstandsbedieningssysteem.
2	USB B 1	USB B-poort voor firmware-updates
3	DVI In	DVI-ingangstekker voor videosignaal van DVI1 OUT (11) of een voorgeschaalde videobron
4	USB B 2	USB B-poort voor verbinding met NovaLCT Mars
5	Ethernet Out 2	Ethernet-poorten voor het verzenden van videosignalen naar videopanelen (6 is poort 1, 5 is poort 2)
6	Ethernet Out 1	
7	CVBS IN	BNC-stekker voor CVBS-invoer
8	VGA/YPbPr IN	DE-15-stekker voor video-invoer van een VGA of YPbPr-bron
9	HDMI IN	HDMI-ingangspoort naar scaler. Voor het gebruik van de scaler moet deze poort gebruikt worden.
10	HDMI LOOP	HDMI-uitgangspoort voor het verzenden van niet-geschaald HDMI-videosignaal naar andere apparaten
11	DVI1 OUT	DVI-uitgangstekker voor het verzenden van geschaald videosignaal naar de DVI In-poort (3). Voor het gebruik van de scaler moet deze poort verbonden worden met DVI In (3).
12	DVI2+VGA OUT	DVI-uitgangstekker voor het verzenden van geschaald videosignaal naar andere apparaten
13	Power In	Stroomingangscontact voor een spanningsbereik van 100 tot 240 VAC, 50/60 Hz

Montage

De Vivid Drive 23N wordt geleverd met een rekbevestigingsadapter voor het monteren van 1 of 2 Vivid Drive 23N-producten in een standaard 19-inch rek.

Lees alvorens dit product te monteren alle [Veiligheidsinstructies](#).

Montagediagram



Menukaart

PROGRAMMEERNIVEAUS			BESCHRIJVING
INPUT			INPUT belangrijkste niveau
INPUT DETAIL	-----		Toont de momenteel geselecteerde invoer
ZOOM ADJUST	V UP	0-768	Rekt de video naar boven
	V DOWN	0-768	Rekt de video naar beneden
	V UP/DOWN	0-384	Rekt de video omhoog en omlaag
	H LEFT	0-1024	Rekt de video naar links
	H RIGHT	0-1024	Rekt de video naar rechts
	H LEFT/RIGHT	0-512	Rekt de video naar links en rechts
	CENTER	0-384	Rekt de video in alle richtingen
RESET			Herstelt alle zoominstellingen
VGA ADJUST	H POS	-100-100	Past de horizontale positie van de VGA-video aan
	V POS	-100-100	Past de verticale positie van de VGA-video aan
	CLOCK	-100-100	Past de VGA-ingangsignaalklok aan
	PHASE	-100-100	Past de VGA-ingangsignaalfase aan
	AUTO ADJUST		
ADC ADJUST	ADC AUTO ADJUST	YES <SEL>, NO <MENU>	Past automatisch de helderheid aan
	ADC RESET ALL	YES <SEL>, NO <MENU>	Herstelt de ADC-instelling
SDI ADJUST	H POS	27-227	Gereserveerd voor toekomstig gebruik
	V POS	27-227	
	ANTI-ALIAS	STEP_126	
		STEP_7	
RESET			
OUTPUT			OUTPUT belangrijkste niveau
OUTPUT DETAIL	_ _ _ _ x _ _ _ x _ _		Toont de op dit moment ingesteld uitgangresolutie en -frequentie, DVI-modus, bitdiepte, gegevensbereik, DE (VGA of YPbPr)-signaalstatus, positie en grootte, en de horizontale en verticale polariteit.
	DVI MODE: _ _ _		
	BIT DEPTH: _ _ BIT		
	DATA RANGE: _ _ _ _ _		
	DE: _ _ _		
	DE H POS: _ _ _ _ _		
	DE V POS: _ _ _ _ _		
	DE H SIZE: _ _ _ _ _		
	DE V SIZE: _ _ _ _ _		
	H POLARITY: _ _ _		
V POLARITY: _ _ _			
OUTPUT FORMAT	STANDARD	800x600x60	Selecteert de uitgangresolutie en de frequentie uit de vooraf ingestelde opties
		1024x768x60	
		1024x768x75	
		1280x720x60	
		1280x720x50	
		1280x768x60	
		1280x800x60	
		1280x1024x60	
		1360x768x60	
		1366x768x60	
		1400x1050x60	
		1440x800x60	
		1440x900x60	
		1600x1200x60	
1680x1050x60			
1920x1080x60			

PROGRAMMEERNIVEAUS			BESCHRIJVING		
OUTPUT (vervolg)			OUTPUT belangrijkste niveau (vervolg)		
OUTPUT FORMAT (vervolg)	STANDARD (vervolg)	1920x1080x50	Selecteert de uitgangsfrequentie en de frequentie uit de vooraf ingestelde opties		
		1920x1120x60			
		1920x1200x60			
		2048x1152x60			
		2560x812x60			
		1560x816x60			
	CUSTOM	___x___x__	Stelt aangepaste resolutie en frequentie in		
OUTPUT ADJUST	DVI MODE	DVI		Stelt het protocol in op DVI (standaard)	
		HDMI		Stelt het protocol in op HDMI	
	BIT DEPTH	8 BIT (DVI) / 8-12 BIT (HDMI)		Stelt de bitdiepte in de HDMI-modus in	
	DATA RANGE	IMAGE		RGB-kleurruimte	
		VIDEO		YUV-kleurruimte	
	DE ADJUST	DE	DE	OFF ON	Zet het aanpassen van het signaal van de DE-15-stekker aan of uit
			H POS	0-_____	Past de horizontale positie aan
		V POS	0-_____	Past de verticale positie aan	
		H SIZE	61-_____	Past de horizontale grootte (breedte) aan	
		V SIZE	61-_____	Past de horizontale grootte (hoogte) aan	
		H POLARITY	POS NEG		Stelt de fase van de horizontale scan in
			V POLARITY	POS NEG	
		RESET			Herstelt alle instellingen van de uitgang
	SCALE	H SIZE	61-_____		Stelt de breedte in van DVI1 OUT
V SIZE		61-_____		Stelt de hoogte in van DVI1 OUT	
H POS		-100-_____		Stelt de horizontale positie in van DVI1 OUT	
V POS		-16-_____		Stelt de verticale positie in van DVI1 OUT	
RESET			Herstelt de schaalinstellingen		
SCREEN	H SIZE	61-_____		Stelt de breedte in van DVI2+VGA OUT	
	V SIZE	61-_____		Stelt de hoogte in van DVI2+VGA OUT	
	H POS	0-_____		Stelt de horizontale positie in van DVI2+VGA OUT	
	V POS	0-_____		Stelt de verticale positie in van DVI2+VGA OUT	
	MODE	FULL SIZE		DVI2+VGA OUT voert niet-geschaalde video uit	
		SCREEN SIZE		DVI2+VGA OUT voert geschaalde video uit	
RESET			Herstelt de scherminstellingen		
RATIO	4:3		Stelt de beeldverhouding in op 4:3		
	16:9		Stelt de beeldverhouding in op 16:9		
	NORMAL		Verandert de beeldverhouding niet		
PICTURE	BRIGHTNESS	0-100		Past de helderheid van de uitvoer aan	
	CONTRAST	0-100		Past het contrast van de uitvoer aan	
	SATURATION	0-100		Past de verzadiging van de uitvoer aan	
	SHARPNESS	0-100		Past de scherpte van de uitvoer aan	
	COLOR RED	0-100		Past het algemene roodheidsniveau aan	
	COLOR GRN	0-100		Past het algemene groenheidsniveau aan	
	COLOR BLUE	0-100		Past het algemene blauwheidsniveau aan	
	RESET			Herstelt alle beeldinstellingen	
PIP	PIP	OFF ON		Schakelt PIP in of uit	
		LAYOUT	PIP L+T		PIP verschijnt linksboven in de uitvoer
	PBP L+R		Uitvoer is verticaal gesplitst (links en rechts)		
	PBP T+B		Uitvoer is horizontaal gesplitst (boven en onder)		

PROGRAMMEERNIVEAUS			BESCHRIJVING	
OUTPUT (vervolg)			OUTPUT belangrijkste niveau (vervolg)	
PIP (vervolg)	SWAP IMAGE	OFF	Wisselt beeld A met beeld B	
		ON		
	ALPHA	0–16	Stelt de transparantie van PIP in	
	SELECT	IMAGE A	Schakelt de schaling van beeld A in	
		IMAGE B	Schakelt de schaling van beeld B in	
TEXT OVERLAY	TEXT OVERLAY	OFF	Schakelt overlay in of uit	
		ON		
	PRESET	User	Aangepaste kleur	
		WhOnBk1	Wit op zwart 1	
		WhOnBk2	Wit op zwart 2	
		BkOnWh1	Zwart op wit 1	
		BkOnWh2	Zwart op wit 2	
		GrnOnBk1	Groen op zwart 1	
		GrnOnBk2	Groen op zwart 2	
		GrnOnWh1	Groen op wit 1	
		GrnOnWh2	Groen op wit 2	
		RedOnBk1	Rood op zwart 1	
		RedOnBk2	Rood op zwart 2	
		RedOnWh1	Rood op wit 1	
	RedOnWh2	Rood op wit 2		
	BLEND MODE	MODE1	Overlay heeft een vullende kleur, achtergrond is transparant	
		MODE2	Overlay is transparant, geen achtergrond	
	BLEND LEVEL	0–15	Stelt de transparantie van de overlay in	
	ABOVE/BELOW	BELOW	“Below”-modus (Onder)	
		ABOVE	“Above”-modus (Boven)	
AND/OR	OR	“Or”-modus (links)		
	AND	“And”-modus (rechts)		
RED	0–248	Stelt aangepast roodniveau van overlay in		
GREEN	0–252	Stelt aangepast groenniveau van overlay in		
BLUE	0–248	Stelt aangepast blauwniveau van overlay in		
DISPLAY MODE	MODE	BLACK SCREEN	Verduistert de uitvoer	
		LIVE IMAGE	Video-uitgang	
		FREEZE IMAGE	Bevriest de uitvoer op een enkel frame	
		FLAT IMAGE	Toont één kleur	
		TEST PATTERN	Toont een testpatroon	
	TEST PATTERN	TEST PATTERN	1–66	Selecteert uit 66 beschikbare testpatronen
		AUTO SWITCH	OFF	Testpatronen wisselen niet automatisch
			1–10s	Stelt het interval tussen de testpatronen in
		RED	0–255	Stelt de kleur in van testpatroon 65
		GREEN	0–255	
		BLUE	0–255	
		HOR STEP	0–64	Stelt het aantal stappen in van testpatroon 66
		VER STEP	0–64	
		COLOR	RED	Stelt de kleur in van testpatroon 66
			GREEN	
	BLUE			
	WHITE			
	FLAT COLOR	RED	0–255	Stelt de enkele kleur in die in de modus Plat beeld wordt weergegeven
		GREEN	0–255	
		BLUE	0–255	

PROGRAMMEERNIVEAUS		BESCHRIJVING
OUTPUT (vervolg)		OUTPUT belangrijkste niveau (vervolg)
OUTPUT (vervolg)	GAMMA	LINEAR
		sRGB
		-1.2
		1.2
		-1.4
		1.4
		-1.6
		1.6
TRANSITION		TRANSITION belangrijkste niveau
TRANSITION	MODE	CUT
		Geen overgang
		FADE
		Videobronnen vervagen bij overgang
		POP L+T
		Videobron 2 komt binnen van linksboven
		PUSH L+T
		Videobron 1 gaat linksboven weg
		POP R+T
		Videobron 2 komt binnen van rechtsboven
		PUSH R+T
		Videobron 1 gaat rechtsboven weg
		POP L+B
		Videobron 2 komt binnen van linksonder
		PUSH L+B
		Videobron 1 gaat linksonder weg
		POP R+B
		Videobron 2 komt binnen van rechtsonder
		PUSH R+B
		Videobron 1 gaat rechtsonder weg
		POP CENT
Videobron 2 breidt uit vanaf het midden		
PUSH CENT		
Videobron 1 krimpt naar het midden		
POP LEFT		
Videobron 2 komt binnen vanaf links		
PUSH LEFT		
Videobron 1 gaat links weg		
POP RIGHT		
Videobron 2 komt binnen vanaf rechts		
PUSH RIGHT		
Videobron 1 gaat rechts weg		
POP TOP		
Videobron 2 komt binnen vanaf de bovenzijde		
PUSH TOP		
Videobron 1 gaat naar de bovenzijde weg		
POP BOTTOM		
Videobron 2 komt binnen vanaf de onderzijde		
PUSH BOTTOM		
Videobron 1 gaat naar de onderzijde weg		
FADE TIME	0.0–1.0s	Stelt de tijd die de overgang in beslag neemt
ALPHA	0–16	Stelt de transparantie in
DEINTERLACE	ON	Schakelt deinterlacing in of uit
	OFF	
SPLIT		SPLIT belangrijkste niveau
SPLIT	SPLIT	OFF
		Schakelt splitsen in of uit
	H TOTAL	ON
		Stelt de grootte in van het totale paneel
	V TOTAL	0–4096
	H POS	0–_ _ _ _
	V POS	0–_ _ _ _
H SIZE	0–_ _ _ _	
V SIZE	0–_ _ _ _	
SAVE SETUP		SAVE SETUP belangrijkste niveau
SAVE TO	SAVE 1–10	Slaat de huidige instellingen op
LOAD FROM	SAVE 1–10	Laadt de gewenste opgeslagen instellingen
DELAY CALL	0–255s	Stelt de uitgangsvertraging in voor meerdere drivers
SYSTEM		SYSTEM belangrijkste niveau
SYSTEM	SYSTEM INFO	MCU VER: _ _ _ _
		VIDEO VER: _ _ _ _
		SN: _ _ _ _
TECH SUPPORT	SALES HOTLINE: (800) 762-1084	Toont de hulptefoonnummers
	AFTER-SALE SERVICE:	

PROGRAMMEERNIVEAUS		BESCHRIJVING		
SYSTEM (vervolg)		SYSTEM belangrijkste niveau (vervolg)		
SYSTEM (vervolg)	DATE&TIME	DATE: YYYY-MM-DD	Toont de huidige datum	
		TIME: HH:MM:SS	Toont de huidige tijd	
		WORK TIME: __d:__h:__m	Toont hoe lang het product al loopt	
		TOTAL TIME: __d:__h:__m	Toont de totaal tijd dat het product loopt	
		BOOT TIMES: __	Toont het aantal malen dat het product is ingeschakeld	
		TIMING CONTROL	ON OFF	Schakelt de klokregelaar in/uit
		CHANGE DATE	YYYY-MM-DD	Stelt de datum in
		CHANGE TIME	HH:MM:SS	Stelt de tijd in
	LOCK FRONT PANEL	YES <SEL>, NO <MENU>	Vergrendelt het voorpaneel (houd <MENU> 3 seconden ingedrukt om te ontgrendelen)	
	LICENSE SETUP	ENTER PASSWORD 000000-999999	Geen functie	
CAN USE TIME	NO LIMIT	Geen functie		
HOT BACKUP	HOT BACKUP	OFF	Schakelt hot backup in/uit	
		ON		
	BACKUP_1-5	CV1	Wijst backup-signalen toe op volgorde van prioriteit	
		HDMI		
		YPbPr		
		VGA		
SDI				
USB UPGRADE	YES <SEL>, NO <MENU>	Maakt een firmware-update via USB mogelijk		
EDID FOLLOW	OFF	EDID-volgen inschakelen/uitschakelen		
	ON			
LANGUAGE? ?	ENG	Stelt de taal in naar Engels		
	? ?	Stelt de taal in naar Chinees		
FACTORY RESET	FACTORY RESET	YES <SEL>, NO <MENU>	Herstelt het product naar de fabrieksinstellingen	
	SAVE IP RESET	YES <SEL>, NO <MENU>	Wist alle opgeslagen instellingen	

Contact Us

General Information	Technical Support
World Headquarters	
Address: 5200 NW 108th Ave. Sunrise, FL 33351 Voice: (954) 577-4455 Fax: (954) 929-5560 Toll Free: (800) 762-1084	Voice: (844) 393-7575 Fax: (954) 756-8015 Email: chauvetcs@chauvetlighting.com Website: www.chauvetdj.com
UK	
Address: Unit 1C Brookhill Road Industrial Estate Pinxton, Nottingham, UK NG16 6NT Voice: +44 (0) 1773 511115 Fax: +44 (0) 1773 511110	Email: UKtech@chauvetlighting.eu Website: www.chauvetdj.eu
Benelux	
Address: Stokstraat 18 9770 Kruishoutem Belgium Voice: +32 9 388 93 97	Email: BNLtech@chauvetlighting.eu Website: www.chauvetdj.eu
France	
Address: 3, Rue Ampère 91380 Chilly-Mazarin France Voice: +33 1 78 85 33 59	Email: FRtech@chauvetlighting.fr Website: www.chauvetdj.eu
Germany	
Address: Bruno-Bürgel-Str. 11 28759 Bremen Germany Voice: +49 421 62 60 20	Email: DEtech@chauvetlighting.de Website: www.chauvetdj.eu
Mexico	
Address: Av. de las Partidas 34 - 3B (Entrance by Calle 2) Zona Industrial Lerma Lerma, Edo. de México, CP 52000 Voice: +52 (728) 690-2010	Email: servicio@chauvet.com.mx Website: www.chauvetdj.mx

Outside the U.S., United Kingdom, Ireland, Mexico or Benelux, contact the dealer of record. Follow the instructions to request support or to return a product. Visit our website for contact details.

Vivid Drive 23N QRG Rev. 2 ML6
© Copyright 2018 Chauvet
All rights reserved
Printed in the P.R.C.

