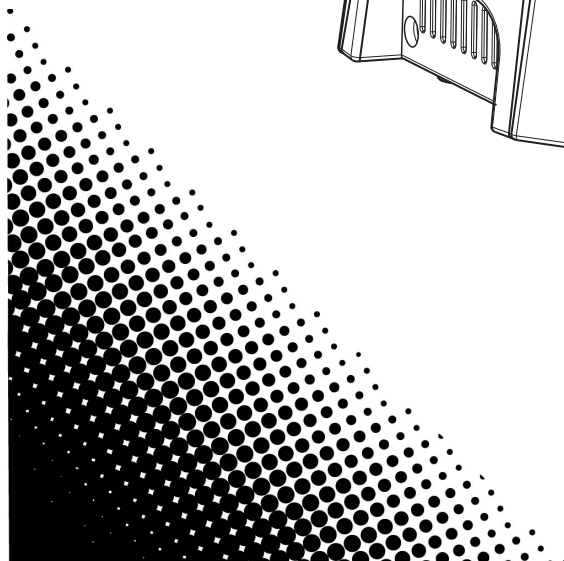
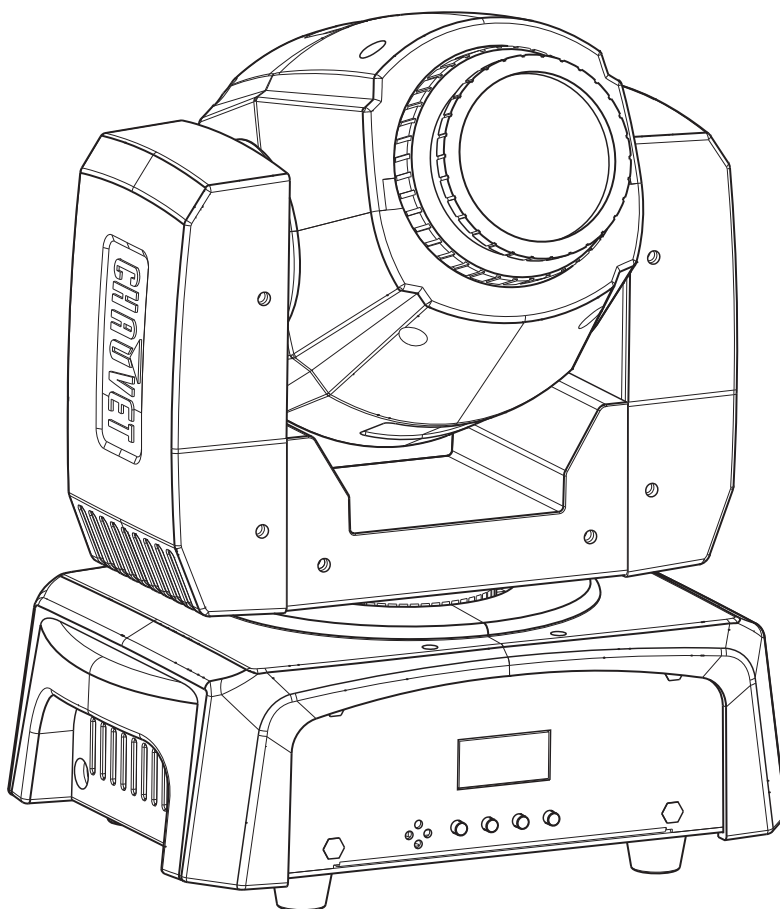


# INTIMIDATOR SPOT 110

## User Manual



## TABLE OF CONTENTS

|  |    |
|--|----|
| <b>1. Before You Begin</b> .....         | 1  |
| What Is Included .....                   | 1  |
| Unpacking Instructions.....              | 1  |
| Claims .....                             | 1  |
| Text Conventions .....                   | 1  |
| Symbols .....                            | 1  |
| Disclaimer .....                         | 1  |
| Intellectual Property .....              | 1  |
| Safety Notes.....                        | 2  |
| <b>2. Introduction</b> .....             | 3  |
| Product Overview.....                    | 3  |
| Product Dimensions .....                 | 3  |
| <b>3. Setup</b> .....                    | 4  |
| AC Power .....                           | 4  |
| Fuse Replacement.....                    | 4  |
| Mounting .....                           | 5  |
| Orientation.....                         | 5  |
| Rigging .....                            | 5  |
| <b>4. Operation</b> .....                | 6  |
| Control Panel Operation.....             | 6  |
| Menu Map .....                           | 6  |
| Configuration (DMX) .....                | 6  |
| Starting Address.....                    | 6  |
| DMX Personalities.....                   | 7  |
| DMX Channel Assignments and Values ..... | 7  |
| Gobos.....                               | 7  |
| 12Ch.....                                | 7  |
| 6Ch.....                                 | 9  |
| Configuration (Standalone) .....         | 9  |
| Automatic Programs.....                  | 9  |
| Sound-Active Mode.....                   | 9  |
| Sound Sensitivity.....                   | 9  |
| Manual Mode.....                         | 10 |
| Configuration (Settings) .....           | 10 |
| Pan Reverse.....                         | 10 |
| Tilt Reverse .....                       | 10 |
| Firmware Version .....                   | 10 |
| Factory Reset.....                       | 10 |
| RC-6 Infrared Remote Control .....       | 11 |
| IRC-6 Operation.....                     | 11 |
| Master/Slave Mode .....                  | 12 |
| <b>5. Maintenance</b> .....              | 13 |
| Product Maintenance .....                | 13 |
| <b>6. Technical Specifications</b> ..... | 14 |
| <b>7. Returns</b> .....                  | 15 |
| <b>8. Contact Us</b> .....               | 16 |

# 1. Before You Begin

## What Is Included

- Intimidator Spot 110
- Power Cord
- Hanging Bracket
- Quick Reference Guide

## Unpacking Instructions

Carefully unpack the product immediately and check the container to make sure all the parts are in the package and are in good condition.

### Claims





If the box or the contents (the product and included accessories) appear damaged from shipping, or show signs of mishandling, notify the carrier immediately, not Chauvet. Failure to report damage to the carrier immediately may invalidate your claim. In addition, keep the box and contents for inspection.

For other issues, such as missing components or parts, damage not related to shipping, or concealed damage, file a claim with Chauvet within 7 days of delivery.

## Text Conventions

| Convention           | Meaning  |
|----------------------|--|
| <b>1–512</b>         | A range of values                                  |
| <b>50/60</b>         | A set of values of which only one can be chosen    |
| <b>Settings</b>      | A menu option not to be modified                   |
| <b>&lt;ENTER&gt;</b> | A key to be pressed on the product's control panel |
| <b>ON</b>            | A value to be entered or selected                  |

## Symbols

| Symbol  | Meaning   |
|---|---|
|  | Electrical warning. Not following these instructions may cause electrical damage to the product, accessories, or the user.  |
|  | Critical installation, configuration, or operation information. Not following these instructions may make the product not work, cause damage to the product, or cause harm to the operator. |
|  | Important installation or configuration information. The product may not function correctly if this information is not used.  |
|  | Useful information.   |

## Disclaimer

Chauvet believes that the information contained in this manual is accurate in all respects. However, Chauvet assumes no responsibility and specifically disclaims any and all liability to any party for any loss, damage or disruption caused by any errors or omissions in this document, whether such errors or omissions result from negligence, accident, or any other cause. Chauvet reserves the right to revise the content of this document without any obligation to notify any person or company of such revision; however, Chauvet has no obligation to make, and does not commit to make, any such revisions. Download the latest version from [www.chauvetdj.com](http://www.chauvetdj.com).

## Intellectual Property

The works of authorship contained in this manual, including, but not limited to, all designs, texts, and images are owned by Chauvet.

© Copyright 2019 Chauvet & Sons, LLC. All rights reserved.

Electronically published by Chauvet in the United States of America.

CHAUVET, the Chauvet logo, and Intimidator Spot 110 are registered trademarks or trademarks of Chauvet & Sons LLC (d/b/a Chauvet and Chauvet Lighting) in the United States and other countries. Other company and product names and logos referred to herein may be trademarks of their respective companies.

### Safety Notes



- This product is not intended for permanent installation.
- Always connect the product to a grounded circuit to avoid the risk of electrocution.
- Always disconnect the product from the power source before cleaning or replacing the fuse.
- Avoid direct eye exposure to the light source while the product is on.
- Make sure the power cord is not crimped or damaged.
- Never disconnect the product from power by pulling or tugging on the cord.
- If mounting the product overhead, always secure to a fastening device using a safety cable.
- Make sure there are no flammable materials close to the product when operating.
- Do not touch the product's housing when operating because it may be very hot.



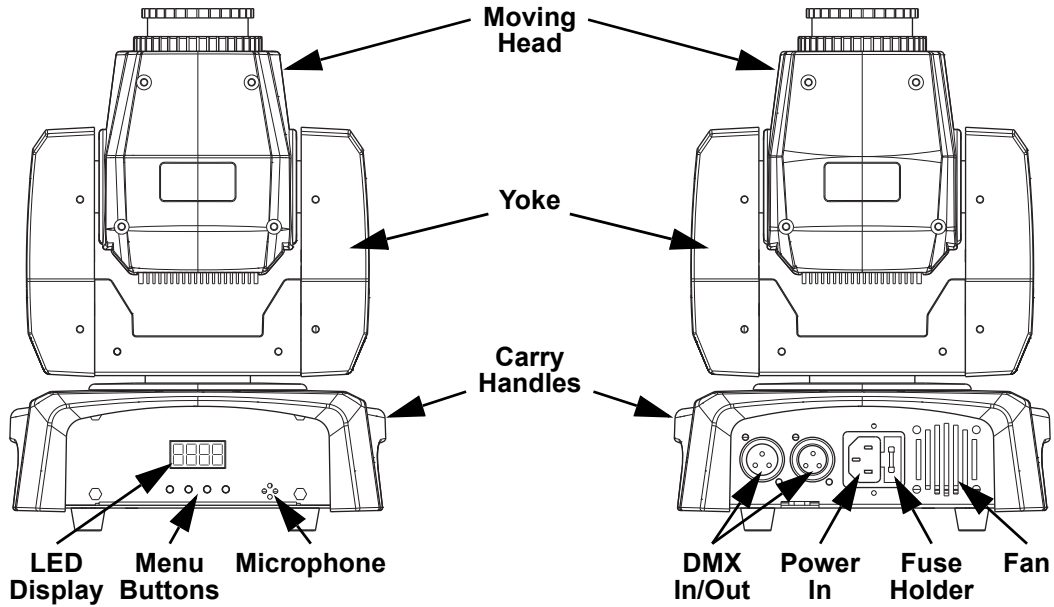
- The voltage of the outlet to which you are connecting this product must be within the range stated on the decal or rear panel of the product.
- The product is for indoor use only! (IP20) To prevent risk of fire or shock, do not expose the product to rain or moisture.
- Always install the product in a location with adequate ventilation, at least 20 in (50 cm) from adjacent surfaces.
- Be sure that no ventilation slots on the product's housing are blocked.
- Never connect the product to a dimmer or rheostat.
- Make sure to replace the fuse with another of the same type and rating.
- Never carry the product from the power cord or any moving part. Always use the handles.
- The maximum ambient temperature is 104 °F (40 °C). Do not operate this product at higher temperatures.
- In the event of a serious operating problem, stop using the product immediately.
- Do not open this product. It contains no user-serviceable parts.
- To eliminate unnecessary wear and improve its lifespan, during periods of non-use, completely disconnect the product from power via breaker or by unplugging it.



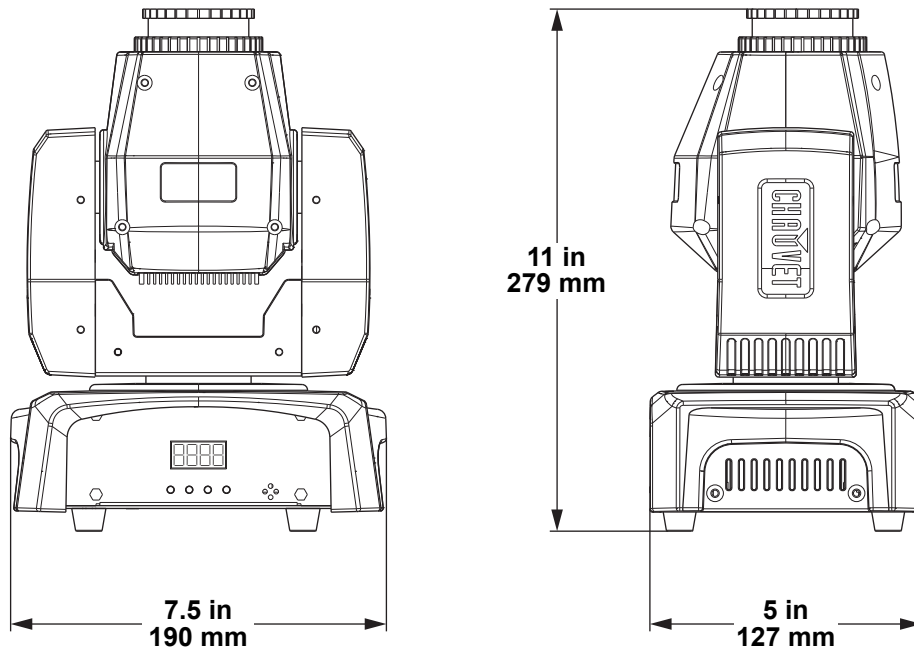
Keep this User Manual for future use. If the product is sold to someone else, be sure that they also receive this document.

## 2. Introduction

### Product Overview



### Product Dimensions



### 3. Setup

#### AC Power

The Intimidator Spot 110 has an auto-ranging power supply and it can work with an input voltage range of 100 to 240 VAC, 50/60 Hz.

To determine the product's power requirements (circuit breaker, power outlet, and wiring), use the current value listed on the label affixed to the product's back panel, or refer to the product's specifications chart.

The listed current rating indicates the product's average current draw under normal conditions.



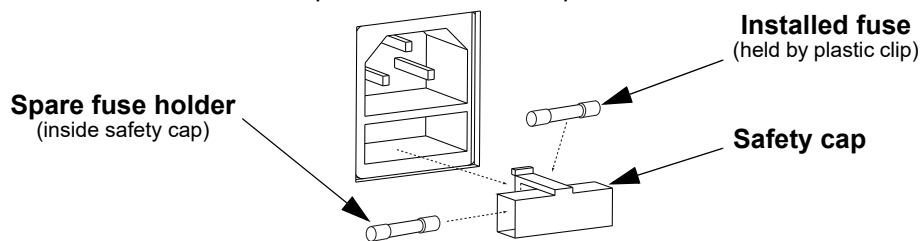
- **Always connect the product to a protected circuit (a circuit breaker or fuse). Make sure the product has an appropriate electrical ground to avoid the risk of electrocution or fire.**
- **To eliminate unnecessary wear and improve its lifespan, during periods of non-use completely disconnect the product from power via breaker or by unplugging it.**



**Never connect the product to a rheostat (variable resistor) or dimmer circuit, even if the rheostat or dimmer channel serves only as a 0 to 100% switch.**

#### Fuse Replacement

1. Disconnect the product from power.
2. Wedge the tip of a flat-head screwdriver into the slot of the fuse holder.
3. Pry the fuse holder out of the housing.
4. Remove the blown fuse from the holder and replace with a fuse of the exact same type and rating.
5. Insert the fuse holder back in place and reconnect power.



**Disconnect the product from the power outlet before replacing the fuse.**

## Mounting

Before mounting the product, read and follow the safety recommendations indicated in the [Safety Notes](#).

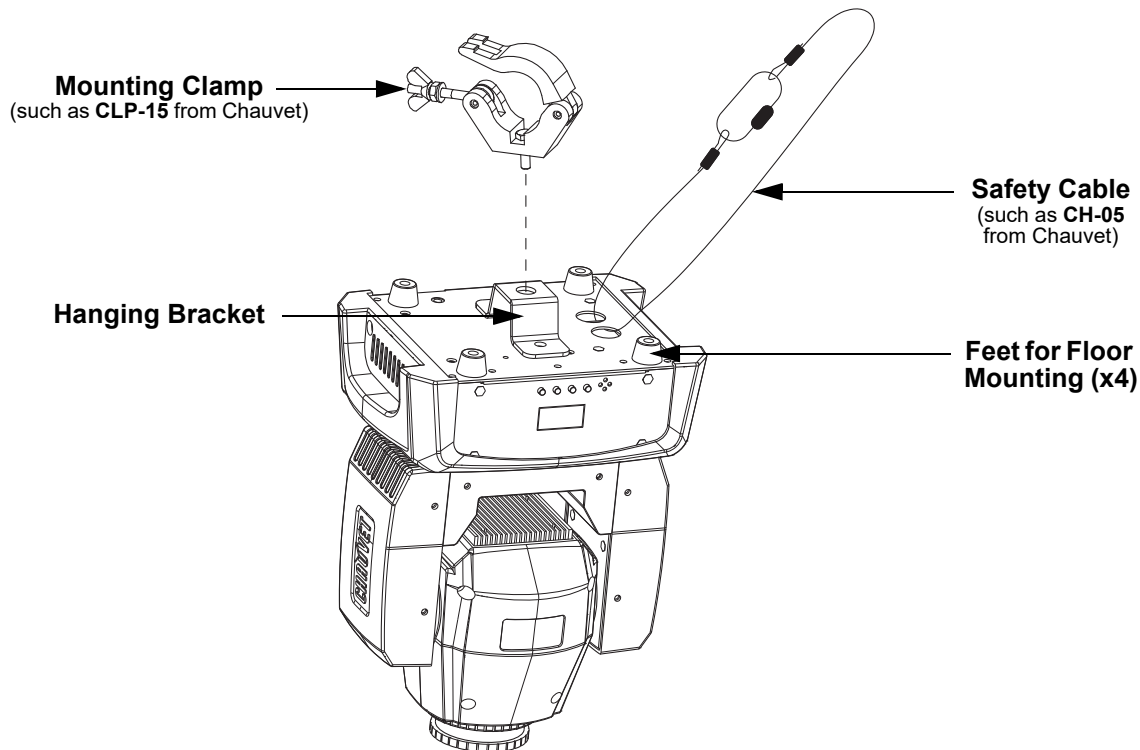
### Orientation

The Intimidator Spot 110 may be mounted in any position; however, make sure adequate ventilation is provided around the product.

### Rigging

- Before deciding on a location, always make sure there is easy access to the product for maintenance and programming.
- Make sure adequate ventilation is provided around the product.
- Make sure that the structure or surface onto which you are mounting the product can support the product's weight. (see the [Technical Specifications](#))
- When mounting the product overhead, always use a safety cable. Mount the product securely to a rigging point, whether an elevated platform or a truss.
- When rigging the product onto a truss, use a mounting clamp of appropriate weight capacity.
- When power linking multiple products, mount the products close enough for power linking cables to reach.
- The rubber feet also serve as floor supports and allow for surface mounting. When mounting the product on the floor, make sure that the product and cables are away from people and vehicles.

### Mounting Diagram



When using only one mounting clamp with this fixture, you must use a clamp with a captive bolt to prevent accidental loosening.

## 4. Operation

### Control Panel Operation

To access the control panel functions, use the four buttons located underneath the display. Please refer to the [Product Overview](#) to see the button locations on the control panel.

| Button  | Function  |
|---------|---|
| <MENU>  | Press to find an operation mode or to back out of the current menu option |
| <UP>    | Press to scroll up the list of options or to find a higher value          |
| <DOWN>  | Press to scroll down the list of options or to find a lower value         |
| <ENTER> | Press to activate a menu option or a selected value                       |

### Menu Map

| Mode          | Programming Levels |          | Description                       |                       |
|---------------|--------------------|----------|-----------------------------------|-----------------------|
| Address       | Addr               | A001–512 | Sets the DMX starting address     |                       |
| Channel Mode  | ChMd               | 6Ch      | Selects the DMX personality       |                       |
|               |                    | 12Ch     |                                   |                       |
| Show Mode     | ShMd               | Auto     | Selects Auto mode and speed       |                       |
|               |                    | SP 1–10  |                                   |                       |
| Sensitivity   | SEnS               | Soud     | Selects sound-active mode         |                       |
|               |                    | 0–100    |                                   |                       |
| Pan Reverse   | PAn                | no       | Normal pan operation              |                       |
|               |                    | YES      |                                   |                       |
| Tilt Reverse  | tILt               | no       | Normal tilt operation             |                       |
|               |                    | YES      |                                   |                       |
| Manual Mode   | MAnu               | PAn      | P 0–255                           | Manual pan control    |
|               |                    | tILt     | t 0–255                           | Manual tilt control   |
|               |                    | CoLo     | C 0–255                           | Manual color control  |
|               |                    | Gobo     | G 0–255                           | Manual gobo control   |
|               |                    | dIMM     | d 0–255                           | Manual dimmer control |
|               |                    | Stro     | S 0–255                           | Manual strobe control |
| Version       | uEr                | u _ _ _  | Displays current firmware version |                       |
| Factory Reset | LoAd               | no       | Loads factory defaults            |                       |
|               |                    | YES      |                                   |                       |

### Configuration (DMX)

The Intimidator Spot 110 works with a DMX controller. Information about DMX is in the CHAUVET DMX Primer, which is available from the Chauvet website [http://www.chauvetlighting.com/downloads/DMX\\_Primer\\_rev05\\_WO.pdf](http://www.chauvetlighting.com/downloads/DMX_Primer_rev05_WO.pdf).

#### Starting Address

When selecting a starting DMX address, always consider the number of DMX channels the selected DMX mode uses. If the starting address is set too high, access to some of the product's channels could be restricted.

The Intimidator Spot 110 uses up to 15 DMX channels, which defines the highest configurable address to 501.

For information about the DMX protocol, download the DMX Primer from [www.chauvetdj.com](http://www.chauvetdj.com).

To select the starting address, do the following:

1. Press <MENU> repeatedly until **Addr** shows on the display.
2. Press <ENTER>.
3. Use <UP> or <DOWN> to select the starting address, from **A001–512**.
4. Press <ENTER>.



## Operation

### DMX Personalities

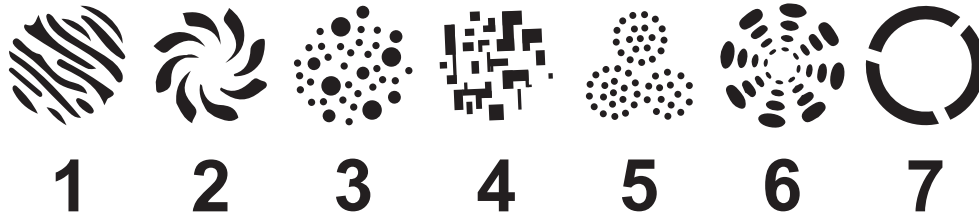
The Intimidator Spot 110 has two DMX personalities, a 12-channel personality, and a 6-channel personality.

To select a DMX personality, follow the instructions below.

1. Press **<MENU>** repeatedly until **ChMd** shows on the display.
2. Press **<ENTER>**.
3. Use **<UP>** or **<DOWN>** to select the DMX personality, from **6Ch** or **12Ch**.
4. Press **<ENTER>**.

### DMX Channel Assignments and Values

#### Gobos



#### 12Ch

| Channel   | Function       | Value     | Percent/Setting              |
|-----------|----------------|-----------|------------------------------|
| 1         | Pan            | 000 ⇔ 255 | 0–540°                       |
| 2         | Fine Pan       | 000 ⇔ 255 | Fine control of panning      |
| 3         | Tilt           | 000 ⇔ 255 | 0–270°                       |
| 4         | Fine Tilt      | 000 ⇔ 255 | Fine control of tilting      |
| 5         | Pan/Tilt Speed | 000 ⇔ 255 | Pan/Tilt speed, fast to slow |
| 6         | Color Wheel    | 000 ⇔ 031 | Open                         |
|           |                | 032 ⇔ 063 | Color 1                      |
|           |                | 064 ⇔ 095 | Color 2                      |
|           |                | 096 ⇔ 127 | Color 3                      |
|           |                | 128 ⇔ 159 | Color 4                      |
|           |                | 160 ⇔ 191 | Color 5                      |
|           |                | 192 ⇔ 223 | Color 6                      |
| 7         | Strobe         | 224 ⇔ 255 | Color 7                      |
|           |                | 000 ⇔ 015 | On                           |
|           |                | 016 ⇔ 131 | Strobe, slow to fast         |
|           |                | 132 ⇔ 139 | On                           |
|           |                | 140 ⇔ 181 | 0–100%, slow to fast         |
|           |                | 182 ⇔ 189 | On                           |
|           |                | 190 ⇔ 231 | 100–0%, slow to fast         |
|           |                | 232 ⇔ 239 | On                           |
| 240 ⇔ 247 | Random strobe  |           |                              |
| 8         | Dimmer         | 248 ⇔ 255 | On                           |
|           |                | 000 ⇔ 255 | 0–100%                       |

| Channel   | Function                                | Value     | Percent/Setting                    |
|-----------|---|-----------|------------------------------------|
| 9         | Gobo Wheel (see <a href="#">Gobos</a> ) | 000 ⇔ 031 | Open                               |
|           |   | 032 ⇔ 063 | Gobo 1                             |
|           |   | 064 ⇔ 095 | Gobo 2                             |
|           |   | 096 ⇔ 127 | Gobo 3                             |
|           |   | 128 ⇔ 159 | Gobo 4                             |
|           |   | 160 ⇔ 191 | Gobo 5                             |
|           |   | 192 ⇔ 223 | Gobo 6                             |
|           |   | 224 ⇔ 255 | Gobo 7                             |
| 10        | Function                                | 000 ⇔ 069 | No function                        |
|           |   | 070 ⇔ 089 | Blackout on pan/tilt move on       |
|           |   | 090 ⇔ 109 | Blackout on pan/tilt move off      |
|           |   | 110 ⇔ 129 | Blackout on color wheel move on    |
|           |   | 130 ⇔ 149 | Blackout on color wheel move off   |
|           |   | 150 ⇔ 169 | Blackout on gobo wheel move on     |
|           |   | 170 ⇔ 189 | Blackout on gobo wheel move off    |
|           |   | 190 ⇔ 199 | No function                        |
|           |   | 200 ⇔ 209 | Reset all                          |
|           |   | 210 ⇔ 249 | No function                        |
|           |   | 250 ⇔ 255 | Sound-active program               |
| 11        | Movement Macro                          | 000 ⇔ 015 | No function                        |
|           |   | 016 ⇔ 035 | Movement macro 1                   |
|           |   | 036 ⇔ 055 | Movement macro 2                   |
|           |   | 056 ⇔ 075 | Movement macro 3                   |
|           |   | 076 ⇔ 095 | Movement macro 4                   |
|           |   | 096 ⇔ 115 | Movement macro 5                   |
|           |   | 116 ⇔ 135 | Movement macro 6                   |
|           |   | 136 ⇔ 155 | Movement macro 7                   |
|           |   | 156 ⇔ 175 | Movement macro 8                   |
|           |   | 176 ⇔ 195 | Movement macro 9                   |
|           |   | 196 ⇔ 215 | Movement macro 10                  |
|           |   | 216 ⇔ 235 | Movement macro 11                  |
| 236 ⇔ 255 | Movement macro 12                       |           |                                    |
| 12        | Movement Macro Speed                    | 000 ⇔ 255 | Movement macro speed, fast to slow |

## 6Ch

| Channel   | Function                                | Value     | Percent/Setting      |
|-----------|---|-----------|----------------------|
| 1         | Pan                                     | 000 ⇔ 255 | 0–540°               |
| 2         | Tilt                                    | 000 ⇔ 255 | 0–270°               |
| 3         | Color Wheel                             | 000 ⇔ 031 | Open                 |
|           |   | 032 ⇔ 063 | Color 1              |
|           |   | 064 ⇔ 095 | Color 2              |
|           |   | 096 ⇔ 127 | Color 3              |
|           |   | 128 ⇔ 159 | Color 4              |
|           |   | 160 ⇔ 191 | Color 5              |
|           |   | 192 ⇔ 223 | Color 6              |
| 4         | Strobe                                  | 000 ⇔ 015 | On                   |
|           |   | 016 ⇔ 255 | Strobe, slow to fast |
| 5         | Dimmer                                  | 000 ⇔ 255 | 0–100%               |
| 6         | Gobo Wheel (see <a href="#">Gobos</a> ) | 000 ⇔ 031 | Open                 |
|           |   | 032 ⇔ 063 | Gobo 1               |
|           |   | 064 ⇔ 095 | Gobo 2               |
|           |   | 096 ⇔ 127 | Gobo 3               |
|           |   | 128 ⇔ 159 | Gobo 4               |
|           |   | 160 ⇔ 191 | Gobo 5               |
|           |   | 192 ⇔ 223 | Gobo 6               |
| 224 ⇔ 255 | Gobo 7                                  |           |                      |

## Configuration (Standalone)

Set the product in one of the standalone modes to control without a DMX controller.



**Never connect a product that is operating in any standalone mode to a DMX string connected to a DMX controller. Products in standalone mode may transmit DMX signals that could interfere with the DMX signals from the controller.**

### Automatic Programs

To run the Intimidator Spot 110 in automatic mode, follow the instructions below:

1. Press **<MENU>** repeatedly until **ShMd** shows on the display.
2. Press **<ENTER>**.
3. Use **<UP>** or **<DOWN>** to select **Auto**.
4. Press **<ENTER>**.
5. Use **<UP>** or **<DOWN>** to increase or decrease the speed of the program, from **SP 1–10**.
6. Press **<ENTER>**.

### Sound-Active Mode

To run the Intimidator Spot 110 in sound-active mode, do the following:

1. Press **<MENU>** repeatedly until **ShMd** shows on the display.
2. Press **<ENTER>**.
3. Use **<UP>** or **<DOWN>** to select **Soud**.
4. Press **<ENTER>**.

### Sound Sensitivity

To set the sound sensitivity on the Intimidator Spot 110, follow the instructions below:

1. Press **<MENU>** repeatedly until **SEnS** shows on the display.
2. Press **<ENTER>**.
3. Use **<UP>** or **<DOWN>** to increase or decrease the sound sensitivity, from **0–100**.
4. Press **<ENTER>**.



**The product will only respond to low frequencies of music (bass and drums).**

## Manual Mode

To operate the Intimidator Spot 110 manually through the menu, do the following:

1. Press **<MENU>** repeatedly until **MAnu** shows on the display.
2. Press **<ENTER>**.
3. Use **<UP>** or **<DOWN>** to select from **PAn**, **tILt**, **CoLo**, **Gobo**, **dIMM**, or **Stro**.
4. Press **<ENTER>**.
5. Use **<UP>** or **<DOWN>** to increase or decrease the value of the function, from **0–255**.
6. Press **<ENTER>**.
7. Repeat steps 3-6 until the product is set as desired.

## Configuration (Settings)

### Pan Reverse

To set the pan orientation on the Intimidator Spot 110, follow the instructions below:

1. Press **<MENU>** repeatedly until **PAn** shows on the display.
2. Press **<ENTER>**.
3. Use **<UP>** or **<DOWN>** to select **no** (normal pan orientation) or **YES** (reverse pan orientation).
4. Press **<ENTER>**.

### Tilt Reverse

To set the tilt orientation on the Intimidator Spot 110, do the following:

1. Press **<MENU>** repeatedly until **tILt** shows on the display.
2. Press **<ENTER>**.
3. Use **<UP>** or **<DOWN>** to select **no** (normal tilt orientation) or **YES** (reverse tilt orientation).
4. Press **<ENTER>**.

### Firmware Version

To view the current firmware version of the Intimidator Spot 110, do the following:

1. Press **<MENU>** repeatedly until **uEr** shows on the display.
2. Press **<ENTER>**.

### Factory Reset

To restore the Intimidator Spot 110 to factory default settings, follow the instructions below:

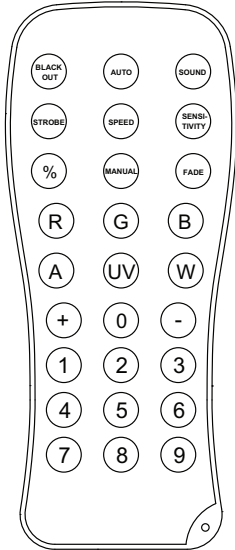
1. Press **<MENU>** repeatedly until **LoAd** shows on the display.
2. Press **<ENTER>**.
3. Use **<UP>** or **<DOWN>** to select **no** (do not reset) or **YES** (reset to factory defaults).
4. Press **<ENTER>**.

## IRC-6 Infrared Remote Control

The Intimidator Spot 110 is compatible with the IRC-6 infrared remote control from Chauvet. To set the Intimidator Spot 110 to IR mode, follow the instructions below:

1. Press **<MENU>** repeatedly until **ShMd** shows on the display.
2. Press **<ENTER>**.

### IRC-6 Operation



The list below describes which features each button controls:

- **<BLACKOUT>** - Keeps shutter closed.
- **<AUTO>** - Activates Auto mode.
- **<SOUND>** - Activates Sound mode.
- **<STROBE>** - Activates Strobe control. Use **<+>** or **<->** to increase or decrease the strobe speed.
- **<SPEED>** - Sets Pan/Tilt Speed. Use **<+>** or **<->** to increase or decrease the pan/tilt speed from **000** (fastest) to **255** (slowest)
- **<SENSITIVITY>** - Sets Sound Sensitivity. Use **<+>** or **<->** to increase or decrease the sensitivity from **001** (lowest) to **100** (highest)
- **<%>** - Sets Dimmer value. Use **<+>** or **<->** to widen or narrow the shutter.

## Master/Slave Mode

The Master/Slave mode allows a single Intimidator Spot 110 product (the “master”) to control the actions of one or more Intimidator Spot 110 products (the “slaves”) without the need of a DMX controller. The master product will be set to operate in either standalone mode or with the IRC-6, while the slave products will be set to operate in slave mode. Once set and connected, the slave products will operate in unison with the master product.

Configure the products as indicated below.

### Slave products:

1. Press **<MENU>** repeatedly until **ChMd** shows on the display.
2. Use **<UP>** or **<DOWN>** to select **6Ch**.
3. Press **<ENTER>**.
4. Press **<MENU>** repeatedly until **Addr** shows on the display.
5. Use **<UP>** or **<DOWN>** to select **A001**.
6. Press **<ENTER>**.
7. Connect the DMX input of the first slave product to the DMX output of the master product.
8. Connect the DMX input of the subsequent slave products to the DMX output of the previous slave product.
9. Finish setting and connecting all the slave products.

### Master product:

1. Set the master product to operate in standalone mode.
2. Make the master product the first product in the DMX daisy chain.



- **Configure all the slave products before connecting the master to the daisy chain.**
- **Never connect a DMX controller to a DMX string configured for Master/Slave operation because the controller may interfere with the signals from the master.**
- **Do not connect more than 31 slaves to the master.**

## 5. Maintenance

### Product Maintenance

Dust build-up reduces light output performance and can cause overheating. This can lead to reduction of the light source's life and/or mechanical wear. To maintain optimum performance and minimize wear, clean your lighting products at least twice a month. However, be aware that usage and environmental conditions could be contributing factors to increase the cleaning frequency.

To clean the product, follow the instructions below:

1. Unplug the product from power.
2. Wait until the product is at room temperature.
3. Use a vacuum (or dry compressed air) and a soft brush to remove dust collected on the external surface/vents.
4. Clean all transparent surfaces with a mild soap solution, ammonia-free glass cleaner, or isopropyl alcohol.
5. Apply the solution directly to a soft, lint-free cotton cloth or a lens cleaning tissue.
6. Softly drag any dirt or grime to the outside of the transparent surface.
7. Gently polish the transparent surfaces until they are free of haze and lint.



**Always dry the transparent surfaces carefully after cleaning them.**



**Do not spin the cooling fans using compressed air because they could be damaged.**

## 6. Technical Specifications

### Dimensions and Weight

| Length          | Width         | Height         | Weight        |
|-----------------|---------------|----------------|---------------|
| 7.5 in (190 mm) | 5 in (127 mm) | 11 in (279 mm) | 5 lb (2.3 kg) |

**Note:** Dimensions in inches rounded to the nearest decimal digit.

### Power

| Power Supply Type     | Range                    | Voltage Selection |
|-----------------------|--------------------------|-------------------|
| Switching (internal)  | 100 to 240 VAC, 50/60 Hz | Auto-ranging      |
| Parameter             | 120 V, 60 Hz             | 230 V, 50 Hz      |
| Consumption           | 41 W                     | 38 W              |
| Operating current     | 0.6 A                    | 0.4 A             |
| Fuse                  | F 1 A, 250 V             | F 1 A, 250 V      |
| Power I/O             | U.S./Worldwide           | UK/Europe         |
| Power input connector | IEC                      | IEC               |
| Power cord plug       | Edison (U.S.)            | Local plug        |

### Light Source

| Type | Color      | Quantity | Power | Current | Lifespan     |
|------|------------|----------|-------|---------|--------------|
| LED  | Cool white | 1        | 10 W  | 2.1 A   | 50,000 hours |

### Photometrics

| Strobe Rate | Beam Angle | Illuminance @ 2 m |
|-------------|------------|-------------------|
| 0 to 23 Hz  | 13°        | 1,561 lux         |

### Thermal

| Maximum External Temperature | Cooling System          |
|------------------------------|-------------------------|
| 104 °F (40 °C)               | Fan-assisted convection |

### DMX

| I/O Connector | Channel Range |
|---------------|---------------|
| 3-pin XLR     | 6 or 12       |

### Ordering

| Product Name         | Item Code | UPC Number   |
|----------------------|-----------|--------------|
| Intimidator Spot 110 | 07011494  | 781462218423 |





# Returns

In case you need to get support or return a product:

- If you are located in the U.S., contact Chauvet World Headquarters.
- If you are located in the UK or Ireland, contact Chauvet Europe Ltd.
- If you are located in Benelux, contact Chauvet Europe BVBA.
- If you are located in France, contact Chauvet France.
- If you are located in Germany, contact Chauvet Germany.
- If you are located in Mexico, contact Chauvet Mexico.
- If you are located in any other country, DO NOT contact Chauvet. Instead, contact your local distributor. See [www.chauvetdj.com](http://www.chauvetdj.com) for distributors outside the U.S., UK, Ireland, Benelux, France, Germany, or Mexico.



**If you are located outside the U.S., UK, Ireland, Benelux, France, Germany, or Mexico, contact your distributor of record and follow their instructions on how to return Chauvet products to them. Visit our website [www.chauvetdj.com](http://www.chauvetdj.com) for contact details.**

Call the corresponding Chauvet Technical Support office and request a Return Merchandise Authorization (RMA) number before shipping the product. Be prepared to provide the model number, serial number, and a brief description of the cause for the return.

To submit a service request online, go to [www.chauvetdj.com/service-request](http://www.chauvetdj.com/service-request).

Send the merchandise prepaid, in its original box, and with its original packing and accessories. Chauvet will not issue call tags.

Clearly label the package with the RMA number. Chauvet will refuse any product returned without an RMA number.



**Write the RMA number on a properly affixed label. DO NOT write the RMA number directly on the box.**

Before sending the product, clearly write the following information on a piece of paper and place it inside the box:

- Your name
- Your address
- Your phone number
- RMA number
- A brief description of the problem

Be sure to pack the product properly. Any shipping damage resulting from inadequate packaging will be your responsibility. FedEx packing or double-boxing are recommended.



**Chauvet reserves the right to use its own discretion to repair or replace returned product(s).**

## Contact Us

| General Information  | Technical Support  |
|--|--|
| <b>Chauvet World Headquarters</b>  |  |
| Address: 5200 NW 108th Ave.<br>Sunrise, FL 33351<br>Voice: (954) 577-4455<br>Fax: (954) 929-5560<br>Toll Free: (800) 762-1084                          | Voice: (844) 393-7575<br>Fax: (954) 756-8015<br>Email: <a href="mailto:chauvetcs@chauvetlighting.com">chauvetcs@chauvetlighting.com</a><br>Website: <a href="http://www.chauvetdj.com">www.chauvetdj.com</a> |
| <b>Chauvet Europe Ltd</b>  |  |
| Address: Unit 1C<br>Brookhill Road Industrial Estate<br>Pinxton, Nottingham, UK<br>NG16 6NT<br>Voice: +44 (0) 1773 511115<br>Fax: +44 (0) 1773 511110  | Email: <a href="mailto:UKtech@chauvetlighting.eu">UKtech@chauvetlighting.eu</a><br>Website: <a href="http://www.chauvetdj.eu">www.chauvetdj.eu</a>   |
| <b>Chauvet Europe BVBA</b>   |  |
| Address: Stokstraat 18<br>9770 Kruishoutem<br>Belgium<br>Voice: +32 9 388 93 97  | Email: <a href="mailto:BNLtech@chauvetlighting.eu">BNLtech@chauvetlighting.eu</a><br>Website: <a href="http://www.chauvetdj.eu">www.chauvetdj.eu</a>   |
| <b>Chauvet France</b>  |  |
| Address: 3, Rue Ampère<br>91380 Chilly-Mazarin<br>France<br>Voice: +33 1 78 85 33 59   | Email: <a href="mailto:FRtech@chauvetlighting.fr">FRtech@chauvetlighting.fr</a><br>Website: <a href="http://www.chauvetdj.eu">www.chauvetdj.eu</a>   |
| <b>Chauvet Germany</b>   |  |
| Address: Bruno-Bürgel-Str. 11<br>28759 Bremen<br>Germany<br>Voice: +49 421 62 60 20  | Email: <a href="mailto:DEtech@chauvetlighting.de">DEtech@chauvetlighting.de</a><br>Website: <a href="http://www.chauvetdj.eu">www.chauvetdj.eu</a>   |
| <b>Chauvet Mexico</b>  |  |
| Address: Av. de las Partidas 34 - 3B<br>(Entrance by Calle 2)<br>Zona Industrial Lerma<br>Lerma, Edo. de México, CP 52000<br>Voice: +52 (728) 690-2010 | Email: <a href="mailto:servicio@chauvet.com.mx">servicio@chauvet.com.mx</a><br>Website: <a href="http://www.chauvetdj.mx">www.chauvetdj.mx</a>   |

Outside the U.S., U.K., Ireland, Benelux, France, Germany, or Mexico, contact the dealer of record. Follow the instructions to request support or to return a product. Visit our website for contact details.