

KINTA HP

User Manual




CHAUVET **3**



Edition Notes

The Kinta HP User Manual includes a description, safety precautions, installation, programming, operation, and maintenance instructions for the Kinta HP as of the release date of this edition.

Trademarks

Chauvet, Chauvet DJ, the Chauvet logo, and Kinta are registered trademarks or trademarks of Chauvet & Sons, LLC (d/b/a Chauvet and Chauvet Lighting) in the United States and other countries. Other company and product names and logos referred to herein may be trademarks of their respective companies.

Copyright Notice

The works of authorship contained in this manual, including, but not limited to, all designs, text, and images are owned by Chauvet.

© Copyright 2024 Chauvet & Sons, LLC. All rights reserved.

Electronically published by Chauvet in the United States of America.

Manual Use

Chauvet authorizes its customers to download and print this manual for professional information purposes only. Chauvet expressly prohibits the usage, copy, storage, distribution, modification, or printing of this manual or its content for any other purpose without written consent from Chauvet.

Document Printing

For best results, print this document in color, on letter size paper (8.5 x 11 in), double-sided. If using A4 paper (210 x 297 mm), configure the printer to scale the content accordingly.

Intended Audience

Any person installing, operating, and/or maintaining this product should completely read through the guide that shipped with the product, as well as this manual, before installing, operating, or maintaining this product.

Disclaimer

Chauvet believes that the information contained in this manual is accurate in all respects. However, Chauvet assumes no responsibility and specifically disclaims any and all liability to any party for any loss, damage, or disruption caused by any errors or omissions in this document, whether such errors or omissions result from negligence, accident, or any other cause. Chauvet reserves the right to revise the content of this document without any obligation to notify any person or company of such revision; however, Chauvet has no obligation to make, and does not commit to make, any such revisions.

Document Revision

Go to www.chauvetdj.com for the latest version.

Revision	Date	Description
2	02/2024	Updated UM formatting/ DMX charts.

TABLE OF CONTENTS

- 1. Before You Begin** 1
 - What Is Included 1
 - Unpacking Instructions 1
 - Claims 1
 - Text Conventions 1
 - Symbols 1
 - Safety Notes 2
- 2. Introduction** 3
 - Product Overview 3
 - Product Dimensions 3
- 3. Setup** 4
 - AC Power 4
 - Fuse Replacement 4
 - Power Linking 4
 - Mounting 5
 - Orientation 5
 - Rigging 5
- 4. Operation** 6
 - Control Panel Operation 6
 - Menu Map 6
 - Configuration 6
 - Starting Address and Personality 6
 - DMX Channel Assignments and Values 7
 - Configuration 8
 - Automatic Programs 8
 - Auto-Program Speed 8
 - Sound-Active Mode 8
 - Sound Sensitivity 8
 - Preset Color Mode 8
 - IRC-6 Infrared Remote Control 8
 - IRC-6 Operation 9
 - Master/Slave Mode 9
- 5. Maintenance** 10
 - Product Maintenance 10
- 6. Technical Specifications** 11
- Contact Us** 12
 - Warranty & Returns 12

1. Before You Begin

What Is Included

- Kinta HP
- Power cable
- Quick Reference Guide

Unpacking Instructions

Carefully unpack the product immediately and check the container to make sure all the parts are in the package and are in good condition.

Claims





If the box or the contents (the product and included accessories) appear damaged from shipping, or show signs of mishandling, notify the carrier immediately, not Chauvet. Failure to report damage to the carrier immediately may invalidate a claim. In addition, keep the box and contents for inspection.

For other issues, such as missing components or parts, damage not related to shipping, or concealed damage, file a claim with Chauvet within 7 days of delivery.




Text Conventions

Convention	Meaning
1–512	A range of values
50/60	A set of values of which only one can be chosen
Settings	A menu option not to be modified
<ENTER>	A key to be pressed on the product's control panel
ON	A value to be entered or selected

Symbols

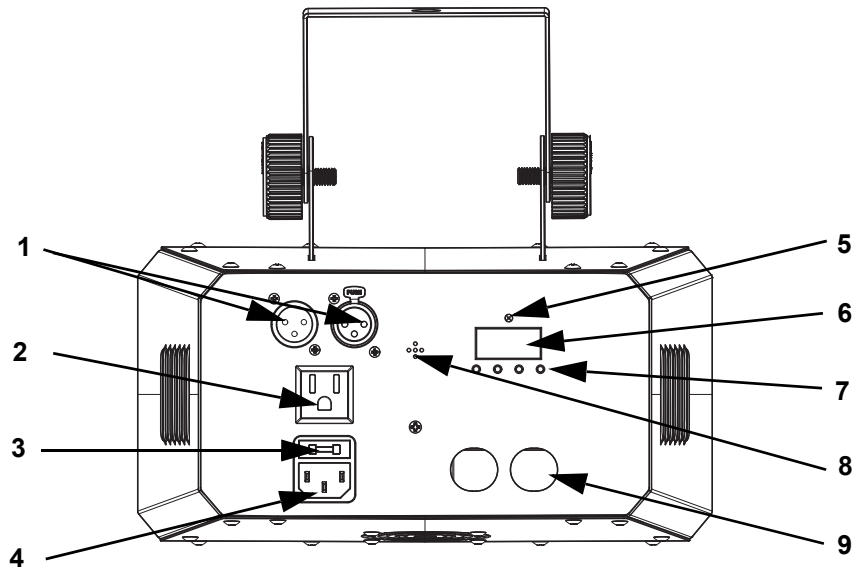
Symbol	Meaning
	Electrical warning. Not following these instructions may cause electrical damage to the product, accessories, or the user.
	Critical installation, configuration, or operation information. Not following these instructions may make the product not work, cause damage to the product, or cause harm to the operator.
	Important installation or configuration information. The product may not function correctly if this information is not used.
	Useful information.

Safety Notes

- **ALWAYS:**
 - ◆ Connect to a grounded circuit.
 - ◆ Connect to operating voltages as specified on the product's spec sticker.
 - ◆ Disconnect from power before replacing the fuse.
 - ◆ Disconnect from its power source during periods of inactivity.
 - ◆ Use a safety cable when suspending overhead.
 - ◆ Heed all restrictions and warnings on the spec sticker.
 - ◆ Mount in a location with at least 20 in (50 cm) of ventilation.
 - ◆ Replace the fuse with the same type and rating.
 - In the event of a serious operating problem, stop using immediately.
 - **DO NOT:**
 - ◆ Open this product or attempt any repairs. It contains no user-serviceable parts.
 - ◆ Look at the light source when the product is on.
 - ◆ Use if the power cord is crimped or damaged.
 - ◆ Disconnect by pulling on the power cord.
 - ◆ Allow flammable materials close to the product when it is operating.
 - ◆ Touch the housing when it is on.
 - ◆ Block any ventilation holes/slots in the housing.
 - ◆ Connect to a dimmer or rheostat.
 - ◆ Carry the product by its power cord.
 - ◆ Operate in temperatures higher than 104°F (40°C).
 - ◆ Expose to environments that exceed the Ingress Protection (IP) rating.
 - ◆ Expose to rain or moisture.
 - ◆ Use outdoors.
 - ◆ Submerge.
-    Keep this User Manual for future use. If the product is sold to someone else, be sure that they also receive this document.

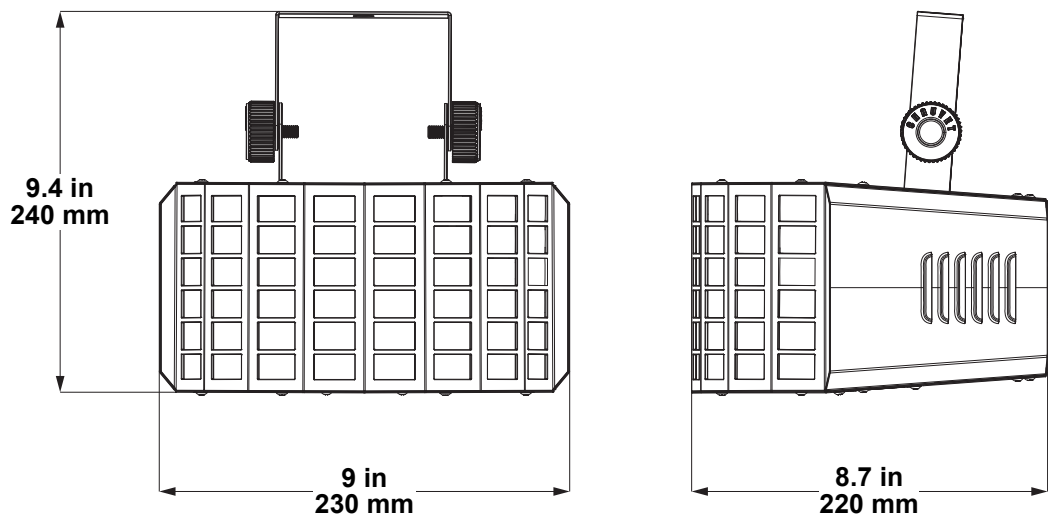
2. Introduction

Product Overview



#	Name
1	DMX in/out
2	Power out
3	Fuse holder
4	Power in
5	IR sensor
6	LED display
7	Menu buttons
8	Microphone
9	Safety cable pass-through

Product Dimensions



3. Setup

AC Power

The Kinta HP has an auto-ranging power supply and it can work with an input voltage range of 100 to 240 VAC, 50/60 Hz.

To determine the product's power requirements (circuit breaker, power outlet, and wiring), use the current value listed on the label affixed to the product's back panel, or refer to the product's specifications chart. The listed current rating indicates the product's average current draw under normal conditions.



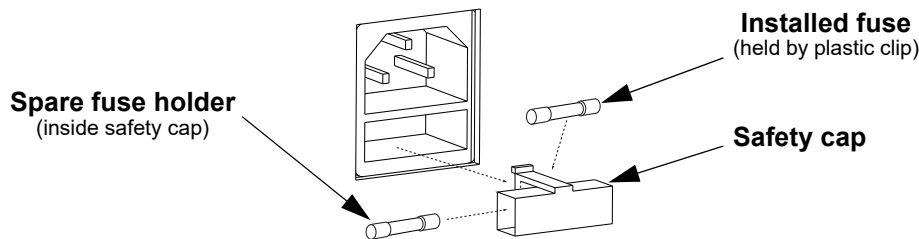
- **Always connect the product to a protected circuit (a circuit breaker or fuse). Make sure the product has an appropriate electrical ground to avoid the risk of electrocution or fire.**
- **To eliminate unnecessary wear and improve its lifespan, during periods of non-use completely disconnect the product from power via breaker or by unplugging it.**



Never connect the product to a rheostat (variable resistor) or dimmer circuit, even if the rheostat or dimmer channel serves only as a 0 to 100% switch.

Fuse Replacement

1. Disconnect the product from power.
2. Wedge the tip of a flat-head screwdriver into the slot of the fuse holder.
3. Pry the fuse holder out of the housing.
4. Remove the blown fuse from the holder and replace with a fuse of the exact same type and rating.
5. Insert the fuse holder back in place and reconnect power.

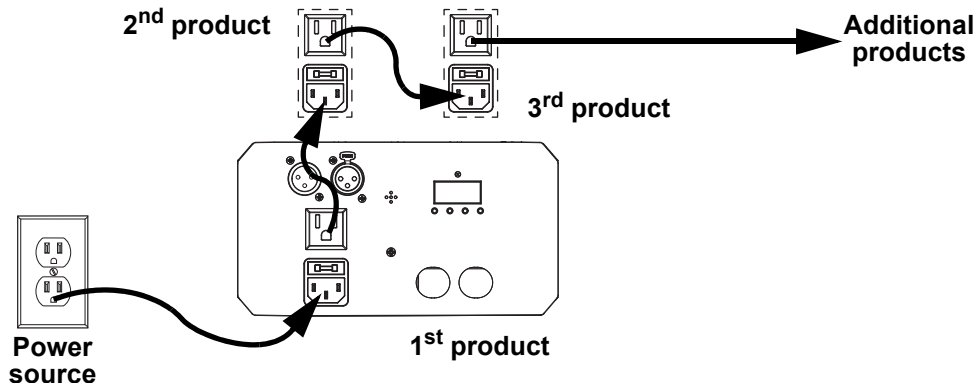


Disconnect the product from the power outlet before replacing the fuse.

Power Linking

The product provides power linking via the outlet located in the back of the product. See the diagram below for further explanation.

Power Linking Diagram



It is possible to power link up to 16 Kinta HP products on 120 VAC or up to 29 Kinta HP products on 230 VAC.



The power linking diagram corresponds to the North American version of the product ONLY! If using the product in other markets, consult with the local Chauvet distributor as power linking connectors and requirements may differ by country or region.

Mounting

Before mounting the product, read and follow the safety recommendations indicated in the [Safety Notes](#).

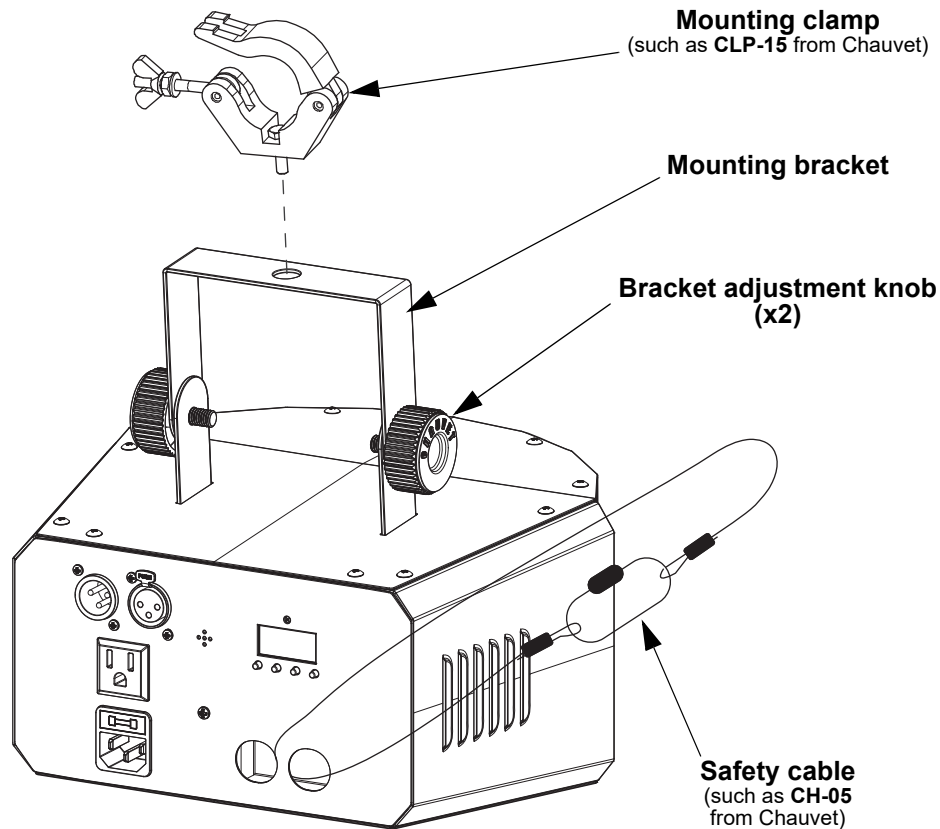
Orientation

The Kinta HP may be mounted in any position; however, make sure adequate ventilation is provided around the product.

Rigging

- Before deciding on a location, always make sure there is easy access to the product for maintenance and programming.
- Make sure adequate ventilation is provided around the product.
- Make sure that the structure and attachment points can support the product's weight before hanging the product. (see [Technical Specifications](#)).
- When mounting the product overhead, always use a safety cable. Mount the product securely to a rigging point, whether an elevated platform or a truss.
- When rigging the product onto a truss, use a mounting clamp of appropriate weight capacity.
- When power linking multiple products, mount the products close enough for power linking cables to reach.
- When mounting the product on the floor, make sure that the product and cables are away from people and vehicles.

Mounting Diagram



4. Operation

Control Panel Operation

To access the control panel functions, use the four buttons located underneath the display. Please refer to the [Product Overview](#) to see the button locations on the control panel.

Button	Function
<MENU>	Press to find an operation mode or to back out of the current menu option
<UP>	Press to scroll up the list of options or to find a higher value
<DOWN>	Press to scroll down the list of options or to find a lower value
<ENTER>	Press to activate a menu option or a selected value

Menu Map

Refer to the Kinta HP product page on www.chauvetdj.com for the latest menu map.

Mode	Programming Levels		Description
Address	3Ch	d001–512	3-channel DMX mode
	12Ch		12-channel DMX mode
Automatic program	P--	Auto	Automatic program
Program speed	S--	S001–100	Program speed
Static color	C--	C001–015	Static colors
Sound mode	Snd	bo	Blackout without sound
		SLoU	Slow without sound
Sound sensitivity	SenS	u001–100	Sound sensitivity
Infrared	SEt	on	Turns infrared on or off
		oFF	

Configuration

The Kinta HP works with a DMX controller. Information about DMX is in the Chauvet DMX Primer, which is available from the Chauvet website http://www.chauvetlighting.com/downloads/DMX_Primer_rev05_WO.pdf.

Starting Address and Personality

When selecting a starting DMX address, always consider the number of DMX channels the selected DMX mode uses. If the starting address is set too high, access to some of the product’s channels could be restricted.

The Kinta HP uses up to 12 DMX channels, which defines the highest configurable address to **501**.

For information about the DMX protocol, download the DMX Primer from www.chauvetdj.com.

To select the starting address and personality, do the following:

1. Press <MENU> repeatedly until **3Ch** or **12Ch** shows on the display.
2. Press <ENTER>.
3. Use <UP> or <DOWN> to select the starting address, from **d001–512**.
4. Press <ENTER>.

DMX Channel Assignments and Values

3CH	12CH	Function	Value	Percent/Setting
1	1	Auto program	000	No function
			001 ⇔ 250	Automatic program
			251 ⇔ 255	Sound-active mode
2	2	Program speed (when Ch. 1 is 001 ⇔ 250)	000 ⇔ 255	Program speed, slow to fast
		Sound sensitivity (when Ch. 1 is 251 ⇔ 255)	000 ⇔ 255	Sound sensitivity, low to high
-	3	Red	000 ⇔ 255	0–100%
-	4	Green	000 ⇔ 255	0–100%
-	5	Blue	000 ⇔ 255	0–100%
-	6	White	000 ⇔ 255	0–100%
-	7	Magenta	000 ⇔ 255	0–100%
-	8	Cyan	000 ⇔ 255	0–100%
-	9	Yellow	000 ⇔ 255	0–100%
-	10	Orange	000 ⇔ 255	0–100%
-	11	Strobe	000 ⇔ 005	No function
			006 ⇔ 255	Strobe, slow to fast
3	12	Motor rotation	000	No function
			001 ⇔ 255	Motor speed, slow to fast

Configuration

Set the product in one of the standalone modes to control without a DMX controller.



Never connect a product that is operating in any standalone mode to a DMX string connected to a DMX controller. Products in standalone mode may transmit DMX signals that could interfere with the DMX signals from the controller.

Automatic Programs

To run the Kinta HP in automatic mode, follow the instructions below:

1. Press **<MENU>** repeatedly until **P--** shows on the display.
2. Press **<ENTER>**. **Auto** will show on the display.

Auto-Program Speed

To change the auto-program speed on the Kinta HP, do the following:

1. Press **<MENU>** repeatedly until **S--** shows on the display.
2. Use **<UP>** or **<DOWN>** to increase or decrease the program speed, from **S001–100**.
3. Press **<ENTER>**. The product will return to auto mode.

Sound-Active Mode

To run the Kinta HP in sound-active mode, do the following:

1. Press **<MENU>** repeatedly until **Snd** shows on the display.
2. Press **<ENTER>**.
3. Use **<UP>** or **<DOWN>** to select from **bo** (blackout without sound) or **SLoU** (slow down without sound).
4. Press **<ENTER>**.



The product will only respond to low frequencies of music (bass and drums).

Sound Sensitivity

To set the sound sensitivity on the Kinta HP:

1. Press **<MENU>** repeatedly until **SenS** shows on the display.
2. Use **<UP>** or **<DOWN>** to increase or decrease the program speed, from **u001–100**.
3. Press **<ENTER>**. The product will return to sound-active mode.

Preset Color Mode

To run the Kinta HP on a static color, follow the instructions below:

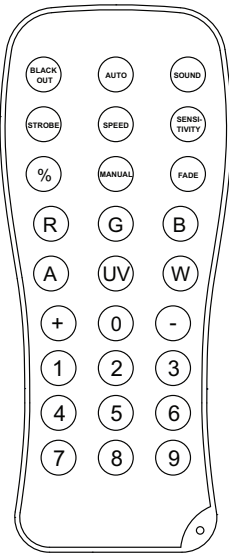
1. Press **<MENU>** repeatedly until **C---** shows on the display.
2. Press **<ENTER>**.
3. Use **<UP>** or **<DOWN>** to select a static color, from **C001–015**.
4. Press **<ENTER>**.

IRC-6 Infrared Remote Control

The Kinta HP is compatible with the IRC-6 infrared remote control from Chauvet. To run the Kinta HP in IR mode, follow the instructions below.

1. Press **<MENU>** repeatedly until **SEt** shows on the display.
2. Press **<ENTER>**.
3. Use **<UP>** or **<DOWN>** to select from **on** or **oFF**.
4. Press **<ENTER>**.

IRC-6 Operation



Automatic Mode

To turn on Automatic mode with the IRC-6:

1. Press **<AUTO>** on the IRC-6.

Sound-Active Mode

To turn on Sound-Active mode with the IRC-6:

1. Press **<SOUND>** on the IRC-6.

To set the sound sensitivity with the IRC-6:

1. Press **<SENSITIVITY>** on the IRC-6.
2. Press **<+>** or **<->** to increase or decrease the sound sensitivity.

Manual Color Control

To select a single static color with the IRC-6:

1. Press **<0>** (white), **<1>** (red), **<2>** (orange), **<3>** (yellow), **<4>** (green), **<5>** (cyan), **<6>** (blue), or **<7>** (magenta) on the IRC-6.

Rotation Speed Control

To set the rotation speed with the IRC-6:

1. Press **<SPEED>** on the IRC-6.
2. Press **<+>** or **<->** to increase or decrease the rotation speed.

Strobe

To adjust the strobe rate with the IRC-6:

1. Press **<STROBE>** on the IRC-6.
2. Press **<+>** or **<->** to increase or decrease the strobe rate.
3. Press **<STROBE>** again to turn off the strobe.

Dimmer

To adjust the dimmer with the IRC-6:

1. Press **<%>** on the IRC-6.
2. Press **<+>** or **<->** to increase or decrease the dimmer.

Black Out

To black out the lights with the IRC-6:

1. Press **<BLACK OUT>** on the IRC-6.

This will turn off all the lights until the button is pressed again.

NOTE: The IRC-6 will not respond to any inputs when Black Out is activated. If the product does not respond when a button is pressed, try pressing **<BLACK OUT>**. Black Out may have been activated.

Master/Slave Mode

The Master/Slave mode allows a single Kinta HP product (the “master”) to control the actions of one or more Kinta HP products (the “slaves”) without the need of a DMX controller. The master product will be set to operate in either standalone mode or with the IRC-6, while the slave products will be set to operate in slave mode. Once set and connected, the slave products will operate in unison with the master product. Configure the products as indicated below.

Slave products:

1. Press **<MENU>** repeatedly until **3Ch** shows on the display.
2. Press **<ENTER>**.
3. Use **<UP>** or **<DOWN>** to select **A001**.
4. Press **<ENTER>**.
5. Connect the DMX input of the first slave product to the DMX output of the master product.
6. Connect the DMX input of the subsequent slave products to the DMX output of the previous slave product.
7. Finish setting and connecting all the slave products.

Master product:

1. Set the master product to operate in standalone mode or with the IRC-6.
2. Make the master product the first product in the DMX daisy chain.



- **Configure all the slave products before connecting the master to the daisy chain.**
- **Never connect a DMX controller to a DMX string configured for Master/Slave operation because the controller may interfere with the signals from the master.**
- **Do not connect more than 31 slaves to the master.**

5. Maintenance

Product Maintenance

Dust build-up reduces light output performance and can cause overheating. This can lead to reduction of the light source's life and/or mechanical wear. To maintain optimum performance and minimize wear, clean all lighting products at least twice a month. However, be aware that usage and environmental conditions could be contributing factors to increase the cleaning frequency.

To clean the product, follow the instructions below:

1. Unplug the product from power.
2. Wait until the product is at room temperature.
3. Use a vacuum (or dry compressed air) and a soft brush to remove dust collected on the external surface/vents.
4. Clean all transparent surfaces with a mild soap solution, ammonia-free glass cleaner, or isopropyl alcohol.
5. Apply the solution directly to a soft, lint free cotton cloth or a lens cleaning tissue.
6. Softly drag any dirt or grime to the outside of the transparent surface.
7. Gently polish the transparent surfaces until they are free of haze and lint.



Always dry the transparent surfaces carefully after cleaning them.



Do not spin the cooling fans using compressed air because it they could be damaged.

6. Technical Specifications

Dimensions and Weight

Length	Width	Height	Weight
9 in (230 mm)	8.7 in (220 mm)	9.4 in (240 mm)	5.2 lb (2.3 kg)

Note: Dimensions in inches are rounded.

Power

Power Supply Type	Range	Voltage Selection
Switching (internal)	100 to 240 VAC, 50/60 Hz	Auto-ranging

Parameter	120 V, 60 Hz	230 V, 50 Hz
Consumption	34 W	33 W
Operating Current	0.5 A	0.3 A
Power linking current (products)	8 A (16 products)	8 A (29 products)
Fuse	1 A, 250 V	1 A, 250 V

Power I/O	U.S./Worldwide	UK/Europe
Power input connector	IEC	IEC
Power output connector	Edison	IEC
Power Cord plug	Edison (U.S.)	Local Plug

Light Source

Type	Color	Quantity	Power	Current	Lifespan
LED	Quad-color RGBW	1	10 W	3 A	50,000 hours
	Quad-color CMYO	1	10 W	3 A	50,000 hours

Photometrics

Strobe Rate	Coverage Angle
0 to 20 Hz	118°

Thermal

Maximum External Temperature	Cooling System
104 °F (40 °C)	Convection

DMX

I/O Connector	Channel Range
3-pin XLR	3 or 12

Ordering

Product Name	Item Code	UPC Number
Kinta HP	07051794	781462221423



Contact Us

General Information	Technical Support
Chauvet World Headquarters	
Address: 3360 Davie Rd., Suite 509 Davie, FL 33314 Voice: (954) 577-4455 Fax: (954) 929-5560 Toll Free: (800) 762-1084	Voice: (844) 393-7575 Fax: (954) 756-8015 Email: chauvetcs@chauvetlighting.com Website: www.chauvetdj.com
Chauvet U.K.	
Address: Pod 1 EVO Park Little Oak Drive, Sherwood Park Nottinghamshire, NG15 0EB UK Voice: +44 (0) 1773 511115 Fax: +44 (0) 1773 511110	Email: UKtech@chauvetlighting.eu Website: www.chauvetdj.eu
Chauvet Benelux	
Address: Stokstraat 18 9770 Kruishoutem Belgium Voice: +32 9 388 93 97	Email: BNLtech@chauvetlighting.eu Website: www.chauvetdj.eu
Chauvet France	
Address: 3, Rue Ampère 91380 Chilly-Mazarin France Voice: +33 1 78 85 33 59	Email: FRtech@chauvetlighting.fr Website: www.chauvetdj.eu
Chauvet Germany	
Address: Bruno-Bürgel-Str. 11 28759 Bremen Germany Voice: +49 421 62 60 20	Email: DEtech@chauvetlighting.de Website: www.chauvetdj.eu
Chauvet Mexico	
Address: Av. de las Partidas 34 - 3B (Entrance by Calle 2) Zona Industrial Lerma Lerma, Edo. de México, CP 52000 Voice: +52 (728) 690-2010	Email: servicio@chauvet.com.mx Website: www.chauvetdj.mx

Warranty & Returns

For warranty terms and conditions and return information, please visit our website.

For customers in the United States and Mexico: www.chauvetlighting.com/warranty-registration. For customers in the United Kingdom, Republic of Ireland, Belgium, the Netherlands, Luxembourg, France, and Germany: www.chauvetlighting.eu/warranty-registration.