

CORE_{par Q60} ILS

User Manual




CHAUVET **2**

Edition Notes

The COREpar Q60 ILS User Manual includes a description, safety precautions, installation, programming, operation, and maintenance instructions for the COREpar Q60 ILS as of the release date of this edition.

Trademarks

Chauvet, Chauvet DJ, the Chauvet logo, and COREpar are registered trademarks or trademarks of Chauvet & Sons, LLC (d/b/a Chauvet and Chauvet Lighting) in the United States and other countries. Other company and product names and logos referred to herein may be trademarks of their respective companies.

Copyright Notice

The works of authorship contained in this manual, including, but not limited to, all designs, text, and images are owned by Chauvet.

© Copyright 2026 Chauvet & Sons, LLC. All rights reserved.

Electronically published by Chauvet in the United States of America.

Manual Use

Chauvet authorizes its customers to download and print this manual for professional information purposes only. Chauvet expressly prohibits the usage, copy, storage, distribution, modification, or printing of this manual or its content for any other purpose without written consent from Chauvet.

Document Printing

For best results, print this document in color, on letter size paper (8.5 x 11 in), double-sided. If using A4 paper (210 x 297 mm), configure the printer to scale the content accordingly.

Intended Audience

Any person installing, operating, and/or maintaining this product should completely read through the guide that shipped with the product, as well as this manual, before installing, operating, or maintaining this product.

Disclaimer

Chauvet believes that the information contained in this manual is accurate in all respects. However, Chauvet assumes no responsibility and specifically disclaims any and all liability to any party for any loss, damage, or disruption caused by any errors or omissions in this document, whether such errors or omissions result from negligence, accident, or any other cause. Chauvet reserves the right to revise the content of this document without any obligation to notify any person or company of such revision; however, Chauvet has no obligation to make, and does not commit to make, any such revisions.

Document Revision

Go to www.chauvetdj.com for the latest version.

| Revision | Date | Description |
|----------|---------|------------------|
| 1 | 07/2026 | Initial release. |

TABLE OF CONTENTS

| | |
|--|----|
| 1. Before You Begin | 1 |
| What Is Included | 1 |
| Unpacking Instructions | 1 |
| Claims | 1 |
| Text Conventions | 1 |
| Symbols | 1 |
| Safety Notes | 2 |
| 2. Introduction | 3 |
| Product Overview | 3 |
| Product Dimensions | 4 |
| 3. Setup | 5 |
| AC Power | 5 |
| AC Plug | 5 |
| Fuse Replacement | 5 |
| Power Linking | 6 |
| Mounting | 7 |
| Orientation | 7 |
| Rigging | 7 |
| 4. Operation | 8 |
| Control Panel Operation | 8 |
| Menu Map | 8 |
| DMX Configuration | 9 |
| Personality and Starting Address | 9 |
| D-Fi USB Connectivity | 10 |
| D-Fi USB Compatibility | 10 |
| D-Fi USB Configuration | 10 |
| DMX Channel Assignments and Values | 11 |
| DMX Charts | 11 |
| Standalone Configuration | 12 |
| Static Color | 12 |
| Automatic Program | 12 |
| Auto Program Speed | 12 |
| Sound-Active Mode | 12 |
| Sound Sensitivity | 12 |
| Custom Color Mixing | 12 |
| Dimmer Speed | 13 |
| IRC-6 Infrared Remote Control | 14 |
| D-Fi USB Master/Slave Mode | 15 |
| ILS Mode | 15 |
| 5. Maintenance | 16 |
| Product Maintenance | 16 |
| 6. Technical Specifications | 17 |
| Contact Us | 18 |
| Warranty & Returns | 18 |

1. Before You Begin

What Is Included

- COREpar Q60 ILS
- Power cable
- Magnetic lens
- Quick Reference Guide

Unpacking Instructions

Carefully unpack the product immediately and check the container to make sure all the parts are in the package and are in good condition.

Claims





If the box or the contents (the product and included accessories) appear damaged from shipping, or show signs of mishandling, notify the carrier immediately, not Chauvet. Failure to report damage to the carrier immediately may invalidate a claim. In addition, keep the box and contents for inspection.

For other issues, such as missing components or parts, damage not related to shipping, or concealed damage, file a claim with Chauvet within 7 days of delivery.

Text Conventions

| Convention | Meaning |
|----------------------|--|
| 1–512 | A range of values |
| 50/60 | A set of values of which only one can be chosen |
| Settings | A menu option not to be modified |
| <ENTER> | A key to be pressed on the product’s control panel |
| ON | A value to be entered or selected |

Symbols

| Symbol | Meaning |
|---|---|
|  | Electrical warning. Not following these instructions may cause electrical damage to the product, accessories, or the user. |
|  | Critical installation, configuration, or operation information. Not following these instructions may make the product not work, cause damage to the product, or cause harm to the operator. |
|  | Important installation or configuration information. The product may not function correctly if this information is not used. |
|  | Useful information. |

Safety Notes

These Safety Notes include important information about installation, use, and maintenance of the COREpar Q60 ILS.



- **ALWAYS:**

- ◆ Connect to a grounded circuit.
- ◆ Connect to operating voltages as specified on the product's spec sticker.
- ◆ Disconnect from power before replacing the fuse.
- ◆ Disconnect from its power source during periods of inactivity.
- ◆ Use a safety cable when suspending overhead.
- ◆ Heed all restrictions and warnings on the spec sticker.
- ◆ Mount in a location with at least 20 in (50 cm) of ventilation.
- ◆ Replace the fuse with the same type and rating.
- ◆ Use a clamp with a captive bolt when a single hanging bracket is used.

- In the event of a serious operating problem, stop using immediately.

- **DO NOT:**

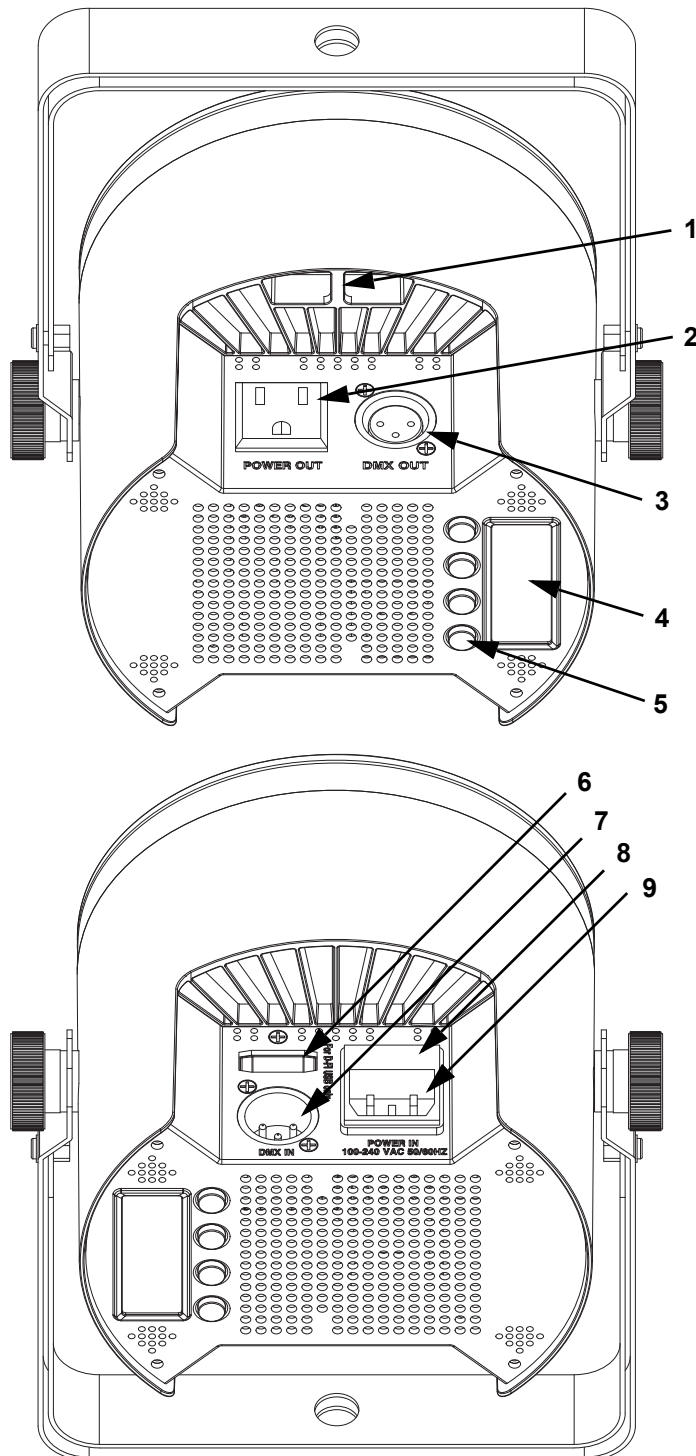
- ◆ Open this product or attempt any repairs. It contains no user-serviceable parts.
- ◆ Look at the light source when the product is on.
- ◆ Use if the power cable is crimped or damaged.
- ◆ Disconnect by pulling on the power cable.
- ◆ Allow flammable materials close to the product when it is operating.
- ◆ Touch the housing when it is on.
- ◆ Block any ventilation holes/slots in the housing.
- ◆ Connect to a dimmer or rheostat.
- ◆ Carry the product by its power cable.
- ◆ Operate in temperatures higher than 104°F (40°C).
- ◆ Expose to environments that exceed the Ingress Protection (IP) rating.
- ◆ Expose to rain or moisture.
- ◆ Use outdoors.
- ◆ Submerge.
- ◆ Leave outdoors for extended periods of time.
- ◆ Expose to corrosive environmental conditions such as temperature, humidity, salinity, pressure, radiation, or shock.
- ◆ Set this product on a flammable surface.



Keep this User Manual for future use. If the product is sold to someone else, be sure that they also receive this document.

2. Introduction

Product Overview

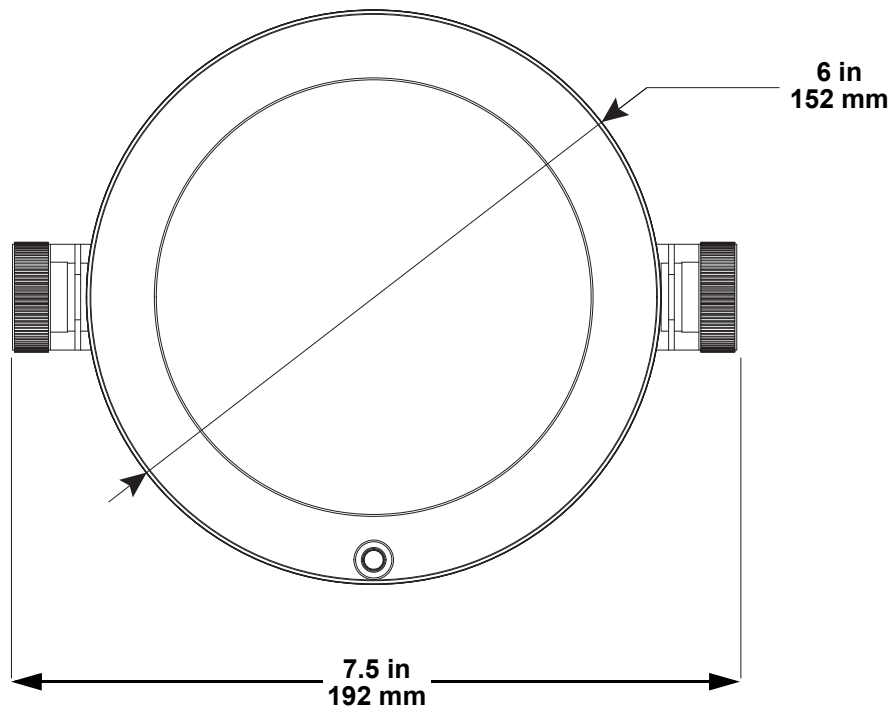
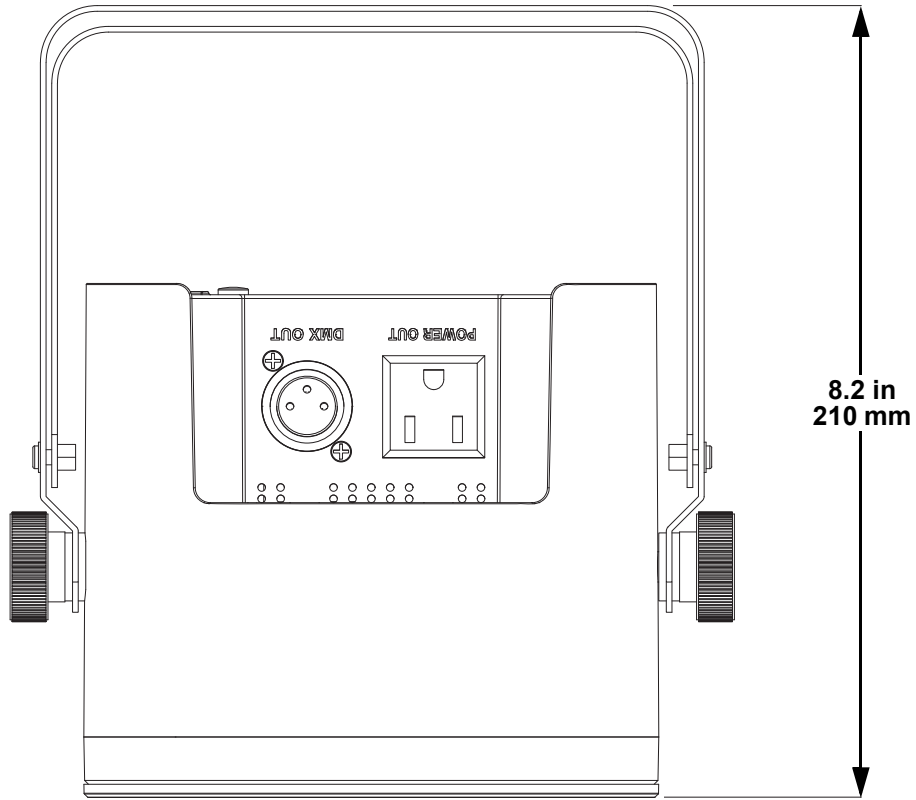


| # | Name |
|---|---------------------|
| 1 | Safety pass-through |
| 2 | Power out |
| 3 | DMX out |
| 4 | Display |
| 5 | Menu buttons |
| 6 | USB port |
| 7 | DMX in |
| 8 | Fuse holder |
| 9 | Power in |



WARNING! DO NOT plug anything other than a D-Fi USB into the USB type B port. Doing so may cause damage to the product.

Product Dimensions



3. Setup

AC Power

The COREpar Q60 ILS has an auto-ranging power supply and it can work with an input voltage range of 100 to 240 VAC, 50/60 Hz.

To determine the product's power requirements (circuit breaker, power outlet, and wiring), use the current value listed on the label affixed to the product's back panel, or refer to the product's specifications chart. The listed current rating indicates the product's average current draw under normal conditions.



- **Always connect the product to a protected circuit (a circuit breaker or fuse). Make sure the product has an appropriate electrical ground to avoid the risk of electrocution or fire.**
- **To eliminate unnecessary wear and improve its lifespan, during periods of non-use completely disconnect the product from power via breaker or by unplugging it.**



Never connect the product to a rheostat (variable resistor) or dimmer circuit, even if the rheostat or dimmer channel serves only as a 0 to 100% switch.

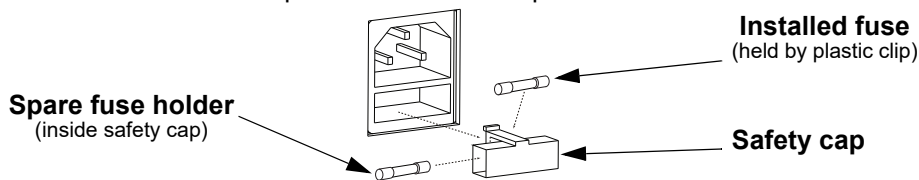
AC Plug

This product can be connected to a dimmer or rheostat, by plugging in to a standard outlet controlled by a dimmer or rheostat, or by splicing the power cable and connecting to the included track adapter.

| Connection | Wire (U.S.) | Wire (Europe) | Screw Color |
|------------|--------------|---------------|--------------|
| AC Live | Black | Brown | Yellow/Brass |
| AC Neutral | White | Blue | Silver |
| AC Ground | Green/Yellow | Green/Yellow | Green/Silver |

Fuse Replacement

1. Disconnect the product from power.
2. Wedge the tip of a flat-head screwdriver into the slot of the fuse holder.
3. Pry the fuse holder out of the housing.
4. Remove the blown fuse from the holder and replace with a fuse of the exact same type and rating.
5. Insert the fuse holder back in place and reconnect power.



Disconnect the product from the power outlet before replacing the fuse.

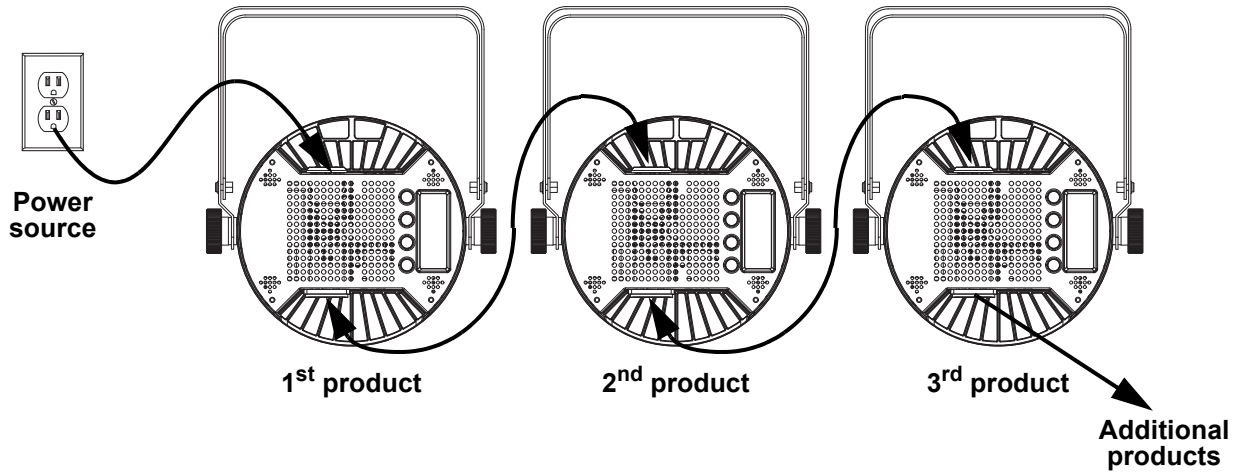


Always replace a blown fuse with one of the same type and rating.

Power Linking

This product provides power linking via the outlet located in the back of the product. See the diagram below for further explanation.

Power Linking Diagram



It is possible to link up to 9 COREpar Q60 ILS products on 120 VAC or up to 17 products on 230 VAC.



The power linking diagram shown above corresponds to the North American version of the product ONLY! If using the product in other markets, consult with the local Chauvet distributor as power linking connectors and requirements may differ by country or region.

Mounting

Before mounting the product, read and follow the safety recommendations indicated in the [Safety Notes](#).

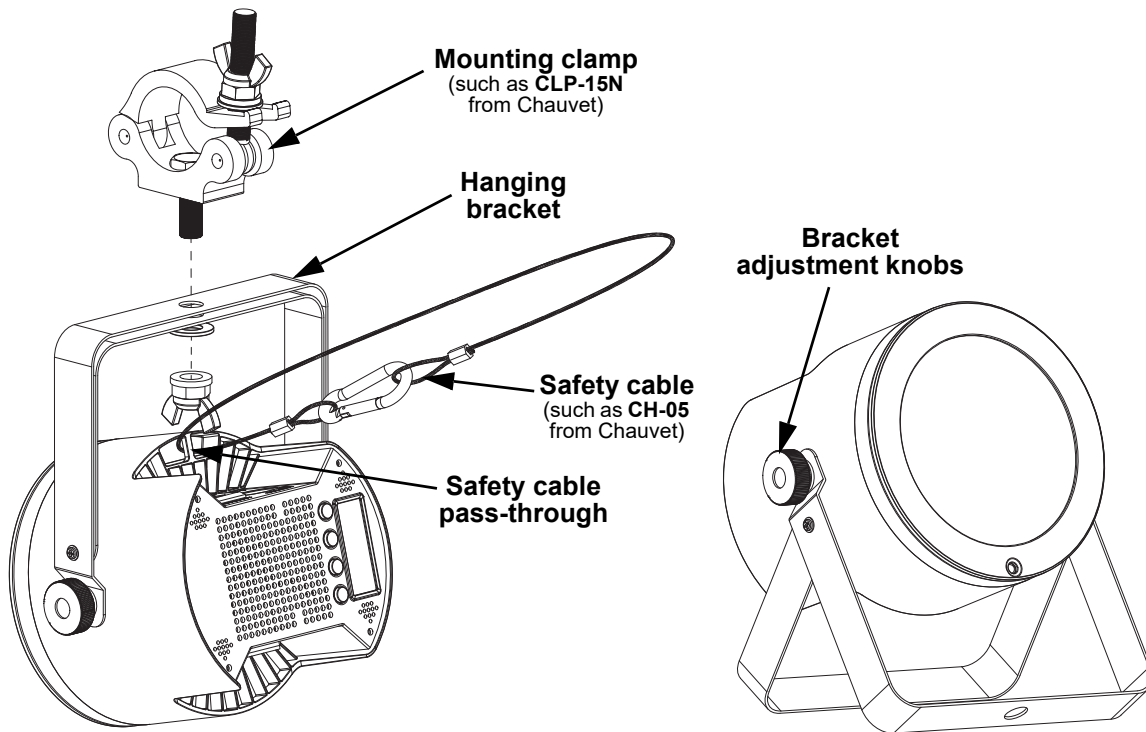
Orientation

The COREpar Q60 ILS may be mounted in any position; however, make sure adequate ventilation is provided around the product.

Rigging

- Before deciding on a location for the product, always make sure there is easy access to the product for maintenance and programming.
- Make sure that the structure and attachment points can support the weight before hanging the product (see the [Technical Specifications](#) section for weight information).
- When mounting the product overhead, always use a safety cable. Mount the product securely to a rigging point, such as an elevated platform or a truss.
- When rigging the product onto a truss, use a mounting clamp of appropriate weight capacity. The bracket has a 13-mm hole, which is appropriate for this purpose.
- The bracket adjustment knobs allow for directional adjustment when aiming the product to the desired angle. Only loosen or tighten the bracket knobs manually. Using tools could damage the knobs.
- When power linking multiple products, mount the products close enough for power linking cables to reach.
- When mounting the product on the floor, make sure that the product and cables are away from people and vehicles.

Mounting Diagram



To prevent accidental loosening when using a single mounting clamp, be sure to use a clamp with a captive bolt.

4. Operation

Control Panel Operation

To access the control panel functions, use the four buttons located underneath the display. Please refer to the [Product Overview](#) to see the button locations on the control panel.

| Button | Function |
|---------|--|
| <MENU> | Exits from the current menu or function |
| <UP> | Navigates upwards through the menu list and increases the numeric value when in a function |
| <DOWN> | Navigates downwards through the menu list and decreases the numeric value when in a function |
| <ENTER> | Enables the currently displayed menu or sets the currently selected value into the selected function |

Menu Map

Refer to the COREpar Q60 ILS product page on www.chauvetdj.com for the latest menu map and software.

| Main Level | Programming Levels | Description | | |
|------------------------------|--------------------|---|-----------------------------------|---------------|
| 4-Ch | d 1-509 | 4-channel DMX mode | | |
| 9-Ch | d 1-504 | 9-channel DMX mode | | |
| iLS | iLS 1-2 | Sets ILS mode | | |
| C-- (Static color) | C 1-29 | 1: Red 9: Mint Green 17: Lime 25: 2700K | | |
| | | 2: Green 10: High Power White 18: Ocean 26: 3500K | | |
| | | 3: Blue 11: Sol 19: Baby Pink 27: 4000K | | |
| | | 4: White 12: Seafoam 20: Goldenrod 28: 5000K | | |
| | | 5: Yellow 13: Turquoise 21: Sky 29: 6000K | | |
| | | 6: Magenta 14: Orange 22: Lavender | | |
| | | 7: Light Pink 15: Baby Blue 23: Faded Orange | | |
| | | 8: Cyan 16: Hot Pink 24: Fuschia | | |
| | | P-- (Automatic program) | P 1 | 4-color snap |
| | | | P 2 | 4-color pulse |
| P 3 | 29-color snap | | | |
| P 4 | 29-color pulse | | | |
| S-- | S. 1-100 | Automatic program speed | | |
| Snd (Sound-active) | Snd1 | 4-color snap | | |
| | Snd2 | 29-color snap | | |
| SEnS | U. 0-100 | Sound sensitivity | | |
| U-- (Custom color) | r. 0-255 | Combine red, green, blue, and white to create a custom static color | | |
| | g. 0-255 | | | |
| | b. 0-255 | | | |
| | w. 0-255 | | | |
| diN (Dimmer speed) | oFF | Sets the dimmer speed from diN1 (fastest) to diN3 (slowest) | | |
| | diN1 | | | |
| | diN2 | | | |
| | diN3 | | | |
| SEt (Infrared) | ir | on | Enables/disables infrared control | |
| | | off | | |
| | rESt | yes | Reset to factory default | |
| | | no | | |
| Temp | — | Shows the temperature | | |

DMX Configuration

The COREpar Q60 ILS works with a DMX controller. Information about DMX is in the Chauvet DMX Primer, which is available from the Chauvet website

chauvetlighting.com/downloads/DMX_Primer_rev05_WO.pdf.

Personality and Starting Address

The COREpar Q60 ILS uses up to 9 DMX channels in the **9-Ch** DMX mode, which defines the highest configurable/recommended address to **504**.

When selecting a starting DMX address, always consider the number of DMX channels the DMX mode uses. If the starting address is set too high, access to some channels could be restricted.

For information about the DMX protocol, download the DMX Primer from www.chauvetdj.com.

To select the personality and starting address, do the following:

1. Press **<MENU>** repeatedly until **4-Ch** or **9-Ch** shows on the display.
2. Press **<ENTER>**.
3. Use **<UP>** or **<DOWN>** to select the starting address, from **001–509**.
4. Press **<ENTER>**.

D-Fi USB Connectivity

The COREpar Q60 ILS is able to become a D-Fi wireless receiver/transmitter with the use of the D-Fi USB from Chauvet DJ. Simply set the product's DMX Personality and DMX Address, set the DIP switch D-Fi receiving/transmitting channel, then plug it into the D-Fi USB port.



WARNING! DO NOT plug anything other than a D-Fi USB into the USB type B port. Doing so may cause damage to the product.



Once plugged in, the D-Fi USB will take over the product. Wired DMX and manual display control / menu buttons will be unavailable until the D-Fi USB is unplugged. The priority levels are:

1. D-Fi USB
2. Wired DMX
3. Manual Digital Display/Menu Buttons

D-Fi USB Compatibility

The D-Fi USB can receive a DMX signal from the D-Fi Hub and the FlareCON Air 2 as well as other D-Fi USB products.

D-Fi USB Configuration

1. Set the DMX Personality and DMX address on the COREpar Q60 ILS.
2. Use the Chart provided to set **BOTH**:
 - the Channel, and then
 - The Receiving or Transmitting option

NOTE: DIP Switch 5 is for Transmitting OR Receiving, please choose carefully.

D-Fi USB DIP Switch Channels

| Receiving | | | | | | Receiving | | | | | | Transmitting | | | | | | Transmitting | | | | | |
|-----------|---|---|---|---|-----|-----------|---|---|---|---|-----|--------------|---|---|---|---|-----|--------------|---|---|---|---|-----|
| Ch. | 1 | 2 | 3 | 4 | T/R | Ch. | 1 | 2 | 3 | 4 | T/R | Ch. | 1 | 2 | 3 | 4 | T/R | Ch. | 1 | 2 | 3 | 4 | T/R |
| 1 | █ | █ | █ | █ | █ | 9 | █ | █ | █ | █ | █ | 1 | █ | █ | █ | █ | █ | 9 | █ | █ | █ | █ | █ |
| 2 | █ | █ | █ | █ | █ | 10 | █ | █ | █ | █ | █ | 2 | █ | █ | █ | █ | █ | 10 | █ | █ | █ | █ | █ |
| 3 | █ | █ | █ | █ | █ | 11 | █ | █ | █ | █ | █ | 3 | █ | █ | █ | █ | █ | 11 | █ | █ | █ | █ | █ |
| 4 | █ | █ | █ | █ | █ | 12 | █ | █ | █ | █ | █ | 4 | █ | █ | █ | █ | █ | 12 | █ | █ | █ | █ | █ |
| 5 | █ | █ | █ | █ | █ | 13 | █ | █ | █ | █ | █ | 5 | █ | █ | █ | █ | █ | 13 | █ | █ | █ | █ | █ |
| 6 | █ | █ | █ | █ | █ | 14 | █ | █ | █ | █ | █ | 6 | █ | █ | █ | █ | █ | 14 | █ | █ | █ | █ | █ |
| 7 | █ | █ | █ | █ | █ | 15 | █ | █ | █ | █ | █ | 7 | █ | █ | █ | █ | █ | 15 | █ | █ | █ | █ | █ |
| 8 | █ | █ | █ | █ | █ | 16 | █ | █ | █ | █ | █ | 8 | █ | █ | █ | █ | █ | 16 | █ | █ | █ | █ | █ |

DMX Channel Assignments and Values

DMX Charts

| 4-Ch | 9-Ch | Function | Value | Percent/Setting |
|------|------|---|---|---|
| 1 | 1 | Red | 000 ⇔ 255 | 0–100% |
| 2 | 2 | Green | 000 ⇔ 255 | 0–100% |
| 3 | 3 | Blue | 000 ⇔ 255 | 0–100% |
| 4 | 4 | White | 000 ⇔ 255 | 0–100% |
| – | 5 | Color macros | 000 ⇔ 010 | No function |
| | | | 011 ⇔ 255 | Color macros |
| – | 6 | Strobe (when Ch 7 is 000 ⇔ 031) | 000 ⇔ 015 | No function |
| | | | 016 ⇔ 255 | Strobe, slow to fast |
| | | Program speed (when Ch 7 is 032 ⇔ 223) | 000 ⇔ 255 | Program speed, slow to fast |
| | | | Sound sensitivity (when Ch 7 is 224 ⇔ 255) | 000 ⇔ 255 |
| | | 000 ⇔ 255 | | Sound sensitivity, low to high |
| – | 7 | Auto program | 000 ⇔ 031 | No function |
| | | | 032 ⇔ 063 | Pulse effect, 0–100% (when Ch 1–4 are active) |
| | | | 064 ⇔ 095 | Pulse effect, 100–0% (when Ch 1–4 are active) |
| | | | 096 ⇔ 127 | Pulse effect, 100–0–100% (when Ch 1–4 are active) |
| | | | 128 ⇔ 159 | Automatic 4-color pulse |
| | | | 160 ⇔ 191 | Automatic 4-color snap |
| | | | 192 ⇔ 223 | Automatic 29-color snap |
| | | | 224 ⇔ 255 | Sound-active 29-color snap |
| – | 8 | Dimmer | 000 ⇔ 255 | 0–100% |
| – | 9 | Dimmer speed | 000 ⇔ 051 | Dimmer speed set from display menu |
| | | | 052 ⇔ 101 | Dimmer speed mode off |
| | | | 102 ⇔ 152 | Dimmer speed mode 1 (fast) |
| | | | 153 ⇔ 203 | Dimmer speed mode 2 (medium) |
| | | | 204 ⇔ 255 | Dimmer speed mode 3 (slow) |

Standalone Configuration

Set the product in one of the standalone modes to operate without a DMX controller.



Never connect a product that is operating in any standalone mode to a DMX string connected to a DMX controller. Products in standalone mode may transmit DMX signals that could interfere with the DMX signals from the controller.

Static Color

To run the COREpar Q60 ILS with a static color:

1. Press **<MENU>** repeatedly until **C--** shows on the display.
2. Press **<ENTER>**.
3. Use **<UP>** or **<DOWN>** to select the desired color from **C1–29**.
4. Press **<ENTER>**.

Automatic Program

To run the COREpar Q60 ILS with an automatic program:

1. Press **<MENU>** repeatedly until **P--** shows on the display.
2. Press **<ENTER>**.
3. Use **<UP>** or **<DOWN>** to select the desired color from **P1-4**.
4. Press **<ENTER>**.

Auto Program Speed

To set the speed of the automatic program:

1. Press **<MENU>** repeatedly until **S--** shows on the display.
2. Press **<ENTER>**.
3. Use **<UP>** or **<DOWN>** to increase or decrease the auto program speed, from **S1–S100**.
4. Press **<ENTER>**.

Sound-Active Mode

To run the COREpar Q60 ILS with a sound-active program:

1. Press **<MENU>** repeatedly until **Snd** shows on the display.
2. Press **<ENTER>**.
3. Use **<UP>** or **<DOWN>** to select the desired sound-active program from **Snd1** (4-color snap) or **Snd2** (29-color snap).
4. Press **<ENTER>**.

Sound Sensitivity

To set the sound sensitivity of the product, do the following:

1. Press **<MENU>** repeatedly until **SEnS** shows on the display.
2. Press **<ENTER>**.
3. Use **<UP>** or **<DOWN>** to increase or decrease the sound sensitivity, from **u0–100**.
4. Press **<ENTER>**.



The product will only respond to low frequencies of music (bass and drums).

Custom Color Mixing

To run the COREpar Q60 ILS with a custom static color, follow the instructions below.

1. Press **<MENU>** repeatedly until **U--** shows on the display.
2. Press **<ENTER>**.
3. Press **<ENTER>** to cycle through the options, **r_ _ _** (red), **G_ _ _** (green), **b_ _ _** (blue), **U_ _ _** (white).
4. Use **<UP>** or **<DOWN>** to increase or decrease the selected value from **000–255**.
5. Repeat steps 3-4 until the product output is set as desired.

Dimmer Speed

To set the dimmer speed for the COREpar Q60 ILS:

1. Press **<MENU>** repeatedly until **diN** shows on the display.
2. Press **<ENTER>**.
3. Use **<UP>** or **<DOWN>** to select from **oFF**, **diN1** (fastest), **diN2** (moderate), or **diN** (slowest).
4. Press **<ENTER>**.

IRC-6 Infrared Remote Control

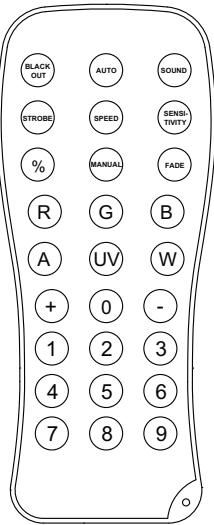
The COREpar Q60 ILS is compatible with the IRC-6 infrared remote control from Chauvet.

To enable or disable IRC-6 functionality, do the following:

1. Press **<MENU>** repeatedly until **SEt** shows on the display.
2. Press **<ENTER>**.
3. Press **<ENTER>** to select from **on** (enable), or **oFF** (disable).
4. Press **<ENTER>**.

Consult the table below to operate the COREpar Q60 ILS with the IRC-6.

| IRC-6 | Button | Function |
|-------|----------------------------|---|
| | <AUTO> | Press to activate automatic mode, then use <+> or <-> to select a program |
| | <SPEED> | Press then use <+> or <-> to increase or decrease speed |
| | <SOUND> | Press to activate sound-active mode, then use <+> or <-> to select a program |
| | <SENSITIVITY> | Press then use <+> or <-> to increase or decrease sensitivity |
| | <STROBE> | Press to toggle strobe, then use <+> or <-> to increase or decrease strobe speed |
| | <%> | Press then use <+> or <-> to increase or decrease the dimmer |
| | <FADE> | Press to activate fade mode, then use <+> or <-> to select a fading program |
| | <MANUAL> | Press to enable manual color control |
| | <R> | Press then use <+> or <-> to increase or decrease the red value |
| | <G> | Press then use <+> or <-> to increase or decrease the green value |
| | | Press then use <+> or <-> to increase or decrease the blue value |
| | <A> | Press then use <+> or <-> to increase or decrease the amber value |
| | <W> | Press then use <+> or <-> to increase or decrease the white value |
| | <+> | Press to increase speed, sensitivity, or the dimmer/color value, or to scroll up the list of programs |
| | <-> | Press to decrease speed, sensitivity, or the dimmer/color value, or to scroll down the list of programs |
| | <0>-<9> | Press to select a preset static color |
| | <BLACK OUT> | Press to turn off all the lights until the button is pressed again. NOTE: The IRC-6 will not respond to any inputs when Black Out is activated. If the product does not respond when a button is pressed, try pressing <BLACK OUT> . Black Out may have been activated. |



- Any setting on the IRC-6 will be saved until the system is rebooted. The system will revert to Auto Mode after reboot.
- The buttons on the IRC-6 not listed above are reserved for future use.

D-Fi USB Master/Slave Mode

The D-Fi USB allows a single COREpar Q60 ILS product (the “master”) to control the actions of one or more COREpar Q60 ILS products (the “slaves”) without the need of a DMX controller or DMX cables. The master (transmitter) product will be set to operate in standalone mode, while the slave (receiver) products will be set to operate in slave mode. Once set and connected, the slave products will operate in unison with the master product.

Configure the products as indicated below.

Slave products:

1. Press **<MENU>** repeatedly until **9-Ch** shows on the display.
2. Press **<ENTER>**.
3. Use **<UP>** or **<DOWN>** to set the starting address to **d 1**.
4. Press **<ENTER>**.
5. Set the D-Fi USB to receive on a specific channel, 1–16.
6. Plug in the D-Fi USB.
7. Finish setting and connecting all the slave products.

Master product:

1. Set the master product to operate in standalone mode.
2. Set the D-Fi USB to transmit on the D-Fi channel the slaves are receiving on.
3. Plug in the D-Fi USB.



- **All products must be set to the same DMX personality, DMX address, and D-Fi channel.**
- **Configure all the slave products before configuring the master to transmit.**
- **Never connect a DMX controller to a D-Fi channel configured for Master/Slave operation because the controller may interfere with the signals from the master.**

ILS Mode

ILS (Integrated Lighting System) provides 2 modes that synchronize with the GigBAR MOVE+ILS: Mode 1 synchronizes with side 1 of the GigBAR MOVE+ILS, whereas mode 2 synchronizes with side 2 of the GigBAR MOVE+ILS. When linked, effects will sync with the most similar effect on the selected side of the GigBAR MOVE+ILS: Kinta effects will sync with one of the kintas, moving heads will sync with one of the moving heads, and wash effects will sync with one of the pars. Laser effects will sync with the laser, and strobe effects will sync with the strobe effects regardless of ILS mode.

This product will synchronize with the par effect on the selected side of the GigBAR MOVE+ILS.

To set the COREpar Q60 ILS to respond to an ILS signal:

1. Press **<MENU>** repeatedly until **iLS** shows on the display.
2. Use **<UP>** or **<DOWN>** to select from **iLS1** (side 1) or **iLS2** (side 2).
3. Press **<ENTER>**.

5. Maintenance

Product Maintenance

Dust build-up reduces light output performance and can cause overheating. This can lead to reduction of the light source's life and/or mechanical wear. To maintain optimum performance and minimize wear, clean all lighting products at least twice a month. However, be aware that usage and environmental conditions could be contributing factors to increase the cleaning frequency.

To clean the product, follow the instructions below:

1. Unplug the product from power.
2. Wait until the product is at room temperature.
3. Use a vacuum (or dry compressed air) and a soft brush to remove dust collected on the external surface/vents.
4. Clean all transparent surfaces with a mild soap solution, ammonia-free glass cleaner, or isopropyl alcohol.
5. Apply the solution directly to a soft, lint free cotton cloth or a lens cleaning tissue.
6. Softly drag any dirt or grime to the outside of the transparent surface.
7. Gently polish the transparent surfaces until they are free of haze and lint.



Always dry the transparent surfaces carefully after cleaning them.



Do not spin the cooling fans using compressed air because they could be damaged.

6. Technical Specifications

Dimensions and Weight

| Length | Width | Height | Weight |
|-----------------|---------------|-----------------|-----------------|
| 7.5 in (192 mm) | 6 in (152 mm) | 8.2 in (210 mm) | 3.4 lb (1.5 kg) |

Note: Dimensions in inches are rounded.

Power

| Power Supply Type | Range | Voltage Selection |
|----------------------|--------------------------|-------------------|
| Switching (internal) | 100 to 240 VAC, 50/60 Hz | Auto-ranging |

| Parameter | 120 V, 60 Hz | 230 V, 50 Hz |
|----------------------------------|-------------------|--------------------|
| Consumption | 59 W | 57 W |
| Operating Current | 0.8 A | 0.5 A |
| Power linking current (products) | 12 A (9 products) | 12 A (17 products) |
| Fuse | T2.5LA, 250 V | T2.5LA, 250 V |

| Power I/O | U.S./Worldwide | UK/Europe |
|------------------------|----------------|------------|
| Power input connector | IEC | IEC |
| Power output connector | Edison | IEC |
| Power cable plug | Edison (U.S.) | Local Plug |

Light Source

| Type | Color | Quantity | Power | Current | Lifespan |
|---------|-------|----------|-------|---------|--------------|
| COB LED | RGBW | 1 | 60 W | 2.8 A | 50,000 hours |

Photometrics

| Beam Angle | Field Angle | Beam Angle (with lens) | Field Angle (with lens) |
|------------|-------------|------------------------|-------------------------|
| 74° | 100° | 20° | 30° |

| Illuminance @ 2m | Illuminance @2m (with lens) | Color Temperature Range | Strobe Rate |
|------------------|-----------------------------|-------------------------|-------------|
| 320 lux | 2,796 lux | 2700 – 6000K | 0 – 29 hz |

Thermal

| Maximum External Temperature | Cooling System |
|------------------------------|----------------|
| 104 °F (40 °C) | Convection |

DMX

| I/O Connector | Channel Range |
|---------------|---------------|
| 3-pin XLR | 4 or 9 |

Ordering

| Product Name | Item Code | UPC Number |
|-----------------|-----------|--------------|
| COREpar Q60 ILS | 10031883 | 781462222314 |



Contact Us

| General Information | Technical Support |
|---|--|
| Chauvet World Headquarters | |
| Address: 3360 Davie Rd., Suite 509 Davie, FL 33314 Voice: (954) 577-4455 Fax: (954) 929-5560 Toll Free: (800) 762-1084 | Voice: (844) 393-7575 Fax: (954) 756-8015 Email: chauvetcs@chauvetlighting.com Website: www.chauvetdj.com |
| Chauvet U.K. | |
| Address: Pod 1 EVO Park Little Oak Drive, Sherwood Park Nottinghamshire, NG15 0EB UK Voice: +44 (0) 1773 511115 Fax: +44 (0) 1773 511110 | Email: UKtech@chauvetlighting.eu Website: www.chauvetdj.eu |
| Chauvet Benelux | |
| Address: Vaartlaan 9 9800 Deinze Belgium Voice: +32 9 388 93 97 | Email: BNLtech@chauvetlighting.eu Website: www.chauvetdj.eu |
| Chauvet France | |
| Address: 3, Rue Ampère 91380 Chilly-Mazarin France Voice: +33 1 78 85 33 59 | Email: FRtech@chauvetlighting.fr Website: www.chauvetdj.eu |
| Chauvet Germany | |
| Address: Bruno-Bürgel-Str. 11 28759 Bremen Germany Voice: +49 421 62 60 20 | Email: DEtech@chauvetlighting.de Website: www.chauvetdj.eu |
| Chauvet Mexico | |
| Address: Av. de las Partidas 34 - 3B (Entrance by Calle 2) Zona Industrial Lerma Lerma, Edo. de México, CP 52000 Voice: +52 (728) 690-2010 | Email: servicio@chauvet.com.mx Website: www.chauvetdj.mx |

Warranty & Returns

For warranty terms and conditions and return information, please visit our website.

For customers in the United States and Mexico: www.chauvetlighting.com/warranty-registration.

For customers in the United Kingdom, Republic of Ireland, Belgium, the Netherlands, Luxembourg, France, and Germany: www.chauvetlighting.eu/warranty-registration.