

INTIMIDATOR SPOT 375ZX

User Manual



Edition Notes

The Intimidator Spot 375ZX User Manual includes a description, safety precautions, installation, programming, operation, and maintenance instructions for the Intimidator Spot 375ZX as of the release date of this edition.

Trademarks

Chauvet, Chauvet DJ, the Chauvet logo, and Intimidator are registered trademarks or trademarks of Chauvet & Sons, LLC (d/b/a Chauvet and Chauvet Lighting) in the United States and other countries. Other company and product names and logos referred to herein may be trademarks of their respective companies.

Copyright Notice

The works of authorship contained in this manual, including, but not limited to, all designs, text, and images are owned by Chauvet.

© Copyright 2024 Chauvet & Sons, LLC. All rights reserved.

Electronically published by Chauvet in the United States of America.

Manual Use

Chauvet authorizes its customers to download and print this manual for professional information purposes only. Chauvet expressly prohibits the usage, copy, storage, distribution, modification, or printing of this manual or its content for any other purpose without written consent from Chauvet.

Document Printing

For best results, print this document in color, on letter size paper (8.5 x 11 in), double-sided. If using A4 paper (210 x 297 mm), configure the printer to scale the content accordingly.

Intended Audience

Any person installing, operating, and/or maintaining this product should completely read through the guide that shipped with the product, as well as this manual, before installing, operating, or maintaining this product.

Disclaimer

Chauvet believes that the information contained in this manual is accurate in all respects. However, Chauvet assumes no responsibility and specifically disclaims any and all liability to any party for any loss, damage, or disruption caused by any errors or omissions in this document, whether such errors or omissions result from negligence, accident, or any other cause. Chauvet reserves the right to revise the content of this document without any obligation to notify any person or company of such revision; however, Chauvet has no obligation to make, and does not commit to make, any such revisions.

Document Revision

Go to www.chauvetdj.com for the latest version.

| Revision | Date | Description |
|----------|---------|----------------------|
| 2 | 03/2024 | Corrected gobo sizes |

TABLE OF CONTENTS

- 1. Before You Begin** 1
 - What Is Included 1
 - Unpacking Instructions 1
 - Claims 1
 - Text Conventions 1
 - Symbols 1
 - Safety Notes 2
 - RF Exposure Warning for North America and Australia 2
- 2. Introduction** 3
 - Product Overview 3
 - Product Dimensions 4
- 3. Setup** 5
 - AC Power 5
 - Fuse Replacement 5
 - Power Linking 5
 - Mounting 6
 - Orientation 6
 - Rigging 6
 - Gobos 7
 - Gobo- Rotating Gobo Wheel 7
 - Rotating Gobo Dimensions 7
 - Gobo Replacement 8
 - Procedure 8
 - Gobo Replacement Diagrams 8
- 4. Operation** 9
 - Control Panel Operation 9
 - Menu Map 9
 - DMX Configuration 11
 - Starting Address 11
 - DMX Personalities 11
 - DMX Charts 12
 - Standalone Configuration 15
 - Automatic Programs 15
 - Sound-Active Mode 15
 - Manual Mode 15
 - Settings Configuration 16
 - Pan Reverse 16
 - Tilt Reverse 16
 - Screen Reverse 16
 - Pan Angle 16
 - Tilt Angle 16
 - Totem Mode 16
 - Sensitivity 17
 - DMX Loss 17
 - Indicator 17
 - Flash if DMX 17
 - Reset 17
 - Factory Reset 17
 - System Information 18
 - Master/Slave Mode 18
 - RFC Remote Control 18
 - RFC Remote Control Operation 19
- 5. Maintenance** 20
 - Product Maintenance 20

| | |
|---|-----------|
| Gobo Maintenance..... | 20 |
| 6. Technical Specifications..... | 21 |
| Contact Us..... | 22 |
| Warranty & Returns..... | 22 |

1. Before You Begin

What Is Included

- Intimidator Spot 375ZX
- Power cable
- Hanging bracket
- Quick Reference Guide

Unpacking Instructions

Carefully unpack the product immediately and check the container to make sure all the parts are in the package and are in good condition.

Claims





If the box or the contents (the product and included accessories) appear damaged from shipping, or show signs of mishandling, notify the carrier immediately, not Chauvet. Failure to report damage to the carrier immediately may invalidate a claim. In addition, keep the box and contents for inspection.

For other issues, such as missing components or parts, damage not related to shipping, or concealed damage, file a claim with Chauvet within 7 days of delivery.

Text Conventions


| Convention | Meaning |
|----------------------|--|
| 1–512 | A range of values |
| 50/60 | A set of values of which only one can be chosen |
| Settings | A menu option not to be modified |
| <ENTER> | A key to be pressed on the product’s control panel |
| ON | A value to be entered or selected |

Symbols

| Symbol | Meaning |
|---|---|
|  | Electrical warning. Not following these instructions may cause electrical damage to the product, accessories, or the user. |
|  | Critical installation, configuration, or operation information. Not following these instructions may make the product not work, cause damage to the product, or cause harm to the operator. |
|  | Important installation or configuration information. The product may not function correctly if this information is not used. |
|  | Useful information. |

Safety Notes

These Safety Notes include important information about installation, use, and maintenance of the Intimidator Spot 375ZX .

- 
 - **ALWAYS:**
 - ◆ Connect to a grounded circuit.
 - ◆ Connect to operating voltages as specified on the product's spec sticker.
 - ◆ Disconnect from power before replacing the fuse.
 - ◆ Disconnect from its power source during periods of inactivity.
 - ◆ Use a safety cable when suspending overhead.
 - ◆ Heed all restrictions and warnings on the spec sticker.
 - ◆ Mount in a location with at least 20 in (50 cm) of ventilation.
 - ◆ Replace the fuse with the same type and rating.
 - ◆ Use a clamp with a captive bolt when a single hanging bracket is used.
 - In the event of a serious operating problem, stop using immediately.
 - **DO NOT:**
 - ◆ Open this product or attempt any repairs. It contains no user-serviceable parts.
 - ◆ Look at the light source when the product is on.
 - ◆ Use if the power cord is crimped or damaged.
 - ◆ Disconnect by pulling on the power cord.
 - ◆ Allow flammable materials close to the product when it is operating.
 - ◆ Touch the housing when it is on.
 - ◆ Block any ventilation holes/slots in the housing.
 - ◆ Connect to a dimmer or rheostat.
 - ◆ Carry the product by its power cord.
 - ◆ Operate in temperatures higher than 104°F (40°C).
 - ◆ Expose to environments that exceed the Ingress Protection (IP) rating.
 - ◆ Expose to rain or moisture.
 - ◆ Use outdoors.
 - ◆ Submerge
 - ◆ Leave outdoors for extended periods of time.
 - ◆ Expose to corrosive environmental conditions such as temperature, humidity, salinity, pressure, radiation, or shock.
 - ◆ Set this product on a flammable surface.



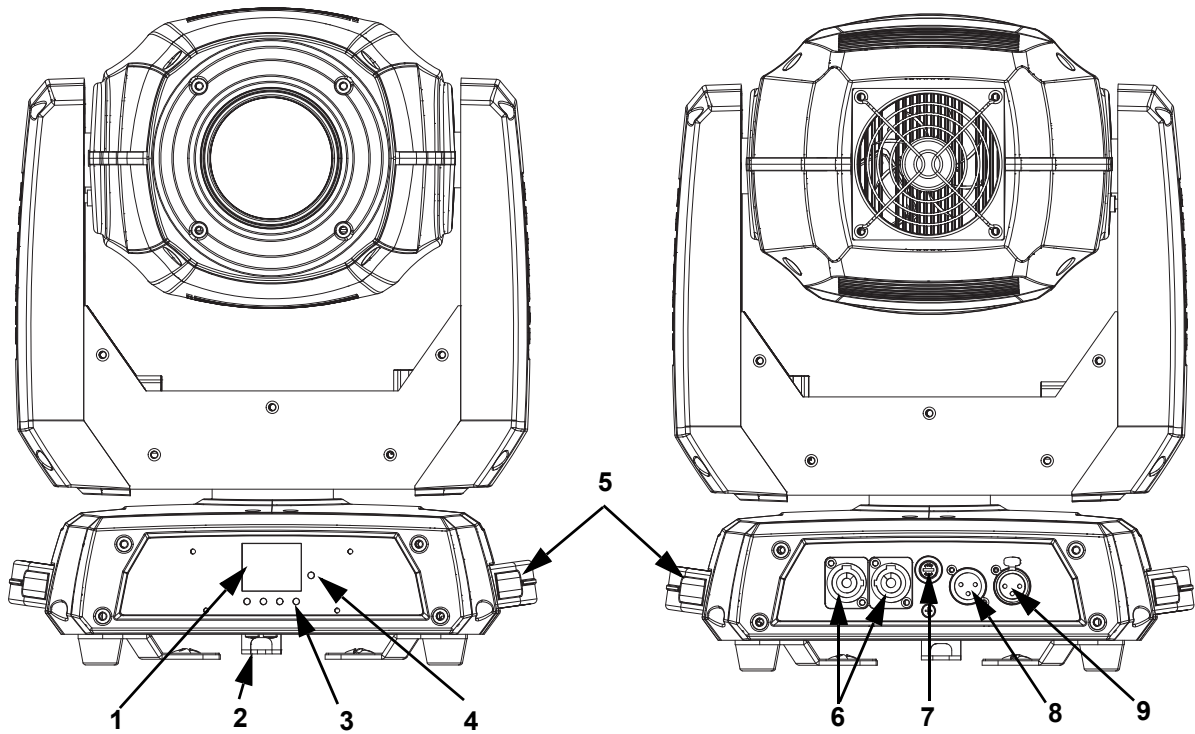
Keep this User Manual for future use. If the product is sold to someone else, be sure that they also receive this document.

RF Exposure Warning for North America and Australia

Warning! This equipment complies with FCC radiation exposure limits set forth for an uncontrolled environment. This equipment should be installed and operated with a minimum distance of 20 cm between the radiator and the user. This transmitter must not be co-located or operating in conjunction with any other antenna or transmitter.

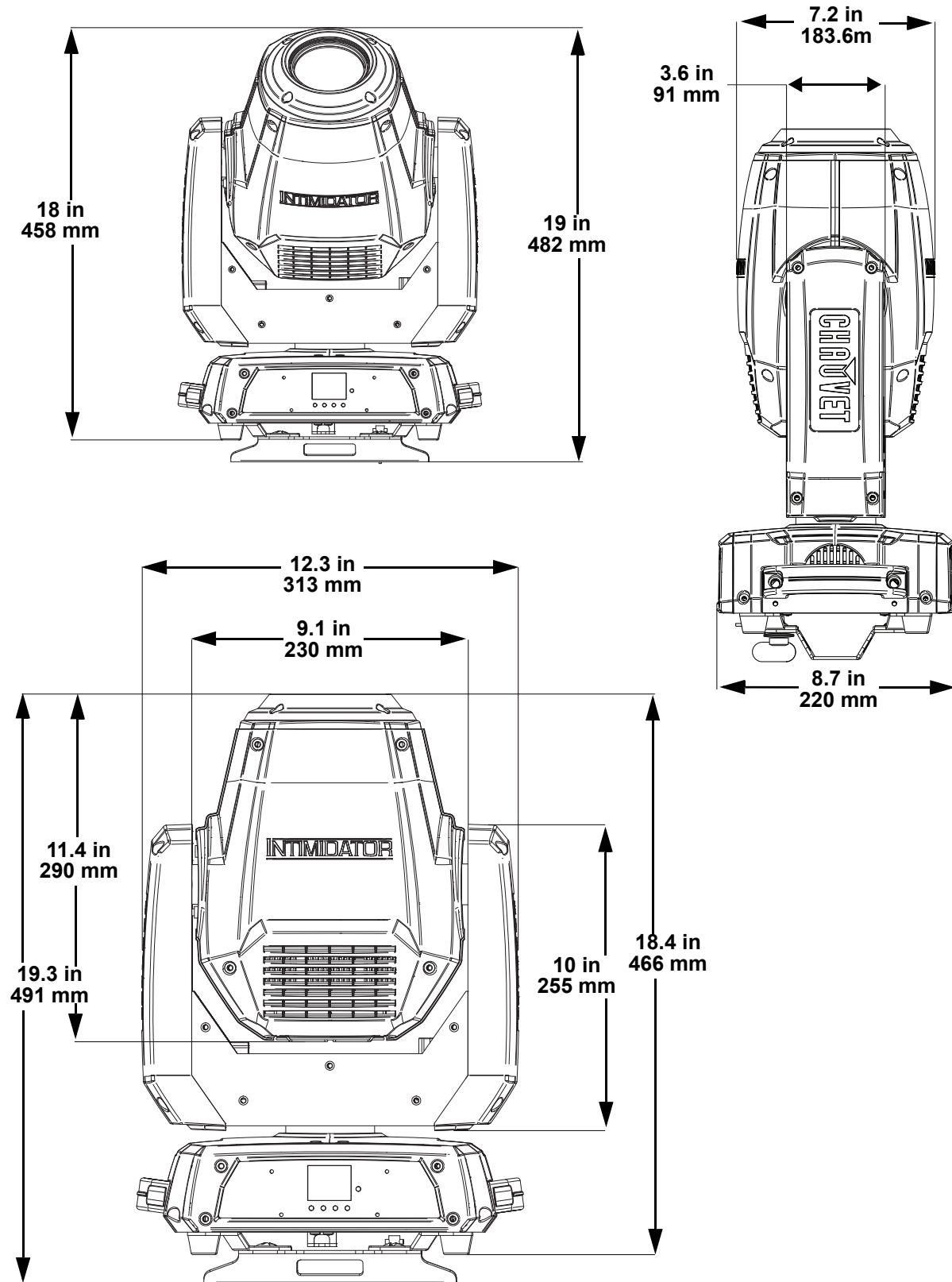
2. Introduction

Product Overview



| # | Name |
|---|---------------|
| 1 | LED display |
| 2 | Safety loop |
| 3 | Menu buttons |
| 4 | LED indicator |
| 5 | Carry handles |
| 6 | Power in/out |
| 7 | Fuse holder |
| 8 | DMX in |
| 9 | DMX out |

Product Dimensions



3. Setup

AC Power

The Intimidator Spot 375ZX has an auto-ranging power supply and it can work with an input voltage range of 100 to 240 VAC, 50/60 Hz.

To determine the product's power requirements (circuit breaker, power outlet, and wiring), use the current value listed on the label affixed to the product's back panel, or refer to the product's specifications chart. The listed current rating indicates the product's average current draw under normal conditions.



- **Always connect the product to a protected circuit (a circuit breaker or fuse). Make sure the product has an appropriate electrical ground to avoid the risk of electrocution or fire.**
- **To eliminate unnecessary wear and improve its lifespan, during periods of non-use completely disconnect the product from power via breaker or by unplugging it.**



Never connect the product to a rheostat (variable resistor) or dimmer circuit, even if the rheostat or dimmer channel serves only as a 0 to 100% switch.

Fuse Replacement

1. Disconnect the product from power.
2. Using a Phillips-head screwdriver, unscrew the fuse holder and pull it straight out.
3. Remove the blown fuse from the holder and replace with a fuse of the exact same type and rating.
4. Re-insert the fuse holder and reconnect power.



Disconnect the product from the power outlet before replacing the fuse.

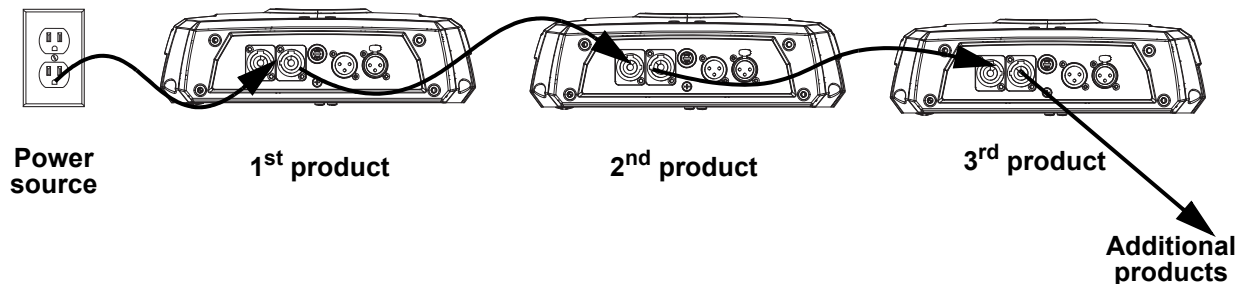


Always replace a blown fuse with one of the same type and rating.

Power Linking

This product provides power linking via the outlet located in the back of the product. See the diagram below for further explanation.

Power Linking Diagram



It is possible to link up to 4 Intimidator Spot 375ZX products on 120 VAC or up to 8 products on 230 VAC.



The power linking diagram shown above corresponds to the North American version of the product ONLY! If using the product in other markets, consult with the local Chauvet distributor as power linking connectors and requirements may differ by country or region.

Mounting

Before mounting the product, read and follow the safety recommendations indicated in the [Safety Notes](#).

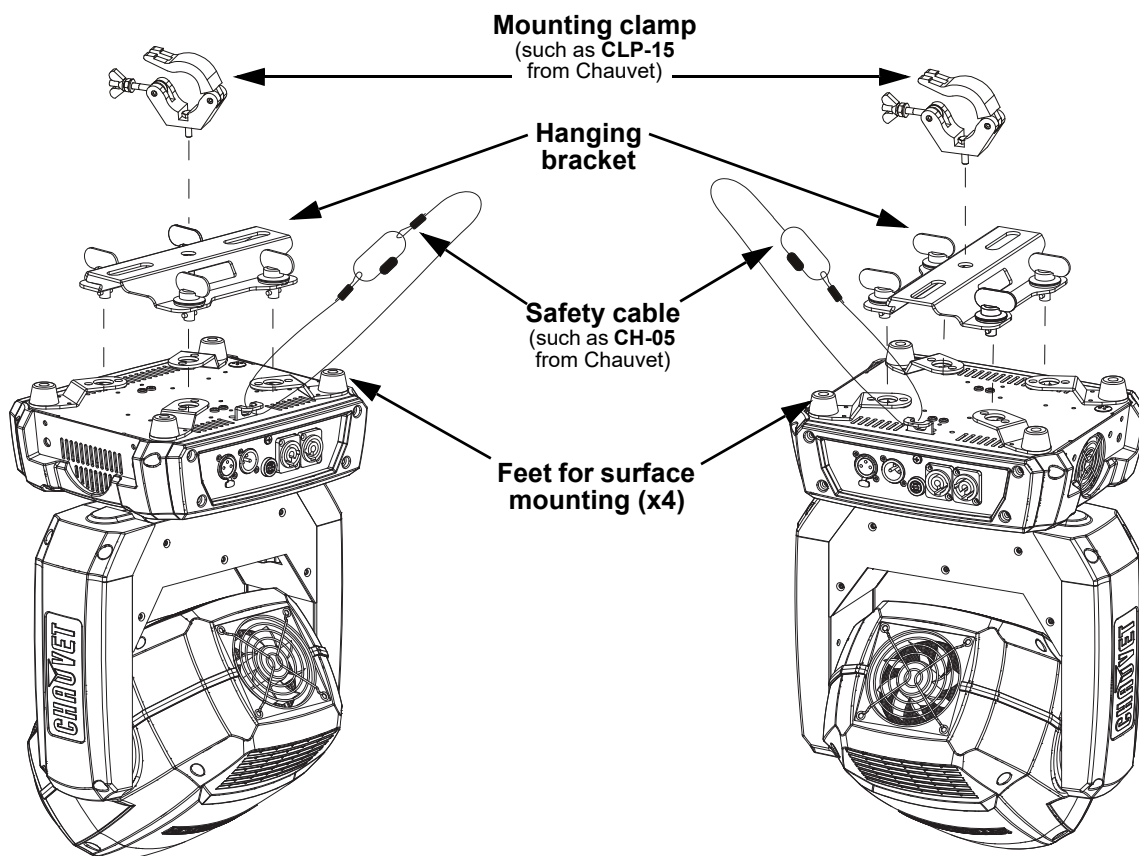
Orientation

The Intimidator Spot 375ZX may be mounted in any position; however, make sure adequate ventilation is provided around the product.

Rigging

- Before deciding on a location for the product, always make sure there is easy access to the product for maintenance and programming.
- Make sure that the structure and attachment points can support the weight before hanging the product (see the [Technical Specifications](#))
- When mounting the product overhead, always use a safety cable. Mount the product securely to a rigging point, such as an elevated platform or a truss.
- When rigging the product onto a truss, use a mounting clamp of appropriate weight capacity.
- When power linking multiple products, mount the products close enough for power linking cables to reach.
- When mounting the product on the floor, make sure that the product and cables are away from people and vehicles.

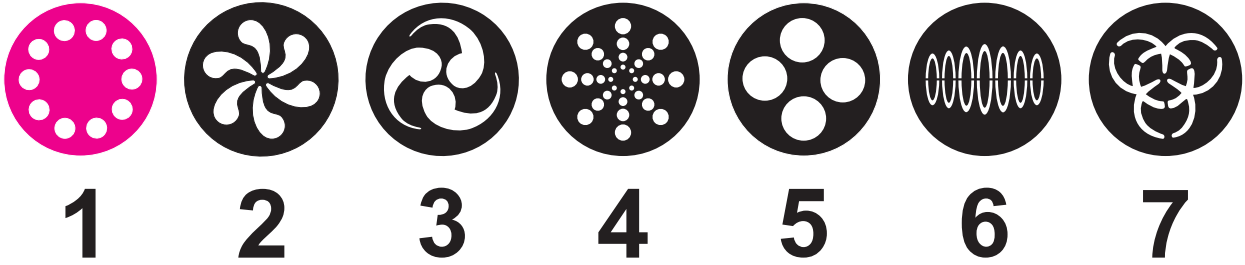
Mounting Diagram



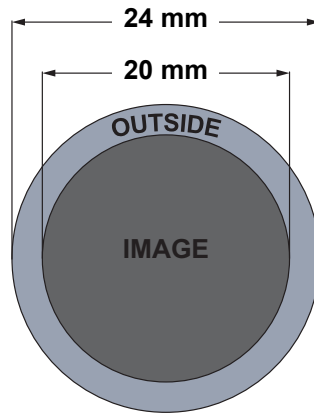
To prevent accidental loosening when using a single mounting clamp, be sure to use a clamp with a captive bolt.

Gobos

Gobo- Rotating Gobo Wheel



Rotating Gobo Dimensions



Gobo Replacement

The gobos in the Intimidator Spot 375ZX are removable from their gobo holders.



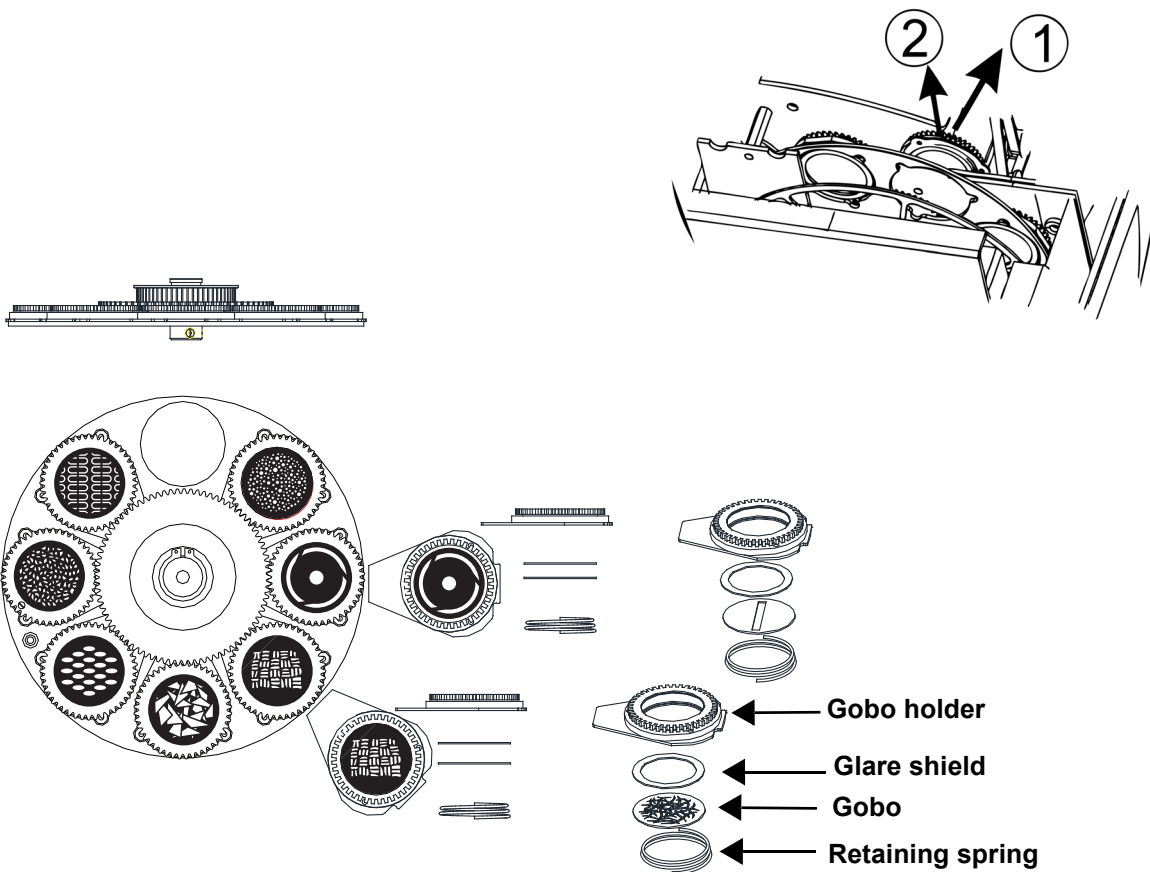
- **Make sure to disconnect the product's power cable before replacing a gobo.**
- **Always replace a gobo with a gobo of the same dimensions.**
- **When inserting a glass gobo, always make sure that the shiny side of the gobo (glass base) faces the lamp. This provides a layer of protection against the high temperature from the lamp.**
- **All custom gobos in the Intimidator Spot 375ZX gobo wheel must be aluminum or glass.**

Procedure

Follow the recommended procedure below to remove or replace the gobos:

1. Turn the product off and disconnect it from the power outlet.
2. Open the head cover by loosening the 4 Phillips-head ¼-turn screws on the sides of the top cover.
3. Separate the gobo holder away from the gobo wheel by pushing it toward the front of the moving head (see direction 1 in the diagram). Be careful not to push the gobo out of the gobo holder.
4. Extract the gobo holder by pulling it outward (see direction 2 in the diagram).
5. On a flat surface, remove the expansion ring that holds the gobo in place and remove the gobo from the gobo holder.
6. Insert a new gobo and hold it in place with the expansion ring.
7. Slide the tip of the gobo holder under the pressure plate near the center of the gobo wheel.
8. Push the gobo holder inwards. **DO NOT** force the gobo holder into the gobo wheel slot. If correctly installed, the gobo plate should easily slide itself into the gobo wheel slot.

Gobo Replacement Diagrams



- **Gobo illustrations are for reference purposes only. Gobo designs may differ from those installed in the product.**
- **Gobo holders 5 and 6 are slightly smaller to accommodate glass gobos.**
- See [Gobo Maintenance](#) for instructions on how to clean the gobos and gobo holder.

4. Operation

Control Panel Operation

To access the control panel functions, use the four buttons located underneath the display. Please refer to the [Product Overview](#) to see the button locations on the control panel.

| Button | Function |
|---------|---|
| <MENU> | Press to find an operation mode or to back out of the current menu option |
| <UP> | Press to scroll up the list of options or to find a higher value |
| <DOWN> | Press to scroll down the list of options or to find a lower value |
| <ENTER> | Press to activate a menu option or a selected value |

Menu Map

Refer to the Intimidator Spot 375ZX product page on www.chauvetdj.com for the latest menu map and software.

| Main Level | Programming Levels | | Description |
|------------|--------------------|------------------------|---|
| Address | 001–512 | | Sets the DMX starting address |
| | DMX | 15CH | Selects DMX mode |
| 09CH | | | |
| Slave | Slave1–4 | | Selects Slave mode 1, 2, 3, or 4 |
| | Auto | | Selects Auto mode |
| Sound | | | Selects Sound-Active mode |
| RF | RF 1–4 | | Sets the product to work with the RFC-XL remote in group 1, 2, 3, or 4 (RF remote must be bound to the product first) |
| | RFP | | Sets the product to work with public RF signal |
| Run Mode | Crossfade (sec) | 0000–1200 | Sets the speed of playback in seconds |
| | Hold time (sec) | 0001–1200 | Sets the time between playback in seconds |
| | Clear | NO | Resets all step 1 manual values to 0 |
| | | YES | |
| | Delete | NO | Removes step 1 from playback |
| | | YES | |
| | Pan | 000–255 | Manual pan control |
| | Tilt | 000–255 | Manual tilt control |
| | Color | 000–255 | Manual color control |
| | Gobo | 000–255 | Manual rotating gobo control |
| | Gobo Rotate | 000–255 | Manual gobo rotation control |
| | Prism | 000–255 | Manual prism control |
| | Focus | 000–255 | Manual focus control |
| | Zoom | 000–255 | Manual zoom control |
| Dimmer | 000–255 | Manual dimmer control | |
| Shutter | 000–255 | Manual shutter control | |

| Main Level | Programming Levels | | | Description | |
|---------------------|--------------------|------------------------|-------------|--|--------------------------------------|
| Run Mode (cont.) | Manual (cont.) | Step 2 | Clear | NO | Resets all step 2 manual values to 0 |
| | | | | YES | |
| | | | Delete | NO | Removes step 2 from playback |
| | | | | YES | |
| | | | Pan | 000–255 | Manual pan control |
| | | | Tilt | 000–255 | Manual tilt control |
| | | | Color | 000–255 | Manual color control |
| | | | Gobo | 000–255 | Manual rotating gobo control |
| | | | Gobo Rotate | 000–255 | Manual gobo rotation control |
| | | | Prism | 000–255 | Manual prism control |
| | | | Focus | 000–255 | Manual focus control |
| | | | Zoom | 000–255 | Manual zoom control |
| | | | Dimmer | 000–255 | Manual dimmer control |
| Shutter | 000–255 | Manual shutter control | | | |
| Setup | Pan Reverse | | OFF | Normal pan operation | |
| | | | ON | Reverse pan operation | |
| | Tilt Reverse | | OFF | Normal tilt operation | |
| | | | ON | Reverse tilt operation | |
| | Screen Reverse | | OFF | Normal display | |
| | | | ON | Reverse display | |
| | Pan Angle | | 540 | Selects the 540° pan angle range | |
| | | | 360 | Selects the 360° pan angle range | |
| | | | 180 | Selects the 180° pan angle range | |
| | Tilt Angle | | 270 | Selects the 270° tilt angle range | |
| | | | 180 | Selects the 180° tilt angle range | |
| | | | 90 | Selects the 90° tilt angle range | |
| | Totem Mode | | OFF | Does not restrict the pan and tilt motion | |
| | | | UP | Restricts the pan and tilt motion for overhead mounting | |
| | | | DOWN | Restricts the pan and tilt motion for surface/floor mounting | |
| | Sensitivity | | 001–100 | Sets sound sensitivity | |
| | DMX Loss | | Hold | Holds the last setting when signal is lost | |
| | | | Black | Blacks out the product when signal is lost | |
| | | | Auto | Sets the unit to Auto mode when signal is lost | |
| | | | Sound | Sets the unit to Sound mode when signal is lost | |
| | Indicator | | ON | Enables/disables LED indicator | |
| | | | OFF | | |
| | Flash if DMX | | ON | Sets whether LED indicator flashes when the fixture is connected to or disconnected from the DMX | |
| | | | OFF | | |
| | RF | | BIND | Shows instructions on how to bind the RF remote to the product | |
| | Reset | | | | Resets the product |
| | Factory Set | | | | Loads factory defaults |

| Main Level | Programming Levels | | Description |
|------------|--------------------|-------|--|
| Sys Info | Ver: | V_ | Displays the firmware version |
| | Running Mode: | ----- | Displays the current running mode |
| | DMX Address: | --- | Displays the current DMX address |
| | Temperature: | --- | Displays the current product temperature |

DMX Configuration

The Intimidator Spot 375ZX works with a DMX controller. Information about DMX is in the Chauvet DMX Primer, which is available from the Chauvet website chauvetlighting.com/downloads/DMX_Primer_rev05_WO.pdf.

Starting Address

The Intimidator Spot 375ZX uses up to 15 DMX channels, which defines the highest recommended address to **498**.

When selecting a starting DMX address, always consider the number of DMX channels the DMX mode uses. If the starting address is set too high, access to some channels could be restricted.

For information about the DMX protocol, download the DMX Primer from www.chauvetdj.com.

To select the starting address, do the following:

1. Press **<MENU>**.
2. Use **<UP>** or **<DOWN>** to select **Address**.
3. Press **<ENTER>**.
4. Use **<UP>** or **<DOWN>** to select the starting address, from **001–512**.
5. Press **<ENTER>**.

DMX Personalities

The Intimidator Spot 375ZX has 2 DMX personalities, a 15CH-channel personality, and a 09CH-channel personality. To select which DMX personality to use, follow the steps below:

1. Press **<MENU>**.
2. Use **<UP>** or **<DOWN>** to select **Run Mode**.
3. Press **<ENTER>**.
4. Use **<UP>** or **<DOWN>** to select **DMX**.
5. Press **<ENTER>**.
6. Use **<UP>** or **<DOWN>** to select the DMX personality, from **15CH** or **09CH**.
7. Press **<ENTER>**.

DMX Channel Assignments and Values

DMX Charts

| 09CH | 15CH | Function | Value | Percent/Setting |
|-----------|-------------------------------------|--|-----------|--------------------------------------|
| 1 | 1 | Pan | 000 ⇔ 255 | 0–540° |
| – | 2 | Pan fine | 000 ⇔ 255 | Fine control of panning |
| 2 | 3 | Tilt | 000 ⇔ 255 | 0–270° |
| – | 4 | Tilt fine | 000 ⇔ 255 | Fine control of tilting |
| – | 5 | Pan/Tilt speed | 000 ⇔ 255 | Pan/tilt speed (fast to slow) |
| 3 | 6 | Color wheel | 000 ⇔ 007 | Cool white |
| | | | 008 ⇔ 015 | Red |
| | | | 016 ⇔ 023 | Yellow |
| | | | 024 ⇔ 031 | Green |
| | | | 032 ⇔ 039 | Blue |
| | | | 040 ⇔ 047 | CTO |
| | | | 048 ⇔ 055 | Cyan |
| | | | 056 ⇔ 063 | Magenta |
| | | | 064 ⇔ 189 | Color indexing |
| | | | 190 ⇔ 221 | Color cycling rainbow (fast to slow) |
| | | | 222 ⇔ 223 | Stop |
| | | | 224 ⇔ 255 | Color cycling rainbow (slow to fast) |
| 4 | 7 | Gobo wheel (See Gobos) | 000 ⇔ 007 | Open |
| | | | 008 ⇔ 015 | Gobo 1 |
| | | | 016 ⇔ 023 | Gobo 2 |
| | | | 024 ⇔ 031 | Gobo 3 |
| | | | 032 ⇔ 039 | Gobo 4 |
| | | | 040 ⇔ 047 | Gobo 5 |
| | | | 048 ⇔ 055 | Gobo 6 |
| | | | 056 ⇔ 063 | Gobo 7 |
| | | | 064 ⇔ 071 | Gobo 7 shake (slow to fast) |
| | | | 072 ⇔ 079 | Gobo 6 shake (slow to fast) |
| | | | 080 ⇔ 087 | Gobo 5 shake (slow to fast) |
| | | | 088 ⇔ 095 | Gobo 4 shake (slow to fast) |
| | | | 096 ⇔ 103 | Gobo 3 shake (slow to fast) |
| | | | 104 ⇔ 111 | Gobo 2 shake (slow to fast) |
| | | | 112 ⇔ 119 | Gobo 1 shake (slow to fast) |
| | | | 120 ⇔ 127 | Open |
| | | | 128 ⇔ 189 | Cycle effect (slow to fast) |
| 190 ⇔ 193 | Stop | | | |
| 194 ⇔ 255 | Reverse cycle effect (slow to fast) | | | |
| 5 | 8 | Gobo rotation | 001 ⇔ 063 | Gobo indexing |
| | | | 064 ⇔ 145 | Gobo rotation (slow to fast) |
| | | | 146 ⇔ 149 | Stop |
| | | | 150 ⇔ 231 | Reverse rotation (slow to fast) |
| | | | 232 ⇔ 255 | Bounce (slow to fast) |

| 09CH | 15CH | Function | Value | Percent/Setting |
|------|------|----------|-----------|---|
| 6 | 9 | Prism | 000 ⇔ 003 | No function |
| | | | 004 ⇔ 006 | 6-facet prism |
| | | | 007 ⇔ 065 | 6-facet prism rotation (slow to fast) |
| | | | 066 ⇔ 123 | 6-facet reverse prism rotation (slow to fast) |
| | | | 124 ⇔ 127 | 6-facet prism |
| | | | 128 ⇔ 131 | No function |
| | | | 132 ⇔ 134 | 5-facet prism |
| | | | 135 ⇔ 193 | 5-facet prism rotation (slow to fast) |
| | | | 194 ⇔ 251 | 5-facet prism reverse rotation (slow to fast) |
| | | | 252 ⇔ 255 | 5-facet prism |
| 7 | 10 | Focus | 000 ⇔ 255 | Big to small |
| - | 11 | Dimmer | 000 ⇔ 255 | 0–100% |
| 8 | 12 | Shutter | 000 ⇔ 003 | Closed |
| | | | 004 ⇔ 007 | Open |
| | | | 008 ⇔ 076 | Strobe (slow to fast) |
| | | | 077 ⇔ 145 | Pulse strobe (slow to fast) |
| | | | 146 ⇔ 215 | Random strobe (slow to fast) |
| | | | 216 ⇔ 255 | Open |
| - | 13 | Function | 000 ⇔ 007 | No function |
| | | | 008 ⇔ 015 | Blackout on pan/tilt movement |
| | | | 016 ⇔ 023 | Blackout on color wheel movement |
| | | | 024 ⇔ 031 | Blackout on gobo wheel movement |
| | | | 032 ⇔ 039 | Blackout on pan, tilt, and color wheel movement |
| | | | 040 ⇔ 047 | Blackout on pan, tilt, and gobo wheel movement |
| | | | 048 ⇔ 055 | Blackout on pan, tilt, color wheel, and gobo wheel movement |
| | | | 056 ⇔ 095 | No function |
| | | | 096 ⇔ 103 | Pan reset |
| | | | 104 ⇔ 111 | Tilt reset |
| | | | 112 ⇔ 119 | Color wheel reset |
| | | | 120 ⇔ 127 | Gobo wheel reset |
| | | | 128 ⇔ 135 | No function |
| | | | 136 ⇔ 143 | Prism reset |
| | | | 144 ⇔ 151 | Focus and zoom reset |
| | | | 152 ⇔ 159 | All reset |
| | | | 160 ⇔ 255 | No function |

| 09CH | 15CH | Function | Value | Percent/Setting |
|-----------|-------------------------------|--------------------|-----------|-------------------------------|
| - | 14 | Movement Macros | 000 ⇔ 007 | No function |
| | | | 008 ⇔ 023 | Movement macro 1 |
| | | | 024 ⇔ 039 | Movement macro 2 |
| | | | 040 ⇔ 055 | Movement macro 3 |
| | | | 056 ⇔ 071 | Movement macro 4 |
| | | | 072 ⇔ 087 | Movement macro 5 |
| | | | 088 ⇔ 103 | Movement macro 6 |
| | | | 104 ⇔ 119 | Movement macro 7 |
| | | | 120 ⇔ 135 | Movement macro 8 |
| | | | 136 ⇔ 151 | Sound-active movement macro 1 |
| | | | 152 ⇔ 167 | Sound-active movement macro 2 |
| | | | 168 ⇔ 183 | Sound-active movement macro 3 |
| | | | 184 ⇔ 199 | Sound-active movement macro 4 |
| | | | 200 ⇔ 215 | Sound-active movement macro 5 |
| | | | 216 ⇔ 231 | Sound-active movement macro 6 |
| | | | 232 ⇔ 247 | Sound-active movement macro 7 |
| 248 ⇔ 255 | Sound-active movement macro 8 | | | |
| 9 | 15 | Zoom | 000 ⇔ 255 | Wide to narrow |

Standalone Configuration

Set the product in one of the standalone modes to operate without a DMX controller.



Never connect a product that is operating in any standalone mode to a DMX string connected to a DMX controller. Products in standalone mode may transmit DMX signals that could interfere with the DMX signals from the controller.

Automatic Programs

To run the Intimidator Spot 375ZX with a(n) automatic mode, follow the instructions below.

1. Press **<MENU>**.
2. Use **<UP>** or **<DOWN>** to select **Run Mode**.
3. Press **<ENTER>**.
4. Use **<UP>** or **<DOWN>** to select **Auto**.
5. Press **<ENTER>**.

Sound-Active Mode

To run the Intimidator Spot 375ZX with a sound-active program, follow the instructions below.

1. Press **<MENU>**.
2. Use **<UP>** or **<DOWN>** to select **Run Mode**.
3. Press **<ENTER>**.
4. Use **<UP>** or **<DOWN>** to select **Sound**.
5. Press **<ENTER>**.

Manual Mode

To run the Intimidator Spot 375ZX on Manual mode, follow the instructions below:

1. Press **<MENU>**.
2. Use **<UP>** or **<DOWN>** to select **Run Mode**.
3. Press **<ENTER>**.
4. Use **<UP>** or **<DOWN>** to select **Manual**.
5. Press **<ENTER>**.
6. Use **<UP>** or **<DOWN>** to select **Crossfade (sec)** (sets the speed of scene playback in seconds), **Hold time (sec)** (Sets the time between scene playback in seconds), **Step 1** (first step that will play back), or **Step 2** (second step that will playback).

To program **Step 1** or **Step 2**:

1. Use **<UP>** or **<DOWN>** to select **Step 1** or **Step 2**
2. Press **<ENTER>**.
3. Use **<UP>** or **<DOWN>** to select from **Pan, Tilt, Color, Gobo, Gobo Rotate, Prism, Focus, Zoom, Dimmer, or Shutter**.
4. Press **<ENTER>**.
5. Use **<UP>** or **<DOWN>** to increase or decrease the value of the selected function, from **000–255**.
6. Press **<ENTER>**.
7. Repeat steps 3–6 until the product is set as desired.

To clear or delete **Step 1** or **Step 2**:

1. Use **<UP>** or **<DOWN>** to select from **Clear** or **Delete**.
2. Press **<ENTER>**.
3. Use **<UP>** or **<DOWN>** to select from **Yes** or **No**.
4. Press **<ENTER>**.



- **Selecting Clear will reset all manual options to <000>**.
- **Selecting Delete will reset all manual options to <000> and prevent the step from playback.**

Settings Configuration

Pan Reverse

To set the pan orientation on the Intimidator Spot 375ZX , follow the instructions below:

1. Press **<MENU>**.
2. Use **<UP>** or **<DOWN>** to select **Setup**.
3. Press **<ENTER>**.
4. Use **<UP>** or **<DOWN>** to select **Pan Reverse**.
5. Press **<ENTER>**.
6. Use **<UP>** or **<DOWN>** to select **OFF** (normal pan orientation) or **ON** (reverse pan orientation).
7. Press **<ENTER>**.

Tilt Reverse

To set the tilt orientation on the Intimidator Spot 375ZX , do the following:

1. Press **<MENU>**.
2. Use **<UP>** or **<DOWN>** to select **Setup**.
3. Press **<ENTER>**.
4. Use **<UP>** or **<DOWN>** to select **Tilt Reverse**.
5. Press **<ENTER>**.
6. Use **<UP>** or **<DOWN>** to select **OFF** (normal tilt orientation) or **ON** (reverse tilt orientation).
7. Press **<ENTER>**.

Screen Reverse

To set the display orientation on the Intimidator Spot 375ZX , follow the instructions below:

1. Press **<MENU>**.
2. Use **<UP>** or **<DOWN>** to select **Setup**.
3. Press **<ENTER>**.
4. Use **<UP>** or **<DOWN>** to select **Screen Reverse**.
5. Press **<ENTER>**.
6. Use **<UP>** or **<DOWN>** to select **OFF** (normal display orientation) or **ON** (reverse display orientation).
7. Press **<ENTER>**.

Pan Angle

To set the pan angle range on the Intimidator Spot 375ZX , do the following:

1. Press **<MENU>**.
2. Use **<UP>** or **<DOWN>** to select **Setup**.
3. Press **<ENTER>**.
4. Use **<UP>** or **<DOWN>** to select **Pan Angle**.
5. Press **<ENTER>**.
6. Use **<UP>** or **<DOWN>** to select from **540** (540°), **360** (360°), or **180** (180°).
7. Press **<ENTER>**.

Tilt Angle

To set the tilt angle range on the Intimidator Spot 375ZX , follow the instructions below:

1. Press **<MENU>**.
2. Use **<UP>** or **<DOWN>** to select **Setup**.
3. Press **<ENTER>**.
4. Use **<UP>** or **<DOWN>** to select **Tilt Angle**.
5. Press **<ENTER>**.
6. Use **<UP>** or **<DOWN>** to select from **270** (270°), **180** (180°), or **90** (90°).
7. Press **<ENTER>**.

Totem Mode

To activate the Totem mode, do the following:

1. Press **<MENU>**.
2. Use **<UP>** or **<DOWN>** to select **Setup**.
3. Press **<ENTER>**.
4. Use **<UP>** or **<DOWN>** to select **Totem Mode**.
5. Press **<ENTER>**.
6. Use **<UP>** or **<DOWN>** to select **OFF** (normal range of motion), **UP** (restricts the pan and tilt motion for overhead mounting), or **DOWN** (restricts the pan and tilt motion for surface/floor mounting).
7. Press **<ENTER>**.

Operation

Sensitivity

To set the action the Intimidator Spot 375ZX will do when signal is lost, do the following:

1. Press **<MENU>**.
2. Use **<UP>** or **<DOWN>** to select **Setup**.
3. Press **<ENTER>**.
4. Use **<UP>** or **<DOWN>** to select **Sensitivity**.
5. Press **<ENTER>**.
6. Use **<UP>** or **<DOWN>** to select from **001–100**.
7. Press **<ENTER>**.

DMX Loss

To set the action the Intimidator Spot 375ZX will do when signal is lost, do the following:

1. Press **<MENU>**.
2. Use **<UP>** or **<DOWN>** to select **Setup**.
3. Press **<ENTER>**.
4. Use **<UP>** or **<DOWN>** to select **DMX Loss**.
5. Press **<ENTER>**.
6. Use **<UP>** or **<DOWN>** to select **Hold** (holds the last setting), **Black** (blacks out the product), **Auto** (sets the unit to auto mode), or **Sound** (sets the unit to sound mode).
7. Press **<ENTER>**.

Indicator

To enable or disable the LED indicator, do the following:

1. Press **<MENU>**.
2. Use **<UP>** or **<DOWN>** to select **Setup**.
3. Press **<ENTER>**.
4. Use **<UP>** or **<DOWN>** to select **Indicator**.
5. Press **<ENTER>**.
6. Use **<UP>** or **<DOWN>** to select **OFF** (disabled) or **ON** (enabled).
7. Press **<ENTER>**.

Flash if DMX

To set the whether the LED indicator flashes when the fixture is connected to DMX, follow the instructions below:

1. Press **<MENU>**.
2. Use **<UP>** or **<DOWN>** to select **Setup**.
3. Press **<ENTER>**.
4. Use **<UP>** or **<DOWN>** to select **Flash if DMX**.
5. Press **<ENTER>**.
6. Use **<UP>** or **<DOWN>** to select **ON** (LED indicator flashes when fixture is connected to the DMX) or **OFF** (LED indicator does not flash when fixture is connected to the DMX).
7. Press **<ENTER>**.

Reset

To reset the Intimidator Spot 375ZX , follow the instructions below:

1. Press **<MENU>**.
2. Use **<UP>** or **<DOWN>** to select **Setup**.
3. Press **<ENTER>**.
4. Use **<UP>** or **<DOWN>** to select **Reset**.
5. Press **<ENTER>**.

Factory Reset

To restore the Intimidator Spot 375ZX to factory default settings, follow the instructions below:

1. Press **<MENU>**.
2. Use **<UP>** or **<DOWN>** to select **Setup**.
3. Press **<ENTER>**.
4. Use **<UP>** or **<DOWN>** to select **Factory Set**.
5. Press **<ENTER>**.

System Information

To view the system information on the Intimidator Spot 375ZX, do the following:

1. Press **<MENU>**.
2. Use **<UP>** or **<DOWN>** to select **Sys Info**.
3. Press **<ENTER>**.
4. Use **<UP>** or **<DOWN>** to select **Ver** (displays the firmware version), **Running Mode** (displays the current running mode), **DMX Address** (displays the current DMX address), or **Temperature** (displays the product temperature in °C).

Master/Slave Mode

The Master/Slave mode allows a single Intimidator Spot 375ZX product (the “master”) to control the actions of one or more Intimidator Spot 375ZX products (the “slaves”) without the need of a DMX controller. The master product will be set to operate in either the standalone mode or with the RF remote, while the slave products will be set to operate in slave mode. Once set and connected, the slave products will operate in unison with the master product.

Configure the products as indicated below.

Slave products:

1. Press **<MENU>**.
2. Use **<UP>** or **<DOWN>** to select **Run Mode**.
3. Press **<ENTER>**.
4. Use **<UP>** or **<DOWN>** to select **Slave**.
5. Press **<ENTER>**.
6. Use **<UP>** or **<DOWN>** to select from **Slave1**, **Slave2**, **Slave3**, or **Slave4**.
 - Select **Slave1** for 100% synchronized actions.
 - Select **Slave2**, **Slave3**, and/or **Slave4** for delayed actions, creating a wave effect.
7. Press **<ENTER>**.
8. Connect the DMX input of the first slave product to the DMX output of the master product.
9. Connect the DMX input of the subsequent slave products to the DMX output of the previous slave product.
10. Finish setting and connecting all the slave products.

Master product:

1. Set the master product to operate in standalone mode.
2. Make the master product the first product in the DMX daisy chain.



- **Configure all the slave products before connecting the master to the daisy chain.**
- **Never connect a DMX controller to a DMX string configured for Master/Slave operation because the controller may interfere with the signals from the master.**
- **Do not connect more than 31 slaves to the master.**

RFC Remote Control

The Intimidator Spot 375ZX can be operated with an RFC remote or an RFC-XL remote (sold separately). To enable RF control, follow the instructions below:

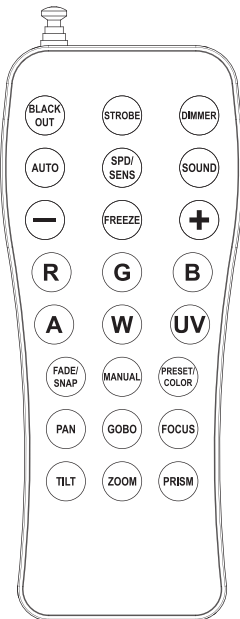
1. Press **<MENU>**.
2. Use **<UP>** or **<DOWN>** to select **Run Mode**.
3. Press **<ENTER>**.
4. Use **<UP>** or **<DOWN>** to select **RF**.
5. Press **<ENTER>**.
6. Use **<UP>** or **<DOWN>** to select among **RFP** (enables the fixture to respond to all RF signals) or **RF(1-4)** (sets which group of fixture the RFC/RFC-XL remote will control).
7. Press **<MENU>**.
8. Use **<UP>** or **<DOWN>** to select **RF**.
9. Press **<BIND>**
10. Long press **<BLACKOUT>** on the remote.



For more information about using an RFC or RFC-XL remote, download the Instructions and User Manual from www.chauvetdj.com.

RFC Remote Control Operation

| RFC | Button | Function |
|-----|----------------|---|
| | <BLACK OUT> | Press to turn off all lights until the button is pressed again |
| | <STROBE> | Press to toggle strobe, then use <+> or <-> to increase or decrease strobe speed |
| | <DIMMER> | Press then use <+> or <-> to increase or decrease the dimmer |
| | <AUTO> | Press to activate automatic mode, then use <+> or <-> to select a program |
| | <SPD/SENS> | Press then use <+> or <-> to increase or decrease speed or sensitivity |
| | <SOUND> | Press to activate sound-active mode |
| | <-> | Press to decrease speed, sensitivity, or the dimmer/color value, or to scroll down the list of programs |
| | <+> | Press to increase speed, sensitivity, or the dimmer/color value, or to scroll up the list of programs |
| | <FREEZE> | Press to stop all movement and color chasing |
| | <R> | In manual mode, press then use <+> or <-> to increase or decrease the Color Wheel speed value |
| | <G> | In manual mode, press then use <+> or <-> to increase or decrease the Gobo Rotation value |
| | | In manual mode, press to trigger Auto value |
| | <A> | In manual mode, press then use <+> or <-> to increase or decrease the pan or tilt value |
| | <W> | In manual mode, press then use <+> or <-> to increase or decrease the Prism value |
| | <UV> | In manual mode, press then use <+> or <-> to increase or decrease the Focus or Zoom value |
| | <MANUAL> | Press to activate manual mode |
| | <PRESET/COLOR> | Press repeatedly to activate and toggle presets/colors |
| | <PAN> | In manual mode, press then use <+> or <-> to increase or decrease the pan value |
| | <GOBO> | In manual mode, press repeatedly to toggle Gobos |
| | <FOCUS> | In manual mode, press then use <+> or <-> to increase or decrease the focus value |
| | <TILT> | In manual mode, press then use <+> or <-> to increase or decrease the tilt value |
| | <ZOOM> | In manual mode, press then use <+> or <-> to increase or decrease the zoom value |
| | <PRISM> | In manual mode, press then use <+> or <-> to |



The RFC remote will not respond to any inputs when Freeze or Black Out is activated. If the remote does not respond when a button is pressed, try pressing <FREEZE> or <BLACK OUT>. Freeze or Black Out may have been inadvertently activated.

5. Maintenance

Product Maintenance

Dust build-up reduces light output performance and can cause overheating. This can lead to reduction of the light source's life and/or mechanical wear. To maintain optimum performance and minimize wear, clean all lighting products at least twice a month. However, be aware that usage and environmental conditions could be contributing factors to increase the cleaning frequency.

To clean the product, follow the instructions below:

1. Unplug the product from power.
2. Wait until the product is at room temperature.
3. Use a vacuum (or dry compressed air) and a soft brush to remove dust collected on the external surface/vents.
4. Clean all transparent surfaces with a mild soap solution, ammonia-free glass cleaner, or isopropyl alcohol.
5. Apply the solution directly to a soft, lint free cotton cloth or a lens cleaning tissue.
6. Softly drag any dirt or grime to the outside of the transparent surface.
7. Gently polish the transparent surfaces until they are free of haze and lint.



Always dry the transparent surfaces carefully after cleaning them.



Do not spin the cooling fans using compressed air because they could be damaged.

Gobo Maintenance

To ensure optimal operation, 1) inspect and 2) clean gobos every four months. More frequent maintenance may be necessary if usage is higher.

To inspect, remove each gobo holder and check if:

- the holders are clean (free of dirt, grime, or gunk).
- the gobos are properly installed in the holders.
- all the bearings are in place.
- the holders are rotating freely.

To clean the gobos and the gobo holder, follow the instructions below:

1. Remove the gobos from the holder.
2. Clean the gobos with a soft, lint-free cotton cloth. Use an ammonia-free glass cleaner sprayed to a piece of lint-free cotton cloth to clean glass gobos.
3. Submerge the gobo holder (without the gobo installed) in a container with a liquid lubricant (i.e., WD40) and let it rest for a couple of minutes.
4. Shake the container with the gobo holder inside to help release/loosen any gunk/grime/dirt.
5. Take the gobo holder out of the container and clean it using a small nylon brush.
6. Wipe off all the lubricant from the gobo holder using a piece of lint-free cotton cloth.
7. Apply a small coat of synthetic oil (i.e., Liquid Bearings) to the bearings and rotate it thoroughly in both directions (needle tip applicator recommended). Make sure the gobo holder is rotating freely and is not making any abnormal noise.
8. Reinstall the gobos in the gobo holder. Make sure the gobos are in the correct positions.
9. Reinstall the gobo holder in the unit.

6. Technical Specifications

Dimensions and Weight

| Length | Width | Height | Weight |
|------------------|-----------------|------------------|-------------------|
| 12.7 in (322 mm) | 8.7 in (220 mm) | 18.3 in (466 mm) | 27.2 lb (12.4 kg) |

Note: Dimensions in inches are rounded.

Power

| Power Supply Type | Range | Voltage Selection |
|----------------------|--------------------------|-------------------|
| Switching (internal) | 100 to 240 VAC, 50/60 Hz | Auto-ranging |

| Parameter | 120 V, 60 Hz | 230 V, 50 Hz |
|----------------------------------|---------------------|---------------------|
| Consumption | 354 W | 337 W |
| Operating Current | 3.1 A | 1.6 A |
| Power linking current (products) | 13.6 A (4 products) | 13.6 A (8 products) |
| Fuse | F5 A, 250 V | F5 A, 250 V |

| Power I/O | U.S./Worldwide | UK/Europe |
|------------------------|----------------|------------|
| Power input connector | IEC | IEC |
| Power output connector | Edison | IEC |
| Power cable plug | Edison (U.S.) | Local Plug |

Light Source

| Type | Color | Quantity | Power | Current | Lifespan |
|------|------------|----------|-------|---------|--------------|
| LED | Cool white | 1 | 200 W | 16 A | 50,000 hours |

Photometrics

| Strobe rate | PWM Frequency | Zoom Angle | Lumens | Color Temperature |
|-------------|---------------|------------|-----------|-------------------|
| 0 to 20 Hz | 1.8 kHz | 10° to 23° | 7,161 lux | 15,000K |

Illuminance @2m (10°) Illuminance @2m (23°)

36,801 lux 21,115 lux

Thermal

| Maximum External Temperature | Cooling System |
|------------------------------|----------------|
| 104 °F (40 °C) | Convection |

DMX

| I/O Connector | Channel Range |
|---------------|---------------|
| 3-pin XLR | 9 or 15 |

Ordering

| Product Name | Item Code | UPC Number |
|------------------------|-----------|--------------|
| Intimidator Spot 375ZX | 08011955 | 781462223038 |



UL 1573
CSA C22.2 No. 166
E113093



RoHS



Contact Us

| General Information | Technical Support |
|---|--|
| Chauvet World Headquarters | |
| Address: 3360 Davie Rd., Suite 509 Davie, FL 33314 Voice: (954) 577-4455 Fax: (954) 929-5560 Toll Free: (800) 762-1084 | Voice: (844) 393-7575 Fax: (954) 756-8015 Email: chauvetcs@chauvetlighting.com Website: www.chauvetdj.com |
| Chauvet U.K. | |
| Address: Pod 1 EVO Park Little Oak Drive, Sherwood Park Nottinghamshire, NG15 0EB UK Voice: +44 (0) 1773 511115 Fax: +44 (0) 1773 511110 | Email: UKtech@chauvetlighting.eu Website: www.chauvetdj.eu |
| Chauvet Benelux | |
| Address: Stokstraat 18 9770 Kruishoutem Belgium Voice: +32 9 388 93 97 | Email: BNLtech@chauvetlighting.eu Website: www.chauvetdj.eu |
| Chauvet France | |
| Address: 3, Rue Ampère 91380 Chilly-Mazarin France Voice: +33 1 78 85 33 59 | Email: FRtech@chauvetlighting.fr Website: www.chauvetdj.eu |
| Chauvet Germany | |
| Address: Bruno-Bürgel-Str. 11 28759 Bremen Germany Voice: +49 421 62 60 20 | Email: DEtech@chauvetlighting.de Website: www.chauvetdj.eu |
| Chauvet Mexico | |
| Address: Av. de las Partidas 34 - 3B (Entrance by Calle 2) Zona Industrial Lerma Lerma, Edo. de México, CP 52000 Voice: +52 (728) 690-2010 | Email: servicio@chauvet.com.mx Website: www.chauvetdj.mx |

Warranty & Returns

For warranty terms and conditions and return information, please visit our website.

For customers in the United States and Mexico: www.chauvetlighting.com/warranty-registration.

For customers in the United Kingdom, Republic of Ireland, Belgium, the Netherlands, Luxembourg, France, and Germany: www.chauvetlighting.eu/warranty-registration.