

COLOrband PiX MILS

User Manual



Edition Notes

The COLORband PiX M ILS User Manual includes a description, safety precautions, installation, programming, operation, and maintenance instructions for the COLORband PiX M ILS as of the release date of this edition.

Trademarks

Chauvet, Chauvet DJ, the Chauvet logo, and COLORband are registered trademarks or trademarks of Chauvet & Sons, LLC (d/b/a Chauvet and Chauvet Lighting) in the United States and other countries. Other company and product names and logos referred to herein may be trademarks of their respective companies.

Copyright Notice

The works of authorship contained in this manual, including, but not limited to, all designs, text, and images are owned by Chauvet.

© Copyright 2026 Chauvet & Sons, LLC. All rights reserved.

Electronically published by Chauvet in the United States of America.

Manual Use

Chauvet authorizes its customers to download and print this manual for professional information purposes only. Chauvet expressly prohibits the usage, copy, storage, distribution, modification, or printing of this manual or its content for any other purpose without written consent from Chauvet.

Document Printing

For best results, print this document in color, on letter size paper (8.5 x 11 in), double-sided. If using A4 paper (210 x 297 mm), configure the printer to scale the content accordingly.

Intended Audience

Any person installing, operating, and/or maintaining this product should completely read through the guide that shipped with the product, as well as this manual, before installing, operating, or maintaining this product.

Disclaimer

Chauvet believes that the information contained in this manual is accurate in all respects. However, Chauvet assumes no responsibility and specifically disclaims any and all liability to any party for any loss, damage, or disruption caused by any errors or omissions in this document, whether such errors or omissions result from negligence, accident, or any other cause. Chauvet reserves the right to revise the content of this document without any obligation to notify any person or company of such revision; however, Chauvet has no obligation to make, and does not commit to make, any such revisions.

Document Revision

Go to www.chauvetdj.com for the latest version.

Revision	Date	Description
4	06/2026	Removed RDM

TABLE OF CONTENTS

1. Before You Begin	2
What Is Included	2
Unpacking Instructions	2
Claims	2
Text Conventions	2
Symbols	2
Safety Notes	3
FCC Statement of Compliance	4
RF Exposure Warning for North America and Australia	4
2. Introduction	5
Product Overview	5
Product Dimensions	6
3. Setup	7
AC Power	7
Fuse Replacement	7
Power Linking	8
Mounting	9
Orientation	9
Rigging	9
4. Operation	10
Control Panel Operation	10
Menu Map	10
DMX Configuration	11
Personality and Starting Address	11
D-Fi USB Connectivity	12
D-Fi USB Compatibility	12
D-Fi USB Configuration	12
D-Fi USB DIP Switch Channels	12
DMX Channel Assignments and Values	13
Zones for DMX Control	13
DMX Values	13
Standalone Configuration	16
Static Color Mode	16
Automatic Program	16
Auto Program Speed	16
Sound-Active Programs	16
Sound Sensitivity	16
Custom Color Mixing	16
Dimmer	16
RF Control	17
Factory Reset	17
Master/Slave Mode	18
D-Fi USB Master/Slave Mode	18
ILS Mode	18
RFC Remote Control Operation	19
5. Maintenance	20
Product Maintenance	20
6. Technical Specifications	21
Contact Us	22
Warranty & Returns	22

1. Before You Begin

What Is Included

- COLORband PiX M ILS
- Power cable
- Quick Reference Guide

Unpacking Instructions

Carefully unpack the product immediately and check the container to make sure all the parts are in the package and are in good condition.

Claims




If the box or the contents (the product and included accessories) appear damaged from shipping, or show signs of mishandling, notify the carrier immediately, not Chauvet. Failure to report damage to the carrier immediately may invalidate a claim. In addition, keep the box and contents for inspection.

For other issues, such as missing components or parts, damage not related to shipping, or concealed damage, file a claim with Chauvet within 7 days of delivery.

Text Conventions

Convention	Meaning
1–512	A range of values
50/60	A set of values of which only one can be chosen
Settings	A menu option not to be modified
<ENTER>	A key to be pressed on the product's control panel
ON	A value to be entered or selected

Symbols

Symbol	Meaning
	Critical installation, configuration, or operation information. Not following these instructions may make the product not work, cause damage to the product, or cause harm to the operator.
	Important installation or configuration information. The product may not function correctly if this information is not used.
	Useful information.

Safety Notes

These Safety Notes include important information about installation, use, and maintenance of the COLORband PiX M ILS

■ **ALWAYS:**



- ◆ Connect to a grounded circuit.
- ◆ Connect to operating voltages as specified on the product's spec sticker.
- ◆ Disconnect from power before replacing the fuse.
- ◆ Disconnect from its power source during periods of inactivity.
- ◆ Use a safety cable when suspending overhead.
- ◆ Heed all restrictions and warnings on the spec sticker.
- ◆ Mount in a location with at least 20 in (50 cm) of ventilation.
- ◆ Replace the fuse with the same type and rating.
- ◆ Use a clamp with a captive bolt when a single hanging bracket is used.

- In the event of a serious operating problem, stop using immediately.

■ **DO NOT:**



- ◆ Open this product or attempt any repairs. It contains no user-serviceable parts.
- ◆ Look at the light source when the product is on.
- ◆ Use if the power cord is crimped or damaged.
- ◆ Disconnect by pulling on the power cord.
- ◆ Allow flammable materials close to the product when it is operating.
- ◆ Touch the housing when it is on.
- ◆ Block any ventilation holes/slots in the housing.
- ◆ Connect to a dimmer or rheostat.
- ◆ Carry the product by its power cord.
- ◆ Operate in temperatures higher than 104°F (40°C).
- ◆ Expose to environments that exceed the Ingress Protection (IP) rating.
- ◆ Expose to rain or moisture.
- ◆ Use outdoors.
- ◆ Submerge.
- ◆ Leave outdoors for extended periods of time.
- ◆ Expose to corrosive environmental conditions such as temperature, humidity, salinity, pressure, radiation, or shock.
- ◆ Set this product on a flammable surface.



Keep this User Manual for future use. If the product is sold to someone else, be sure that they also receive this document.

FCC Statement of Compliance

This device complies with Part 15 Part B of the FCC rules. Operation is subject to the following two conditions:

1. This device may not cause harmful interference, and
2. This device must accept any interference received, including interference that may cause undesired operation.

This equipment has been tested and found to comply with the limits for a Class B digital device, pursuant to Part 15 of the FCC Rules. These limits are designed to provide reasonable protection against harmful interference in a residential installation. This equipment generates uses and can radiate radio frequency energy and, if not installed and used in accordance with the instructions, may cause harmful interference to radio communications. However, there is no guarantee that interference will not occur in a particular installation. If this equipment does cause harmful interference to radio or television reception, which can be determined by turning the equipment off and on, the user is encouraged to try to correct the interference by one or more of the following measures:

- Reorient or relocate the receiving antenna.
- Increase the separation between the equipment and receiver.
- Connect the equipment into an outlet on a circuit different from that to which the receiver is connected.
- Consult the dealer or an experienced radio/TV technician for help.

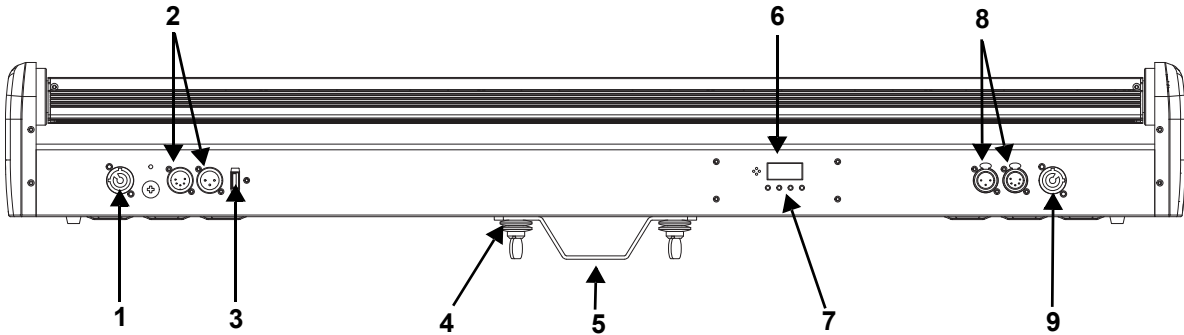
Any changes or modifications not expressly approved by the party responsible for compliance could void the user's authority to operate the equipment.

RF Exposure Warning for North America and Australia

Warning! This equipment complies with FCC radiation exposure limits set forth for an uncontrolled environment. This equipment should be installed and operated with a minimum distance of 20 cm between the radiator and the user. This transmitter must not be co-located or operating in conjunction with any other antenna or transmitter.

2. Introduction

Product Overview

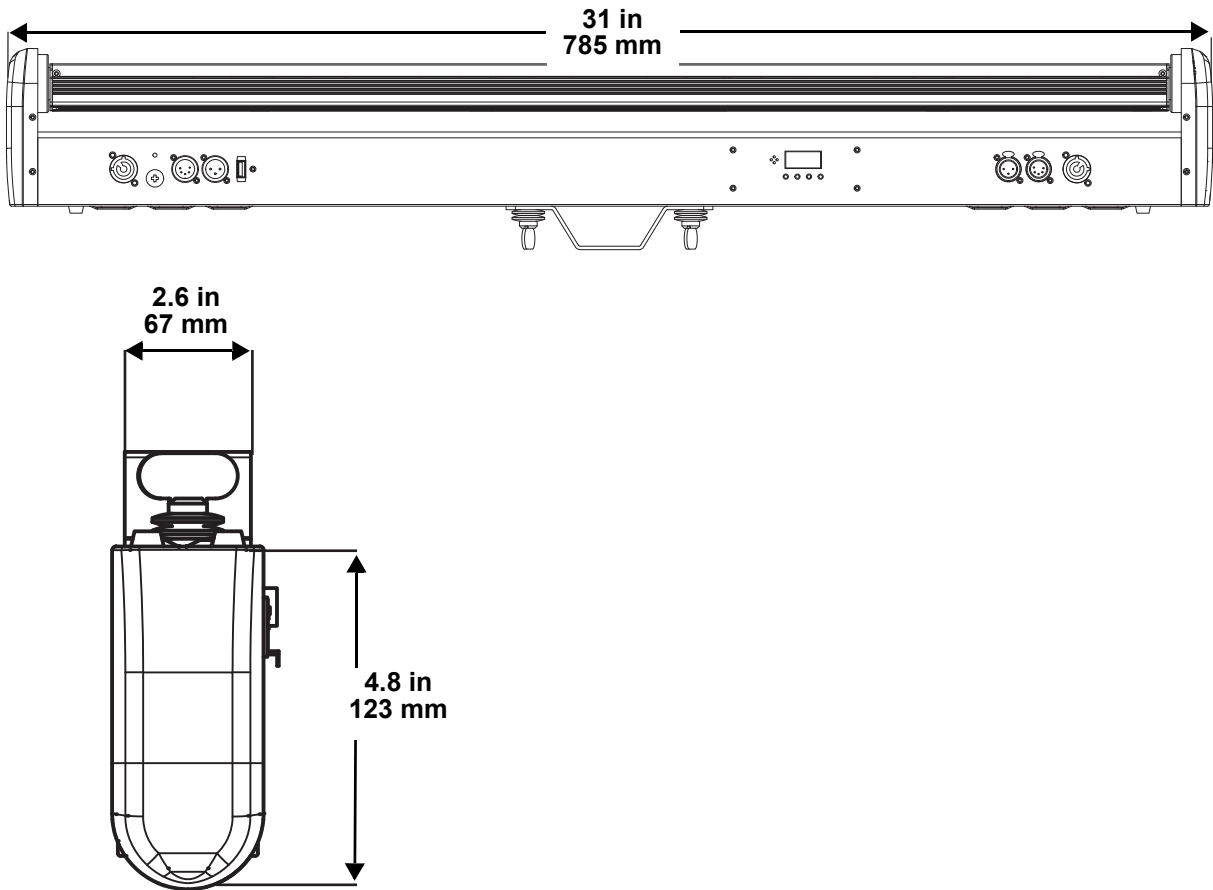


#	Name
1	Power in
2	3-pin/ 5 pin DMX in
3	USB Port
4	Bracket adjustment knob (2x)
5	Mounting bracket
6	Display
7	Menu buttons
8	3-pin /5-pin DMX out
9	Power out



WARNING! DO NOT plug anything other than a D-Fi USB into the USB port. Doing so may cause damage to the product.

Product Dimensions



3. Setup

AC Power

The COLORband PiX M ILS has an auto-ranging power supply, and it can work with an input voltage range of 100 to 240 VAC, 50/60 Hz.

To determine the product's power requirements (circuit breaker, power outlet, and wiring), use the current value listed on the label affixed to the product's back panel, or refer to the product's specifications chart.

The listed current rating indicates the product's average current draw under normal conditions.



- **Always connect the product to a protected circuit (a circuit breaker or fuse). Make sure the product has an appropriate electrical ground to avoid the risk of electrocution or fire.**
- **To eliminate unnecessary wear and improve its lifespan, during periods of non-use completely disconnect the product from power via breaker or by unplugging it.**



Never connect the product to a rheostat (variable resistor) or dimmer circuit, even if the rheostat or dimmer channel serves only as a 0 to 100% switch.

Fuse Replacement

1. Disconnect the product from power.
2. Using a Phillips-head screwdriver, unscrew the fuse holder and pull it straight out.
3. Remove the blown fuse from the holder and replace with a fuse of the exact same type and rating.
4. Re-insert the fuse holder and reconnect power.



Disconnect the product from the power outlet before replacing the fuse.



Always replace a blown fuse with one of the same type and rating.



While operating the COLORband PiX M ILS, make sure there is adequate fog fluid in the machine to prevent pump and heater damage. When the fog fluid level becomes low, simply add more fog fluid to continue using the COLORband PiX M ILS.



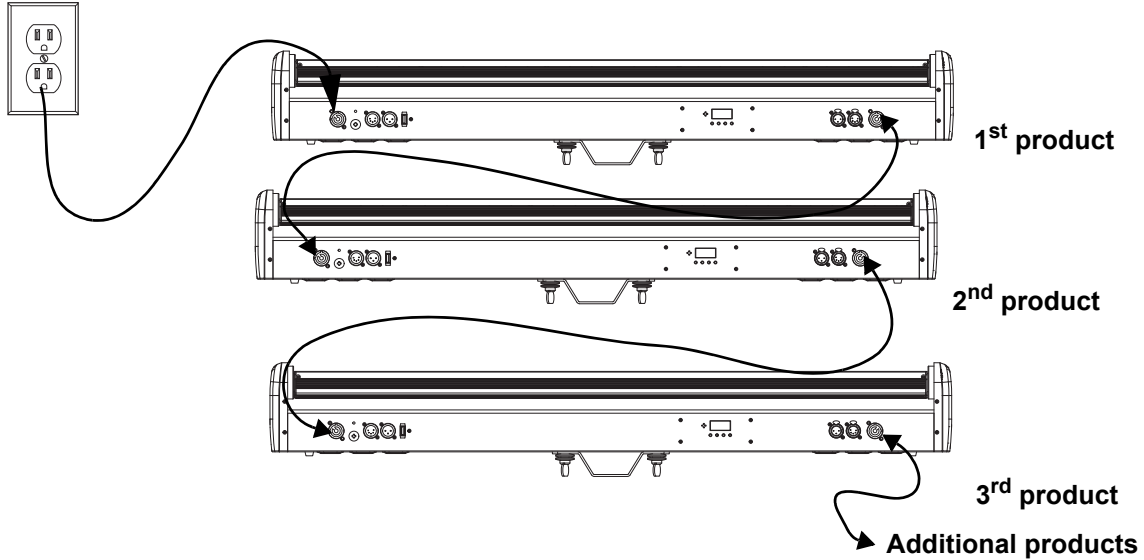
This product may NOT be tilted. This product should be level when on a surface.

Power Linking

The product provides power linking via the outlet located in the back of the product. See the diagram below for further explanation.

Power Linking Diagram

Power source



It is possible to link up to 12 COLORband PiX M ILS products on 120 VAC or up to 20 products on 230 VAC.



The power linking diagram shown above corresponds to the North American version of the product ONLY! If using the product in other markets, consult with the local Chauvet distributor as power linking connectors and requirements may differ by country or region.

Mounting

Before mounting the product, read and follow the safety recommendations indicated in the [Safety Notes](#).

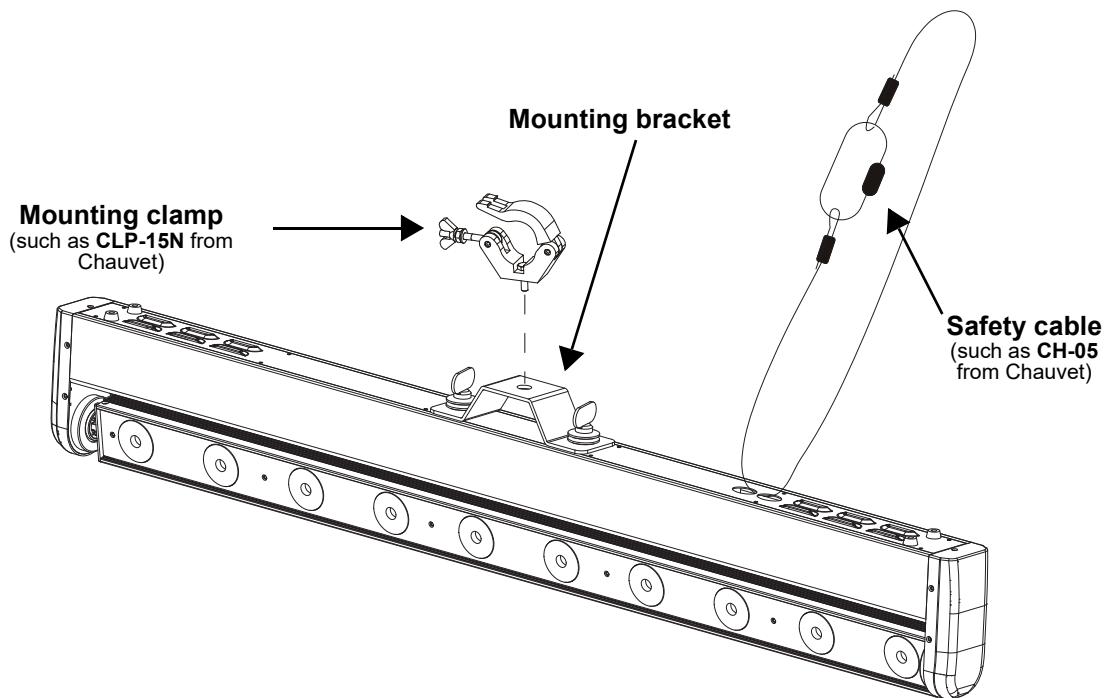
Orientation

The COLORband PiX M ILS may be mounted in any position; however, make sure adequate ventilation is provided around the product.

Rigging

- Before deciding on a location, always make sure there is easy access to the product for maintenance and programming.
- Make sure adequate ventilation is provided around the product.
- Make sure that the structure and attachment points can support the weight before hanging the product. (see the [Technical Specifications](#)).
- When mounting the product overhead, always use a safety cable. Mount the product securely to a rigging point, whether an elevated platform or a truss.
- When rigging the product onto a truss, use a mounting clamp of appropriate weight capacity.
- When power linking multiple products, mount the products close enough for power-linking cables to reach.
- The bracket adjustment knobs allow for directional adjustment when aiming the product to the desired angle. Only loosen or tighten the bracket knobs manually. Using tools could damage the knobs.

Mounting Diagram



To prevent accidental loosening when using a single mounting clamp, be sure to use a clamp with a captive bolt.

4. Operation

Control Panel Operation

To access the control panel functions, use the four buttons located underneath the display. Refer to the [Product Overview](#) to see the button locations on the control panel.

Button	Function
<MENU>	Exits from the current menu or function
<UP>	Navigates upwards through the menu list or increases a selected numeric value
<DOWN>	Navigates downwards through the menu list or decreases a selected numeric value
<ENTER>	Enables the currently displayed menu or sets a selected value into the selected function

Menu Map

Refer to the COLORband PiX M ILS product page on www.chauvetdj.com for the latest menu map.

Mode	Programming Levels		Description	
DMX Mode	5Ch	d001–508	5-channel DMX mode	
	6Ch	d001–507	6-channel DMX mode	
	8Ch	d001–505	8-channel DMX mode	
	10Ch	d001–503	10-channel DMX mode	
	17Ch	d001–496	17-channel DMX mode	
	32Ch	d001–481	32-channel DMX mode	
	36Ch	d001–477	36-channel DMX mode	
ILS Mode	iLS	iLS1–4	Sets ILS mode	
Static Colors	C--	C 1–18	Static colors	
Tilt Settings	t--	t 0–50	Tilt position (0-270°)	
		t 51–100	Automatic motorized tilt speed, slow to fast	
Automatic Programs	P--	P 1–14	Automatic programs	
		Fade/ Snap	Enables fade and snap function	
Auto Speed	S--	S. 001–100	Program speed for P 1–14	
Sound-Active Mode	Snd	Snd	Sound-active programs	
Sound Sensitivity	SenS	U.001–100	Sets sound sensitivity	
Custom Color Mixing	U--	r.000–255	Custom static colors Combine red, green, and blue	
		g.000–255		
		b.000–255		
RF Control	SEt	oFF	Disables RFC remote control	
		RF	Link	Link to a single remote by pressing and holding <FREEZE> (RFC) or <BLACKOUT> (RFC-XL) until the display shows PASS (success) or ErrO (failure)
			PubL	Public mode, control with any RFC or RFC-XL remote
		RF-G	GRO1–4	Sets which group or fixtures the RFC-XL will control
		ANGL	45/90/180/270	Restrict the angle in ILS mode
		FOLL	PAN/TILT	Follow pan or tilt in ILS mode
		REST	NO	Reset to factory default settings
			YES	

Mode	Programming Levels		Description
Dimmer Speed	DIM	OFF	Dimmer speed settings: off, fast, medium, or slow
		dIM1	
		dIM2	
		dIM3	
Offset	OFFS	0–255	Offset (calibration mode)

DMX Configuration

The COLORband PiX M ILS works with a DMX controller. Information about DMX is in the Chauvet DMX Primer, which is available from the Chauvet website http://www.chauvetlighting.com/downloads/DMX_Primer_rev05_WO.pdf.

Personality and Starting Address

The COLORband PiX M ILS uses up to 36 DMX channels in the 36CH DMX mode, which defines the highest configurable address as **477**.

When selecting a starting DMX address, always consider the number of DMX channels the DMX mode uses. If the starting address is set too high, access to some channels could be restricted.

For information about the DMX protocol, download the DMX Primer from www.chauvetdj.com.

To select the personality and starting address, do the following:

1. Press **<MENU>** repeatedly until **5Ch, 6Ch, 8Ch, 10Ch, 17Ch, 32Ch,** or **36Ch** shows on the display.
2. Press **<ENTER>**.
3. Use **<UP>** or **<DOWN>** to select the starting address, from **d. 1–477**.
4. Press **<ENTER>**.

D-Fi USB Connectivity

The COLORband PiX M ILS is able to become a D-Fi wireless receiver/transmitter with the use of the D-Fi USB from Chauvet DJ. Simply set the product's DMX Personality and DMX Address, set the DIP switch D-Fi receiving/transmitting channel, then plug it into the D-Fi USB port.



WARNING! DO NOT plug anything other than a D-Fi USB into the USB port. Doing so may cause damage to the product.



Once plugged in, the D-Fi USB will take over the product. Wired DMX and manual display control / menu buttons will be unavailable until the D-Fi USB is unplugged. The priority levels are:

1. D-Fi USB
2. Wired DMX
3. Manual Digital Display/Menu Buttons

D-Fi USB Compatibility

The D-Fi USB can receive a DMX signal from the D-Fi Hub and the FlareCON Air 2 as well as other D-Fi USB products.

D-Fi USB Configuration

1. Set the DMX Personality and DMX address on the COLORband PiX M ILS.
2. Use the Chart provided to set **BOTH**:
 - the Channel, and then
 - The Receiving or Transmitting option

NOTE: DIP Switch 5 is for Transmitting OR Receiving, please choose carefully.

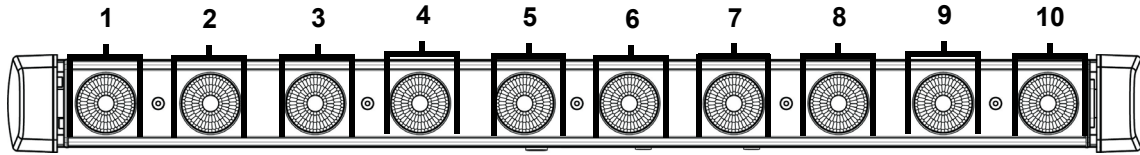
D-Fi USB DIP Switch Channels

Receiving					Receiving					Transmitting					Transmitting								
Ch.	1	2	3	4	T/R	Ch.	1	2	3	4	T/R	Ch.	1	2	3	4	T/R	Ch.	1	2	3	4	T/R
1	█	█	█	█	█	9	█	█	█	█	█	1	█	█	█	█	█	9	█	█	█	█	█
2	█	█	█	█	█	10	█	█	█	█	█	2	█	█	█	█	█	10	█	█	█	█	█
3	█	█	█	█	█	11	█	█	█	█	█	3	█	█	█	█	█	11	█	█	█	█	█
4	█	█	█	█	█	12	█	█	█	█	█	4	█	█	█	█	█	12	█	█	█	█	█
5	█	█	█	█	█	13	█	█	█	█	█	5	█	█	█	█	█	13	█	█	█	█	█
6	█	█	█	█	█	14	█	█	█	█	█	6	█	█	█	█	█	14	█	█	█	█	█
7	█	█	█	█	█	15	█	█	█	█	█	7	█	█	█	█	█	15	█	█	█	█	█
8	█	█	█	█	█	16	█	█	█	█	█	8	█	█	█	█	█	16	█	█	█	█	█

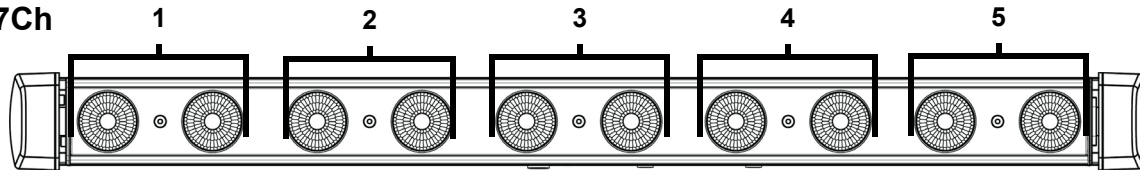
DMX Channel Assignments and Values

Zones for DMX Control

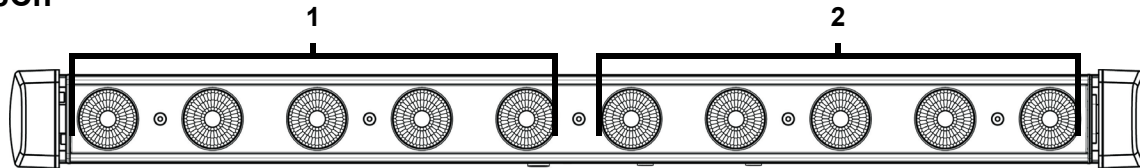
36Ch / 32Ch



17Ch



8Ch



DMX Values

5Ch	6Ch	8Ch	10Ch	17Ch	32Ch	36Ch	Function	Value	Percent/Setting
1	1	-	1	-	-	-	Red	000 ⇔ 255	0-100%
2	2	-	2	-	-	-	Green	000 ⇔ 255	0-100%
3	3	-	3	-	-	-	Blue	000 ⇔ 255	0-100%
-	-	1	-	1	1	1	Red 1	000 ⇔ 255	0-100%
-	-	2	-	2	2	2	Green 1	000 ⇔ 255	0-100%
-	-	3	-	3	3	3	Blue 1	000 ⇔ 255	0-100%
-	-	4	-	4	4	4	Red 2	000 ⇔ 255	0-100%
-	-	5	-	5	5	5	Green 2	000 ⇔ 255	0-100%
-	-	6	-	6	6	6	Blue 2	000 ⇔ 255	0-100%
-	-	-	-	7	7	7	Red 3	000 ⇔ 255	0-100%
-	-	-	-	8	8	8	Green 3	000 ⇔ 255	0-100%
-	-	-	-	9	9	9	Blue 3	000 ⇔ 255	0-100%
-	-	-	-	10	10	10	Red 4	000 ⇔ 255	0-100%
-	-	-	-	11	11	11	Green 4	000 ⇔ 255	0-100%
-	-	-	-	12	12	12	Blue 4	000 ⇔ 255	0-100%
-	-	-	-	13	13	13	Red 5	000 ⇔ 255	0-100%
-	-	-	-	14	14	14	Green 5	000 ⇔ 255	0-100%
-	-	-	-	15	15	15	Blue 5	000 ⇔ 255	0-100%
-	-	-	-	-	16	16	Red 6	000 ⇔ 255	0-100%
-	-	-	-	-	17	17	Green 6	000 ⇔ 255	0-100%
-	-	-	-	-	18	18	Blue 6	000 ⇔ 255	0-100%
-	-	-	-	-	19	19	Red 7	000 ⇔ 255	0-100%

5Ch	6Ch	8Ch	10Ch	17Ch	32Ch	36Ch	Function	Value	Percent/Setting
-	-	-	-	-	20	20	Green 7	000 ⇔ 255	0–100%
-	-	-	-	-	21	21	Blue 7	000 ⇔ 255	0–100%
-	-	-	-	-	22	22	Red 8	000 ⇔ 255	0–100%
-	-	-	-	-	23	23	Green 8	000 ⇔ 255	0–100%
-	-	-	-	-	24	24	Blue 8	000 ⇔ 255	0–100%
-	-	-	-	-	25	25	Red 9	000 ⇔ 255	0–100%
-	-	-	-	-	26	26	Green 9	000 ⇔ 255	0–100%
-	-	-	-	-	27	27	Blue 9	000 ⇔ 255	0–100%
-	-	-	-	-	28	28	Red 10	000 ⇔ 255	0–100%
-	-	-	-	-	29	29	Green 10	000 ⇔ 255	0–100%
-	-	-	-	-	30	30	Blue 10	000 ⇔ 255	0–100%
-	-	-	4	-	-	-	Color macros	000 ⇔ 015 016 ⇔ 255	No function Color macros
-	-	-	5	-	-	31	Strobe (When Ch. 32/6 is 000 ⇔ 031)	000 ⇔ 015 016 ⇔ 255	No function Strobe, slow to fast
-	-	Program speed (When Ch. 32/6 is 032 ⇔ 223)		000 ⇔ 255	Program speed, slow to fast				
-	-	Sound sensitivity (When Ch. 32/6 is 224 ⇔ 255)		000 ⇔ 010 011 ⇔ 255	Off Sound sensitivity, low to high				
-	-	-	6	-	-	32	Auto programs	000 ⇔ 031	No function
-	-	-		032 ⇔ 045	Auto program 1				
-	-	-		046 ⇔ 059	Auto program 2				
-	-	-		060 ⇔ 072	Auto program 3				
-	-	-		073 ⇔ 086	Auto program 4				
-	-	-		087 ⇔ 100	Auto program 5				
-	-	-		101 ⇔ 113	Auto program 6				
-	-	-		114 ⇔ 127	Auto program 7				
-	-	-		128 ⇔ 141	Auto program 8				
-	-	-		142 ⇔ 154	Auto program 9				
-	-	-		155 ⇔ 168	Auto program 10				
-	-	-		169 ⇔ 182	Auto program 11				
-	-	-		183 ⇔ 195	Auto program 12				
-	-	-		196 ⇔ 209	Auto program 13				
-	-	-	210 ⇔ 223	Auto program 14					
-	-	-	224 ⇔ 255	Sound-active program					
-	4	-	7	-	-	33	Dimmer	000 ⇔ 255	0–100%
4	5	7	8	16	31	34	Tilt	000 ⇔ 255	0–100%
5	6	8	9	17	32	35	Tilt speed	000 ⇔ 255	Tilt speed, fast to slow

5Ch	6Ch	8Ch	10Ch	17Ch	32Ch	36Ch	Function	Value	Percent/Setting
-	-	-	10	-	-	36	Dimmer speed mode	000 ⇔ 051	Dimmer speed set from display
								052 ⇔ 101	Dimmer speed mode off
								102 ⇔ 152	Dimmer speed mode 1 fast
								153 ⇔ 203	Dimmer speed mode 2 medium
								204 ⇔ 255	Dimmer speed mode 3 slow

Standalone Configuration

Set the product in the standalone mode to control without a DMX controller.



Never connect a product that is operating in any standalone mode to a DMX string connected to a DMX controller. Products in standalone mode may transmit DMX signals that could interfere with the DMX signals from the controller.

Static Color Mode

To run the COLORband PiX M ILS on a static color, follow the instructions below.

1. Press **<MENU>** repeatedly until **C--** shows on the display.
2. Press **<ENTER>**.
3. Use **<UP>** or **<DOWN>** to select a static color, from **C 1–18**.
4. Press **<ENTER>**.

Automatic Program

To run a program on the COLORband PiX M ILS, follow the instructions below.

1. Press **<MENU>** repeatedly until **P--** shows on the display.
2. Press **<ENTER>**.
3. Use **<UP>** or **<DOWN>** to select an automatic program, from **P 1–14**.
4. Press **<ENTER>**.

Auto Program Speed

To adjust the auto program speed on the COLORband PiX M ILS, do the following:

1. Press **<MENU>** repeatedly until **S--** shows on the display.
2. Use **<UP>** or **<DOWN>** to increase or decrease the program speed, from **S. 001–100**.
3. Press **<ENTER>**.

Sound-Active Programs

To run the COLORband PiX M ILS with a sound-active program, follow the instructions below.

1. Press **<MENU>** repeatedly until **Snd** shows on the display.
2. Press **<ENTER>**.

Sound Sensitivity

To set the sound sensitivity on the COLORband PiX M ILS, do the following:

1. Press **<MENU>** repeatedly until **SenS** shows on the display.
2. Use **<UP>** or **<DOWN>** to increase or decrease the sound sensitivity, from **U.001–100**.
3. Press **<ENTER>**.

Custom Color Mixing

To mix a custom color on the COLORband PiX M ILS, do the following:

1. Press **<MENU>** repeatedly until **u--** shows on the display.
2. Press **<ENTER>** and one of the following will show on the display:
 - **r. ___** (red)
 - **g. ___** (green)
 - **b. ___** (blue)
3. Press **<ENTER>** to cycle through the options.
4. Use **<UP>** or **<DOWN>** to increase or decrease the selected value, from **0–255**.
5. Repeat steps 3 and 4 until the color is set as desired.

Dimmer

To set the dimmer value on the COLORband PiX M ILS, follow the instructions below.

1. Press **<MENU>** repeatedly until **dim** shows on the display.
2. Press **<ENTER>**.
3. Use **<UP>** or **<DOWN>** to set the dimmer, from **dim1** (fast) to **dim3** (slow) or **OFF**.
4. Press **<ENTER>**.

Operation

RF Control

To lock/unlock the touchscreen on the COLORband PiX M ILS, do the following:

1. Press **<MENU>** repeatedly until **SEt** shows on the display. Press **<ENTER>**.
2. Use **<UP>** or **<DOWN>** to select **RF**. Press **<ENTER>**.
3. Use **<UP>** or **<DOWN>** to select **Link** (Link to a single remote), **PubL** (Public mode), or **oFF** (deactivates RFC remote control).
4. Press **<ENTER>**.



Password: **<UP>**, **<DOWN>**, **<UP>**, **<DOWN>**, **<ENTER>**

Factory Reset

To reset the COLORband PiX M ILS to default factory settings, follow the instructions below:

1. Press **<MENU>** repeatedly until **SEt** shows on the display. Press **<ENTER>**.
2. Use **<UP>** or **<DOWN>** to select **RESt**. Press **<ENTER>**.

Master/Slave Mode

The Master/Slave mode allows a single COLORband PiX M ILS product (the “master”) to control the actions of one or more COLORband PiX M ILS products (the “slaves”) without the need of a DMX controller. The master product will be set to operate in standalone, while the slave products will be set to operate in Slave mode. Once set and connected, the slave products will operate in unison with the master product.

Configure the products as indicated below.

Slave products:

1. Press <MENU> repeatedly until **5Ch, 6Ch, 8Ch, 10Ch, 17Ch, 32Ch, or 36Ch** shows on the display.
2. Press <ENTER>.
3. Set the DMX address to **d001**.
4. Connect the DMX input of the first slave product to the DMX output of the master product.
5. Connect the DMX input of the subsequent slave products to the DMX output of the previous slave product.
6. Finish setting and connecting all the slave products.

Master product:

1. Press <MENU> repeatedly to go to the desired function or program.
2. Press <ENTER>.
3. Set the master product to operate in standalone.
4. Make the master product the first product in the DMX daisy chain.



- **Configure all the slave products before connecting the master to the daisy chain.**
- **Never connect a DMX controller to a DMX string configured for Master/Slave operation because the controller may interfere with the signals from the master.**
- **Do not connect more than 15 slaves to the master.**

D-Fi USB Master/Slave Mode

The D-Fi USB allows a single COLORband PiX M ILS product (the “master”) to control the actions of one or more COLORband PiX M ILS products (the “slaves”) without the need of a DMX controller or DMX cables. The master (transmitter) product will be set to operate in standalone mode, while the slave (receiver) products will be set to operate in DMX mode. Once set and connected, the slave products will operate in unison with the master product.

Configure the products as indicated below.

Slave products:

1. Press <MENU> repeatedly until **3-Ch** shows on the display.
2. Press <ENTER>.
3. Use <UP> or <DOWN> to set the starting address to **d 1**.
4. Press <ENTER>.
5. Set the D-Fi USB to receive on a specific channel, 1–16.
6. Plug in the D-Fi USB.
7. Finish setting and connecting all the slave products.

Master product:

1. Set the master product to operate in standalone mode.
2. Set the D-Fi USB to transmit on the D-Fi channel the slaves are receiving on.
3. Plug in the D-Fi USB.



- **All products must be set to the same DMX personality, DMX address, and D-Fi channel.**
- **Configure all the slave products before configuring the master to transmit.**
- **Never connect a DMX controller to a D-Fi channel configured for Master/Slave operation because the controller may interfere with the signals from the master.**

ILS Mode

ILS (Integrated Lighting System) provides 4 modes that synchronize with the GigBAR MOVE+ILS: Modes 1 and 3 synchronize with side 1 of the GigBAR MOVE+ILS, whereas modes 2 and 4 synchronize with side 2 of the GigBAR MOVE+ILS. When linked, effects will sync with the most similar effect on the selected side of the GigBAR MOVE+ILS: Kinta effects will sync with one of the kintas, moving heads will sync with one of the moving heads, and wash effects will sync with one of the pars. Laser effects will sync with the laser, and strobe effects will sync with the strobe effects regardless of ILS mode.

This product will synchronize with the par effect on the selected side of the GigBAR MOVE+ILS.

To set the COLORband PiX M ILS to respond to an ILS signal:

1. Press <MENU> repeatedly until **iLS_** shows on the display.
2. Use <UP> or <DOWN> to select from **iLS1** (side 1), **iLS2** (side 2), **iLS3** (side 1), or **iLS4** (side 2).
3. Press <ENTER>.

RFC Remote Control Operation

RFC	Button	Function
	<BLACK OUT>	Press to turn off all lights until the button is pressed again
	<STROBE>	Press to toggle strobe, then use <+> or <-> to increase or decrease strobe speed
	<DIMMER>	Press then use <+> or <-> to increase or decrease the dimmer
	<AUTO>	Press to activate automatic mode, then use <+> or <-> to select a program
	<SPD/SENS>	Press then use <+> or <-> to increase or decrease speed or sensitivity in Auto or Sound mode
	<SOUND>	Press to activate sound-active mode, then use <+> or <-> to select a program
	<->	Press to decrease speed, sensitivity, or the dimmer/color value, or to scroll down the list of programs
	<+>	Press to increase speed, sensitivity, or the dimmer/color value, or to scroll up the list of programs
	<FREEZE>	Press to stop all movement and color chasing
	<R>	In manual mode, press then use <+> or <-> to increase or decrease the red value
	<G>	In manual mode, press then use <+> or <-> to increase or decrease the green value
		In manual mode, press then use <+> or <-> to increase or decrease the blue value
	<FADE/SNAP>	Press to toggle between fade and snap programs
	<MANUAL>	Press to activate manual mode
	<PRESET/COLOR>	Press to activate presets/colors, then use <+> or <-> to select a preset/color



The RFC remote will not respond to any inputs when Freeze or Black Out is activated. If the remote does not respond when a button is pressed, try pressing <FREEZE> or <BLACK OUT>. Freeze or Black Out may have been inadvertently activated.

5. Maintenance

Product Maintenance

Dust build-up reduces light output performance and can cause overheating. This can lead to reduction of the light source's life and/or mechanical wear. To maintain optimum performance and minimize wear, clean all lighting products at least twice a month. However, be aware that usage and environmental conditions could be contributing factors to increase the cleaning frequency.

To clean the product, follow the instructions below:

1. Unplug the product from power.
2. Wait until the product is at room temperature.
3. Use a vacuum (or dry compressed air) and a soft brush to remove dust collected on the external surface/vents.
4. Clean all transparent surfaces with a mild soap solution, ammonia-free glass cleaner, or isopropyl alcohol.
5. Apply the solution directly to a soft, lint-free cotton cloth or a lens-cleaning tissue.
6. Softly drag any dirt or grime to the outside of the transparent surface.
7. Gently polish the transparent surfaces until they are free of haze and lint.



Always dry the transparent surfaces carefully after cleaning them.

6. Technical Specifications

Dimensions and Weight

Length	Width	Height	Weight
31 in (785 mm)	2.6 in (67 mm)	4.8 in (123 mm)	8.2 lb (3.7 kg)

Note: Dimensions in inches are rounded.

Power

Power Supply Type	Range	Voltage Selection
Switching (internal)	100 to 240 VAC, 50/60 Hz	Auto-ranging

Parameter	120 V, 60 Hz	230 V, 50 Hz
Consumption	86 W	84 W
Operating current	1.2 A	0.7 A
Power-linking current (products)	1.2 A (12 products)	1.2 A (20 products)
Fuse	T 2 AL, 250 V	T 2 AL, 250 V

Power I/O	U.S./Worldwide	UK/Europe
Power input connector	powerCON [®] compatible	powerCON [®] compatible
Power output connector	powerCON [®] compatible	powerCON [®] compatible
Power cord plug	Edison	Bare wire

Light Source

Type	Color	Quantity	Power	Current	Lifespan
LED	Tri-color RGB	10	6 W	2 A	50,000 hours

Photometrics

Beam Angle	Field Angle	Illuminance @ 2 m
15°	27°	7,441 lux

Thermal

Maximum External Temperature	Cooling System
104 °F (40 °C)	Convection

DMX

I/O Connector	Channel Range
3-pin and 5-pin XLR	5, 6, 8, 10, 17, 32, or 36

Ordering

Product Name	Item Code	UPC Number
COLORband PiX M ILS	10032031	781462223793



Contact Us

General Information	Technical Support
Chauvet World Headquarters	
Address: 3360 Davie Rd., Suite 509 Davie, FL 33314 Voice: (954) 577-4455 Fax: (954) 929-5560 Toll Free: (800) 762-1084	Voice: (844) 393-7575 Fax: (954) 756-8015 Email: chauvetcs@chauvetlighting.com Website: www.chauvetdj.com
Chauvet U.K.	
Address: Pod 1 EVO Park Little Oak Drive, Sherwood Park Nottinghamshire, NG15 0EB UK Voice: +44 (0) 1773 511115 Fax: +44 (0) 1773 511110	Email: UKtech@chauvetlighting.eu Website: www.chauvetdj.eu
Chauvet Benelux	
Address: Vaartlaan 9 9800 Deinze Belgium Voice: +32 9 388 93 97	Email: BNLtech@chauvetlighting.eu Website: www.chauvetdj.eu
Chauvet France	
Address: 3, Rue Ampère 91380 Chilly-Mazarin France Voice: +33 1 78 85 33 59	Email: FRtech@chauvetlighting.fr Website: www.chauvetdj.eu
Chauvet Germany	
Address: Bruno-Bürgel-Str. 11 28759 Bremen Germany Voice: +49 421 62 60 20	Email: DEtech@chauvetlighting.de Website: www.chauvetdj.eu
Chauvet Mexico	
Address: Av. de las Partidas 34 - 3B (Entrance by Calle 2) Zona Industrial Lerma Lerma, Edo. de México, CP 52000 Voice: +52 (728) 690-2010	Email: servicio@chauvet.com.mx Website: www.chauvetdj.mx

Warranty & Returns

For warranty terms and conditions and return information, please visit our website.

For customers in the United States and Mexico: www.chauvetlighting.com/warranty-registration.

For customers in the United Kingdom, Republic of Ireland, Belgium, the Netherlands, Luxembourg, France, and Germany: www.chauvetlighting.eu/warranty-registration.