

Cosmos HP

User Manual



TABLE OF CONTENTS

1. Before You Begin	1
What Is Included	1
Unpacking Instructions	1
Claims	1
Text Conventions	1
Symbols	1
Safety Notes.....	2
Disclaimer	2
2. Introduction.....	3
Product Overview.....	3
Product Dimensions	4
3. Setup.....	5
AC Power	5
Fuse Replacement.....	5
Power Linking.....	5
Mounting	6
Orientation.....	6
Rigging.....	6
4. Operation.....	7
Control Panel Operation.....	7
Menu Map	7
Configuration (DMX)	7
DMX Personality and Starting Address.....	7
DMX Channel Assignments and Values	8
Configuration (Standalone)	10
Automatic Program	10
Auto Program Speed.....	10
Motor Rotation Speed	10
Static Color Mode.....	10
Sound-Active Programs	10
Sound Sensitivity.....	10
Factory Reset.....	10
IRC-6 Infrared Remote Control	11
Master/Slave Mode	12
5. Maintenance.....	13
Product Maintenance	13
6. Technical Specifications.....	14
Contact Us.....	15
Warranty & Returns.....	15

1. Before You Begin

What Is Included

- Cosmos HP
- Power cable
- Hanging bracket
- Quick Reference Guide

Unpacking Instructions

Carefully unpack the product immediately and check the container to make sure all the parts are in the package and are in good condition.

Claims




If the box or the contents (the product and included accessories) appear damaged from shipping, or show signs of mishandling, notify the carrier immediately, not Chauvet. Failure to report damage to the carrier immediately may invalidate a claim. In addition, keep the box and contents for inspection.

For other issues, such as missing components or parts, damage not related to shipping, or concealed damage, file a claim with Chauvet within 7 days of delivery.

Text Conventions

Convention	Meaning
1–512	A range of values
50/60	A set of values of which only one can be chosen
Settings	A menu option not to be modified
<ENTER>	A key to be pressed on the product's control panel
ON	A value to be entered or selected

Symbols

Symbol	Meaning
	Critical installation, configuration, or operation information. Not following these instructions may make the product not work, cause damage to the product, or cause harm to the operator.
	Important installation or configuration information. The product may not function correctly if this information is not used.
	Useful information.

Safety Notes



- **ALWAYS:**
 - ◆ Connect to a grounded circuit.
 - ◆ Connect to operating voltages as specified on the product's spec sticker.
 - ◆ Disconnect from power before replacing the fuse.
 - ◆ Disconnect from its power source during periods of inactivity.
 - ◆ Use a safety cable when suspending overhead.
 - ◆ Heed all restrictions and warnings on the spec sticker.
 - ◆ Mount in a location with at least 20 in (50 cm) of ventilation.
 - ◆ Replace the fuse with the same type and rating.
 - ◆ Use a clamp with a captive bolt when a single hanging bracket is used.



- In the event of a serious operating problem, stop using immediately.
- **DO NOT:**
 - ◆ Open this product or attempt any repairs. It contains no user-serviceable parts.
 - ◆ Look at the light source when the product is on.
 - ◆ Use if the power cord is crimped or damaged.
 - ◆ Disconnect by pulling on the power cord.
 - ◆ Allow flammable materials close to the product when it is operating.
 - ◆ Touch the housing when it is on.
 - ◆ Block any ventilation holes/slots in the housing.
 - ◆ Connect to a dimmer or rheostat.
 - ◆ Carry the product by its power cord.
 - ◆ Operate in temperatures higher than 104°F (40°C).
 - ◆ Expose to environments that exceed the Ingress Protection (IP) rating.
 - ◆ Expose to rain or moisture.
 - ◆ Use outdoors.
 - ◆ Expose to corrosive environmental conditions such as temperature, humidity, salinity, pressure, radiation, or shock.
 - ◆ Set this product on a flammable surface.

Disclaimer

Chauvet believes that the information contained in this manual is accurate in all respects. However, Chauvet assumes no responsibility and specifically disclaims any and all liability to any party for any loss, damage or disruption caused by any errors or omissions in this document, whether such errors or omissions result from negligence, accident or any other cause. Chauvet reserves the right to revise the content of this document without any obligation to notify any person or company of such revision, however, Chauvet has no obligation to make, and does not commit to make, any such revisions. Download the latest version from www.chauvetdj.com.

The works of authorship contained in this manual, including, but not limited to, all design, text and images are owned by Chauvet.

© Copyright 2023 Chauvet & Sons, LLC. All rights reserved.

Electronically published by Chauvet in the United States of America.

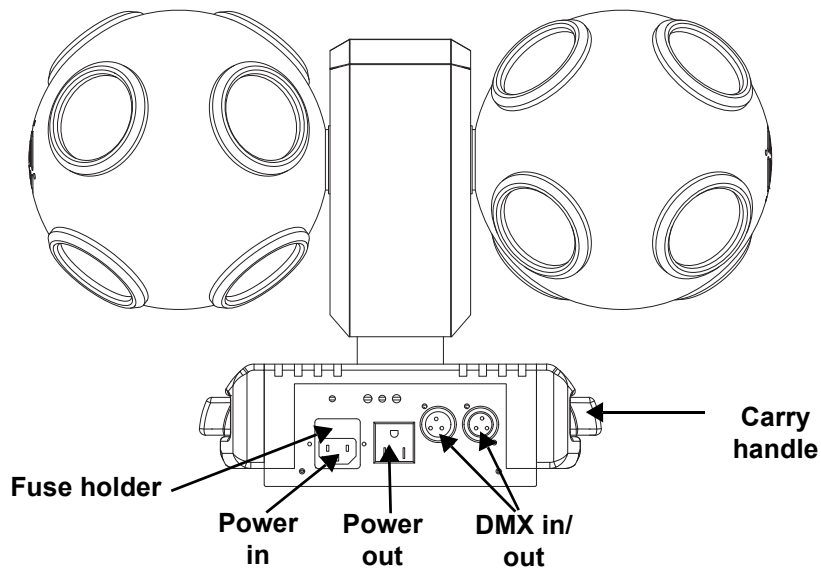
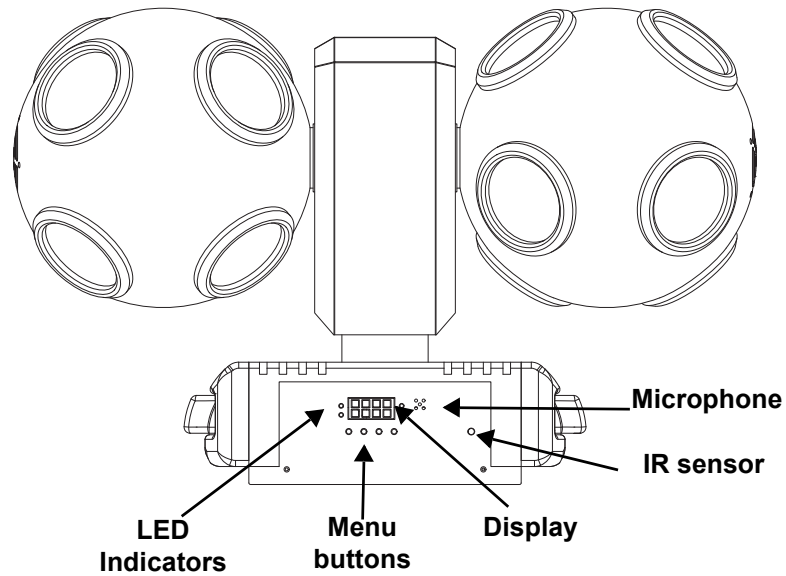
CHAUVET, the Chauvet logo, and Cosmos HP are registered trademarks or trademarks of Chauvet & Sons LLC (d/b/a Chauvet and Chauvet Lighting) in the United States and other countries. Other company and product names and logos referred to herein may be trademarks of their respective companies.



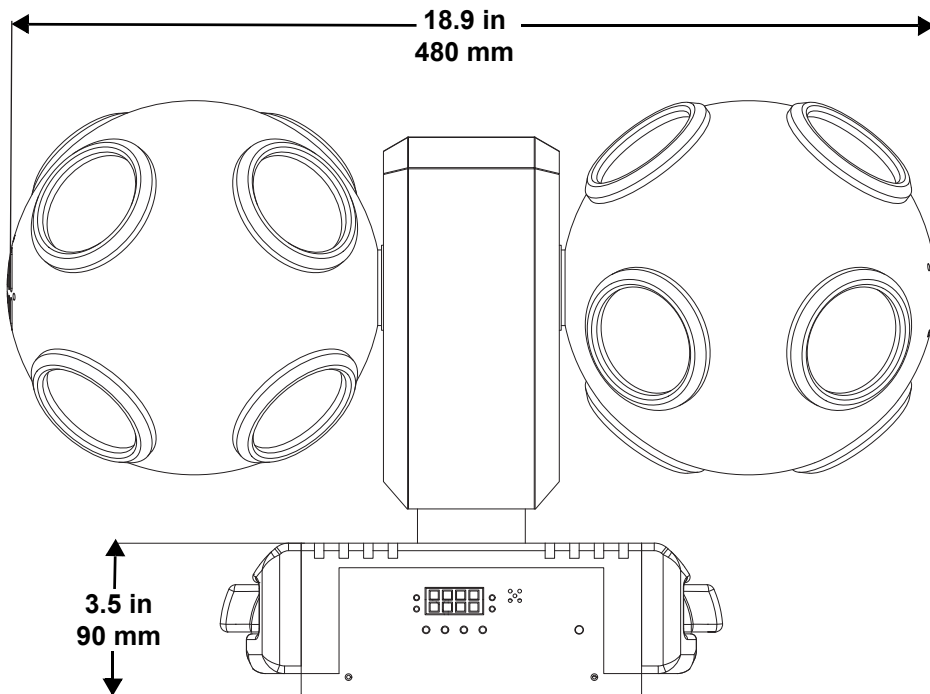
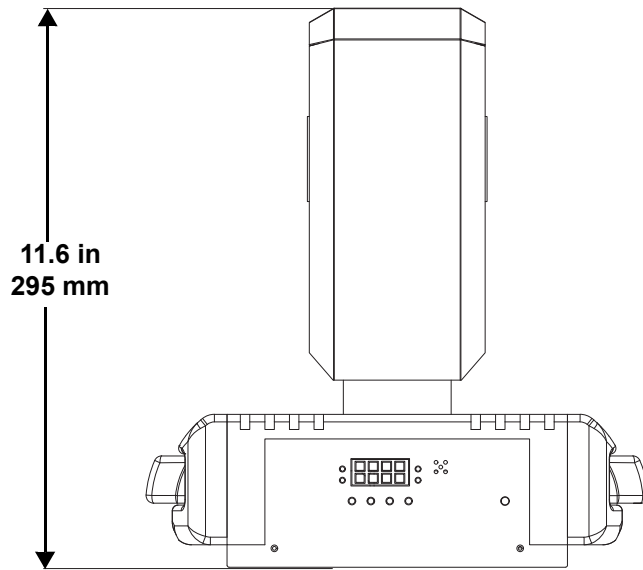
Keep this User Manual for future use. If the product is sold to someone else, be sure that they also receive this document.

2. Introduction

Product Overview



Product Dimensions



3. Setup

AC Power

The Cosmos HP has an auto-ranging power supply, and it can work with an input voltage range of 100 to 240 VAC, 50/60 Hz.

To determine the product's power requirements (circuit breaker, power outlet, and wiring), use the current value listed on the label affixed to the product's back panel, or refer to the product's specifications chart.

The listed current rating indicates the product's average current draw under normal conditions.



- **Always connect the product to a protected circuit (a circuit breaker or fuse). Make sure the product has an appropriate electrical ground to avoid the risk of electrocution or fire.**
- **To eliminate unnecessary wear and improve its lifespan, during periods of non-use completely disconnect the product from power via breaker or by unplugging it.**



Never connect the product to a rheostat (variable resistor) or dimmer circuit, even if the rheostat or dimmer channel serves only as a 0 to 100% switch.

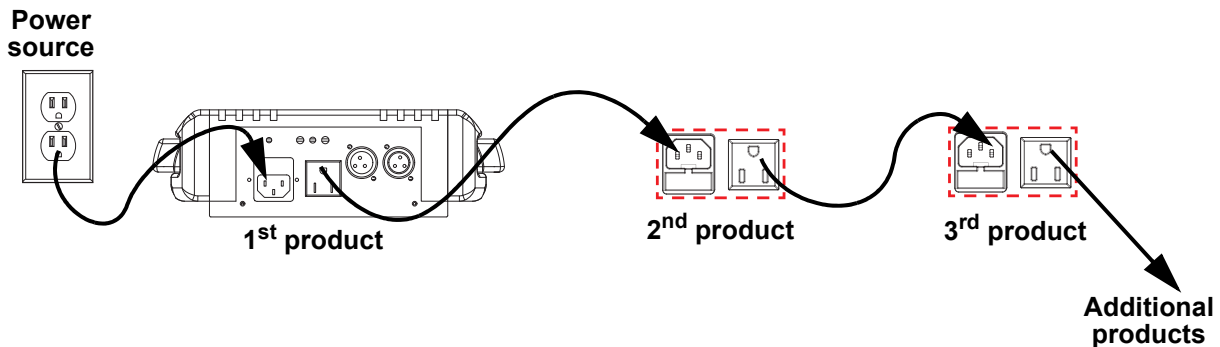
Fuse Replacement

1. Disconnect the product from power.
2. Using a Phillips-head screwdriver, unscrew the fuse holder and pull it straight out.
3. Remove the blown fuse from the holder and replace with a fuse of the exact same type and rating.
4. Re-insert the fuse holder and reconnect power.

Power Linking

The product provides power linking via the outlet located in the back of the product. See the diagram below for further explanation.

Power Linking Diagram



It is possible to link up to 50 Cosmos HP products on 120 VAC or up to 95 products on 230 VAC.



The power linking diagram shown above corresponds to the North American version of the product ONLY! If using the product in other markets, consult with the local Chauvet distributor as power-linking connectors and requirements may differ by country or region.

Mounting

Before mounting the product, read and follow the safety recommendations indicated in the [Safety Notes](#).

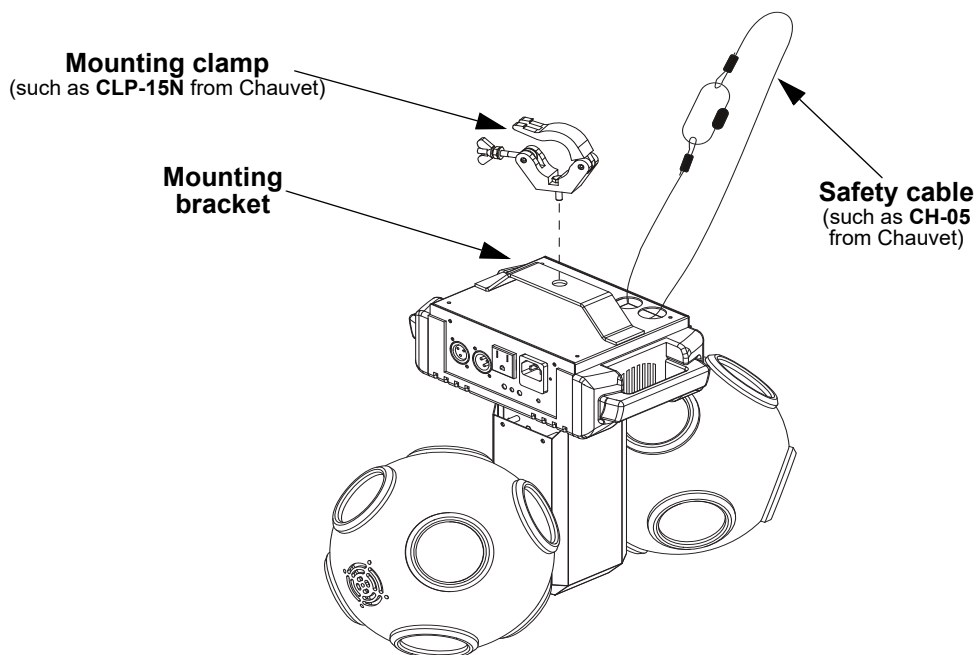
Orientation

The Cosmos HP may be mounted in any position; however, make sure adequate ventilation is provided around the product.

Rigging

- Before deciding on a location, always make sure there is easy access to the product for maintenance and programming.
- Make sure adequate ventilation is provided around the product.
- Mount the product on a structure or surface that can support the product's weight (see the [Technical Specifications](#)).
- Always use a safety cable when mounting the product overhead. Mount the product securely to a rigging point, such as an elevated platform or a truss.
- Use a mounting clamp of appropriate weight capacity when rigging the product onto a truss
- When power linking multiple products, mount the products close enough for power-linking cables to reach.

Mounting Diagram



4. Operation

Control Panel Operation

To access the control panel functions, use the four buttons located underneath the display. Refer to the [Product Overview](#) to see the button locations on the control panel.

Button	Function
<MENU>	Exits from the current menu or function
<UP>	Navigates upwards through the menu list or increases a selected numeric value
<DOWN>	Navigates downwards through the menu list or decreases a selected numeric value
<ENTER>	Enables the currently displayed menu or sets a selected value into the selected function

Menu Map

Refer to the Cosmos HP product page on www.chauvetdj.com for the latest menu map.

Mode	Programming Levels		Description
DMX Mode	6Ch	A001–512	6-channel DMX mode
	23Ch		23-channel DMX mode
Programs	P--	P 1–6	Automatic programs
Auto Speed	S--	S001–100	Program speed for P 1–6
Motor	Mot	M000–100	Standalone motor speed
Static Colors	C--	C001–015	Static colors
Sound Mode	Snd	bo	Sound-active program, blackout without sound
		SLoU	Sound-active program, slow down without sound
Sensitivity	SEnS	u001–100	Sets sound sensitivity
Infrared Mode	SEt	on	Turns infrared on or off
		oFF	

Configuration (DMX)

Set the product in DMX mode to control with a DMX controller.

1. Connect the product to a suitable power outlet.
2. Connect a DMX cable from the DMX output of the DMX controller to the DMX input socket on the product.

DMX Personality and Starting Address

When selecting a starting DMX address, always consider the number of DMX channels the selected DMX mode uses. If the starting address is set too high, access to some of the product’s channels could be restricted.

The Cosmos HP uses up to 23 DMX channels in a **23Ch** DMX mode, which defines the highest recommended address to **490**.

For information about the DMX protocol, download the DMX Primer from www.chauvetdj.com.

To select the starting address, do the following:

1. Press <MENU> repeatedly until **6Ch** or **23Ch** shows on the display.
2. Press <ENTER> and **A001–512** will show on the display.
3. Use <UP> or <DOWN> to select the starting address.
4. Press <ENTER>.

DMX Channel Assignments and Values

6Ch	23Ch	Function	Value	Percent/Setting
1	1	Auto programs	000 ⇔ 005	No function
			006 ⇔ 250	Auto program
			251 ⇔ 255	Sound-active program
2	2	Program speed (when Ch1 is 006 ⇔ 250)	001 ⇔ 255	Automatic program speed, slow to fast
		Sound Sensitivity (when Ch1 is 251 ⇔ 255)	001 ⇔ 255	Sound sensitivity, low to high
–	3	Head 1, red 1	000 ⇔ 255	0–100%
–	4	Head 1 green 1	000 ⇔ 255	0–100%
–	5	Head 1 Blue 1	000 ⇔ 255	0–100%
–	6	Head 1 White 1	000 ⇔ 005	0–100%
–	7	Head 1 Red 2	000 ⇔ 255	0–100%
–	8	Head 1 Green 2	000 ⇔ 255	0–100%
–	9	Head 1 Blue 2	000 ⇔ 255	0–100%
–	10	Head 1 White 2	000 ⇔ 255	0–100%
–	11	Head 2 Red 1	000 ⇔ 255	0–100%
–	12	Head 2 Green 1	000 ⇔ 255	0–100%
–	13	Head 2 Blue 1	000 ⇔ 255	0–100%
–	14	Head 2 White 1	000 ⇔ 255	0–100%
–	15	Head 2 Red 2	000 ⇔ 255	0–100%
–	16	Head 2 Green 2	000 ⇔ 255	0–100%
–	17	Head 2 Blue 2	000 ⇔ 255	0–100%
–	18	Head 2 White 2	000 ⇔ 255	0–100%
3	–	Color macros	000 ⇔ 015	No function
			016 ⇔ 031	Red
			032 ⇔ 047	Green
			048 ⇔ 063	Blue
			064 ⇔ 079	White
			080 ⇔ 095	Green and yellow
			096 ⇔ 111	Red and blue
			112 ⇔ 127	Red and white
			128 ⇔ 143	Green and blue
			144 ⇔ 159	Green and white
			160 ⇔ 175	Blue and white
			176 ⇔ 191	Red, green, and blue
			192 ⇔ 207	Red, green, and white
			208 ⇔ 223	Red, blue, and white
224 ⇔ 239	Green, blue, and white			
240 ⇔ 255	Red, green, blue and white			
4	19	Strobe	000 ⇔ 005	No function
			006 ⇔ 255	Strobe, slow to fast
5	20	Dimmer	000 ⇔ 255	0–100%

6Ch	23Ch	Function	Value	Percent/Setting
6	-	All motors rotation	000 ⇔ 005	No function
			006 ⇔ 127	Rotation, fast to slow
			128 ⇔ 135	No function
			136 ⇔ 250	Reverse rotation, slow to fast
			251 ⇔ 255	Sound mode
-	21	Center motor rotation	000 ⇔ 005	No function
			006 ⇔ 127	Rotation, fast to slow
			128 ⇔ 135	No function
			136 ⇔ 250	Reverse rotation, slow to fast
			251 ⇔ 255	Sound mode
-	22	Head 1 rotation	000 ⇔ 005	No function
			006 ⇔ 127	Rotation, fast to slow
			128 ⇔ 135	Stop
			136 ⇔ 250	Reverse rotation, slow to fast
			251 ⇔ 255	Sound mode
-	23	Head 2 rotation	000 ⇔ 005	No function
			006 ⇔ 127	Rotation, fast to slow
			128 ⇔ 135	No function
			136 ⇔ 250	Reverse rotation, slow to fast
			251 ⇔ 255	Sound mode

Configuration (Standalone)

Set the product in the standalone mode to control without a DMX controller.



Never connect a product that is operating in any standalone mode to a DMX string connected to a DMX controller. Products in standalone mode may transmit DMX signals that could interfere with the DMX signals from the controller.

Automatic Program

To run a program on the Cosmos HP, follow the instructions below.

1. Press **<MENU>** repeatedly until **P--** shows on the display.
2. Press **<ENTER>**.
3. Use **<UP>** or **<DOWN>** to select an automatic program, from **P 1–6**.
4. Press **<ENTER>**.

Auto Program Speed

To adjust the auto program speed on the Cosmos HP, do the following:

1. Press **<MENU>** repeatedly until **S--** shows on the display.
2. Use **<UP>** or **<DOWN>** to increase or decrease the program speed, from **S. 001–100**.
3. Press **<ENTER>**.

Motor Rotation Speed

To set the motor rotation speed for programs and static colors, follow the instructions below:

1. Press **<MENU>** repeatedly until **Mot** shows on the display.
2. Press **<ENTER>**.
3. Use **<UP>** or **<DOWN>** to increase or decrease the rotation speed, from **M000–100**.
4. Press **<ENTER>**.

Static Color Mode

To run the Cosmos HP on a static color, follow the instructions below.

1. Press **<MENU>** repeatedly until **C--** shows on the display.
2. Press **<ENTER>**.
3. Use **<UP>** or **<DOWN>** to select a static color, from **C001–015**.
4. Press **<ENTER>**.

Sound-Active Programs

To run the Cosmos HP with a sound-active program, follow the instructions below.

1. Press **<MENU>** repeatedly until **Snd** shows on the display.
2. Press **<ENTER>**.
3. Press **<ENTER>** to select how the product will respond when no sound is detected, from **bo** (blackout), or **SLoU** (slow down).
4. Press **<ENTER>**.

Sound Sensitivity

To set the sound sensitivity on the Cosmos HP, do the following:

1. Press **<MENU>** repeatedly until **SenS** shows on the display.
2. Use **<UP>** or **<DOWN>** to increase or decrease the sound sensitivity, from **U.0–100**.
3. Press **<ENTER>**.

Factory Reset

To reset the Cosmos HP to default factory settings, follow the instructions below:

1. Press **<MENU>** repeatedly until **SEt** shows on the display. Press **<ENTER>**.
2. Use **<UP>** or **<DOWN>** to select **RESt**. Press **<ENTER>**.

IRC-6 Infrared Remote Control

The Cosmos HP is compatible with the IRC-6 infrared remote control from Chauvet.

To enable or disable IRC-6 functionality, do the following:

1. Press **<MENU>** repeatedly until **SEt** shows on the display.
2. Press **<ENTER>** to select from **on** (enable), or **oFF** (disable).
3. Press **<MENU>** repeatedly until **P--** shows on the display.
4. Use **<UP>** or **<DOWN>** to select an automatic program, from **P 1–6**.
5. Press **<ENTER>**.

Consult the table below to operate the Cosmos HP with the IRC-6.

IRC-6	Button	Function
	<AUTO>	Press to activate automatic mode, then use <+> or <-> to change auto program
	<SOUND>	Press to activate sound-active mode, then use <+> or <-> to increase or decrease sensitivity
	<STROBE>	Press to activate strobe, then use <+> or <-> to increase or decrease strobe speed
	<SPEED>	Press to activate rotation speed, then use <+> or <-> to increase or decrease strobe speed
	<%>	Press then use <+> or <-> to increase or decrease the dimmer
	<+>	Press to increase speed, sensitivity, or the dimmer
	<->	Press to decrease speed, sensitivity, or the dimmer
	<0>	Sets colors to white
	<1>	Sets color to red
	<2>	Sets color to red and green 1
	<3>	Sets color to red and green 2
	<4>	Sets color to green
	<5>	Sets color to green and blue
	<6>	Sets color to blue
	<7>	Sets color to red and blue 1
<8>	Sets color to red and blue 2	
<9>	Sets color to red and green 3	
<BLACK OUT>	Press to turn off all the lights until the button is pressed again. NOTE: The IRC-6 will not respond to any inputs when Black Out is activated. If the product does not respond when a button is pressed, try pressing <BLACK OUT> . Black Out may have been activated.	

Master/Slave Mode

The Master/Slave mode allows a single Cosmos HP product (the “master”) to control the actions of one or more Cosmos HP products (the “slaves”) without the need of a DMX controller. The master product will be set to operate in either standalone mode or with the IRC-6, while the slave products will be set to operate in slave mode. Once set and connected, the slave products will operate in unison with the master product. Configure the products as indicated below.

Slave products:

1. Press **<MENU>** repeatedly until **6Ch** shows on the display.
2. Press **<ENTER>**.
3. Use **<UP>** or **<DOWN>** to set the starting address to **A001**.
4. Press **<ENTER>**.
5. Connect the DMX input of the first slave product to the DMX output of the master product.
6. Connect the DMX input of the subsequent slave products to the DMX output of the previous slave product.
7. Finish setting and connecting all the slave products.

Master product:

1. Set the master product to operate in standalone mode or with the IRC-6.
2. Make the master product the first product in the DMX daisy chain.



- **Configure all the slave products before connecting the master to the daisy chain.**
- **Never connect a DMX controller to a DMX string configured for Master/Slave operation because the controller may interfere with the signals from the master.**
- **Do not connect more than 31 slaves to the master.**

5. Maintenance

Product Maintenance

Dust build-up can cause overheating and mechanical wear. To maintain optimum performance and minimize wear, clean all products at least twice a month. However, be aware that usage and environmental conditions could be contributing factors to increase the cleaning frequency.

To clean the product, follow the instructions below:

1. Unplug the product from power.
2. Wait until the product is at room temperature.
3. Use a vacuum (or dry compressed air) and a soft brush to remove dust collected on the external surface/vents.
4. Clean all transparent surfaces with a mild soap solution, ammonia-free glass cleaner, or isopropyl alcohol.
5. Apply the solution directly to a soft, lint-free cotton cloth or a lens-cleaning tissue.
6. Softly drag any dirt or grime to the outside of the transparent surface.
7. Gently polish the transparent surfaces until they are free of haze and lint.



Always dry the transparent surfaces carefully after cleaning them.

6. Technical Specifications

Dimensions and Weight

Length	Width	Height	Weight
8 in (203 mm)	21.5 in (546 mm)	11.5 in (292 mm)	13.7 lb (6.21 kg)

Note: Dimensions in inches are rounded.

Power

Power Supply Type	Range	Voltage Selection
Switching (internal)	100 to 240 VAC, 50/60 Hz	Auto-ranging

Parameter	120 V, 60 Hz	230 V, 50 Hz
Consumption	149 W	141 W
Operating current	2.2 A	1.1 A
Power-linking current (products)	8 A (50 products)	8 A (95 products)
Fuse	F3 A, 250 V	F3 A, 250 V

Power I/O	U.S./Worldwide	UK/Europe
Power input connector	powerCON [®] compatible	powerCON [®] compatible
Power output connector	powerCON [®] compatible	powerCON [®] compatible
Power cord plug	Neutrik	Local plug

Light Source

Type	Color	Quantity	Power	Current	Lifespan
LED	Quad-color RGBW	16	4W	1 A	50,000 hours

Photometrics

Strobe Rate	Coverage Angle
0 to 20 Hz	360°

Thermal

Maximum External Temperature	Cooling System
104 °F (40 °C)	Convection

DMX

I/O Connector	Channel Range
3-pin XLR	6 or 23

Ordering

Product Name	Item Code	UPC Number
Cosmos HP	07052058	781462224066



RoHS



Contact Us

General Information	Technical Support
Chauvet World Headquarters	
Address: 3360 Davie Rd. Davie, FL 33314 Voice: (954) 577-4455 Fax: (954) 929-5560 Toll Free: (800) 762-1084	Voice: (844) 393-7575 Fax: (954) 756-8015 Email: chauvetcs@chauvetlighting.com Website: www.chauvetdj.com
Chauvet U.K.	
Address: Pod 1 EVO Park Little Oak Drive, Sherwood Park Nottinghamshire, NG15 0EB UK Voice: +44 (0) 1773 511115 Fax: +44 (0) 1773 511110	Email: UKtech@chauvetlighting.eu Website: www.chauvetdj.eu
Chauvet Benelux	
Address: Stokstraat 18 9770 Kruishoutem Belgium Voice: +32 9 388 93 97	Email: BNLtech@chauvetlighting.eu Website: www.chauvetdj.eu
Chauvet France	
Address: 3, Rue Ampère 91380 Chilly-Mazarin France Voice: +33 1 78 85 33 59	Email: FRtech@chauvetlighting.fr Website: www.chauvetdj.eu
Chauvet Germany	
Address: Bruno-Bürger-Str. 11 28759 Bremen Germany Voice: +49 421 62 60 20	Email: DEtech@chauvetlighting.de Website: www.chauvetdj.eu
Chauvet Mexico	
Address: Av. de las Partidas 34 - 3B (Entrance by Calle 2) Zona Industrial Lerma Lerma, Edo. de México, CP 52000 Voice: +52 (728) 690-2010	Email: servicio@chauvet.com.mx Website: www.chauvetdj.mx

Warranty & Returns

For warranty terms and conditions and return information, please visit our website.

For customers in the United States and Mexico: www.chauvetlighting.com/warranty-registration.

For customers in the United Kingdom, Republic of Ireland, Belgium, the Netherlands, Luxembourg, France, and Germany: www.chauvetlighting.eu/warranty-registration.