

# FREEDOM STICK<sup>®</sup> x4

## User Manual



## TABLE OF CONTENTS

<b>1. Before You Begin .....</b>	<b>1</b>
What Is Included .....	1
Unpacking Instructions.....	1
Claims .....	1
Text Conventions .....	1
Symbols .....	1
Disclaimer .....	1
Intellectual Property .....	1
FCC Statement of Compliance .....	2
RF Exposure Warning for North America and Australia.....	2
Safety Notes.....	2
Battery Charge Notes.....	3
<b>2. Introduction.....</b>	<b>4</b>
Product Overview.....	4
Product Dimensions .....	5
<b>3. Setup.....</b>	<b>6</b>
DC Power.....	6
Multi-Charger .....	6
Battery Power.....	6
Charging the Battery.....	6
Battery Life Indicator.....	6
Battery Run Time.....	6
Mounting .....	7
Orientation.....	7
Rigging .....	7
Diffuser Tube.....	8
<b>4. Operation.....</b>	<b>9</b>
Control Panel Operation.....	9
Menu Map .....	9
Configuration (DMX) .....	10
Personality and Starting Address .....	10
D-Fi Configuration .....	10
DMX Channel Assignments and Values .....	11
Configuration (Standalone) .....	14
Preset Color .....	14
Automatic Programs.....	14
Program Speed .....	14
Sound-Active Mode .....	14
Sound Sensitivity .....	14
Custom Color Mixing .....	15
Configuration (Settings) .....	15
LED Mode .....	15
Factory Reset.....	15
RFC Remote Control.....	16
RFC Remote Control Operation .....	16
Master/Slave Mode .....	17
<b>5. Maintenance.....</b>	<b>18</b>
Product Maintenance .....	18
<b>6. Technical Specifications.....</b>	<b>19</b>
<b>Contact Us.....</b>	<b>20</b>
Warranty & Returns.....	20

# 1. Before You Begin

## What Is Included

- 4x Freedom Stick
- 4x diffusion tube
- 4x USB charging cable
- 4x base plate
- Multi-charger
- RFC remote
- Carry bag
- Quick Reference Guide

## Unpacking Instructions

Carefully unpack the product immediately and check the container to make sure all the parts are in the package and are in good condition.

## Claims





If the box or the contents (the product and included accessories) appear damaged from shipping, or show signs of mishandling, notify the carrier immediately, not Chauvet. Failure to report damage to the carrier immediately may invalidate a claim. In addition, keep the box and contents for inspection.

For other issues, such as missing components or parts, damage not related to shipping, or concealed damage, file a claim with Chauvet within 7 days of delivery.

## Text Conventions

Convention	Meaning
<b>1–512</b>	A range of values
<b>50/60</b>	A set of values of which only one can be chosen
<b>Settings</b>	A menu option not to be modified
<b>&lt;ENTER&gt;</b>	A key to be pressed on the product’s control panel
<b>ON</b>	A value to be entered or selected

## Symbols

Symbol	Meaning
	Electrical warning. Not following these instructions may cause electrical damage to the product, accessories, or the user.
	Critical installation, configuration, or operation information. Not following these instructions may make the product not work, cause damage to the product, or cause harm to the operator.
	Important installation or configuration information. The product may not function correctly if this information is not used.
	Useful information.

## Disclaimer

Chauvet believes that the information contained in this manual is accurate in all respects. However, Chauvet assumes no responsibility and specifically disclaims any and all liability to any party for any loss, damage or disruption caused by any errors or omissions in this document, whether such errors or omissions result from negligence, accident or any other cause. Chauvet reserves the right to revise the content of this document without any obligation to notify any person or company of such revision, however, Chauvet has no obligation to make, and does not commit to make, any such revisions. Download the latest version from [www.chauvetdj.com](http://www.chauvetdj.com).

## Intellectual Property

The works of authorship contained in this manual, including, but not limited to, all design, text and images are owned by Chauvet.

© Copyright 2023 Chauvet & Sons, LLC. All rights reserved.

Electronically published by Chauvet in the United States of America.

Chauvet, Chauvet DJ, the Chauvet logo, and Freedom Stick are registered trademarks or trademarks of Chauvet & Sons LLC (d/b/a Chauvet and Chauvet Lighting) in the United States and other countries. Other company and product names and logos referred to herein may be trademarks of their respective companies.

## FCC Statement of Compliance

This device complies with Part 15 Part B of the FCC rules. Operation is subject to the following two conditions:

1. This device may not cause harmful interference, and
2. This device must accept any interference received, including interference that may cause undesired operation.

This equipment has been tested and found to comply with the limits for a Class B digital device, pursuant to Part 15 of the FCC Rules. These limits are designed to provide reasonable protection against harmful interference in a residential installation. This equipment generates uses and can radiate radio frequency energy and, if not installed and used in accordance with the instructions, may cause harmful interference to radio communications. However, there is no guarantee that interference will not occur in a particular installation. If this equipment does cause harmful interference to radio or television reception, which can be determined by turning the equipment off and on, the user is encouraged to try to correct the interference by one or more of the following measures:

- Reorient or relocate the receiving antenna.
- Increase the separation between the equipment and receiver.
- Connect the equipment into an outlet on a circuit different from that to which the receiver is connected.
- Consult the dealer or an experienced radio/TV technician for help.

Any changes or modifications not expressly approved by the party responsible for compliance could void the user's authority to operate the equipment.

## RF Exposure Warning for North America and Australia

**Warning!** This equipment complies with FCC radiation exposure limits set forth for an uncontrolled environment. This equipment should be installed and operated with a minimum distance of 20 cm between the radiator and the user. This transmitter must not be co-located or operating in conjunction with any other antenna or transmitter.

## Safety Notes

These Safety Notes include important information about installation, use, and maintenance of the Freedom Stick.

- **ALWAYS:**
  - ◆ Connect to a grounded circuit.
  - ◆ Connect to operating voltages as specified on the product's spec sticker.
  - ◆ Disconnect from its power source during periods of inactivity.
  - ◆ Heed all restrictions and warnings on the spec sticker.
  - ◆ Mount in a location with at least 20 in (50 cm) of ventilation.
- In the event of a serious operating problem, stop using immediately.
- **DO NOT:**
  - ◆ Open this product or attempt any repairs. It contains no user-serviceable parts.
  - ◆ Look at the light source when the product is on.
  - ◆ Use if the power cord is crimped or damaged.
  - ◆ Disconnect by pulling on the power cord.
  - ◆ Allow flammable materials close to the product when it is operating.
  - ◆ Touch the housing when it is on.
  - ◆ Block any ventilation holes/slots in the housing.
  - ◆ Connect to a dimmer or rheostat.
  - ◆ Carry the product by its power cord.
  - ◆ Operate in temperatures higher than 104°F (40°C).
  - ◆ Expose to environments that exceed the Ingress Protection (IP) rating.
  - ◆ Expose to rain or moisture.
  - ◆ Use outdoors.
  - ◆ Submerge.



**Keep this User Manual for future use. If the product is sold to someone else, be sure that they also receive this document.**

### Battery Charge Notes

Rechargeable lithium-ion batteries are potentially hazardous and can present a serious FIRE HAZARD, SERIOUS INJURY and/or PROPERTY DAMAGE if damaged, defective, or improperly used.

■ **ALWAYS:**

- ◆ Charge using a manufacturer-provided charger while the product is powered off.
- ◆ Charge the battery in temperatures between 32°-95°F (0°-35°C).
- ◆ Allow a depleted battery to charge for a few minutes before turning on the product. If the battery is completely discharged, the device cannot be turned on immediately when the charger is connected.
- ◆ Keep at least 3 ft (1 m) distance to any heat source and away from flammable materials.
- ◆ Keep the lid of any charging case open while charging.
- ◆ Keep batteries away from children.
- ◆ Store batteries between 40-60% charge.
- ◆ Follow local regulations when disposing of batteries.
- ◆ Replace with an authentic Chauvet battery.

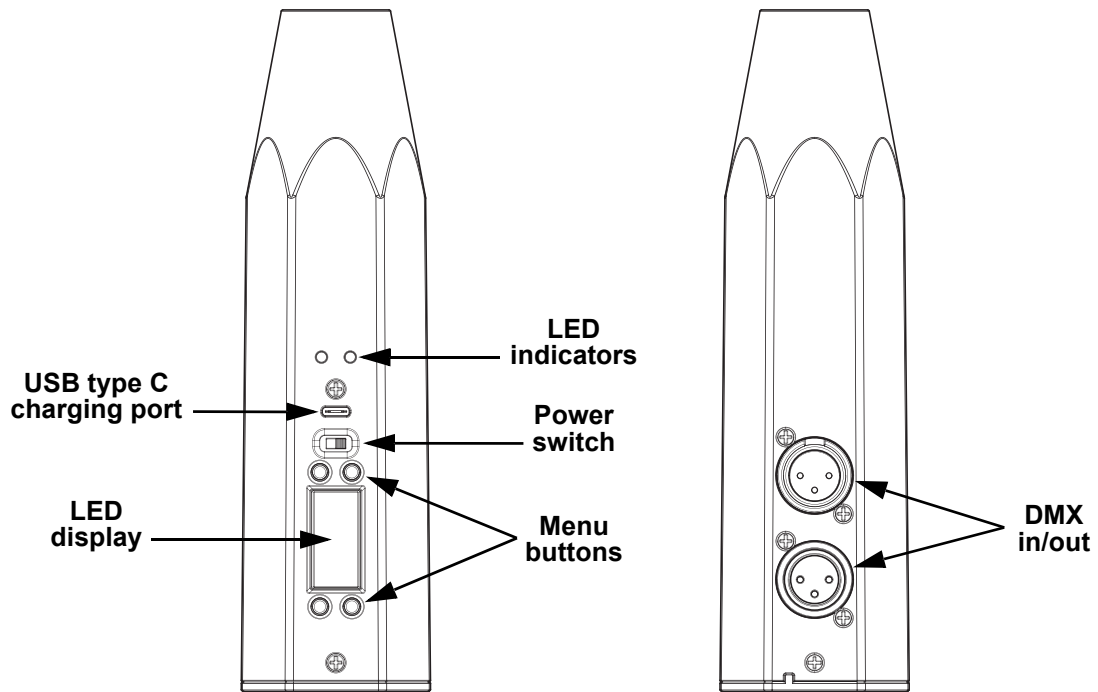


■ **DO NOT:**

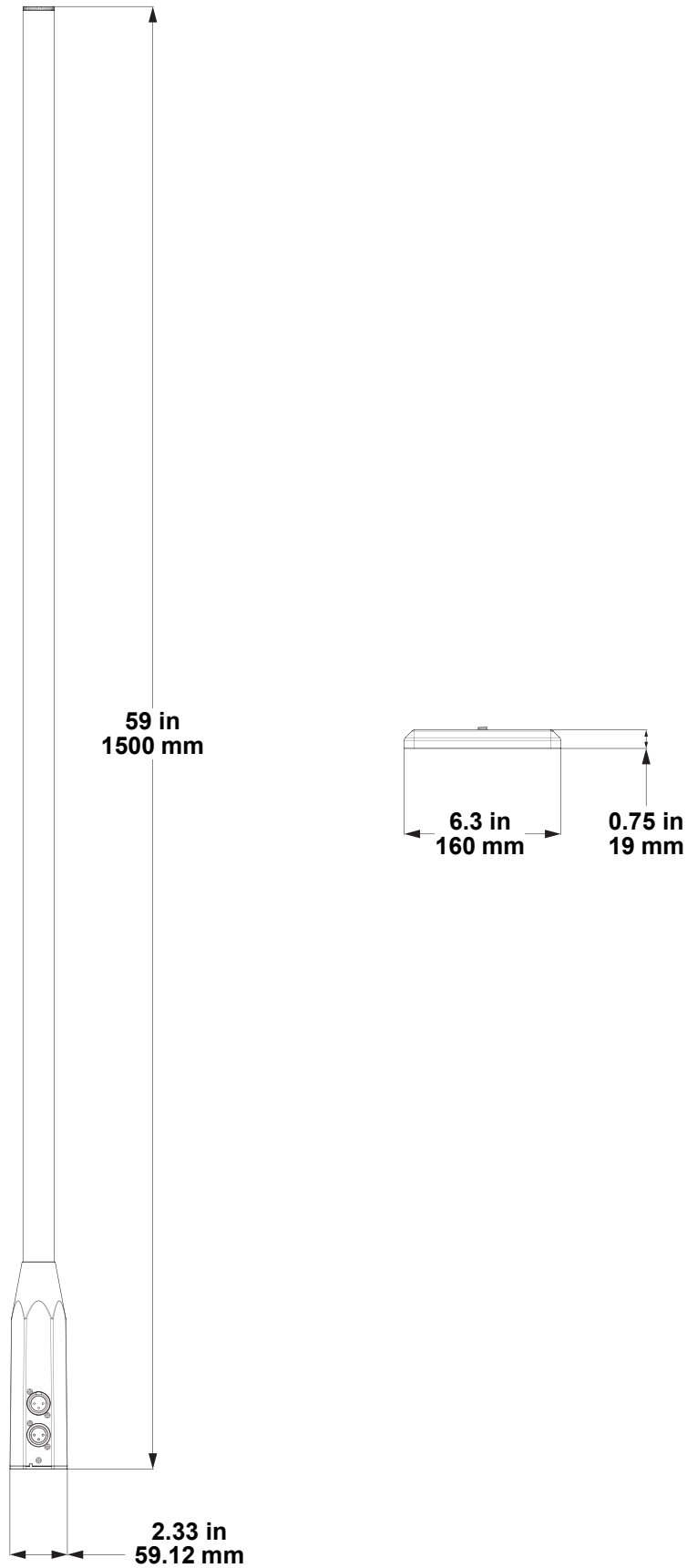
- ◆ Continue charging if the battery becomes hot, smokes, swells, or gives off an odor during charging.
- ◆ Leave the product unattended while charging.
- ◆ Deplete the battery below 10%.
- ◆ Charge the battery in a closed container.
- ◆ Charge for more than 24 hours.

## 2. Introduction

### Product Overview



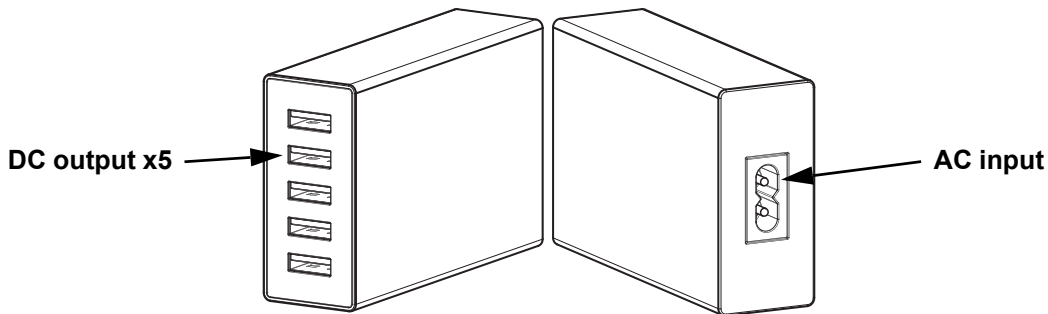
Product Dimensions



### 3. Setup

#### DC Power

#### Multi-Charger



The Freedom Stick X4 comes with a multi-charger which can work with an input voltage range of 100 to 240 VAC, 50/60 Hz and has 5 outputs of 12 V DC.

To determine the multi-charger's power requirements (circuit breaker, power outlet, and wiring), use the current value listed on the label affixed to the product's back panel, or refer to the product's specifications chart. The listed current rating indicates the product's average current draw under normal conditions.



- **Always connect the multi-charger to a protected circuit (a circuit breaker or fuse). Make sure the product has an appropriate electrical ground to avoid the risk of electrocution or fire.**
- **To eliminate unnecessary wear and improve its lifespan, during periods of non-use completely disconnect the product from power via breaker or by unplugging it.**



**Never connect the product to a rheostat (variable resistor) or dimmer circuit, even if the rheostat or dimmer channel serves only as a 0 to 100% switch.**

#### Battery Power

Each Freedom Stick comes with a rechargeable lithium battery for cable-free operation.

#### Charging the Battery

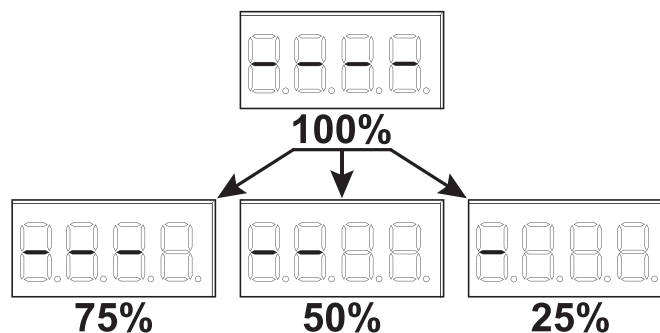
The battery charges whenever the Freedom Stick is plugged into a power source using the included power cord. If the product is plugged in and not in operation, make sure the product is turned off.



- **Before charging the product, read and follow the [Battery Charge Notes](#).**
- **The LED indicator light will flash if units are overcharged.**
- **DO NOT use the Freedom Stick on full power mode (all LEDs at 100%) while being charged/plugged into a power source, as the unit will get extremely hot.**

#### Battery Life Indicator

The indicators on the LED menu display show how much battery life remains available. The drawing below provides a key to reading the battery life indicators.



#### Battery Run Time

Maximum Run Time (360°)	Maximum Run Time (180°)	Maximum Run Time (single color on)	Recharge Time
Up to 5 hours	Up to 10 hours	Up to 20 hours	4 hours



## Mounting

Before mounting the product, read and follow the safety recommendations indicated in the [Safety Notes](#).

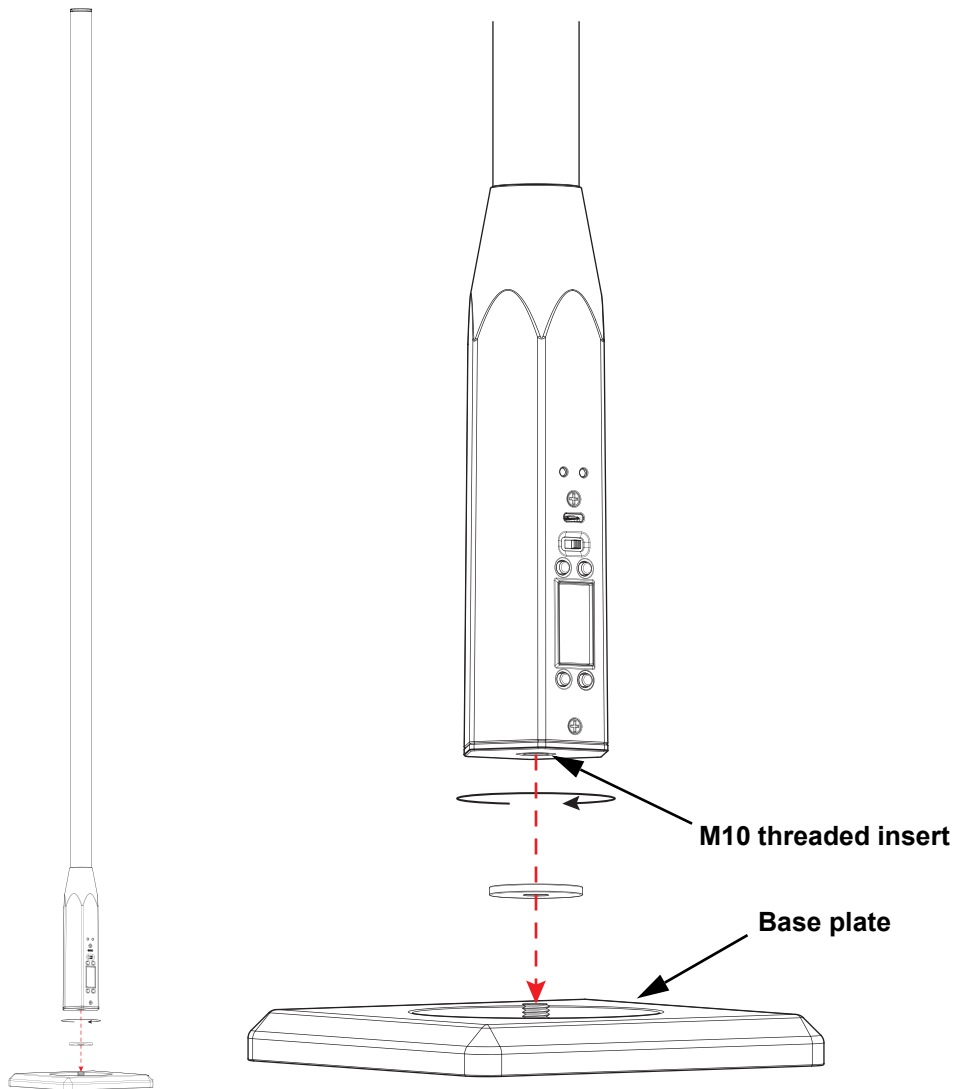
### Orientation

The Freedom Stick may be mounted in any position; however, make sure adequate ventilation is provided around the product.

### Rigging

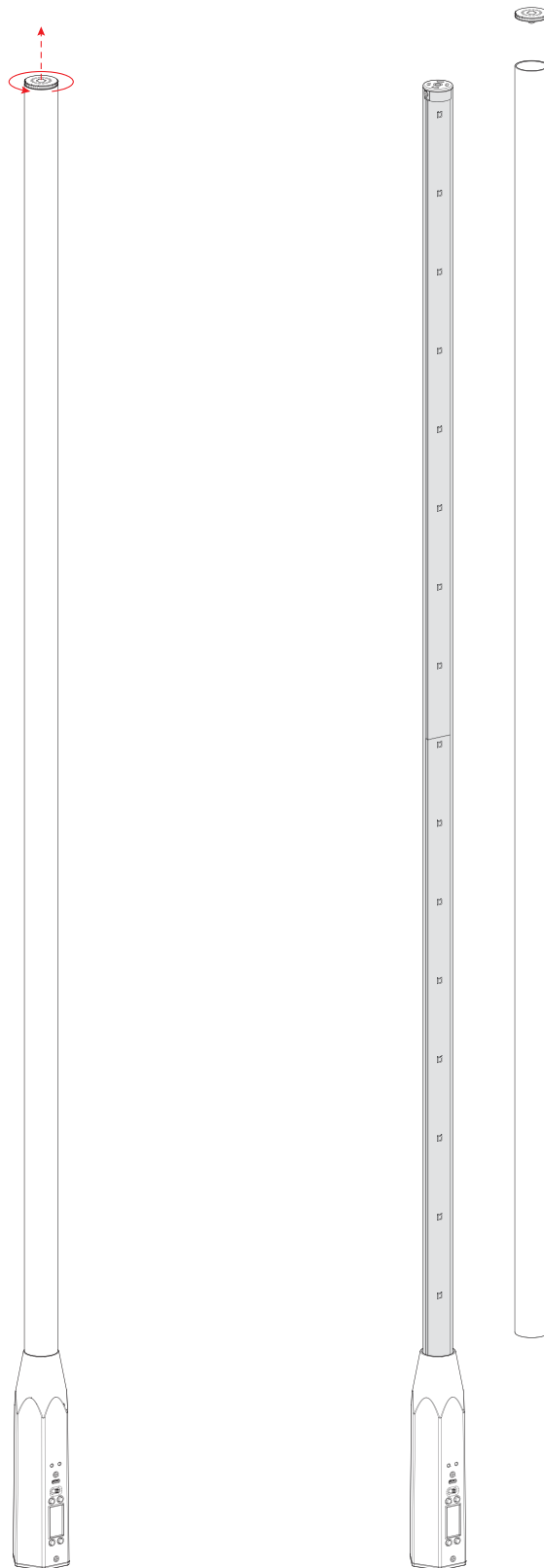
- Before deciding on a location for the product, always make sure there is easy access to the product for maintenance and programming.
- Make sure that the structure and attachment points can support the weight before hanging the product (see the [Technical Specifications](#))
- When mounting the product overhead, always use a safety cable. Mount the product securely to a rigging point, such as an elevated platform or a truss.
- When rigging the product onto a truss, use a mounting clamp of appropriate weight capacity. The When mounting the product on the floor, make sure that the product is away from people and vehicles.

### Mounting Diagram



## Diffuser Tube

Each Freedom Stick comes with an optional diffuser tube installed. To uninstall the diffuser tube, remove the thumbscrew from the top of the product, slide the diffuser tube off, and reinstall the thumbscrew.



## 4. Operation

### Control Panel Operation

To access the control panel functions, use the four buttons located underneath the display. Please refer to the [Product Overview](#) to see the button locations on the control panel.

Button	Function
<MENU>	Press to find an operation mode or to back out of the current menu option
<UP>	Press to scroll up the list of options or to find a higher value
<DOWN>	Press to scroll down the list of options or to find a lower value
<ENTER>	Press to activate a menu option or a selected value

### Menu Map

Refer to the Freedom Stick product page on [www.chauvetdj.com](http://www.chauvetdj.com) for the latest menu map.

Mode	Programming Levels		Description	
DMX mode	3Ch	d001–510	Selects DMX personality and starting address	
	8Ch			
	48Ch			
	50Ch			
Preset color	C--	C 1–7	Selects a static color	
Automatic program	P--	P 1–21	Selects automatic program 1–21	
		P 22–27	1--r    2--r	Selects automatic program 22–27, color 1, and color 2
			1--G    2--G	
			1--b    2--b	
			1-Gb    2-Gb	
			1-rb    2-rb	
			1-rG    2-rG	
			1rGb    2rGb	
		1oFF    2oFF		
			P 28	Cycles automatic programs 1–21
	P 29–34	Selects a program designed for master/slave		
	P 35	Cycles automatic programs 29–34		
Speed	S--	S. 1–100	Sets the automatic program speed	
Sound mode	Snd	Snd1	Selects sound-active mode	
		Snd2		
Sensitivity	SenS	u. 1–100	Sets the sound sensitivity	
Custom color	u--	r. 0–255	Combines red, green, and blue to make a custom color (0–100%)	
		G. 0–255		
		b. 0–255		
RF mode	SEt	rF	PubL	Allows the fixture to respond to all RF signals
			oFF	Turns off RF reception
			Link	Links the fixture to a single RF remote
rF-G		Gro1–4	Sets which group of fixture the RFC-XL remote will control	
LED mode		LEd	ALL	360°, back and front LEDs
			Fron	180°, front LEDs only
	bACK		180°, back LEDs only	
Reset	rESt	no	Resets the product to factory default settings	
		YES		

Mode	Programming Levels			Description	
D-Fi	S-tr	on	dtCh	dt01–16	Selects a D-Fi channel to transmit
			drCh	dr01–16	Selects a D-Fi channel to receive
		oFF			Turns off D-Fi
Slave mode	SLA	SLA1–4		Selects slave mode 1–4	



For programs 22–27, color 1 and 2 cannot be assigned the same color.

## Configuration (DMX)

The Freedom Stick works with a DMX controller via a 3-pin DMX or wireless D-Fi connection. Information about DMX is in the CHAUVET DMX Primer, which is available from the Chauvet website [chauvetlighting.com/downloads/DMX\\_Primer\\_rev05\\_WO.pdf](http://chauvetlighting.com/downloads/DMX_Primer_rev05_WO.pdf).

### Personality and Starting Address

The Freedom Stick uses up to 50 DMX channels in the **50Ch** DMX mode, which defines the highest configurable address to **463**.

For information about the DMX protocol, download the DMX Primer from [www.chauvetdj.com](http://www.chauvetdj.com).

To select the personality and starting address, do the following:

1. Press **<MENU>** repeatedly until **3Ch**, **8Ch**, **48Ch**, or **50Ch** shows on the display.
2. Press **<ENTER>**.
3. Use **<UP>** or **<DOWN>** to select the starting address, from **d001–510**.
4. Press **<ENTER>**.

### D-Fi Configuration

To set the Freedom Stick to transmit or receive a DMX signal over D-Fi, follow the instructions below.

1. Press **<MENU>** repeatedly until **S-tr** shows on the display.
2. Press **<ENTER>**.
3. Press **<ENTER>** to select **on** (to disable D-Fi, select **oFF**).
4. Press **<ENTER>**.
5. Press **<ENTER>** to select from **drCh** (to receive), or **dtCh** (to transmit).
6. Press **<ENTER>**.
7. Use **<UP>** or **<DOWN>** to set the channel, from **d\_01–16**. The product will transmit on the selected channel or receive a signal on the selected channel.
8. Press **<ENTER>**.



**Caution: D-Fi 2.4 GHz operation can be interrupted or inhibited by obstructions between the transmitter and receiver such as structures or people. For best results, keep the line of sight clear.**



Ensure that all linked Freedom Stick products are set to the same DMX personality.

## DMX Channel Assignments and Values

3Ch	8Ch	48Ch	50Ch	Function	Value	Percent/Setting
-	1	-	-	Dimmer	000 ⇔ 255	0–100%
1	2	1	1	Red 1	000 ⇔ 255	0–100%
2	3	2	2	Green 1	000 ⇔ 255	0–100%
3	4	3	3	Blue 1	000 ⇔ 255	0–100%
-	5	-	-	Color macros	000 ⇔ 010	No function
					011 ⇔ 030	Red full, green increase
					031 ⇔ 050	Red decrease, green full
					051 ⇔ 070	Green full, blue increase
					071 ⇔ 090	Green decrease, blue full
					091 ⇔ 110	Red increase, blue full
					111 ⇔ 130	Red full, blue decrease
					131 ⇔ 150	Red full, green and blue increase
					151 ⇔ 170	Red and green decrease, blue full
					171 ⇔ 200	Red, green, and blue full
					201 ⇔ 205	Color 1
					206 ⇔ 210	Color 2
					211 ⇔ 215	Color 3
					216 ⇔ 220	Color 4
221 ⇔ 225	Color 5					
226 ⇔ 230	Color 6					
231 ⇔ 235	Color 7					
236 ⇔ 240	Color 8					
241 ⇔ 245	Color 9					
246 ⇔ 250	Color 10					
251 ⇔ 255	Color 11					
-	6	-	-	Strobe	000 ⇔ 010	No function
					011 ⇔ 255	Strobe, slow to fast

3Ch	8Ch	48Ch	50Ch	Function	Value	Percent/Setting
-	7	-	-	Automatic program	000 ⇔ 010	No function
					011 ⇔ 018	Automatic program 1
					019 ⇔ 026	Automatic program 2
					027 ⇔ 034	Automatic program 3
					035 ⇔ 042	Automatic program 4
					043 ⇔ 050	Automatic program 5
					051 ⇔ 058	Automatic program 6
					059 ⇔ 066	Automatic program 7
					067 ⇔ 074	Automatic program 8
					075 ⇔ 082	Automatic program 9
					083 ⇔ 090	Automatic program 10
					091 ⇔ 098	Automatic program 11
					099 ⇔ 106	Automatic program 12
					107 ⇔ 114	Automatic program 13
					115 ⇔ 122	Automatic program 14
					123 ⇔ 130	Automatic program 15
					131 ⇔ 138	Automatic program 16
					139 ⇔ 146	Automatic program 17
					147 ⇔ 154	Automatic program 18
					155 ⇔ 162	Automatic program 19
					163 ⇔ 170	Automatic program 20
					171 ⇔ 178	Automatic program 21
					179 ⇔ 186	Automatic program 22
					187 ⇔ 194	Automatic program 23
					195 ⇔ 202	Automatic program 24
					203 ⇔ 210	Automatic program 25
					211 ⇔ 218	Automatic program 26
					219 ⇔ 226	Automatic program 27
227 ⇔ 234	Automatic program 28 (cycles 1–27)					
235 ⇔ 255	Sound-active program					
-	8	-	-	Program speed (when Ch. 7 is 011 ⇔ 234)	000 ⇔ 255	Automatic program speed, slow to fast
				Sound sensitivity (when Ch. 7 is 235 ⇔ 255)	000 ⇔ 255	Sound sensitivity off
-	-	4	4	Red 2	000 ⇔ 255	0–100%
-	-	5	5	Green 2	000 ⇔ 255	0–100%
-	-	6	6	Blue 2	000 ⇔ 255	0–100%
-	-	7	7	Red 3	000 ⇔ 255	0–100%
-	-	8	8	Green 3	000 ⇔ 255	0–100%
-	-	9	9	Blue 3	000 ⇔ 255	0–100%
-	-	10	10	Red 4	000 ⇔ 255	0–100%
-	-	11	11	Green 4	000 ⇔ 255	0–100%
-	-	12	12	Blue 4	000 ⇔ 255	0–100%
-	-	13	13	Red 5	000 ⇔ 255	0–100%
-	-	14	14	Green 5	000 ⇔ 255	0–100%
-	-	15	15	Blue 5	000 ⇔ 255	0–100%
-	-	16	16	Red 6	000 ⇔ 255	0–100%

3Ch	8Ch	48Ch	50Ch	Function	Value	Percent/Setting
-	-	17	17	Green 6	000 ⇔ 255	0-100%
-	-	18	18	Blue 6	000 ⇔ 255	0-100%
-	-	19	19	Red 7	000 ⇔ 255	0-100%
-	-	20	20	Green 7	000 ⇔ 255	0-100%
-	-	21	21	Blue 7	000 ⇔ 255	0-100%
-	-	22	22	Red 8	000 ⇔ 255	0-100%
-	-	23	23	Green 8	000 ⇔ 255	0-100%
-	-	24	24	Blue 8	000 ⇔ 255	0-100%
-	-	25	25	Red 9	000 ⇔ 255	0-100%
-	-	26	26	Green 9	000 ⇔ 255	0-100%
-	-	27	27	Blue 9	000 ⇔ 255	0-100%
-	-	28	28	Red 10	000 ⇔ 255	0-100%
-	-	29	29	Green 10	000 ⇔ 255	0-100%
-	-	30	30	Blue 10	000 ⇔ 255	0-100%
-	-	31	31	Red 11	000 ⇔ 255	0-100%
-	-	32	32	Green 11	000 ⇔ 255	0-100%
-	-	33	33	Blue 11	000 ⇔ 255	0-100%
-	-	34	34	Red 12	000 ⇔ 255	0-100%
-	-	35	35	Green 12	000 ⇔ 255	0-100%
-	-	36	36	Blue 12	000 ⇔ 255	0-100%
-	-	37	37	Red 13	000 ⇔ 255	0-100%
-	-	38	38	Green 13	000 ⇔ 255	0-100%
-	-	39	39	Blue 13	000 ⇔ 255	0-100%
-	-	40	40	Red 14	000 ⇔ 255	0-100%
-	-	41	41	Green 14	000 ⇔ 255	0-100%
-	-	42	42	Blue 14	000 ⇔ 255	0-100%
-	-	43	43	Red 15	000 ⇔ 255	0-100%
-	-	44	44	Green 15	000 ⇔ 255	0-100%
-	-	45	45	Blue 15	000 ⇔ 255	0-100%
-	-	46	46	Red 16	000 ⇔ 255	0-100%
-	-	47	47	Green 16	000 ⇔ 255	0-100%
-	-	48	48	Blue 16	000 ⇔ 255	0-100%
-	-	-	49	Strobe	000 ⇔ 010	No function
-	-	-			011 ⇔ 255	Strobe, slow to fast
-	-	-	50	Dimmer	000 ⇔ 255	0-100%

## Configuration (Standalone)

Set the product in one of the standalone modes to control without a DMX controller.



**Never connect a product that is operating in any standalone mode to a DMX string connected to a DMX controller. Products in standalone mode may transmit DMX signals that could interfere with the DMX signals from the controller.**

### Preset Color

To run the Freedom Stick with a preset static color, do the following:

1. Press **<MENU>** repeatedly until **C--** shows on the display.
2. Press **<ENTER>**.
3. Use **<UP>** or **<DOWN>** to select the desired color, from **C 1–7**.
4. Press **<ENTER>**.

### Automatic Programs

To run the Freedom Stick with an automatic program, follow the instructions below.

1. Press **<MENU>** repeatedly until **P--** shows on the display.
2. Press **<ENTER>**.
3. Use **<UP>** or **<DOWN>** to select the desired program, from **P 1–21** (standard program), **P 22–27** (custom 2-color program), **P 28** (cycle program 1–27), **P 29–34** (programs designed for master/slave mode), or **P35** (cycle program 29–34).
4. Press **<ENTER>**.
5. For **P 22–27**, use **<UP>** or **<DOWN>** to select the desired color 1, from **1--r** (red), **1--G** (green), **1--b** (blue), **1-Gb** (green and blue), **1-rb** (red and blue), **1-rG** (red and green), **1rGb** (red, green, and blue), or **1oFF** (no color).
6. Press **<ENTER>**.
7. Use **<UP>** or **<DOWN>** to select the desired color 2, from **2--r** (red), **2--G** (green), **2--b** (blue), **2-Gb** (green and blue), **2-rb** (red and blue), **2-rG** (red and green), **2rGb** (red, green, and blue), or **2oFF** (no color).
8. Press **<ENTER>**.



**For programs 22–27, color 1 and 2 cannot be assigned the same color.**

### Program Speed

To set the speed of the automatic program, do the following:

1. Press **<MENU>** repeatedly until **S--** shows on the display.
2. Use **<UP>** or **<DOWN>** to increase or decrease the program speed, from **S. 1–100**.
3. Press **<ENTER>**.

### Sound-Active Mode

To run the Freedom Stick with a sound-active program, follow the instructions below.

1. Press **<MENU>** repeatedly until **Snd** shows on the display.
2. Press **<ENTER>**.
3. Use **<UP>** or **<DOWN>** to select the desired sound-active program, from **Snd1–2**.
4. Press **<ENTER>**.

### Sound Sensitivity

To set the sound sensitivity of the product, do the following:

1. Press **<MENU>** repeatedly until **SenS** shows on the display.
2. Use **<UP>** or **<DOWN>** to increase or decrease the sound sensitivity, from **u. 1–100**.
3. Press **<ENTER>**.



**The product will only respond to low frequencies of music (bass and drums).**



### Custom Color Mixing

To run the Freedom Stick with a custom static color, follow the instructions below.

1. Press **<MENU>** repeatedly until **u--** shows on the display.
2. Press **<ENTER>**.
3. Press **<ENTER>** to cycle through the options, **r.---** (red), **G.---** (green), and **b.---** (blue).
4. Use **<UP>** or **<DOWN>** to increase or decrease the selected value from **\_ 0-255**.
5. Repeat steps 3-4 until the product output is set as desired.

### Configuration (Settings)

#### LED Mode

To select whether the Freedom Stick will use all LEDs or only the LEDs on one side, do the following:

1. Press **<MENU>** repeatedly until **SEt** shows on the display.
2. Press **<ENTER>**.
3. Use **<UP>** or **<DOWN>** to select **LEd**.
4. Press **<ENTER>**.
5. Use **<UP>** or **<DOWN>** to select from **ALL** (use all 32 LEDs), **Fron** (use only the 16 LEDs on the front of the product), or **bACK** (use only the 16 LEDs on the back of the product).
6. Press **<ENTER>**.



**In ALL mode the front and back LEDs are synchronized.**

#### Factory Reset

To reset the product to factory default settings, follow the instructions below.

1. Press **<MENU>** repeatedly until **SEt** shows on the display.
2. Press **<ENTER>**.
3. Use **<UP>** or **<DOWN>** to select **rEst**.
4. Press **<ENTER>**.
5. Use **<UP>** or **<DOWN>** to select from **no** (cancel) or **YES** (reset).
6. Press **<ENTER>**.

## RFC Remote Control

The Freedom Stick can be operated with an RFC remote (comes with Freedom StickX4) or an RFC-XL remote (sold separately). To enable RF control, do the following:

1. Press **<MENU>** repeatedly until **SEt** shows on the display.
2. Press **<ENTER>**.
3. Use **<UP>** or **<DOWN>** to select from **rF** (for Public mode, Link mode, or to disable RF) or **rF-G** (for Group mode).
4. Press **<ENTER>**.
5. For
  - **rF**: use **<UP>** or **<DOWN>** to select from **PubL** (enables the fixture to respond to all RF signals), **oFF** (deactivates RF linking), or **Link** (links the fixture to a single RF remote).
  - **rF-G**: use **<UP>** or **<DOWN>** to select an RFC group, from **Gro1-4**.
6. Press **<ENTER>**.



For more information about using an RFC or RFC-XL remote, download the Instructions and User Manual from [www.chauvetdj.com](http://www.chauvetdj.com).

## RFC Remote Control Operation

RFC	Button	Function
	<b>&lt;BLACK OUT&gt;</b>	Press to turn off all lights until the button is pressed again
	<b>&lt;STROBE&gt;</b>	Press to toggle strobe, then use <b>&lt;+&gt;</b> or <b>&lt;-&gt;</b> to increase or decrease strobe speed
	<b>&lt;DIMMER&gt;</b>	Press then use <b>&lt;+&gt;</b> or <b>&lt;-&gt;</b> to increase or decrease the dimmer
	<b>&lt;AUTO&gt;</b>	Press to activate automatic mode, then to cycle programs, or use <b>&lt;+&gt;</b> or <b>&lt;-&gt;</b> to select a program
	<b>&lt;SPD/SENS&gt;</b>	Press then use <b>&lt;+&gt;</b> or <b>&lt;-&gt;</b> to increase or decrease speed or sensitivity
	<b>&lt;SOUND&gt;</b>	Press to activate sound-active mode, then to cycle programs, or use <b>&lt;+&gt;</b> or <b>&lt;-&gt;</b> to select a program
	<b>&lt;-&gt;</b>	Press to decrease speed, sensitivity, or the dimmer/color value, or to scroll down the list of programs
	<b>&lt;+&gt;</b>	Press to increase speed, sensitivity, or the dimmer/color value, or to scroll up the list of programs
	<b>&lt;FREEZE&gt;</b>	Press to stop all movement and color chasing
	<b>&lt;R&gt;</b>	In manual mode, press to select red then to toggle red full or off, or use <b>&lt;+&gt;</b> or <b>&lt;-&gt;</b> to increase or decrease the red value
	<b>&lt;G&gt;</b>	In manual mode, press to select green then to toggle green full or off, or use <b>&lt;+&gt;</b> or <b>&lt;-&gt;</b> to increase or decrease the green value
	<b>&lt;B&gt;</b>	In manual mode, press to select blue then to toggle blue full or off, or use <b>&lt;+&gt;</b> or <b>&lt;-&gt;</b> to increase or decrease the blue value
	<b>&lt;W&gt;</b>	Press to activate manual mode and toggle all colors full or off
	<b>&lt;UV&gt;</b>	Press to activate manual mode and toggle red and blue full or off
	<b>&lt;FADE/SNAP&gt;</b>	Press to select automatic program 20
	<b>&lt;MANUAL&gt;</b>	Press to activate manual mode
	<b>&lt;PRESET/COLOR&gt;</b>	Press to activate presets/colors, then use <b>&lt;+&gt;</b> or <b>&lt;-&gt;</b> to select a preset/color



The RFC remote will not respond to any inputs when Freeze or Black Out is activated. If the remote does not respond when a button is pressed, try pressing **<FREEZE>** or **<BLACK OUT>**. Freeze or Black Out may have been inadvertently activated.

### Master/Slave Mode

The Master/Slave mode allows a single Freedom Stick product (the “master”) to control the actions of one or more Freedom Stick products (the “slaves”) without the need of a DMX controller. The master product will be set to operate in either standalone mode or with RF control, while the slave products will be set to operate in slave mode. Once set and connected, the slave products will operate in unison or in sequence with the master product.

Configure the products as indicated below.

#### Slave products:

1. Press **<MENU>** repeatedly until **SLA** shows on the display.
2. Press **<ENTER>**.
3. Use **<UP>** or **<DOWN>** to select from **SLA1–4**. The number determines the order of products in automatic programs 29–35.
4. Press **<ENTER>**.
5. Connect the DMX input of the first slave product to the DMX output of the master product, or configure the slave product to receive D-Fi on the channel the master product is transmitting (see [D-Fi Configuration](#)).
6. If using wired DMX, connect the DMX input of the subsequent slave products to the DMX output of the previous slave product.
7. Finish setting and connecting all the slave products.

#### Master product:

1. Set the master product to operate in standalone mode or with RF control.
2. Make the master product the first product in the DMX daisy chain, or configure the master product to transmit D-Fi on the channel the slave products are receiving ([D-Fi Configuration](#)).



- **Configure all the slave products before connecting the master to the daisy chain.**
- **Never connect a DMX controller to a DMX string configured for Master/Slave operation because the controller may interfere with the signals from the master.**
- **Do not connect more than 31 slaves to the master via a wired DMX connection.**

## 5. Maintenance

### Product Maintenance

Dust build-up reduces light output performance and can cause overheating. This can lead to reduction of the light source's life and/or mechanical wear. To maintain optimum performance and minimize wear, clean all lighting products at least twice a month. However, be aware that usage and environmental conditions could be contributing factors to increase the cleaning frequency.

To clean the product, follow the instructions below:

1. Unplug the product from power.
2. Wait until the product is at room temperature.
3. Use a vacuum (or dry compressed air) and a soft brush to remove dust collected on the external surface/vents.
4. Clean all transparent surfaces with a mild soap solution, ammonia-free glass cleaner, or isopropyl alcohol.
5. Apply the solution directly to a soft, lint free cotton cloth or a lens cleaning tissue.
6. Softly drag any dirt or grime to the outside of the transparent surface.
7. Gently polish the transparent surfaces until they are free of haze and lint.



**Always dry the transparent surfaces carefully after cleaning them.**

## 6. Technical Specifications

### Dimensions and Weight

	Length	Width	Height	Weight
Freedom Stick	59 in (1500 mm)	6.3 in (160 mm)	6.3 in (160 mm)	3.3 lb (1.5 kg)
Carry bag	61 in (1550 mm)	10.6 in (270 mm)	2.6 in (65 mm)	

**Note:** Dimensions in inches are rounded.

### Power

Power Supply Type	Range	Voltage Selection	DC Input
Switching (external multi-charger)	100 to 240 VAC, 50/60 Hz	Auto-ranging	12 V

Parameter	120 V, 60 Hz	230 V, 50 Hz
Consumption	11 W	11 W
Operating current	0.1 A	0.1 A
Fuse	T 2 A, 250 V	T 2 A, 250 V

Power I/O	U.S./Worldwide	UK/Europe
Power input connector (Freedom Stick)	USB type C	USB type C
Power output connector (multi-charger)	USB type B	USB type B
Power cable plug	Edison (U.S.)	Local Plug

### Light Source

Type	Color	Quantity	Power	Current	Lifespan
LED	Tri-color RGB	32	0.2 W	12 mA	50,000 hours

### Photometrics

Strobe Rate
0 to 30 Hz

### Battery

Maximum Run Time (360°)	Maximum Run Time (180°)	Maximum Run Time (single color on)	Recharge Time
Up to 5 hours	Up to 10 hours	Up to 20 hours	4 hours

### Thermal

Maximum External Temperature	Cooling System
104 °F (40 °C)	Convection

### DMX

I/O Connector	Channel Range	Operating Frequency
3-pin XLR, D-Fi	3, 8, 48, 50	2.412 to 2.484 GHz

### Ordering

Product Name	Item Code	UPC Number
Freedom Stick X4	10031857	781462222055



## Contact Us

General Information	Technical Support
<b>Chauvet World Headquarters</b>	
Address: 3360 Davie Rd. Davie, FL 33314 Voice: (954) 577-4455 Fax: (954) 929-5560 Toll Free: (800) 762-1084	Voice: (844) 393-7575 Fax: (954) 756-8015 Email: <a href="mailto:chauvetcs@chauvetlighting.com">chauvetcs@chauvetlighting.com</a>  Website: <a href="http://www.chauvetdj.com">www.chauvetdj.com</a>
<b>Chauvet U.K.</b>	
Address: Pod 1 EVO Park Little Oak Drive, Sherwood Park Nottinghamshire, NG15 0EB UK Voice: +44 (0) 1773 511115 Fax: +44 (0) 1773 511110	Email: <a href="mailto:UKtech@chauvetlighting.eu">UKtech@chauvetlighting.eu</a>  Website: <a href="http://www.chauvetdj.eu">www.chauvetdj.eu</a>
<b>Chauvet Benelux</b>	
Address: Stokstraat 18 9770 Kruishoutem Belgium Voice: +32 9 388 93 97	Email: <a href="mailto:BNLtech@chauvetlighting.eu">BNLtech@chauvetlighting.eu</a>  Website: <a href="http://www.chauvetdj.eu">www.chauvetdj.eu</a>
<b>Chauvet France</b>	
Address: 3, Rue Ampère 91380 Chilly-Mazarin France Voice: +33 1 78 85 33 59	Email: <a href="mailto:FRtech@chauvetlighting.fr">FRtech@chauvetlighting.fr</a>  Website: <a href="http://www.chauvetdj.eu">www.chauvetdj.eu</a>
<b>Chauvet Germany</b>	
Address: Bruno-Bürgel-Str. 11 28759 Bremen Germany Voice: +49 421 62 60 20	Email: <a href="mailto:DEtech@chauvetlighting.de">DEtech@chauvetlighting.de</a>  Website: <a href="http://www.chauvetdj.eu">www.chauvetdj.eu</a>
<b>Chauvet Mexico</b>	
Address: Av. de las Partidas 34 - 3B (Entrance by Calle 2) Zona Industrial Lerma Lerma, Edo. de México, CP 52000 Voice: +52 (728) 690-2010	Email: <a href="mailto:servicio@chauvet.com.mx">servicio@chauvet.com.mx</a>  Website: <a href="http://www.chauvetdj.mx">www.chauvetdj.mx</a>

## Warranty & Returns

For warranty terms and conditions and return information, please visit our website.

For customers in the United States and Mexico: [www.chauvetlighting.com/warranty-registration](http://www.chauvetlighting.com/warranty-registration).

For customers in the United Kingdom, Republic of Ireland, Belgium, the Netherlands, Luxembourg, France, and Germany: [www.chauvetlighting.eu/warranty-registration](http://www.chauvetlighting.eu/warranty-registration).