

4BAR LT QuadBT ILS

User Manual



Edition Notes

The 4BAR LT QuadBT ILS User Manual includes a description, safety precautions, installation, programming, operation, and maintenance instructions for the 4BAR LT QuadBT ILS as of the release date of this edition.

Trademarks

Chauvet, Chauvet DJ, the Chauvet logo, 4BAR, and ILS are registered trademarks or trademarks of Chauvet & Sons, LLC (d/b/a Chauvet and Chauvet Lighting) in the United States and other countries. Other company and product names and logos referred to herein may be trademarks of their respective companies.

Copyright Notice

The works of authorship contained in this manual, including, but not limited to, all designs, text, and images are owned by Chauvet.

© Copyright 2024 Chauvet & Sons, LLC. All rights reserved.

Electronically published by Chauvet in the United States of America.

Manual Use

Chauvet authorizes its customers to download and print this manual for professional information purposes only. Chauvet expressly prohibits the usage, copy, storage, distribution, modification, or printing of this manual or its content for any other purpose without written consent from Chauvet.

Document Printing

For best results, print this document in color, on letter size paper (8.5 x 11 in), double-sided. If using A4 paper (210 x 297 mm), configure the printer to scale the content accordingly.

Intended Audience

Any person installing, operating, and/or maintaining this product should completely read through the guide that shipped with the product, as well as this manual, before installing, operating, or maintaining this product.

Disclaimer

Chauvet believes that the information contained in this manual is accurate in all respects. However, Chauvet assumes no responsibility and specifically disclaims any and all liability to any party for any loss, damage, or disruption caused by any errors or omissions in this document, whether such errors or omissions result from negligence, accident, or any other cause. Chauvet reserves the right to revise the content of this document without any obligation to notify any person or company of such revision; however, Chauvet has no obligation to make, and does not commit to make, any such revisions.

Document Revision

Go to www.chauvetdj.com for the latest version.

Revision	Date	Description
2	02/2024	Bluetooth logo added.

TABLE OF CONTENTS

1. Before You Begin	1
What Is Included	1
Unpacking Instructions	1
Claims	1
Text Conventions	1
Symbols	1
Safety Notes	2
FCC Statement of Compliance	2
RF Exposure Warning for North America and Australia	2
2. Introduction	3
Product Overview	3
Product Dimensions	3
3. Setup	4
AC Power	4
AC Plug	4
Fuse Replacement	4
Mounting	5
Orientation	5
Rigging	5
4. Operation	6
Control Panel Operation	6
Menu Map	6
DMX Configuration	6
Personality and Starting Address	6
D-Fi USB Connectivity	7
D-Fi USB Compatibility	7
D-Fi USB Configuration	7
Standalone Configuration	9
Static Colors	9
Automatic Programs	9
Automatic Program Speed	9
Standalone Dimmer	9
Sound-Active Mode	9
Sound Sensitivity	9
Custom Color Mixing	9
Wireless Footswitch Operation	10
Footswitch Battery	10
Battery Replacement	10
IRC-6 Infrared Remote Control	11
Bluetooth Control	12
Master/Slave Mode	12
Wired Master/Slave Mode	12
D-Fi USB Master/Slave Mode	13
ILS Mode	13
5. Maintenance	14
Product Maintenance	14
6. Technical Specifications	15
Contact Us	16
Warranty & Returns	16

1. Before You Begin

What Is Included

- 4BAR LT QuadBT ILS
- Power cable
- Tripod
- Carrying bag
- Footswitch
- L brackets
- Quick Reference Guide

Unpacking Instructions

Carefully unpack the product immediately and check the container to make sure all the parts are in the package and are in good condition.

Claims





If the box or the contents (the product and included accessories) appear damaged from shipping, or show signs of mishandling, notify the carrier immediately, not Chauvet. Failure to report damage to the carrier immediately may invalidate the claim. In addition, keep the box and contents for inspection.

For other issues, such as missing components or parts, damage not related to shipping, or concealed damage, file a claim with Chauvet within 7 days of delivery.

Text Conventions

Convention	Meaning
1–512	A range of values
50/60	A set of values of which only one can be chosen
Settings	A menu option not to be modified
<ENTER>	A key to be pressed on the product’s control panel
ON	A value to be entered or selected

Symbols

Symbol	Meaning
	Electrical warning. Not following these instructions may cause electrical damage to the product, accessories, or the user.
	Critical installation, configuration, or operation information. Not following these instructions may make the product not work, cause damage to the product, or cause harm to the operator.
	Important installation or configuration information. The product may not function correctly if this information is not used.
	Useful information.

Safety Notes

These Safety Notes include important information about installation, use, and maintenance of the 4BAR LT QuadBT ILS.



- **ALWAYS:**

- ◆ Connect to a grounded circuit.
- ◆ Connect to operating voltages as specified on the product's spec sticker.
- ◆ Disconnect from power before replacing the fuse.
- ◆ Disconnect from its power source during periods of inactivity.
- ◆ Use a safety cable when suspending overhead.
- ◆ Heed all restrictions and warnings on the spec sticker.
- ◆ Mount in a location with at least 20 in (50 cm) of ventilation.
- ◆ Replace the fuse with the same type and rating.

- In the event of a serious operating problem, stop using immediately.

- **DO NOT:**

- ◆ Open this product or attempt any repairs. It contains no user-serviceable parts.
- ◆ Look at the light source when the product is on.
- ◆ Use if the power cord is crimped or damaged.
- ◆ Disconnect by pulling on the power cord.
- ◆ Allow flammable materials close to the product when it is operating.
- ◆ Touch the housing when it is on.
- ◆ Block any ventilation holes/slots in the housing.
- ◆ Connect to a dimmer or rheostat.
- ◆ Carry the product by its power cord.
- ◆ Operate in temperatures higher than 104°F (40°C).
- ◆ Expose to environments that exceed the Ingress Protection (IP) rating.
- ◆ Expose to rain or moisture.
- ◆ Use outdoors.
- ◆ Submerge.



Keep this User Manual for future use. If the product is sold to someone else, be sure that they also receive this document.

FCC Statement of Compliance

This device complies with Part 15 Part B of the FCC rules. Operation is subject to the following two conditions:

1. This device may not cause harmful interference, and
2. This device must accept any interference received, including interference that may cause undesired operation.

This equipment has been tested and found to comply with the limits for a Class B digital device, pursuant to Part 15 of the FCC Rules. These limits are designed to provide reasonable protection against harmful interference in a residential installation. This equipment generates uses and can radiate radio frequency energy and, if not installed and used in accordance with the instructions, may cause harmful interference to radio communications. However, there is no guarantee that interference will not occur in a particular installation. If this equipment does cause harmful interference to radio or television reception, which can be determined by turning the equipment off and on, the user is encouraged to try to correct the interference by one or more of the following measures:

- Reorient or relocate the receiving antenna.
- Increase the separation between the equipment and receiver.
- Connect the equipment into an outlet on a circuit different from that to which the receiver is connected.
- Consult the dealer or an experienced radio/TV technician for help.

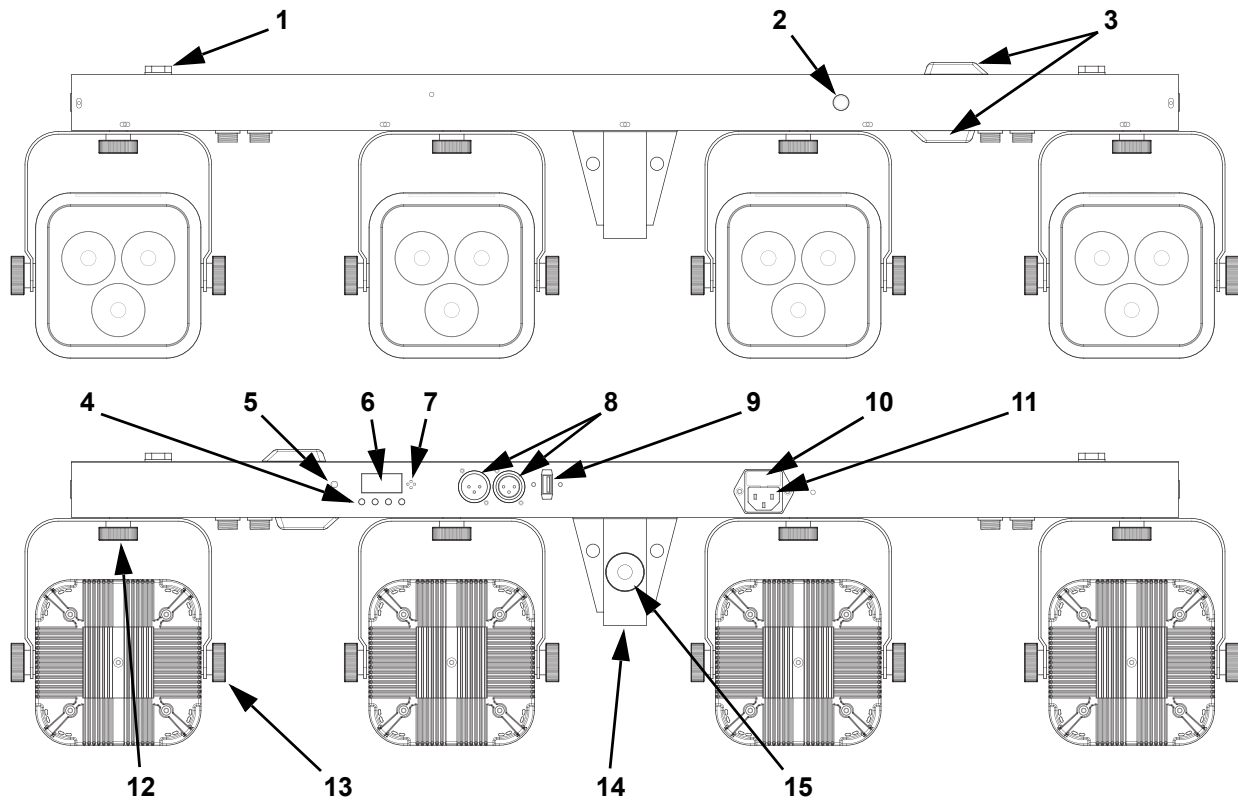
Any changes or modifications not expressly approved by the party responsible for compliance could void the user's authority to operate the equipment.

RF Exposure Warning for North America and Australia

Warning! This equipment complies with FCC radiation exposure limits set forth for an uncontrolled environment. This equipment should be installed and operated with a minimum distance of 20 cm between the radiator and the user. This transmitter must not be co-located or operating in conjunction with any other antenna or transmitter.

2. Introduction

Product Overview

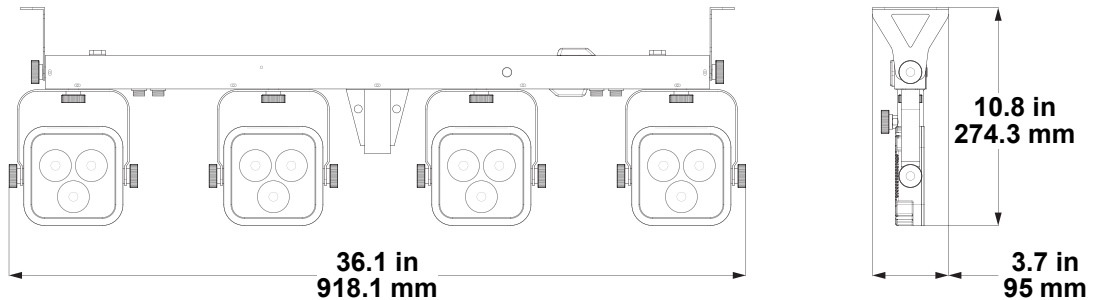


#	Name	#	Name	#	Name
1	Threaded insert and bolt (x2)	6	LED display	11	Power in
2	Front IR sensor	7	Microphone	12	Pod pan adjustment knob
3	Antenna	8	DMX in/out	13	Pod tilt adjustment knob
4	Menu buttons	9	D-Fi USB port	14	Tripod insertion point
5	Rear IR sensor	10	Fuse holder	15	Tripod adjustment knob



WARNING! DO NOT plug anything other than a D-Fi USB into the USB type B port. Doing so may cause damage to the product.

Product Dimensions



3. Setup

AC Power

The 4BAR LT QuadBT ILS has an auto-ranging power supply and it can work with an input voltage range of 100 to 240 VAC, 50/60 Hz.

To determine the product's power requirements (circuit breaker, power outlet, and wiring), use the current value listed on the label affixed to the product's back panel, or refer to the product's specifications chart. The listed current rating indicates the product's average current draw under normal conditions.



- **Always connect the product to a protected circuit (a circuit breaker or fuse). Make sure the product has an appropriate electrical ground to avoid the risk of electrocution or fire.**
- **To eliminate unnecessary wear and improve its lifespan, during periods of non-use completely disconnect the product from power via breaker or by unplugging it.**



Never connect the product to a rheostat (variable resistor) or dimmer circuit, even if the rheostat or dimmer channel serves only as a 0 to 100% switch.

AC Plug

This product can be connected to a dimmer or rheostat, by plugging in to a standard outlet controlled by a dimmer or rheostat, or by splicing the power cable and connecting to the included track adapter.

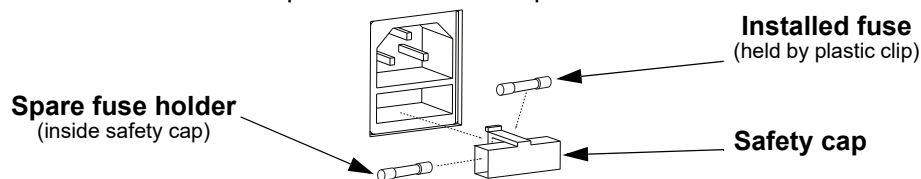
Connection	Wire (U.S.)	Wire (Europe)	Screw Color
AC Live	Black	Brown	Yellow/Brass
AC Neutral	White	Blue	Silver
AC Ground	Green/Yellow	Green/Yellow	Green/Silver



Splicing to a commercial track lighting or dimmer setup should be completed by a licensed professional.

Fuse Replacement

1. Disconnect the product from power.
2. Wedge the tip of a flat-head screwdriver into the slot of the fuse holder.
3. Pry the fuse holder out of the housing.
4. Remove the blown fuse from the holder and replace with a fuse of the exact same type and rating.
5. Insert the fuse holder back in place and reconnect power.



Disconnect the product from the power outlet before replacing the fuse.



Always replace a blown fuse with one of the same type and rating.

Mounting

Before mounting the product, read and follow the safety recommendations indicated in the [Safety Notes](#).

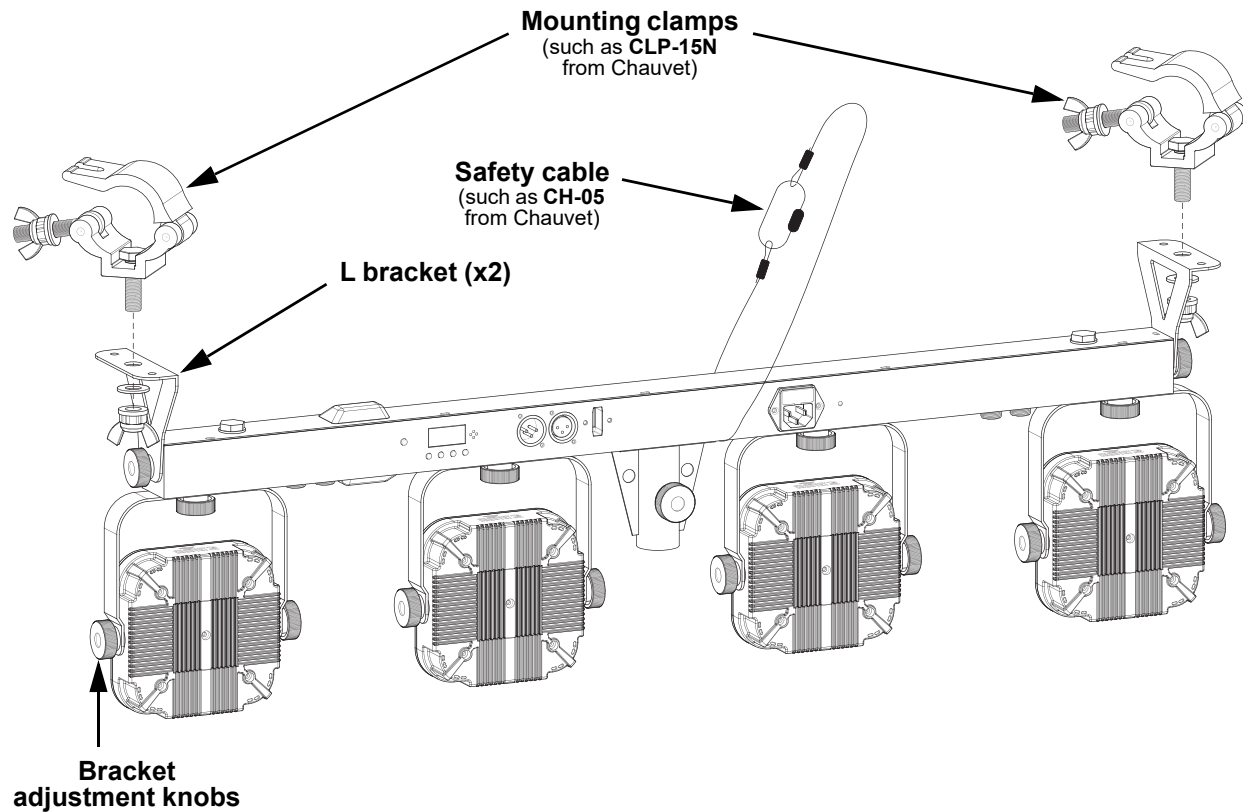
Orientation

The 4BAR LT QuadBT ILS may be mounted in any position; however, make sure adequate ventilation is provided around the product.

Rigging

- Before deciding on a location for the product, always make sure there is easy access to the product for maintenance and programming.
- Make sure that the structure and attachment points can support the weight before hanging the product (see the [Technical Specifications](#)).
- When mounting the product overhead, always use a safety cable. Mount the product securely to a rigging point, such as an elevated platform or a truss.
- When rigging the product onto a truss, use a mounting clamp of appropriate weight capacity. The L brackets have 13-mm holes, which are appropriate for this purpose.
- The bracket and pod adjustment knobs allow for directional adjustment when aiming the product to the desired angle. Only loosen or tighten the knobs manually. Using tools could damage the knobs.
- When mounting the product on the floor, make sure that the product and cables are away from people and vehicles.

Mounting Diagram



4. Operation

Control Panel Operation

To access the control panel functions, use the four buttons located underneath the display. Please refer to the [Product Overview](#) to see the button locations on the control panel.

Button	Function
<MENU>	Press to find an operation mode or to back out of the current menu option
<UP>	Press to scroll up the list of options or to find a higher value
<DOWN>	Press to scroll down the list of options or to find a lower value
<ENTER>	Press to activate a menu option or a selected value

Menu Map

Refer to the 4BAR LT QuadBT ILS product page on www.chauvetdj.com for the latest menu map.

Mode	Programming Levels		Description	
DMX Mode	4Ch	d 1–510	4-channel DMX mode	
	6Ch		6-channel DMX mode	
	19Ch		19-channel DMX mode	
ILS Mode	iLS	iLS1–4	ILS mode	
Static Colors	C--	C 1–15	Static colors	
Programs	P--	P 1–8	Automatic programs	
Auto Speed	S--	S 1–100	Program speed for P 1–5	
Dimmer	d--	L. 1–255	Standalone dimmer	
Sound Mode	Snd	Snd1–8	Sound-active programs	
Sensitivity	SEnS	u 0–100	Sound sensitivity	
		r000–255	Custom static colors Combine red, green, blue, and amber	
		G000–255		
		b000–255		
		A000–255	Strobe rate	
S000–100				
Bluetooth*	bLE	-----	Bluetooth control mode, displays Bluetooth ID	
Control Mode	SEt	ir	on	Turn infrared on or off
			oFF	
		out	dMX	Enable Master/Slave with non-BT products
			SLAU	Enable Master/Slave with other BT products
		Foot	PubL	Enable public footswitch control
			Link	Enable footswitch linking
			oFF	Disable footswitch control

*The **Bluetooth**® word mark and logos are registered trademarks owned by the Bluetooth SIG, Inc. and any use of such marks by Chauvet & Sons, LLC is under license. Other trademarks and trade names are those of their respective owners.

DMX Configuration

The 4BAR LT QuadBT ILS works with a DMX controller. Information about DMX is in the Chauvet DMX Primer, which is available from the Chauvet website chauvetlighting.com/downloads/DMX_Primer_rev05_WO.pdf.

Personality and Starting Address

The 4BAR LT QuadBT ILS uses up to 19 DMX channels in the **19Ch** DMX mode, which defines the highest configurable/recommended address to **494**

When selecting a starting DMX address, always consider the number of DMX channels the DMX mode uses. If the starting address is set too high, access to some channels could be restricted.

For information about the DMX protocol, download the DMX Primer from www.chauvetdj.com.

To select the personality and starting address, do the following:

1. Press <MENU> repeatedly until **4Ch**, **6Ch**, or **19Ch** shows on the display.
2. Press <ENTER>.
3. Use <UP> or <DOWN> to select the starting address, from **d 1–510**.
4. Press <ENTER>.

D-Fi USB Connectivity

The 4BAR LT QuadBT ILS is able to become a D-Fi wireless receiver/transmitter with the use of the D-Fi USB from Chauvet DJ. Simply set the product's DMX Personality and DMX Address, set the DIP switch D-Fi receiving/transmitting channel, then plug it into the D-Fi USB port.



WARNING! DO NOT plug anything other than a D-Fi USB into the USB type B port. Doing so may cause damage to the product.



Once plugged in, the D-Fi USB will take over the product. Wired DMX and manual display control / menu buttons will be unavailable until the D-Fi USB is unplugged. The priority levels are:

1. D-Fi USB
2. Wired DMX
3. Manual Digital Display/Menu Buttons

D-Fi USB Compatibility

The D-Fi USB can receive a DMX signal from the D-Fi Hub and the FlareCON Air 2 as well as other D-Fi USB products.

D-Fi USB Configuration

1. Set the DMX Personality and DMX address on the 4BAR LT QuadBT ILS.
2. Use the Chart provided to set **BOTH**:
 - the Channel, and then
 - The Receiving or Transmitting option

NOTE: DIP Switch 5 is for Transmitting OR Receiving, please choose carefully.

D-Fi USB DIP Switch Channels

Receiving						Receiving						Transmitting						Transmitting					
Ch.	1	2	3	4	T/R	Ch.	1	2	3	4	T/R	Ch.	1	2	3	4	T/R	Ch.	1	2	3	4	T/R
1	█	█	█	█	█	9	█	█	█	█	█	1	█	█	█	█	█	9	█	█	█	█	█
2	█	█	█	█	█	10	█	█	█	█	█	2	█	█	█	█	█	10	█	█	█	█	█
3	█	█	█	█	█	11	█	█	█	█	█	3	█	█	█	█	█	11	█	█	█	█	█
4	█	█	█	█	█	12	█	█	█	█	█	4	█	█	█	█	█	12	█	█	█	█	█
5	█	█	█	█	█	13	█	█	█	█	█	5	█	█	█	█	█	13	█	█	█	█	█
6	█	█	█	█	█	14	█	█	█	█	█	6	█	█	█	█	█	14	█	█	█	█	█
7	█	█	█	█	█	15	█	█	█	█	█	7	█	█	█	█	█	15	█	█	█	█	█
8	█	█	█	█	█	16	█	█	█	█	█	8	█	█	█	█	█	16	█	█	█	█	█

DMX Channel Assignments and Values

4Ch	6Ch	19Ch	Function	Value	Percent/Setting
-	-	1	Auto programs	000 ⇔ 009	No function
				010 ⇔ 029	Auto program 1
				030 ⇔ 049	Auto program 2
				050 ⇔ 069	Auto program 3
				070 ⇔ 089	Auto program 4
				090 ⇔ 109	Auto program 5
				110 ⇔ 129	Auto program 6
				130 ⇔ 149	Auto program 7
				150 ⇔ 169	Auto program 8
				170 ⇔ 189	Auto program 9
				190 ⇔ 209	Auto program 10
				210 ⇔ 229	Auto program 11
				230 ⇔ 249	Auto program 12 (cycle all programs)
				250 ⇔ 255	Sound-active program
-	-	2	Dimmer	000 ⇔ 255	0–100%
-	-	3	Strobe (when Ch. 1 is 000 ⇔ 009)	000 ⇔ 009	No function
				010 ⇔ 255	Strobe, slow to fast
			Auto speed (when Ch. 1 is 010 ⇔ 249)	000 ⇔ 255	Program speed, slow to fast
			Sound sensitivity (when Ch. 1 is 250 ⇔ 255)	000 ⇔ 010	Sound sensitivity off
				011 ⇔ 210	Sound sensitivity, low to high
1	1	4	Red 1	011 ⇔ 255	0–100%
2	2	5	Green 1	000 ⇔ 255	0–100%
3	3	6	Blue 1	000 ⇔ 255	0–100%
4	4	7	Amber 1	000 ⇔ 255	0–100%
-	-	8	Red 2	000 ⇔ 255	0–100%
-	-	9	Green 2	000 ⇔ 255	0–100%
-	-	10	Blue 2	000 ⇔ 255	0–100%
-	-	11	Amber 2	000 ⇔ 255	0–100%
-	-	12	Red 3	000 ⇔ 255	0–100%
-	-	13	Green 3	000 ⇔ 255	0–100%
-	-	14	Blue 3	000 ⇔ 255	0–100%
-	-	15	Amber 3	000 ⇔ 255	0–100%
-	-	16	Red 4	000 ⇔ 255	0–100%
-	-	17	Green 4	000 ⇔ 255	0–100%
-	-	18	Blue 4	000 ⇔ 255	0–100%
-	-	19	Amber 4	000 ⇔ 255	0–100%
-	5	-	Dimmer	000 ⇔ 255	0–100%
-	6	-	Strobe	000 ⇔ 015	No function
				016 ⇔ 255	Strobe, slow to fast

Standalone Configuration

Set the product in one of the standalone modes to operate without a DMX controller.



Never connect a product that is operating in any standalone mode to a DMX string connected to a DMX controller. Products in standalone mode may transmit DMX signals that could interfere with the DMX signals from the controller.

Static Colors

To run the 4BAR LT QuadBT ILS with a static color, follow the instructions below.

1. Press **<MENU>** repeatedly until **C--** shows on the display.
2. Press **<ENTER>**.
3. Use **<UP>** or **<DOWN>** to select the desired static color, from **C 1–15**.
4. Press **<ENTER>**.

Automatic Programs

To run the 4BAR LT QuadBT ILS with an automatic program, do the following:

1. Press **<MENU>** repeatedly until **P--** shows on the display.
2. Press **<ENTER>**.
3. Use **<UP>** or **<DOWN>** to select the program, from **P 1–8**.
4. Press **<ENTER>**.

Automatic Program Speed

To set the speed of the automatic programs, follow the instructions below.

1. Press **<MENU>** repeatedly until **S--** shows on the display.
2. Press **<ENTER>**.
3. Use **<UP>** or **<DOWN>** to increase or decrease the program speed, from **S 1–100**.
4. Press **<ENTER>**.

Standalone Dimmer

To set the output intensity of the 4BAR LT QuadBT ILS in standalone mode, do the following:

1. Press **<MENU>** repeatedly until **d--** shows on the display.
2. Press **<ENTER>**.
3. Use **<UP>** or **<DOWN>** to increase or decrease the dimmer value, from **L. 1–255**.
4. Press **<ENTER>**.

Sound-Active Mode

To run the 4BAR LT QuadBT ILS with a sound-active program, follow the instructions below.

1. Press **<MENU>** repeatedly until **Snd** shows on the display.
2. Press **<ENTER>**.
3. Use **<UP>** or **<DOWN>** to select the program, from **Snd1–8**.
4. Press **<ENTER>**.

Sound Sensitivity

To set the sound sensitivity of the product, do the following:

1. Press **<MENU>** repeatedly until **Sens** shows on the display.
2. Press **<ENTER>**.
3. Use **<UP>** or **<DOWN>** to increase or decrease the sound sensitivity, from **u 0–100**.
4. Press **<ENTER>**.



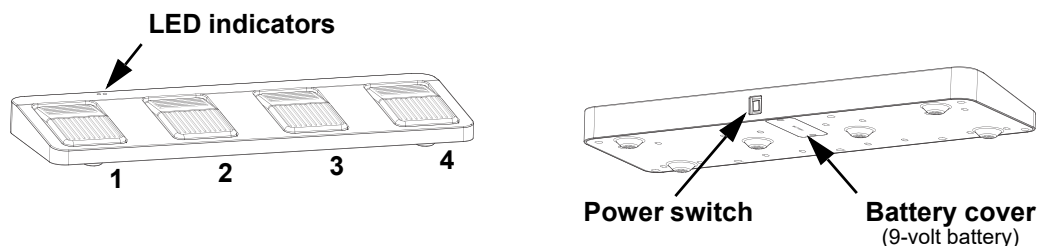
The product will only respond to low frequencies of music (bass and drums).

Custom Color Mixing

To run the 4BAR LT QuadBT ILS with a custom static color, follow the instructions below.

1. Press **<MENU>** repeatedly until **u--** shows on the display.
2. Press **<ENTER>**.
3. Press **<ENTER>** to cycle through the options, **r_ _ _** (red), **G_ _ _** (green), **b_ _ _** (blue), **A_ _ _** (amber), and **S_ _ _** (strobe speed).
4. Use **<UP>** or **<DOWN>** to increase or decrease the selected value from **_000–255**.
5. Repeat steps 3–4 until the product output is set as desired.

Wireless Footswitch Operation



The included wireless footswitch provides quick access to preset colors, color-change programs, and sound-activation through the 4BAR LT QuadBT ILS microphone.

To use the footswitch:

1. Connect the 4BAR LT QuadBT ILS to power. Turn the wireless footswitch on.
2. Press **<MENU>** repeatedly until **SEt** shows on the display, and press **<ENTER>**.
3. Use **<UP>** or **<DOWN>** to select **Foot**, and press **<ENTER>**.
4. Use **<UP>** or **<DOWN>** to select from **PubL** (enables control by any 4BAR LT QuadBT ILS footswitch), **Link** (links to a single footswitch), or **oFF** (disables footswitch control), and press **<ENTER>**.
5. Press pedal #3 to activate static color controls. When working, all the lights will begin in a static color and **FOOt** will appear on the display.
6. Use the chart below to activate the desired function.

Pedal	Action	Function
1 (AUTO)	Tap	Auto programs 1–8
2 (MUSIC)	Press and hold	Sound-active programs
3 (COLOR)	Tap	Static colors 1–15 Auto snap program Auto fade program
	Press and hold	Cycle through static colors 1–15
	Release after holding	Auto fade program
4 (BLACKOUT)	Tap	Blackout
	Press and hold	Fade to blackout



The 4BAR LT QuadBT ILS footswitch will work properly in any mode, with a maximum unobstructed distance of 100 ft (30.5 m). Turn on the ir setting from the 4BAR LT QuadBT ILS and navigate to Auto mode before using the footswitch.

Footswitch Battery

The wireless footswitch uses a 9-volt battery located under the battery cover on the bottom of the product, which can be replaced when necessary.

Battery Replacement

To replace the battery in the wireless footswitch:

1. Turn the power switch to the Off position.
2. Remove the battery cover by removing 2 screws with a Phillips-head screwdriver.
3. Remove the old battery from the housing and unplug it from the leads.
4. Replace with a new 9-volt battery, ensuring that the positive (+) and negative (-) leads correspond to the correct electrodes on the battery.
5. Place the battery into the housing and cover with the battery cover.
6. Secure the battery cover with the 2 Phillips-head screws.



Do NOT over-tighten the screws!

IRC-6 Infrared Remote Control

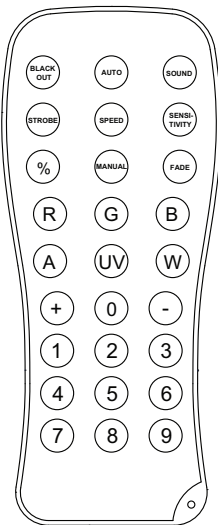
The 4BAR LT QuadBT ILS is compatible with the IRC-6 infrared remote control from Chauvet.

To enable or disable IRC-6 functionality, do the following:

1. Press **<MENU>** repeatedly until **SEt** shows on the display.
2. Press **<ENTER>**.
3. Use **<UP>** or **<DOWN>** to select **ir**.
4. Press **<ENTER>**.
5. Use **<UP>** or **<DOWN>** to select from **on** (enable), or **oFF** (disable).
6. Press **<ENTER>**.

Consult the table below to operate the 4BAR LT QuadBT ILS with the IRC-6.

IRC-6	Button	Function
	<AUTO>	Press to activate automatic mode, then press to cycle programs or use <+> or <-> to select a program
	<SPEED>	Press then use <+> or <-> to increase or decrease speed
	<SOUND>	Press to activate sound-active mode, then press to cycle programs or use <+> or <-> to select a program
	<SENSITIVITY>	Press then use <+> or <-> to increase or decrease sensitivity
	<STROBE>	Press to toggle strobe, then use <+> or <-> to increase or decrease strobe speed
	<%>	Press then use <+> or <-> to increase or decrease the dimmer
	<FADE>	Press to select a fading program, then press to cycle programs 5, 7, and 8.
	<R>	Press to activate red control, then press to toggle 0 and 255, or use <+> or <-> to increase or decrease the red value
	<G>	Press to activate green control, then press to toggle 0 and 255, or use <+> or <-> to increase or decrease the green value
		Press to activate blue control, then press to toggle 0 and 255, or use <+> or <-> to increase or decrease the blue value
	<A>	Press to activate amber control, then press to toggle 0 and 255, or use <+> or <-> to increase or decrease the amber value
	<UV>	Press to toggle red and blue, keeping green and amber off
	<W>	Press to toggle red, green and blue, keeping amber off
	<+> and <->	Press to increase or decrease the selected value or program
	<0>	Press to activate static color C 8
	<1>	Press to activate static color C 1
	<2>	Press to activate static color C 4
	<3>	Press to activate static color C 17 (IRC-6 control only)
	<4>	Press to activate static color C 18 (IRC-6 control only)
	<5>	Press to activate static color C 19 (IRC-6 control only)
	<6>	Press to activate static color C 20 (IRC-6 control only)
	<7>	Press to activate static color C 21 (IRC-6 control only)
	<8>	Press to activate static color C 22 (IRC-6 control only)
	<9>	Press to activate static color C 23 (IRC-6 control only)
	<BLACK OUT>	Press to turn off all the lights until the button is pressed again.



The IRC-6 will not respond to any inputs when Black Out is activated. If the product does not respond when a button is pressed, try pressing **<BLACK OUT>**. Black Out may have been activated.

Bluetooth Control

Bluetooth control mode allows users to control one or more 4BAR LT QuadBT ILS products via Bluetooth connection on the BTAir app.

To operate the product via Bluetooth control mode:

1. Press **<MENU>** repeatedly until **bLE** shows on the display.
2. Press **<ENTER>**.
3. Use the ID number on the display to identify the product on the BTAir app.



- **Ensure that all products are set to Bluetooth control mode prior to operating the BTAir app, as failure to do so may require restarting the app.**
- **For further instructions on how to pair and operate products with the BTAir app, download the BTAir User Manual from www.chauvetdj.com.**

Master/Slave Mode

The 4BAR LT QuadBT ILS can work in Master/Slave mode with other BT products or with non-BT products, depending on the Master/Slave mode. To select which Master/Slave mode:

1. Press **<MENU>** repeatedly until **SEt** shows on the display.
2. Press **<ENTER>**.
3. Use **<UP>** or **<DOWN>** to select **out**.
4. Press **<ENTER>**.
5. Use **<UP>** or **<DOWN>** to select from **dmX** (Master/Slave with non-BT products), or **SLAU** (Master/Slave with other BT products).
6. Press **<ENTER>**.

Wired Master/Slave Mode

The Master/Slave mode allows a single 4BAR LT QuadBT ILS product (the “master”) to control the actions of one or more 4BAR LT QuadBT ILS products (the “slaves”) without the need of a DMX controller. The master product will be set to operate in either standalone mode or with the IRC-6, while the slave products will be set to operate in slave mode. Once set and connected, the slave products will operate in unison with the master product.

Configure the products as indicated below.

Slave products:

1. Press **<MENU>** repeatedly until **4Ch** shows on the display.
2. Press **<ENTER>**.
3. Use **<UP>** or **<DOWN>** to set the starting address to **d 1**.
4. Press **<ENTER>**.
5. Connect the DMX input of the first slave product to the DMX output of the master product.
6. Connect the DMX input of the subsequent slave products to the DMX output of the previous slave product.
7. Finish setting and connecting all the slave products.

Master product:

1. Set the master product to operate in standalone mode or with the IRC-6.
2. Make the master product the first product in the DMX daisy chain.



- **Configure all the slave products before connecting the master to the daisy chain.**
- **Never connect a DMX controller to a DMX string configured for Master/Slave operation because the controller may interfere with the signals from the master.**
- **Do not connect more than 31 slaves to the master.**

D-Fi USB Master/Slave Mode

The D-Fi USB allows a single 4BAR LT QuadBT ILS product (the “master”) to control the actions of one or more 4BAR LT QuadBT ILS products (the “slaves”) without the need of a DMX controller or DMX cables. The master (transmitter) product will be set to operate in standalone mode, while the slave (receiver) products will be set to operate in slave mode. Once set and connected, the slave products will operate in unison with the master product.

Configure the products as indicated below.

Slave products:

1. Press **<MENU>** repeatedly until **4Ch** shows on the display.
2. Press **<ENTER>**.
3. Use **<UP>** or **<DOWN>** to set the starting address to **d 1**.
4. Press **<ENTER>**.
5. Set the D-Fi USB to receive on a specific channel, 1–16.
6. Plug in the D-Fi USB.
7. Finish setting and connecting all the slave products.

Master product:

1. Set the master product to operate in standalone mode.
2. Set the D-Fi USB to transmit on the D-Fi channel the slaves are receiving on.
3. Plug in the D-Fi USB.



- **All products must be set to the same DMX personality, DMX address, and D-Fi channel.**
- **Configure all the slave products before configuring the master to transmit.**
- **Never connect a DMX controller to a D-Fi channel configured for Master/Slave operation because the controller may interfere with the signals from the master.**

ILS Mode

ILS (Integrated Lighting System) provides 4 modes that synchronize with the GigBAR MOVE+ILS: Modes 1 and 3 synchronize with side 1 of the GigBAR MOVE+ILS, whereas modes 2 and 4 synchronize with side 2 of the GigBAR MOVE+ILS. When linked, effects will sync with the most similar effect on the selected side of the GigBAR MOVE+ILS: Kinta effects will sync with one of the kintas, moving heads will sync with one of the moving heads, and wash effects will sync with the pars. Laser effects will sync with the laser, and strobe effects will sync with the strobe effects regardless of ILS mode.

This product will synchronize with the par effects of the GigBAR MOVE+ILS.

To set the 4BAR LT QuadBT ILS to respond to an ILS signal:

1. Press **<MENU>** repeatedly until **iLS** shows on the display.
2. Press **<ENTER>**.
3. Use **<UP>** or **<DOWN>** to select from **iLS1–4**.
4. Press **<ENTER>**.

5. Maintenance

Product Maintenance

Dust build-up reduces light output performance and can cause overheating. This can lead to reduction of the light source's life and/or mechanical wear. To maintain optimum performance and minimize wear, clean all lighting products at least twice a month. However, be aware that usage and environmental conditions could be contributing factors to increase the cleaning frequency.

To clean the product, follow the instructions below:

1. Unplug the product from power.
2. Wait until the product is at room temperature.
3. Use a vacuum (or dry compressed air) and a soft brush to remove dust collected on the external surface/vents.
4. Clean all transparent surfaces with a mild soap solution, ammonia-free glass cleaner, or isopropyl alcohol.
5. Apply the solution directly to a soft, lint free cotton cloth or a lens cleaning tissue.
6. Softly drag any dirt or grime to the outside of the transparent surface.
7. Gently polish the transparent surfaces until they are free of haze and lint.



Always dry the transparent surfaces carefully after cleaning them.

6. Technical Specifications

Dimensions and Weight

Length	Width	Height	Weight
36.1 in (918.1 mm)	3.7 in (95 mm)	10.8 in (274.3 mm)	7.2 lb (3.3 kg)
Stand Height	Tripod Size		
50–83 in (127–211 cm)	1 in (25.4 mm)		

Note: Dimensions in inches are rounded.

Power

Power Supply Type	Range	Voltage Selection
Switching (internal)	100 to 240 VAC, 50/60 Hz	Auto-ranging
Parameter	120 V, 60 Hz	230 V, 50 Hz
Consumption	46 W	44 W
Operating Current	0.6 A	0.3 A
Fuse	T 1.6 A, 250 V	T 1.6 A, 250 V
Power I/O	U.S./Worldwide	UK/Europe
Power input connector	IEC	IEC
Power output connector	Edison	IEC
Power cable plug	Edison (U.S.)	Local Plug

Light Source

Type	Color	Quantity	Power	Current	Lifespan
LED	Quad-color RGBA	12	4 W	2 A	50,000 hours

Photometrics

Beam Angle	Field Angle	Illuminance @ 2 m (Per Pod)
12°	21°	2,162 lux

Thermal

Maximum External Temperature	Cooling System
104 °F (40 °C)	Convection

DMX

I/O Connector	Channel Range
3-pin XLR	4, 6, or 19

Bluetooth

Bluetooth Version	Operating Frequency	Max. Unobstructed Distance
4.2	2.4 GHz	150 ft (25.7 m)

Ordering

Product Name	Item Code	UPC Number
4BAR LT QuadBT ILS	10032007	781462223557



Contact Us

General Information	Technical Support
Chauvet World Headquarters	
Address: 3360 Davie Rd., Suite 509 Davie, FL 33314 Voice: (954) 577-4455 Fax: (954) 929-5560 Toll Free: (800) 762-1084	Voice: (844) 393-7575 Fax: (954) 756-8015 Email: chauvetcs@chauvetlighting.com Website: www.chauvetdj.com
Chauvet U.K.	
Address: Pod 1 EVO Park Little Oak Drive, Sherwood Park Nottinghamshire, NG15 0EB UK Voice: +44 (0) 1773 511115 Fax: +44 (0) 1773 511110	Email: UKtech@chauvetlighting.eu Website: www.chauvetdj.eu
Chauvet Benelux	
Address: Stokstraat 18 9770 Kruishoutem Belgium Voice: +32 9 388 93 97	Email: BNLtech@chauvetlighting.eu Website: www.chauvetdj.eu
Chauvet France	
Address: 3, Rue Ampère 91380 Chilly-Mazarin France Voice: +33 1 78 85 33 59	Email: FRtech@chauvetlighting.fr Website: www.chauvetdj.eu
Chauvet Germany	
Address: Bruno-Bürgel-Str. 11 28759 Bremen Germany Voice: +49 421 62 60 20	Email: DEtech@chauvetlighting.de Website: www.chauvetdj.eu
Chauvet Mexico	
Address: Av. de las Partidas 34 - 3B (Entrance by Calle 2) Zona Industrial Lerma Lerma, Edo. de México, CP 52000 Voice: +52 (728) 690-2010	Email: servicio@chauvet.com.mx Website: www.chauvetdj.mx

Warranty & Returns

For warranty terms and conditions and return information, please visit our website.

For customers in the United States and Mexico: www.chauvetlighting.com/warranty-registration.

For customers in the United Kingdom, Republic of Ireland, Belgium, the Netherlands, Luxembourg, France, and Germany: www.chauvetlighting.eu/warranty-registration.