

EVE B-160Q

User Manual




CHAUVET 

Edition Notes

The EVE B-160Q User Manual includes a description, safety precautions, installation, programming, operation, and maintenance instructions for the EVE B-160Q as of the release date of this edition.

Trademarks

Chauvet, Chauvet DJ, the Chauvet logo, and EVE are registered trademarks or trademarks of Chauvet & Sons, LLC (d/b/a Chauvet and Chauvet Lighting) in the United States and other countries. Other company and product names and logos referred to herein may be trademarks of their respective companies.

Copyright Notice

The works of authorship contained in this manual, including, but not limited to, all designs, text, and images are owned by Chauvet.

© Copyright 2026 Chauvet & Sons, LLC. All rights reserved.

Electronically published by Chauvet in the United States of America.

Manual Use

Chauvet authorizes its customers to download and print this manual for professional information purposes only. Chauvet expressly prohibits the usage, copy, storage, distribution, modification, or printing of this manual or its content for any other purpose without written consent from Chauvet.

Document Printing

For best results, print this document in color, on letter size paper (8.5 x 11 in), double-sided. If using A4 paper (210 x 297 mm), configure the printer to scale the content accordingly.

Intended Audience

Any person installing, operating, and/or maintaining this product should completely read through the guide that shipped with the product, as well as this manual, before installing, operating, or maintaining this product.

Disclaimer

Chauvet believes that the information contained in this manual is accurate in all respects. However, Chauvet assumes no responsibility and specifically disclaims any and all liability to any party for any loss, damage, or disruption caused by any errors or omissions in this document, whether such errors or omissions result from negligence, accident, or any other cause. Chauvet reserves the right to revise the content of this document without any obligation to notify any person or company of such revision; however, Chauvet has no obligation to make, and does not commit to make, any such revisions.

Document Revision

Go to www.chauvetdj.com for the latest version.

Revision	Date	Description
1	1/2026	Initial release.

TABLE OF CONTENTS

1. Before You Begin	1
What Is Included	1
Unpacking Instructions	1
Claims	1
Text Conventions	1
Symbols	1
Safety Notes	2
RF Exposure Warning for North America and Australia	2
2. Introduction.....	3
Product Overview	3
Product Dimensions	4
3. Setup.....	5
AC Power	5
AC Plug	5
Fuse Replacement	5
Power Linking	6
Mounting	7
Orientation	7
Rigging	7
Glare Shield Installation	8
Filter Installation	9
4. Operation.....	10
Control Panel Operation	10
Menu Map	10
DMX Configuration	13
Starting Address	13
DMX Personalities	13
D-Fi USB Connectivity	14
D-Fi USB Compatibility	14
D-Fi USB Configuration	14
DMX Channel Assignments and Values	15
Zones for DMX Control	15
Color Temperature Chart	15
DMX Charts	16
11 Ch, 4 Ch, 3Ch	16
39 Ch	17
Standalone Configuration	19
Virtual Color Wheel	19
Color Temperature	19
Manual Color Mixer	19
Auto Show	19
Settings Configuration	20
Dimmer Curve	20
Dimmer Mode	20
DMX Loss	20
Back Light	20
Information	20
Temperature	20
Upgrade Firmware	20
Factory Reset	20
Wired Master/Slave Mode	21
D-Fi USB Master/Slave Mode	21

5. Maintenance	22
Product Maintenance	22
6. Technical Specifications	23
Contact Us	24
Warranty & Returns.....	24

1. Before You Begin

What Is Included

- EVE B-160Q
- Power cable
- Quick Reference Guide

Unpacking Instructions

Carefully unpack the product immediately and check the container to make sure all the parts are in the package and are in good condition.

Claims




If the box or the contents (the product and included accessories) appear damaged from shipping, or show signs of mishandling, notify the carrier immediately, not Chauvet. Failure to report damage to the carrier immediately may invalidate a claim. In addition, keep the box and contents for inspection.

For other issues, such as missing components or parts, damage not related to shipping, or concealed damage, file a claim with Chauvet within 7 days of delivery.

Text Conventions

Convention	Meaning
1–512	A range of values
50/60	A set of values of which only one can be chosen
Settings	A menu option not to be modified
<ENTER>	A key to be pressed on the product's control panel
ON	A value to be entered or selected

Symbols

Symbol	Meaning
	Critical installation, configuration, or operation information. Not following these instructions may make the product not work, cause damage to the product, or cause harm to the operator.
	Important installation or configuration information. The product may not function correctly if this information is not used.
	Useful information.

Safety Notes

These Safety Notes include important information about installation, use, and maintenance of the EVE B-160Q.



- **ALWAYS:**
 - ◆ Connect to a grounded circuit.
 - ◆ Connect to operating voltages as specified on the product's spec sticker.
 - ◆ Disconnect from power before replacing the fuse.
 - ◆ Disconnect from its power source during periods of inactivity.
 - ◆ Use a safety cable when suspending overhead.
 - ◆ Heed all restrictions and warnings on the spec sticker.
 - ◆ Mount in a location with at least 20 in (50 cm) of ventilation.
 - ◆ Replace the fuse with the same type and rating.
- In the event of a serious operating problem, stop using immediately..



- **DO NOT:**
 - ◆ Open this product or attempt any repairs. It contains no user-serviceable parts.
 - ◆ Look at the light source when the product is on.
 - ◆ Use if the power cable is crimped or damaged.
 - ◆ Disconnect by pulling on the power cable.
 - ◆ Allow flammable materials close to the product when it is operating.
 - ◆ Touch the housing when it is on.
 - ◆ Block any ventilation holes/slots in the housing.
 - ◆ Connect to a dimmer or rheostat.
 - ◆ Carry the product by its power cable.
 - ◆ Operate in temperatures higher than 104°F (40°C).
 - ◆ Expose to environments that exceed the Ingress Protection (IP) rating.
 - ◆ Expose to rain or moisture.
 - ◆ Use outdoors.
 - ◆ Submerge.
 - ◆ Expose to corrosive environmental conditions such as temperature, humidity, salinity, pressure, radiation, or shock.
 - ◆ Set this product on a flammable surface.



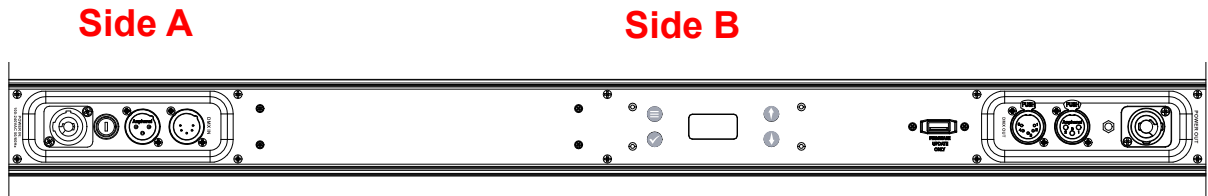
Keep this User Manual for future use. If the product is sold to someone else, be sure that they also receive this document.

RF Exposure Warning for North America and Australia

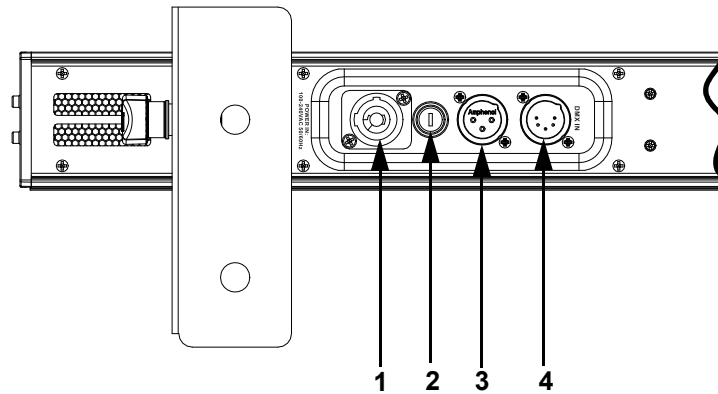
Warning! This equipment complies with FCC radiation exposure limits set forth for an uncontrolled environment. This equipment should be installed and operated with a minimum distance of 20 cm between the radiator and the user. This transmitter must not be co-located or operating in conjunction with any other antenna or transmitter.

2. Introduction

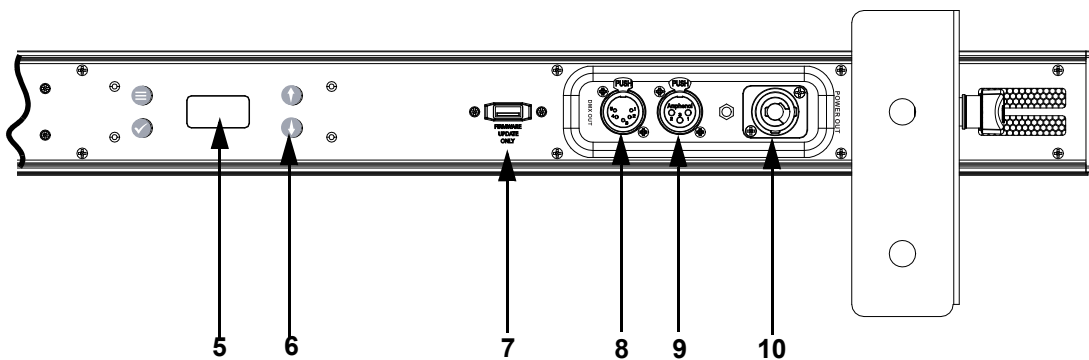
Product Overview



Side A

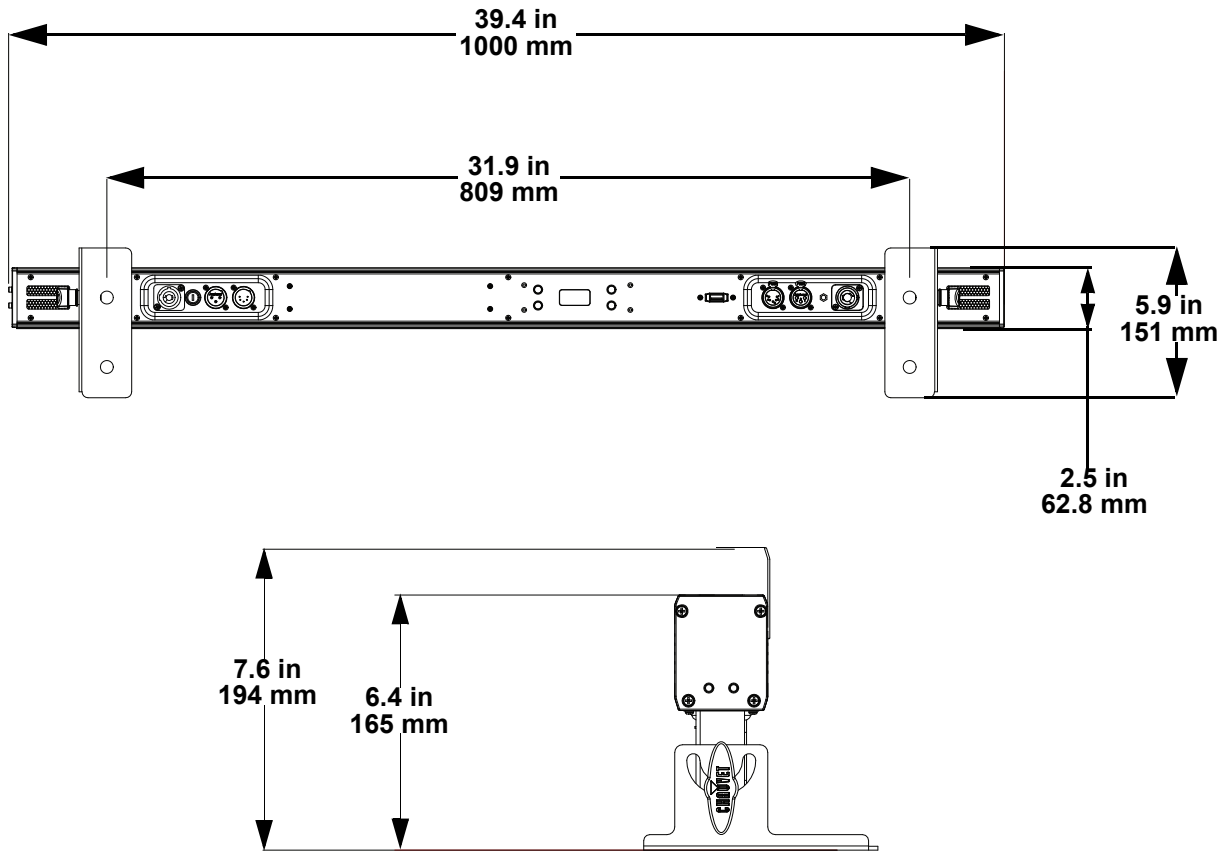


Side B



#	Name	#	Name
1	Power in	6	Menu buttons
2	Fuse holder	7	USB port
3	3-pin DMX in	8	5-pin DMX out
4	5-pin DMX in	9	3-pin DMX out
5	Display	10	Power out

Product Dimensions



3. Setup

AC Power

The EVE B-160Q has an auto-ranging power supply and it can work with an input voltage range of 100 to 240 VAC, 50/60 Hz.

To determine the product's power requirements (circuit breaker, power outlet, and wiring), use the current value listed on the label affixed to the product's back panel, or refer to the product's specifications chart. The listed current rating indicates the product's average current draw under normal conditions.



- **Always connect the product to a protected circuit (a circuit breaker or fuse). Make sure the product has an appropriate electrical ground to avoid the risk of electrocution or fire.**
- **To eliminate unnecessary wear and improve its lifespan, during periods of non-use completely disconnect the product from power via breaker or by unplugging it.**



- **Never connect the product to a rheostat (variable resistor) or dimmer circuit, even if the rheostat or dimmer channel serves only as a 0 to 100% switch.**

AC Plug

This product can be connected to a dimmer or rheostat, by plugging in to a standard outlet controlled by a dimmer or rheostat.

Connection	Wire (U.S.)	Wire (Europe)	Screw Color
AC Live	Black	Brown	Yellow/Brass
AC Neutral	White	Blue	Silver
AC Ground	Green/Yellow	Green/Yellow	Green/Silver

Fuse Replacement

1. Disconnect the product from power.
2. Using a flat-head screwdriver, unscrew the fuse holder and pull it straight out.
3. Remove the blown fuse from the holder and replace with a fuse of the exact same type and rating, T3.15 A, 250 V.
4. Re-insert the fuse holder and reconnect power.



- **Disconnect the product from the power outlet before replacing the fuse.**



- **Always replace a blown fuse with one of the same type and rating.**

Upgrade Firmware

To update the firmware on the EVE B-160Q, do the following:

1. Plug the flash drive into the USB port of the main fixture.
2. Press **<MENU>** repeatedly until **Upgrade Firmware** shows on the display.
3. Press **<ENTER>**.
4. Use **<UP>** or **<DOWN>** to select **Only this Fixture** (selects an update file for this product, or shows "No such file!"), **Multiple Fixture** (Selects an update file for this and connected EVE B-160Q products, or shows "No such file!"), or **Other Fixture Type** (selects an update file for other connected products, or shows "No such file!").
5. Press **<ENTER>**.



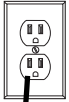
- **Place the .chl file in the root directory of the USB drive.**
- **The product's USB port supports up to 32GB capacity and only works with FAT32 file format.**

Power Linking

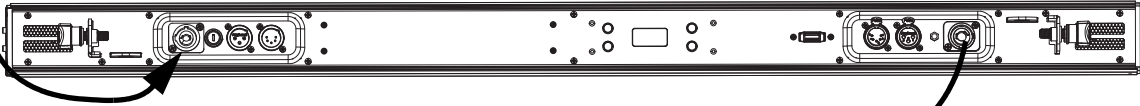
This product provides power linking via the outlet located in the back of the product. See the diagram below for further explanation.

Power Linking Diagram

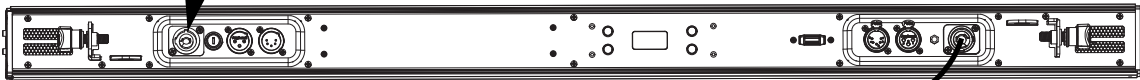
Power source



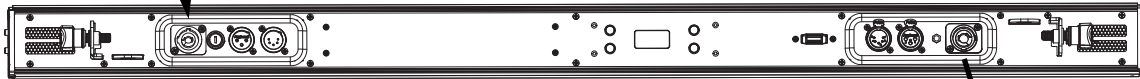
1st product



2nd product



3rd product



Additional products



It is possible to link up to 7 EVE B-160Q products on 120 VAC or up to 11 products on 230 VAC



The power linking diagram shown above corresponds to the North American version of the product **ONLY!** If using the product in other markets, consult with the local Chauvet distributor as power linking connectors and requirements may differ by country or region.

Setup

Mounting

Before mounting the product, read and follow the safety recommendations indicated in the [Safety Notes](#).

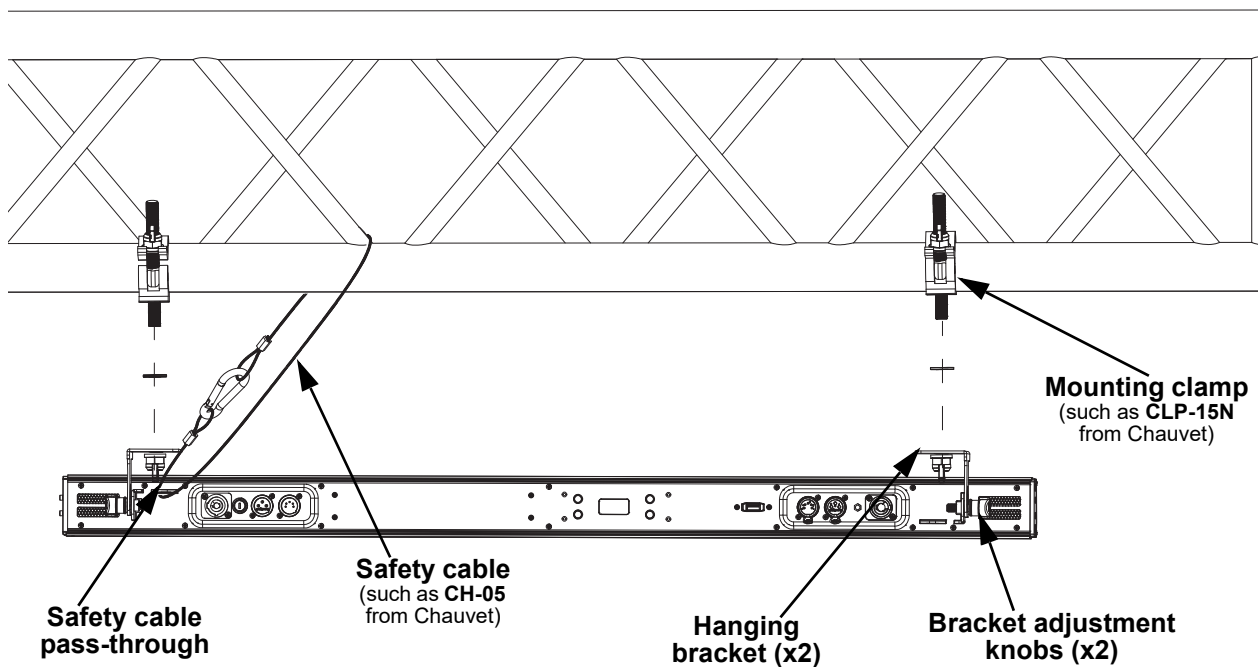
Orientation

The EVE B-160Q may be mounted in any position; however, make sure adequate ventilation is provided around the product.

Rigging

- Before deciding on a location for the product, always make sure there is easy access to the product for maintenance and programming.
- Make sure that the structure and attachment points can support the weight before hanging the product (see the [Technical Specifications](#) section for weight information).
- When mounting the product overhead, always use a safety cable. Mount the product securely to a rigging point, such as an elevated platform or a truss.
- When rigging the product onto a truss, use a mounting clamp of appropriate weight capacity. The bracket has a 13-mm hole, which is appropriate for this purpose.
- The bracket adjustment knobs allow for directional adjustment when aiming the product to the desired angle. Only loosen or tighten the bracket knobs manually. Using tools could damage the knobs.
- When power linking multiple products, mount the products close enough for power linking cables to reach.
- When mounting the product on the floor, make sure that the product and cables are away from people and vehicles.

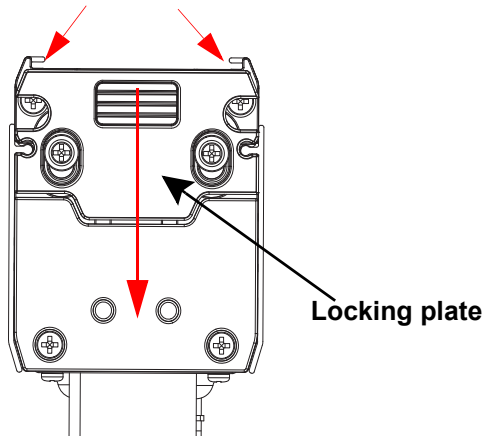
Mounting Diagram



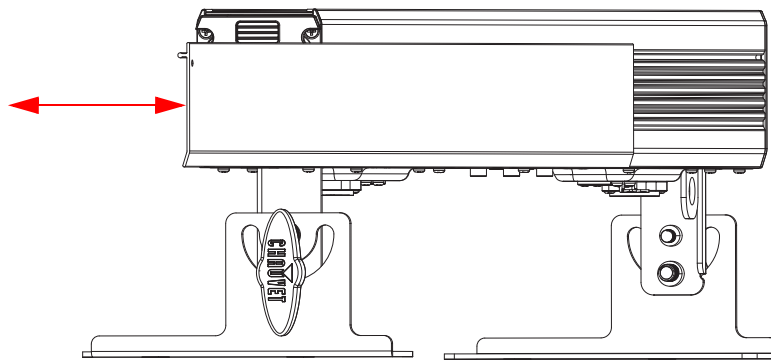
Glare Shield Installation

The EVE B-160Q comes with a glare shield, which can be stored or installed in a slot on the side of the product. The product keeps the glare shield and filter in place with a spring-loaded locking plate. To access the glare shield slots:

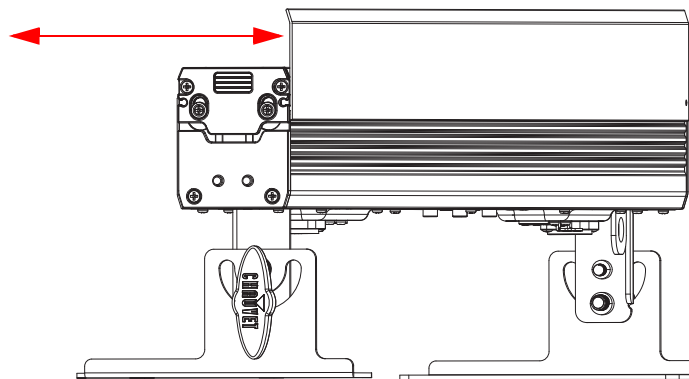
1. Press and hold down the locking plate.



2. Slide the glare shield out.



3. Turn the glare shield to the desired orientation and slide it back in.



4. Release the locking plate.

Filter Installation







The diffusion filter can be installed by holding down the locking plate and sliding the filter into the grooved channel running the length of the product.

4. Operation

Control Panel Operation

To access the control panel functions, use the four buttons located underneath the display. Please refer to the [Product Overview](#) to see the button locations on the control panel.

Button	Button	Function
	<MENU>	Press to find an operation mode or to back out of the current menu option
	<UP>	Press to scroll up the list of options or to find a higher value
	<DOWN>	Press to scroll down the list of options or to find a lower value
	<ENTER>	Press to activate a menu option or a selected value

Menu Map

Refer to the EVE B-160Q product page on www.chauvetdj.com for the latest menu map and software.

Main Menu	Programming Levels		Description
DMX Address	001–510		Selects DMX starting address
DMX Channel	3 Ch		3-channel DMX mode
	4 Ch		4-channel DMX mode
	11 Ch		11-channel DMX mode
	39 Ch		39-channel DMX mode
Virtual Color Wheel	Virtual Color Wheel	C3050–Md Yellow C3040–Lt Yellow C3240–Amb Yellow C2340–Vlt Amber C2040–Lt Amber C2050–Md Amber C2060–Dk Amber C1050–Lt Red C1080–Md Red C1020–NC Pink C1030–Md Pink C1630–Dk Pink C1250–Md Red Amber C1060–Dk Red Amber C1650–Magenta C6170–Dk Magenta C6020–Lt Lavender C5030–Lt Blue C5020–Vlt Blue C5430–Lt Blue2 C5070–Blue C5050–Md Blue C5060–Dk Blue C5690–Indigo C5080–VDk Blue C5081–Vdk Blue2	Dimmer (000–255) Selects preset colors

Main Menu	Programming Levels		Description	
Virtual Color Wheel (cont.)	Virtual Color Wheel (cont.)	C4370–Yel Green	Dimmer (000–255)	Selects preset colors
		C4070–Green		
C4550–Turquoise				
C4560–Aqua				
C4570–Blue Green				
Virtual Color Wheel (cont.)	Color Temperature	2800K	Dimmer (000–255)	Selects preset color temperature
		2900K		
		3000K		
		3100K		
		3200K		
		3300K		
		3400K		
		3500K		
		3600K		
		3700K		
		3800K		
		3900K		
		4000K		
		4100K		
		4200K		
		4300K		
		4400K		
		4500K		
		4600K		
		4700K		
		4800K		
		4900K		
		5000K		
		5100K		
		5200K		
		5300K		
		5400K		
		5500K		
5600K				
5700K				
6000K				
6500K				
7000K				
7500K				
8000K				
Manual Color	Manual Color	R= _ _ _	0–255	Combines red, green, blue, and white to make a custom color (0–100%)
		G= _ _ _		
		B= _ _ _		
		W= _ _ _		
Auto Show	Auto 1–5	001–100		Selects the auto program, and adjusts the speed of auto programs

Main Menu	Programming Levels	Description
Master/ Slave	Master	Sets unit to either master or slave
	Slave	
Dimmer Curve	S-Curve	Sets the dimmer curve
	Linear	
	Square	
	Inverse Square	
Dimmer Mode	Off	Linear dimmer
	Dimmer 1	Dimming curves: Dimmer 1 (fast) to Dimmer 3 (slow)
	Dimmer 2	
	Dimmer 3	
DMX Loss	Hold	Holds the last setting when DMX signal was lost
	Black	Blacks out the unit when DMX signal is lost
	Auto	Sets the unit to Auto mode when DMX signal is lost
Back Light	10S	Turns off display backlight after 10 seconds of inactivity
	30S	Turns off display backlight after 30 seconds of inactivity
	2Min	Turns off display backlight after 2 minutes of inactivity
	Always On	Display backlight remains on
Information	Fixture Hours <_ _ _ _ H>	Displays the total hours the product has been powered on
	LED Hours <_ _ _ _ H>	Displays the total LED hours
	Version <V_ _ _ _ _>	Displays firmware version
	UID <_ _ _ _ _ _ _ _>	Displays fixture UID
Temperature	LED1 _ _ _ _ °C	Displays current temperature for onboard LEDs in °C
	LED2 _ _ _ _ °C	
Upgrade Firmware	Only this fixture	Selects an update file for this product, or shows "No such file!"
	Multiple Fixture	Selects an update file for this and connected Shocker P2 products, or shows "No such file!"
	Other Fixture Type	Selects an update file for other connected products, or shows "No such file!"
Factory Reset	No	Resets settings to factory default
	Yes	

DMX Configuration

The EVE B-160Q works with a DMX controller. Information about DMX is in the Chauvet DMX Primer, which is available from the Chauvet website chauvetlighting.com/downloads/DMX_Primer_rev05_WO.pdf.

Starting Address

The EVE B-160Q uses up to 39 DMX channels, which defines the highest recommended address to **474**.

When selecting a starting DMX address, always consider the number of DMX channels the DMX mode uses. If the starting address is set too high, access to some channels could be restricted.

For information about the DMX protocol, download the DMX Primer from www.chauvetdj.com.

To select the starting address, do the following:

1. Press **<MENU>**.
2. Use **<UP>** or **<DOWN>** to select **DMX Address**.
3. Press **<ENTER>**.
4. Use **<UP>** or **<DOWN>** to select the starting address, from **001–510**.
5. Press **<ENTER>**.

DMX Personalities

The EVE B-160Q has 4 DMX personalities: 3 Ch, 4 Ch, 11 Ch, and 39 Ch.

To select which DMX personality to use, follow the steps below:

1. Press **<MENU>**.
2. Use **<UP>** or **<DOWN>** to select **DMX Channel**.
3. Press **<ENTER>**.
4. Use **<UP>** or **<DOWN>** to select **3 Ch, 4 Ch, 11 Ch** or **39 Ch**.
5. Press **<ENTER>**.

D-Fi USB Connectivity

The EVE B-160Q is able to become a D-Fi wireless receiver/transmitter with the use of the D-Fi USB from Chauvet DJ. Simply set the product's DMX Personality and DMX Address, set the DIP switch D-Fi receiving/transmitting channel, then plug it into the D-Fi USB port.



Once plugged in, the D-Fi USB will take over the product. Wired DMX and manual display control / menu buttons will be unavailable until the D-Fi USB is unplugged. The priority levels are:

1. D-Fi USB
2. Wired DMX
3. Manual Digital Display/Menu Buttons

D-Fi USB Compatibility

The D-Fi USB can receive a DMX signal from the D-Fi Hub and the FlareCON Air 2 as well as other D-Fi USB products.

D-Fi USB Configuration

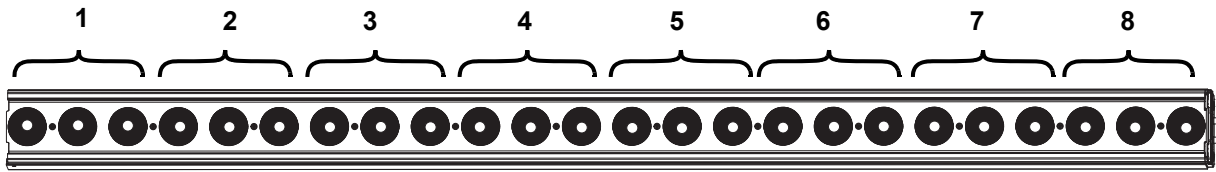
1. Set the DMX Personality and DMX address on the EVE B-160Q.
2. Use the Chart provided to set **BOTH**:
 - the Channel, and then
 - The Receiving or Transmitting option

NOTE: DIP Switch 5 is for Transmitting OR Receiving, please choose carefully.

D-Fi USB DIP Switch Channels

Receiving					Receiving					Transmitting					Transmitting								
Ch.	1	2	3	4	T/R	Ch.	1	2	3	4	T/R	Ch.	1	2	3	4	T/R	Ch.	1	2	3	4	T/R
1	█	█	█	█	█	9	█	█	█	█	█	1	█	█	█	█	█	9	█	█	█	█	█
2	█	█	█	█	█	10	█	█	█	█	█	2	█	█	█	█	█	10	█	█	█	█	█
3	█	█	█	█	█	11	█	█	█	█	█	3	█	█	█	█	█	11	█	█	█	█	█
4	█	█	█	█	█	12	█	█	█	█	█	4	█	█	█	█	█	12	█	█	█	█	█
5	█	█	█	█	█	13	█	█	█	█	█	5	█	█	█	█	█	13	█	█	█	█	█
6	█	█	█	█	█	14	█	█	█	█	█	6	█	█	█	█	█	14	█	█	█	█	█
7	█	█	█	█	█	15	█	█	█	█	█	7	█	█	█	█	█	15	█	█	█	█	█
8	█	█	█	█	█	16	█	█	█	█	█	8	█	█	█	█	█	16	█	█	█	█	█

DMX Channel Assignments and Values Zones for DMX Control



Color Temperature Chart

Value	Percent/Setting	Value	Percent/Setting	Value	Percent/Setting
000 ⇔ 005	No function	083 ⇔ 089	3900K	167 ⇔ 173	5000K
006 ⇔ 012	2800K	090 ⇔ 096	4000K	174 ⇔ 180	5100K
013 ⇔ 019	2900K	097 ⇔ 103	4100K	181 ⇔ 187	5200K
020 ⇔ 026	3000K	104 ⇔ 110	4200K	188 ⇔ 194	5300K
027 ⇔ 033	3100K	111 ⇔ 117	3200K	195 ⇔ 201	5400K
034 ⇔ 040	3200K	118 ⇔ 124	4300K	202 ⇔ 208	5500K
041 ⇔ 047	3300K	125 ⇔ 131	4400K	209 ⇔ 215	5600K
048 ⇔ 054	3400K	132 ⇔ 138	4500K	216 ⇔ 222	5700K
055 ⇔ 061	3500K	139 ⇔ 145	4600K	223 ⇔ 229	6000K
062 ⇔ 068	3600K	146 ⇔ 152	4700K	230 ⇔ 236	6500K
069 ⇔ 075	3700K	153 ⇔ 159	4800K	237 ⇔ 243	7000K
076 ⇔ 082	3800K	160 ⇔ 166	4900K	244 ⇔ 255	8000K

DMX Charts

11 Ch / 4 Ch / 3 Ch

3 Ch	4 Ch	11 Ch	Function	Value	Percent/Setting
1	-	1	Dimmer	000 ⇔ 255	0–100%
-	1	2	Red	000 ⇔ 255	0–100%
-	2	3	Green	000 ⇔ 255	0–100%
-	3	4	Blue	000 ⇔ 255	0–100%
-	4	5	White	000 ⇔ 255	0–100%
-	-	6	Strobe	000 ⇔ 010 011 ⇔ 255	No function Strobe, slow to fast
2	-	7	Color macro	000 ⇔ 005	No function
				006 ⇔ 013	Md yellow
				014 ⇔ 021	Lt yellow
				022 ⇔ 028	Amb yellow
				029 ⇔ 035	Vlt amber
				036 ⇔ 043	Lt amber
				044 ⇔ 051	Md amber
				052 ⇔ 059	Dk amber
				060 ⇔ 067	Lt red
				068 ⇔ 075	Md red
				076 ⇔ 083	NC pink
				084 ⇔ 091	Md pink
				092 ⇔ 099	Dk pink
				100 ⇔ 107	Md red amber
				108 ⇔ 115	Dk red amber
				116 ⇔ 121	Magenta
				122 ⇔ 130	Dk magenta
				131 ⇔ 138	Lt lavender
				139 ⇔ 154	Lt blue
				155 ⇔ 162	Lt blue2
				163 ⇔ 170	Blue
171 ⇔ 178	Md blue				
179 ⇔ 186	Dk blue				
187 ⇔ 194	Indigo				
195 ⇔ 202	Vdk blue				
203 ⇔ 210	Vdk blue 2				
211 ⇔ 218	Yel Green				
219 ⇔ 226	Green				
227 ⇔ 234	Turquoise				
235 ⇔ 242	Aqua				
243 ⇔ 250	Blue green				
251 ⇔ 255	No function				
3	-	8	Color Temperature	000 ⇔ 255	Refer to the Color Temperature Chart for specific values.

3 Ch	4 Ch	11 Ch	Function	Value	Percent/Setting
-	-	9	Auto program	000 ⇔ 010	No function
				011 ⇔ 060	Auto program 1
				061 ⇔ 110	Auto program 2
				111 ⇔ 160	Auto program 3
				161 ⇔ 210	Auto program 4
				211 ⇔ 255	Auto program 5
-	-	10	Auto program speed	000 ⇔ 255	Auto program speed, slow to fast
-	-	11	Control (Hold for 3 seconds)	000 ⇔ 007	No function
				008 ⇔ 015	Dimmer reset
				016 ⇔ 023	Dimmer mode off
				024 ⇔ 031	Dimmer mode 1
				032 ⇔ 039	Dimmer mode 2
				040 ⇔ 047	Dimmer mode 3
				048 ⇔ 255	No function

39 Ch

Channel	Function	Value	Percent/Setting
1	Dimmer	000 ⇔ 255	0-100%
2	Red 1	000 ⇔ 255	0-100%
3	Green 1	000 ⇔ 255	0-100%
4	Blue 1	000 ⇔ 255	0-100%
5	White 1	000 ⇔ 255	0-100%
6	Red 2	000 ⇔ 255	0-100%
7	Green 2	000 ⇔ 255	0-100%
8	Blue 2	000 ⇔ 255	0-100%
9	White 2	000 ⇔ 255	0-100%
10	Red 3	000 ⇔ 255	0-100%
11	Green 3	000 ⇔ 255	0-100%
12	Blue 3	000 ⇔ 255	0-100%
13	White 3	000 ⇔ 255	0-100%
14	Red 4	000 ⇔ 255	0-100%
15	Green 4	000 ⇔ 255	0-100%
16	Blue 4	000 ⇔ 255	0-100%
17	White 4	000 ⇔ 255	0-100%
18	Red 5	000 ⇔ 255	0-100%
19	Green 5	000 ⇔ 255	0-100%
20	Blue 5	000 ⇔ 255	0-100%
21	White 5	000 ⇔ 255	0-100%
22	Red 6	000 ⇔ 255	0-100%
23	Green 6	000 ⇔ 255	0-100%
24	Blue 6	000 ⇔ 255	0-100%
25	White 6	000 ⇔ 255	0-100%
26	Red 7	000 ⇔ 255	0-100%
27	Green 7	000 ⇔ 255	0-100%
28	Blue 7	000 ⇔ 255	0-100%
29	White 7	000 ⇔ 255	0-100%
30	Red 8	000 ⇔ 255	0-100%

Channel	Function	Value	Percent/Setting
31	Green 8	000 ⇔ 255	0–100%
32	Blue 8	000 ⇔ 255	0–100%
33	White 8	000 ⇔ 255	0–100%
34	Strobe	000 ⇔ 010	No function
		011 ⇔ 255	Strobe, slow to fast
35	Color macro	000 ⇔ 005	No function
		006 ⇔ 013	Md yellow
		014 ⇔ 021	Lt yellow
		022 ⇔ 028	Amb yellow
		029 ⇔ 035	Vlt amber
		036 ⇔ 043	Lt amber
		044 ⇔ 051	Md amber
		052 ⇔ 059	Dk amber
		060 ⇔ 067	Lt red
		068 ⇔ 075	Md red
		076 ⇔ 083	NC pink
		084 ⇔ 091	Md pink
		092 ⇔ 099	Dk pink
		100 ⇔ 107	Md red amber
		108 ⇔ 115	Dk red amber
		116 ⇔ 121	Magenta
		122 ⇔ 130	Dk magenta
		131 ⇔ 138	Lt lavender
		139 ⇔ 154	Lt blue
		155 ⇔ 162	Lt blue2
		163 ⇔ 170	Blue
		171 ⇔ 178	Md blue
		179 ⇔ 186	Dk blue
		187 ⇔ 194	Indigo
		195 ⇔ 202	Vdk blue
		203 ⇔ 210	Vdk blue 2
		211 ⇔ 218	Yel Green
		219 ⇔ 226	Green
227 ⇔ 234	Turquoise		
235 ⇔ 242	Aqua		
243 ⇔ 250	Blue green		
251 ⇔ 255	No function		
36	Color Temperature	000 ⇔ 255	Refer to the Color Temperature Chart for specific values.
37	Auto program	000 ⇔ 010	No function
		011 ⇔ 060	Auto program 1
		061 ⇔ 110	Auto program 2
		111 ⇔ 160	Auto program 3
		161 ⇔ 210	Auto program 4
211 ⇔ 255	Auto program 5		
38	Auto program speed	000 ⇔ 255	Auto program speed, slow to fast

Channel	Function	Value	Percent/Setting
39	Control (Hold for 3 seconds)	000 ⇔ 007	No function
		008 ⇔ 015	Dimmer reset
		016 ⇔ 023	Dimmer mode off
		024 ⇔ 031	Dimmer mode 1
		032 ⇔ 039	Dimmer mode 2
		040 ⇔ 047	Dimmer mode 3
		048 ⇔ 255	No function

Standalone Configuration

Set the product in one of the standalone modes to operate without a DMX controller.



Never connect a product that is operating in any standalone mode to a DMX string connected to a DMX controller. Products in standalone mode may transmit DMX signals that could interfere with the DMX signals from the controller.

Virtual Color Wheel

To run the EVE B-160Q with a virtual color wheel:

1. Press <MENU> repeatedly until **Virtual Color Wheel** shows on the display.
2. Press <ENTER>.
3. Use <UP> or <DOWN> to select **Virtual Color Wheel**.
4. Press <ENTER>.
5. Use <UP> or <DOWN> to select from **Md Yellow, Lt Yellow, Amb Yellow, Vlt Amber, Lt Amber, Md Amber, Dk Amber, Lt Red, Md Red, NC Pink, Md Pink, Dk Pink, Md Red Amber, Dk Red Amber, Magenta, Dk Magenta, Lt Lavender, Lt Blue, Vlt Blue, Lt Blue2, Blue, Md Blue, Dk Blue, Indigo, Vdk Blue, Vdk Blue2, Yel Green, Green, Turquoise, Aqua, or Blue Green**.
6. Press <ENTER>.
7. Use <UP> or <DOWN> to increase or decrease the value of the dimmer, from **000–255**.
8. Press <ENTER>.

Color Temperature

To run the EVE B-160Q with a preset color temperature:

1. Press <MENU> repeatedly until **Virtual Color Wheel** shows on the display.
2. Press <ENTER>.
3. Use <UP> or <DOWN> to select **Color Temperature**.
4. Press <ENTER>.
5. Use <UP> or <DOWN> to select from **2800K, 2900K, 3000K, 3100K, 3200K, 3300K, 3400K, 3500K, 3600K, 3700K, 3800K, 3900K, 4000K, 4100K, 4200K, 4300K, 4400K, 4500K, 4600K, 4700K, 4800K, 4900K, 5000K, 5100K, 5200K, 5300K, 5400K, 5500K, 5600K, 5700K, 6000K, 6500K, 7000K, 7500K, or 8000K**.

Manual Color Mixer

To combine colors with a manual color mixer:

1. Press <MENU> repeatedly until **Virtual Color Wheel** shows on the display.
2. Press <ENTER>.
3. Use <UP> or <DOWN> to select **Manual Color Mixer**.
4. Press <ENTER>.
5. Use <UP> or <DOWN> to select from **R=___ (Red), G=___ (Green), B=___ (Blue), or W=___ (White)**.
6. Press <ENTER>.
7. Use <UP> or <DOWN> to increase or decrease the value, from **000–255**.
8. Press <ENTER>.

Auto Show

To run the EVE B-160Q with an auto program:

1. Press **<MENU>** repeatedly until **Auto Show** shows on the display.
2. Press **<ENTER>**.
3. Use **<UP>** or **<DOWN>** to select an auto program, from **Auto 1–5**.
4. Press **<ENTER>**.
5. Use **<UP>** or **<DOWN>** to increase or decrease the value, from **001–100**.
6. Press **<ENTER>**.

Settings Configuration

Dimmer Curve

To select the dimmer curve on the EVE B-160Q:

1. Press **<MENU>** repeatedly until **Dimmer Curve** shows on the display.
2. Press **<ENTER>**.
3. Use **<UP>** or **<DOWN>** to select a dimmer curve, from **S-Curve, Linear, Square, or Inverse Square**.
4. Press **<ENTER>**.

Dimmer Mode

To select the dimmer mode on the EVE B-160Q:

1. Press **<MENU>** repeatedly until **Dimmer Mode** shows on the display.
2. Press **<ENTER>**.
3. Use **<UP>** or **<DOWN>** to select a dimmer mode, from **Dimmer 1–3** (fast to slow), or **Off**.
4. Press **<ENTER>**.

DMX Loss

To set the DMX Loss mode on the EVE B-160Q:

1. Press **<MENU>** repeatedly until **DMX Loss** shows on the display.
2. Press **<ENTER>**.
3. Use **<UP>** or **<DOWN>** to select from **Hold** (holds the last setting), **Black** (blacks out the product), or **Auto** (sets the unit to auto mode).
4. Press **<ENTER>**.

Back Light

To set the back light timing on the EVE B-160Q:

1. Press **<MENU>** repeatedly until **Back Light** shows on the display.
2. Press **<ENTER>**.
3. Use **<UP>** or **<DOWN>** to select **10S** (Turns off display light after 10 seconds of inactivity), **30S** (Turns off display light after 30 seconds of inactivity), **2Min** (Turns off display light after 2 minutes of inactivity), or **Always On** (display back light remains on).
4. Press **<ENTER>**.

Information

To view information on the EVE B-160Q:

1. Press **<MENU>** repeatedly until **Information** shows on the display.
2. Press **<ENTER>**.

Temperature

To view the current temperature of the LEDs of the EVE B-160Q, do the following:

1. Press **<MENU>** repeatedly until **Temperature** shows on the display.
2. Press **<ENTER>**.

Factory Reset

To set the back light timing on the EVE B-160Q, do the following:

1. Press **<MENU>** repeatedly until **Factory Reset** shows on the display.
2. Press **<ENTER>**.
3. Use **<UP>** or **<DOWN>** to select **No** (Maintains current settings) or **Yes** (resets settings to factory default).
4. Press **<ENTER>**.

Wired Master/Slave Mode

The Master/Slave mode allows a single EVE B-160Q product (the “master”) to control the actions of one or more EVE B-160Q products (the “slaves”) without the need of a DMX controller. The master product will be set to operate in either standalone mode or with the IRC-6, while the slave products will be set to operate in slave mode. Once set and connected, the slave products will operate in unison with the master product. Configure the products as indicated below.

Slave products:

1. Press **<MENU>** repeatedly until **DMX Address** shows on the display.
2. Press **<ENTER>**.
3. Use **<UP>** or **<DOWN>** to set the starting address to **001**.
4. Press **<ENTER>**.
5. Connect the DMX input of the first slave product to the DMX output of the master product.
6. Connect the DMX input of the subsequent slave products to the DMX output of the previous slave product.
7. Finish setting and connecting all the slave products.

Master product:

1. Set the master product to operate in standalone mode.
2. Make the master product the first product in the DMX daisy chain.



- **Configure all the slave products before connecting the master to the daisy chain.**
- **Never connect a DMX controller to a DMX string configured for Master/Slave operation because the controller may interfere with the signals from the master.**
- **Do not connect more than 31 slaves to the master.**

D-Fi USB Master/Slave Mode

The D-Fi USB allows a single EVE B-160Q product (the “master”) to control the actions of one or more EVE B-160Q products (the “slaves”) without the need of a DMX controller or DMX cables. The master (transmitter) product will be set to operate in standalone mode, while the slave (receiver) products will be set to operate in slave mode. Once set and connected, the slave products will operate in unison with the master product.

Configure the products as indicated below.

Slave products:

1. Press **<MENU>** repeatedly until **DMX Address** shows on the display.
2. Press **<ENTER>**.
3. Use **<UP>** or **<DOWN>** to set the starting address to **001**.
4. Press **<ENTER>**.
5. Set the D-Fi USB to receive on a specific channel, 1–16.
6. Plug in the D-Fi USB.
7. Finish setting and connecting all the slave products.

Master product:

1. Set the master product to operate in standalone mode.
2. Set the D-Fi USB to transmit on the D-Fi channel the slaves are receiving on.
3. Plug in the D-Fi USB.



- **All products must be set to the same DMX personality, DMX address, and D-Fi channel.**
- **Configure all the slave products before configuring the master to transmit.**
- **Never connect a DMX controller to a D-Fi channel configured for Master/Slave operation because the controller may interfere with the signals from the master.**

5. Maintenance

Product Maintenance

Dust build-up reduces light output performance and can cause overheating. This can lead to reduction of the light source's life and/or mechanical wear. To maintain optimum performance and minimize wear, clean all lighting products at least twice a month. However, be aware that usage and environmental conditions could be contributing factors to increase the cleaning frequency.

To clean the product, follow the instructions below:

1. Unplug the product from power.
2. Wait until the product is at room temperature.
3. Use a vacuum (or dry compressed air) and a soft brush to remove dust collected on the external surface/vents.
4. Clean all transparent surfaces with a mild soap solution, ammonia-free glass cleaner, or isopropyl alcohol.
5. Apply the solution directly to a soft, lint free cotton cloth or a lens cleaning tissue.
6. Softly drag any dirt or grime to the outside of the transparent surface.
7. Gently polish the transparent surfaces until they are free of haze and lint.



Always dry the transparent surfaces carefully after cleaning them.

6. Technical Specifications

Dimensions and Weight

Length	Width	Height	Weight
39.4 in (1000 mm)	5.9 in (151 mm)	7.6 in (194 mm)	10.4 lb (4.7 kg)

Note: Dimensions in inches are rounded.

Power

Power Supply Type	Range	Voltage Selection
Switching (internal)	100 to 240 VAC, 50/60 Hz	Auto-ranging

Parameter	120 V, 60 Hz	230 V, 50 Hz
Consumption	105 W	102 W
Operating Current	1.6 A	1.0 A
Power linking current (products)	12 A (7 products)	12 A (11 products)
Fuse	T3.15 A, 250 V	T3.15 A, 250 V

Power I/O	U.S./Worldwide	UK/Europe
Power input connector	PowerCON compatible	PowerCON compatible
Power output connector	PowerCON compatible	PowerCON compatible
Power cable plug	Edison (U.S.)	Local Plug

Light Source

Type	Color	Quantity	Power	Current	Lifespan
LED	Quad-color RGBW	24	6.5 W	3.2 A	50,000 hours

Photometrics

Beam Angle	Field Angle	Beam Angle w/filter	Field Angle w/filter
15°	30°	24°	52°
Lumens		Illuminance @ 2m	
3,909		8,300 lux	

Thermal

Maximum External Temperature	Cooling System
104 °F (40 °C)	Convection

DMX

I/O Connector	Channel Range
3-pin XLR	3, 4, 11, or 39

Ordering

Product Name	Item Code	UPC Number
EVE B-160Q	03032724	781462230722



Contact Us

General Information	Technical Support
Chauvet World Headquarters	
Address: 3360 Davie Rd., Suite 509 Davie, FL 33314 Voice: (954) 577-4455 Fax: (954) 929-5560 Toll Free: (800) 762-1084	Voice: (844) 393-7575 Fax: (954) 756-8015 Email: chauvetcs@chauvetlighting.com Website: www.chauvetdj.com
Chauvet U.K.	
Address: Pod 1 EVO Park Little Oak Drive, Sherwood Park Nottinghamshire, NG15 0EB UK Voice: +44 (0) 1773 511115 Fax: +44 (0) 1773 511110	Email: UKtech@chauvetlighting.eu Website: www.chauvetdj.eu
Chauvet Benelux	
Address: Vaartlaan 9 9800 Deinze Belgium Voice: +32 9 388 93 97	Email: BNLtech@chauvetlighting.eu Website: www.chauvetdj.eu
Chauvet France	
Address: 3, Rue Ampère 91380 Chilly-Mazarin France Voice: +33 1 78 85 33 59	Email: FRtech@chauvetlighting.fr Website: www.chauvetdj.eu
Chauvet Germany	
Address: Bruno-Bürgel-Str. 11 28759 Bremen Germany Voice: +49 421 62 60 20	Email: DEtech@chauvetlighting.de Website: www.chauvetdj.eu
Chauvet Mexico	
Address: Av. de las Partidas 34 - 3B (Entrance by Calle 2) Zona Industrial Lerma Lerma, Edo. de México, CP 52000 Voice: +52 (728) 690-2010	Email: servicio@chauvet.com.mx Website: www.chauvetdj.mx

Warranty & Returns

For warranty terms and conditions and return information, please visit our website.

For customers in the United States and Mexico: www.chauvetlighting.com/warranty-registration.

For customers in the United Kingdom, Republic of Ireland, Belgium, the Netherlands, Luxembourg, France, and Germany: www.chauvetlighting.eu/warranty-registration.