

D-Fi Hub 2

User Manual



Edition Notes

The D-Fi Hub 2 User Manual includes a description, safety precautions, installation, programming, operation, and maintenance instructions for the D-Fi Hub 2 as of the release date of this edition.

Trademarks

Chauvet, Chauvet DJ, the Chauvet logo, and D-Fi Hub are registered trademarks or trademarks of Chauvet & Sons, LLC (d/b/a Chauvet and Chauvet Lighting) in the United States and other countries. Other company and product names and logos referred to herein may be trademarks of their respective companies.

Copyright Notice

The works of authorship contained in this manual, including, but not limited to, all designs, text, and images are owned by Chauvet.

© Copyright 2026 Chauvet & Sons, LLC. All rights reserved.

Electronically published by Chauvet in the United States of America.

Manual Use

Chauvet authorizes its customers to download and print this manual for professional information purposes only. Chauvet expressly prohibits the usage, copy, storage, distribution, modification, or printing of this manual or its content for any other purpose without written consent from Chauvet.

Document Printing

For best results, print this document in color, on letter size paper (8.5 x 11 in), double-sided. If using A4 paper (210 x 297 mm), configure the printer to scale the content accordingly.

Intended Audience

Any person installing, operating, and/or maintaining this product should completely read through the guide that shipped with the product, as well as this manual, before installing, operating, or maintaining this product.

Disclaimer

Chauvet believes that the information contained in this manual is accurate in all respects. However, Chauvet assumes no responsibility and specifically disclaims any and all liability to any party for any loss, damage, or disruption caused by any errors or omissions in this document, whether such errors or omissions result from negligence, accident, or any other cause. Chauvet reserves the right to revise the content of this document without any obligation to notify any person or company of such revision; however, Chauvet has no obligation to make, and does not commit to make, any such revisions.

Document Revision

Go to www.chauvetdj.com for the latest version.

Revision	Date	Description
3	05/2026	Updated product images

TABLE OF CONTENTS

1. Before You Begin	1
What Is Included	1
Unpacking Instructions	1
Claims	1
Text Conventions	1
Symbols	1
Safety Notes	2
FCC Statement of Compliance	2
RF Exposure Warning for North America and Australia	2
2. Introduction	3
Product Overview	3
Product Dimensions	3
3. Setup	4
AC Power	4
Mounting	4
4. Operation	5
Control Panel Operation	5
Configuration	5
USB Firmware Update	6
5. Technical Specifications	7
Contact Us	8
Warranty & Returns	8

1. Before You Begin

What Is Included

- D-Fi Hub 2
- Power cable
- Power supply
- Quick Reference Guide

Unpacking Instructions

Carefully unpack the product immediately and check the container to make sure all the parts are in the package and are in good condition.

Claims





If the box or the contents (the product and included accessories) appear damaged from shipping, or show signs of mishandling, notify the carrier immediately, not Chauvet. Failure to report damage to the carrier immediately may invalidate a claim. In addition, keep the box and contents for inspection.

For other issues, such as missing components or parts, damage not related to shipping, or concealed damage, file a claim with Chauvet within 7 days of delivery.

Text Conventions

Convention	Meaning
1–512	A range of values
50/60	A set of values of which only one can be chosen
Settings	A menu option not to be modified
<ENTER>	A key to be pressed on the product’s control panel
ON	A value to be entered or selected

Symbols

Symbol	Meaning
	Electrical warning. Not following these instructions may cause electrical damage to the product, accessories, or the user.
	Critical installation, configuration, or operation information. Not following these instructions may make the product not work, cause damage to the product, or cause harm to the operator.
	Important installation or configuration information. The product may not function correctly if this information is not used.
	Useful information.

Safety Notes

These Safety Notes include important information about installation and use of the D-Fi Hub 2.



■ **ALWAYS:**

- ◆ Connect to a grounded circuit.
- ◆ Connect to operating voltages as specified on the product's spec sticker.
- ◆ Disconnect from its power source during periods of inactivity.
- ◆ Heed all restrictions and warnings on the spec sticker.

- In the event of a serious operating problem, stop using immediately.

■ **DO NOT:**

- ◆ Open this product or attempt any repairs. It contains no user-serviceable parts.
- ◆ Use if the power cable is crimped or damaged.
- ◆ Disconnect by pulling on the power cable.
- ◆ Carry the product by its power cable.
- ◆ Operate in temperatures higher than 104°F (40°C).
- ◆ Expose to environments that exceed the Ingress Protection (IP) rating.
- ◆ Expose to rain or moisture.
- ◆ Use outdoors.



Keep this User Manual for future use. If the product is sold to someone else, be sure that they also receive this document.

FCC Statement of Compliance

This device complies with Part 15 Part B of the FCC rules. Operation is subject to the following two conditions:

1. This device may not cause harmful interference, and
2. This device must accept any interference received, including interference that may cause undesired operation.

This equipment has been tested and found to comply with the limits for a Class B digital device, pursuant to Part 15 of the FCC Rules. These limits are designed to provide reasonable protection against harmful interference in a residential installation. This equipment generates uses and can radiate radio frequency energy and, if not installed and used in accordance with the instructions, may cause harmful interference to radio communications. However, there is no guarantee that interference will not occur in a particular installation. If this equipment does cause harmful interference to radio or television reception, which can be determined by turning the equipment off and on, the user is encouraged to try to correct the interference by one or more of the following measures:

- Reorient or relocate the receiving antenna.
- Increase the separation between the equipment and receiver.
- Connect the equipment into an outlet on a circuit different from that to which the receiver is connected.
- Consult the dealer or an experienced radio/TV technician for help.

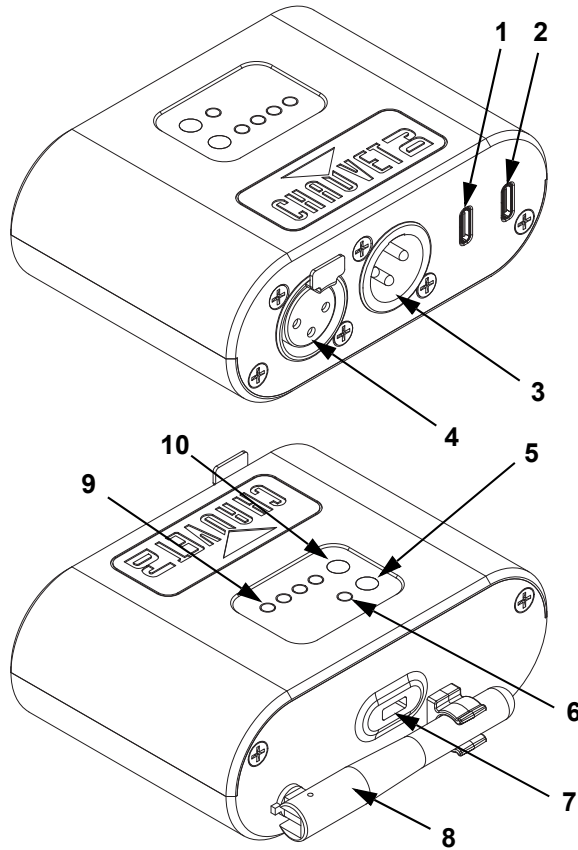
Any changes or modifications not expressly approved by the party responsible for compliance could void the user's authority to operate the equipment.

RF Exposure Warning for North America and Australia

Warning! This equipment complies with FCC radiation exposure limits set forth for an uncontrolled environment. This equipment should be installed and operated with a minimum distance of 20 cm between the radiator and the user. This transmitter must not be co-located or operating in conjunction with any other antenna or transmitter.

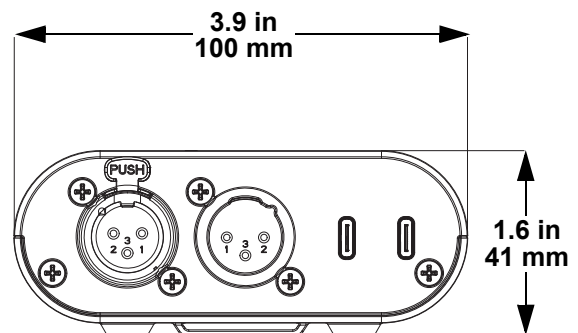
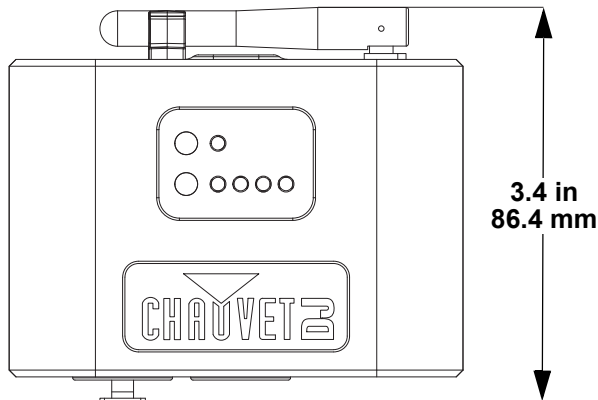
2. Introduction

Product Overview



#	Name
1	Power in
2	Power out/ firmware update
3	3-pin DMX in
4	3-pin DMX out
5	Mode button
6	Mode status indicator
7	Kensington security slot
8	Antenna
9	Channel indicator lights
10	Channel button

Product Dimensions



3. Setup

AC Power

The D-Fi Hub 2 has an external power supply with an input voltage range of 100–240 VAC, 50/60 Hz.

To determine the product's power requirements (circuit breaker, power outlet, and wiring), use the current value listed on the product's label or refer to the product's specifications chart. The listed current rating indicates the product's average current draw under normal conditions.



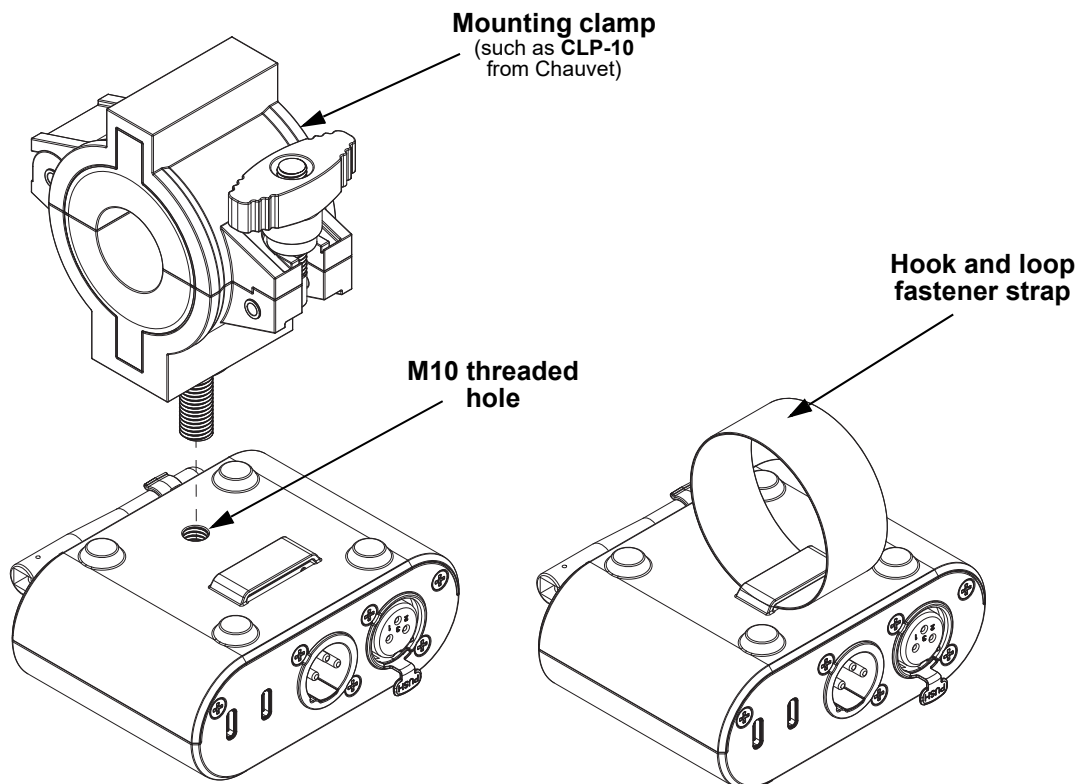
- **Always connect the product to a protected circuit (a circuit breaker or fuse). Make sure the product has an appropriate electrical ground to avoid the risk of electrocution or fire.**
- **To eliminate unnecessary wear and improve its lifespan, during periods of non-use completely disconnect the product from power via breaker or by unplugging it.**

Mounting

Before mounting the product, read and follow the safety recommendations indicated in the [Safety Notes](#).

- Before deciding on a location for the product, always make sure there is easy access to the product for maintenance and programming.

Mounting Diagram



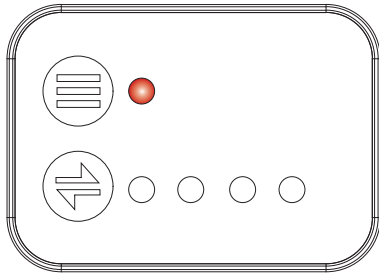
To prevent accidental loosening when using a single mounting clamp, be sure to use a clamp with a captive bolt.

4. Operation

Control Panel Operation

Button	Name	Function
	<Mode>	Set hub to transmit or receive a signal
	<Channel >	Select a channel for operation

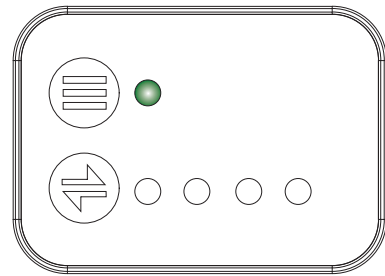
Configuration



Receive

To receive a DMX signal from a D-Fi-compatible controller:

1. Connect the D-Fi Hub 2 to power.
2. Connect the DMX output of the D-Fi Hub 2 to the DMX input of a DMX-controllable fixture.
3. Press <Mode> until the status indicator light is red.
4. The status indicator light will blink to indicate the hub is receiving a signal.



Transmit

To transmit a DMX signal to D-Fi-compatible products:

1. Connect the D-Fi Hub 2 to power.
2. Connect the DMX output of a controller to the DMX input of the D-Fi Hub 2.
3. Press <Mode> until the status indicator light is green.
4. The status indicator light will blink to indicate the hub is transmitting a signal.

Channel Key

Use the <Channel> button to select an operating channel for the D-Fi Hub 2. Press the button repeatedly to cycle through channels 1–16.



The D-Fi Hub 2 must be set to the same channel as the controller and all D-Fi-compatible products in order to transmit or receive a DMX signal.

1 ● ● ● ●	9 ● ● ● ●
2 ● ● ● ●	10 ● ● ● ●
3 ● ● ● ●	11 ● ● ● ●
4 ● ● ● ●	12 ● ● ● ●
5 ● ● ● ●	13 ● ● ● ●
6 ● ● ● ●	14 ● ● ● ●
7 ● ● ● ●	15 ● ● ● ●
8 ● ● ● ●	16 ● ● ● ●

USB Firmware Update

The D-Fi Hub 2 allows for firmware updates with a USB device using the built-in USB port. To update the firmware using a USB type C flash drive, do the following:

1. With the D-Fi Hub 2 disconnected from power, press and hold **<Mode>** while inserting the USB-C power connector. A single channel indicator light will turn on when the product is ready for a firmware update.
2. Plug the flash drive into the product's firmware update USB port. The firmware should begin updating automatically.
3. Once the firmware has been successfully updated, the status indicator light will flash green to indicate the current firmware version. For example, two flashes indicates the installed firmware is version 2.



- **Place the .chl file in the root directory of the USB drive.**
- **The product's USB port supports up to 32GB capacity and only works with FAT32 file format.**



To determine the current firmware version of the D-Fi Hub 2, connect the product to power and count the number of flashes.

5. Technical Specifications

Dimensions and Weight

Length	Width	Height	Weight
3.9 in (100 mm)	3.4 in (86.4 mm)	1.6 in (41 mm)	0.2 lb (0.1 kg)

Note: Dimensions in inches are rounded.

Power

Power Supply Type	Range	Voltage Selection
External	100 to 240 VAC, 50/60 Hz	5 VDC, 2 A

Power I/O	U.S./Worldwide	UK/Europe
Power input connector	USB-C	USB-C
Power output connector	USB-C	USB-C
Power cable plug	Edison (U.S.)	Local Plug

Wireless

Max Unobstructed Distance	Operating Frequency
656 ft (200 m)	2.412 to 2.484 GHz

Thermal

Maximum External Temperature	Cooling System
104 °F (40 °C)	Convection

DMX

I/O Connector
3-pin XLR

Ordering

Product Name	Item Code	UPC Number
D-Fi Hub 2	10082687	781462230357



Contact Us

General Information	Technical Support
Chauvet World Headquarters	
Address: 3360 Davie Rd., Suite 509 Davie, FL 33314 Voice: (954) 577-4455 Fax: (954) 929-5560 Toll Free: (800) 762-1084	Voice: (844) 393-7575 Fax: (954) 756-8015 Email: chauvetcs@chauvetlighting.com Website: www.chauvetdj.com
Chauvet U.K.	
Address: Pod 1 EVO Park Little Oak Drive, Sherwood Park Nottinghamshire, NG15 0EB UK Voice: +44 (0) 1773 511115 Fax: +44 (0) 1773 511110	Email: UKtech@chauvetlighting.eu Website: www.chauvetdj.eu
Chauvet Benelux	
Address: Vaartlaan 9 9800 Deinze Belgium Voice: +32 9 388 93 97	Email: BNLtech@chauvetlighting.eu Website: www.chauvetdj.eu
Chauvet France	
Address: 3, Rue Ampère 91380 Chilly-Mazarin France Voice: +33 1 78 85 33 59	Email: FRtech@chauvetlighting.fr Website: www.chauvetdj.eu
Chauvet Germany	
Address: Bruno-Bürgel-Str. 11 28759 Bremen Germany Voice: +49 421 62 60 20	Email: DEtech@chauvetlighting.de Website: www.chauvetdj.eu
Chauvet Mexico	
Address: Av. de las Partidas 34 - 3B (Entrance by Calle 2) Zona Industrial Lerma Lerma, Edo. de México, CP 52000 Voice: +52 (728) 690-2010	Email: servicio@chauvet.com.mx Website: www.chauvetdj.mx

Warranty & Returns

For warranty terms and conditions and return information, please visit our website.

For customers in the United States and Mexico: www.chauvetlighting.com/warranty-registration.

For customers in the United Kingdom, Republic of Ireland, Belgium, the Netherlands, Luxembourg, France, and Germany: www.chauvetlighting.eu/warranty-registration.